

United States Patent [19]
Akerfeldt

[11] **Patent Number: Des. 306,070**
 [45] **Date of Patent: ** Feb. 13, 1990**

[54] **NEEDLE HEAD FOR BIOPSY CANNULA**

[75] **Inventor: Dan Åkerfeldt, Uppsala, Sweden**

[73] **Assignee: C. R. Bard, Inc., Murray Hill, N.J.**

[**] **Term: 14 Years**

[21] **Appl. No.: 28,322**

[22] **Filed: Mar. 20, 1987**

[52] **U.S. Cl. D24/25**

[58] **Field of Search D24/24, 25; 128/754, 128/751**

[56] **References Cited**

U.S. PATENT DOCUMENTS

1,867,624	7/1932	Hoffman	128/754
3,175,554	3/1965	Stewart	128/754
3,995,619	12/1976	Glatzer	
4,178,810	12/1979	Takahashi	
4,476,864	10/1984	Tezel	128/755
4,570,632	2/1986	Woods	128/751
4,600,014	7/1986	Beraha	128/754
4,609,370	9/1986	Morrison	128/754 X
4,685,904	8/1987	Krebs	128/754 X
4,702,261	10/1987	Cornell et al.	

4,735,215	4/1988	Goto et al.	
4,766,907	8/1988	de Groot et al.	
4,776,346	10/1988	Beraha et al.	

FOREIGN PATENT DOCUMENTS

0010321	4/1980	European Pat. Off.	128/754
0141108	4/1980	Fed. Rep. of Germany	128/754
175611	3/1966	U.S.S.R.	128/754

Primary Examiner—A. Hugo Word

Assistant Examiner—Stella M. Reid

Attorney, Agent, or Firm—Jones, Askew & Lunsford

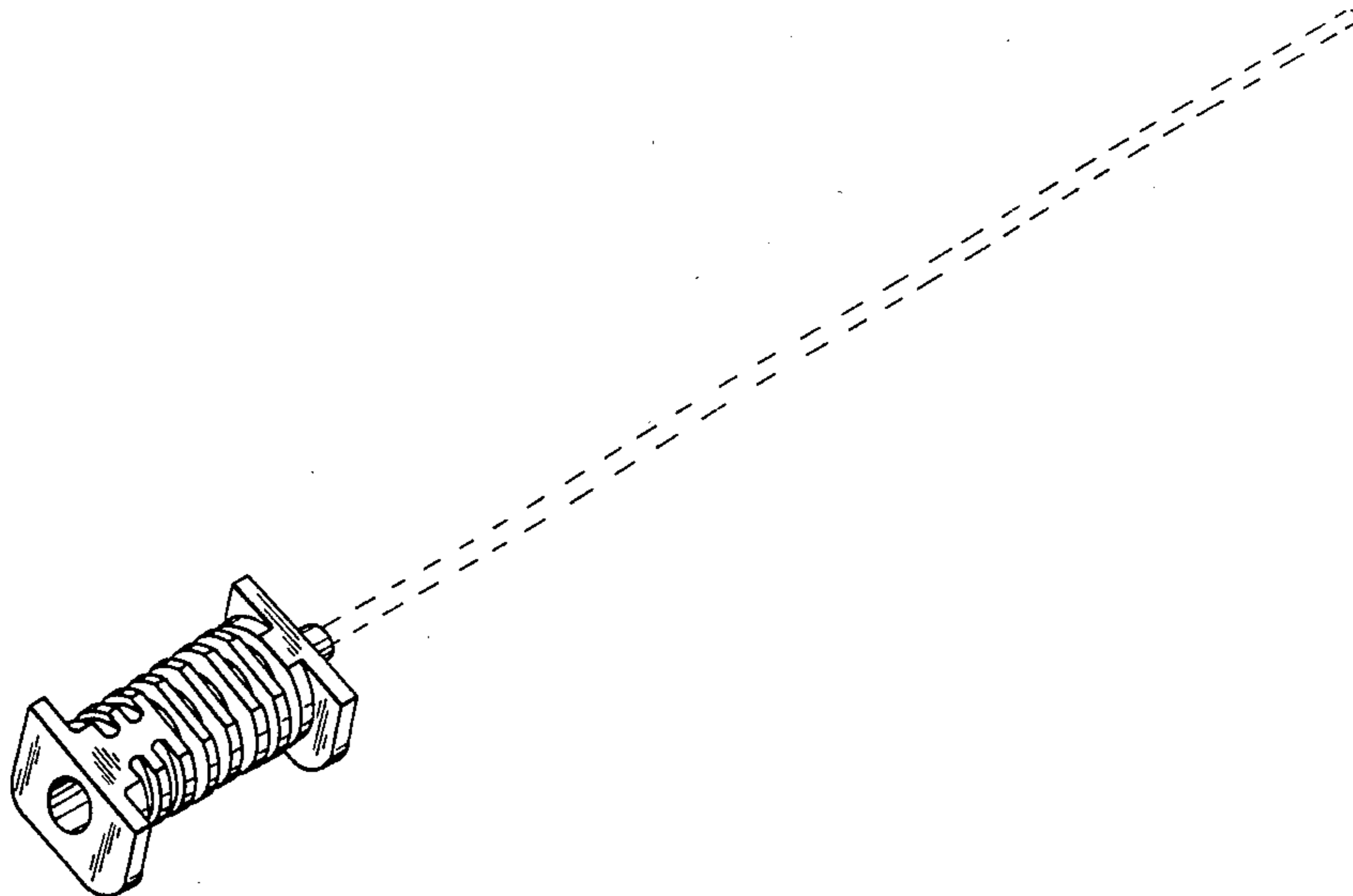
[57] **CLAIM**

The ornamental design for a needle head for biopsy cannula, as shown and described.

DESCRIPTION

FIG. 1 is a top perspective view of a needle head for biopsy cannula, showing my new design; FIG. 2 is a bottom perspective view thereof; and FIG. 3 is an elevational view of the end opposite that shown in FIGS. 1 and 2.

The broken line showing of the cannula in FIGS. 1 and 2 is for illustrative purposes only and forms no part of the claimed design.



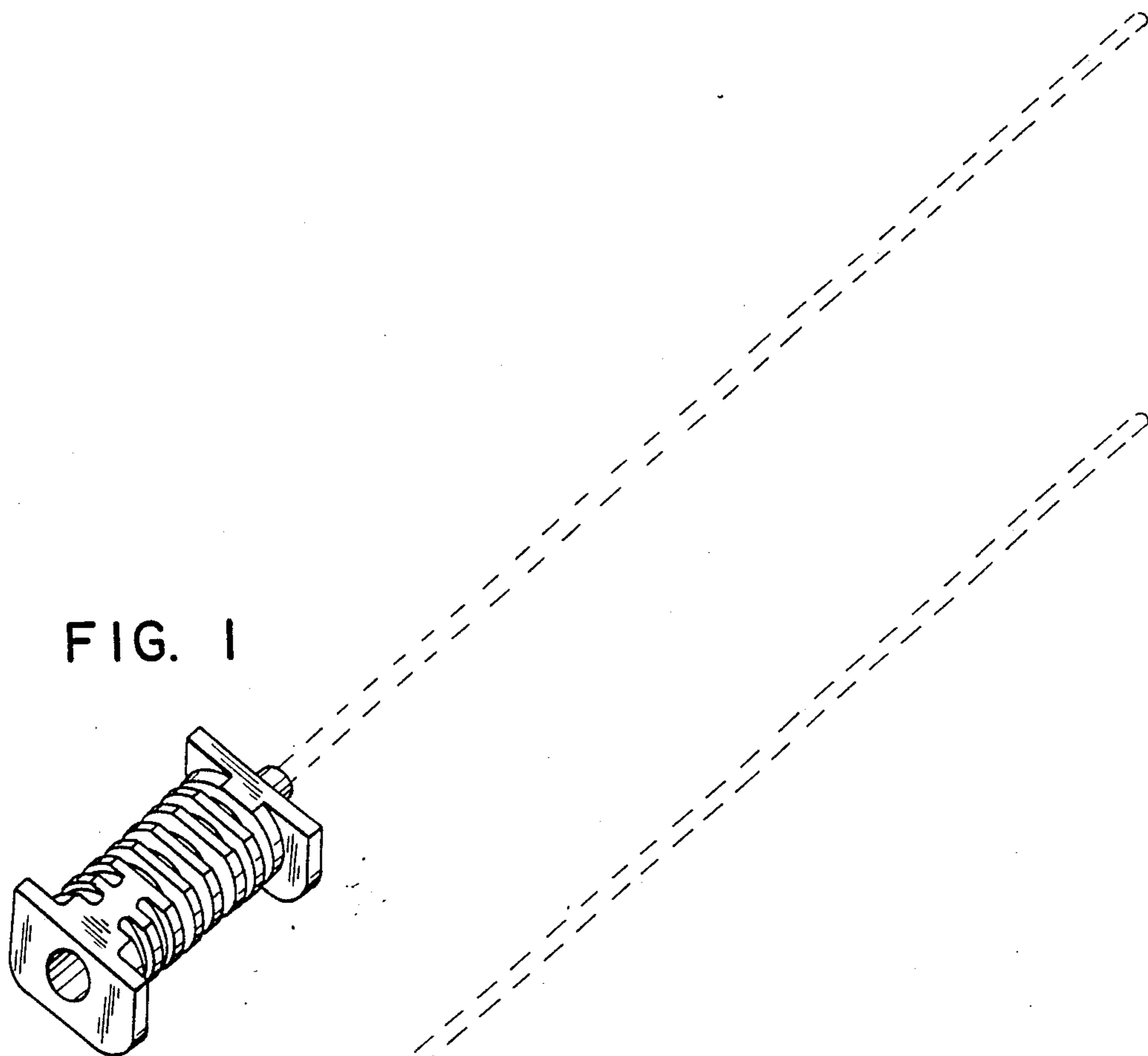


FIG. 1

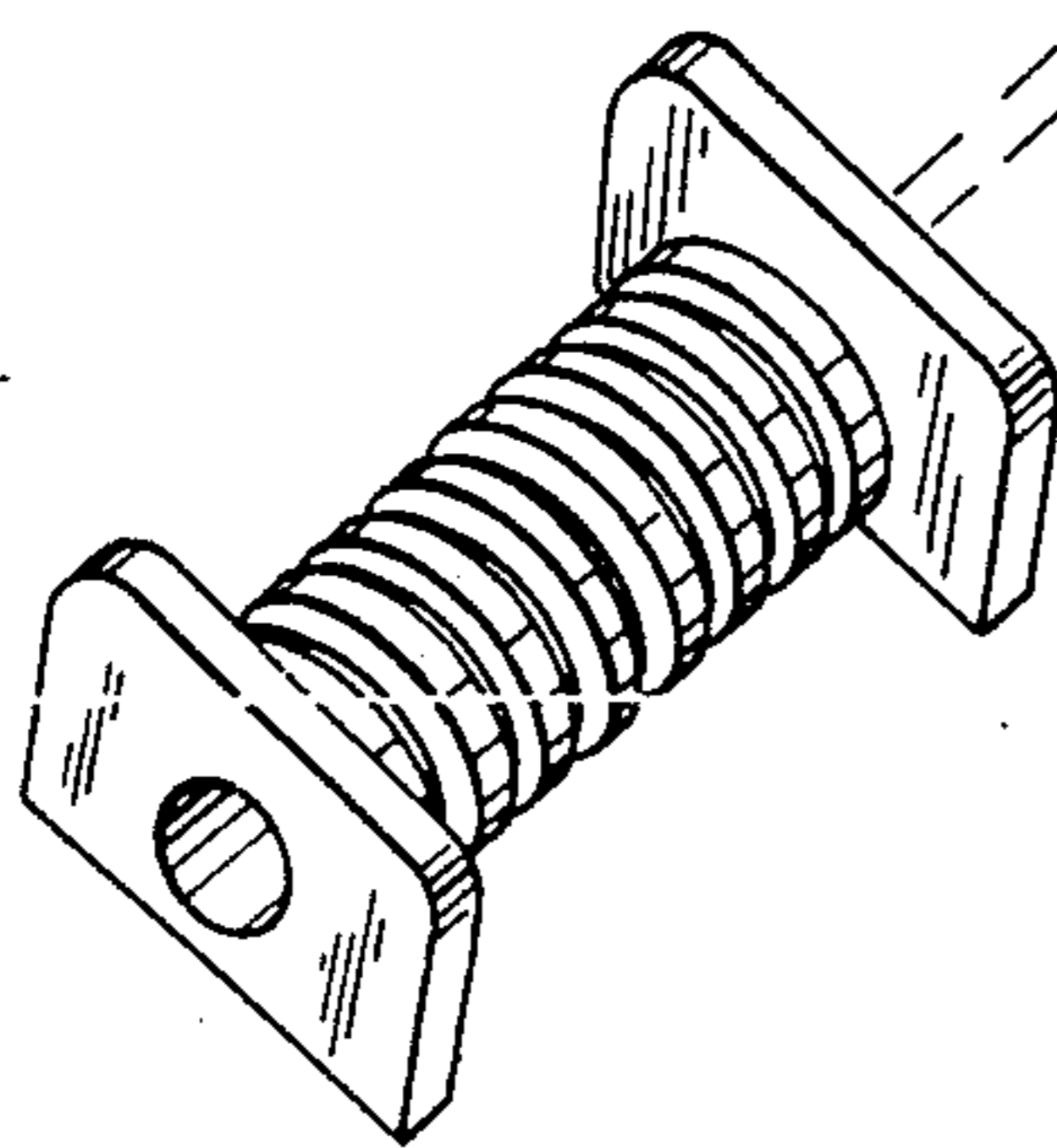


FIG. 2

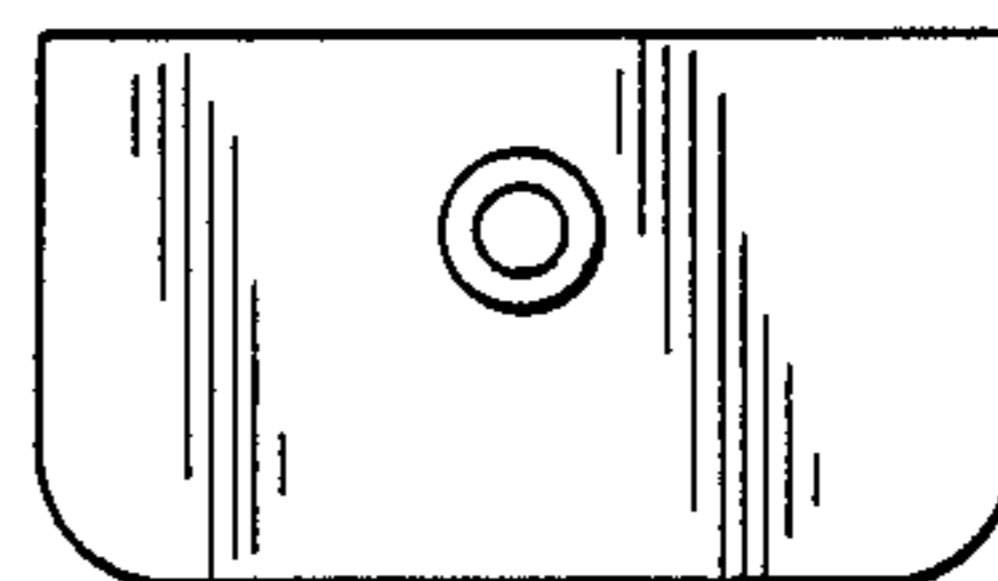


FIG. 3

Disclaimer

Des. 306,070.—*Dan Akerfeldt*, Uppsala, Sweden. NEEDLE HEAD FOR BIOPSY CANNULA. Patent dated Feb. 13, 1989. Disclaimer filed July 27, 1990, by the assignee, C.R. Bard, Inc.

Hereby enters this disclaimer to the claim of said patent.

[*Official Gazette October 9, 1990*]