

United States Patent [19]

Kelly et al.

[11] Patent Number: Des. 306,069

[45] Date of Patent: ** Feb. 13, 1990

[54] MEDICAL SYRINGE

[75] Inventors: William M. Kelly, Beavercreek;
Thomas Jay, Kettering; Robert F.
Freund, Centerville, all of Ohio

[73] Assignee: Freund Medical Products, Inc.,
Dayton, Ohio

[**] Term: 14 Years

[21] Appl. No.: 67,697

[22] Filed: Jun. 29, 1987

[52] U.S. Cl. D24/24

[58] Field of Search D24/24, 25, 14;
604/227, 143, 201, 207, 220, 240

[56] References Cited

U.S. PATENT DOCUMENTS

D. 202,754 11/1965 Naftolin D24/24
1,798,116 3/1931 Brockway 604/220

1,832,533 11/1931 Creasy 604/227
2,882,901 4/1959 Venezia 604/227
3,118,447 1/1964 Hunt et al. D24/24 X

Primary Examiner—Wallace R. Burke

Assistant Examiner—Stella M. Reid

Attorney, Agent, or Firm—Killworth, Gottman, Hagan
& Schaeff

[57] CLAIM

The ornamental design for a medical syringe, as shown
and described.

DESCRIPTION

FIG. 1 is a perspective view of a medical syringe show-
ing our new design;

FIG. 2 is a top plan view thereof;

FIG. 3 is a bottom plan view thereof;

FIG. 4 is a front elevational view thereof;

FIG. 5 is a right side elevational view thereof;

FIG. 6 is a back elevational view thereof; and

FIG. 7 is a left side elevational view thereof.

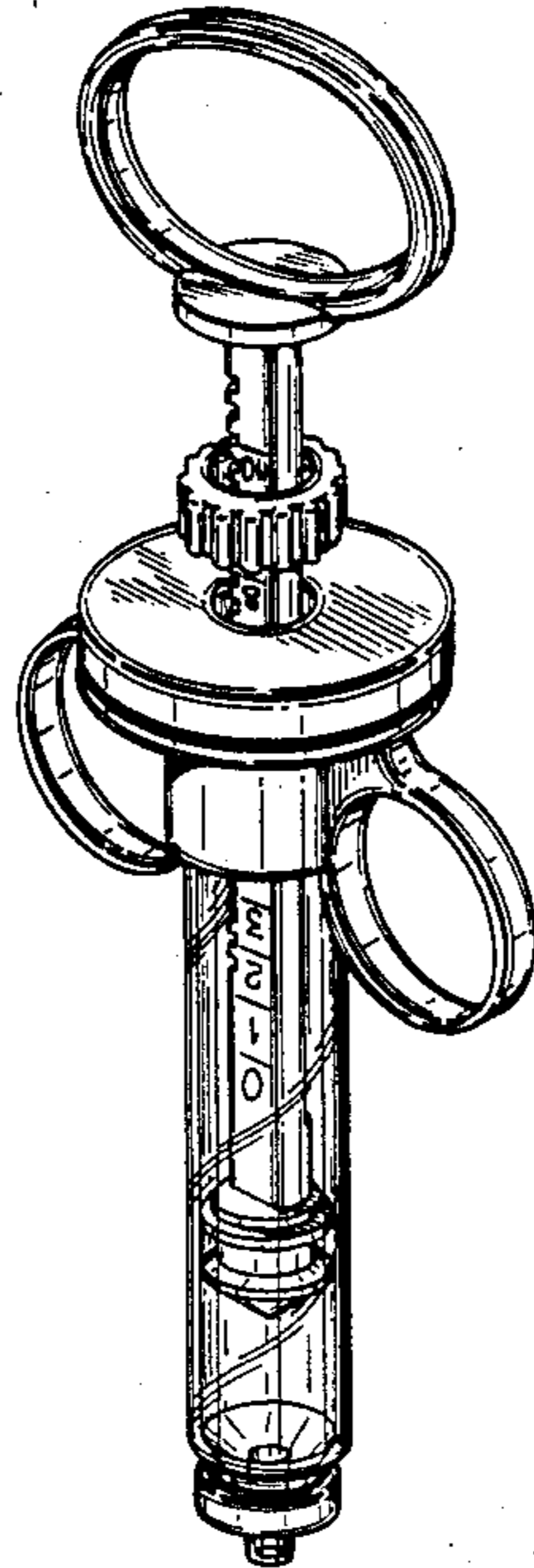


FIG-1

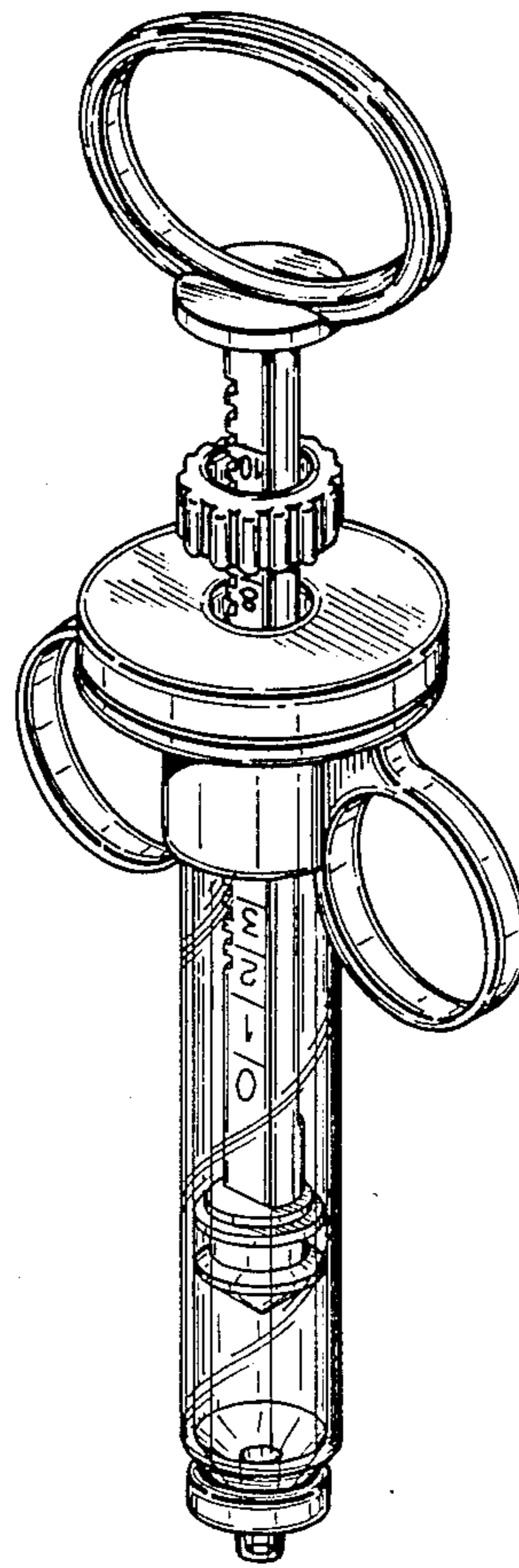


FIG-2

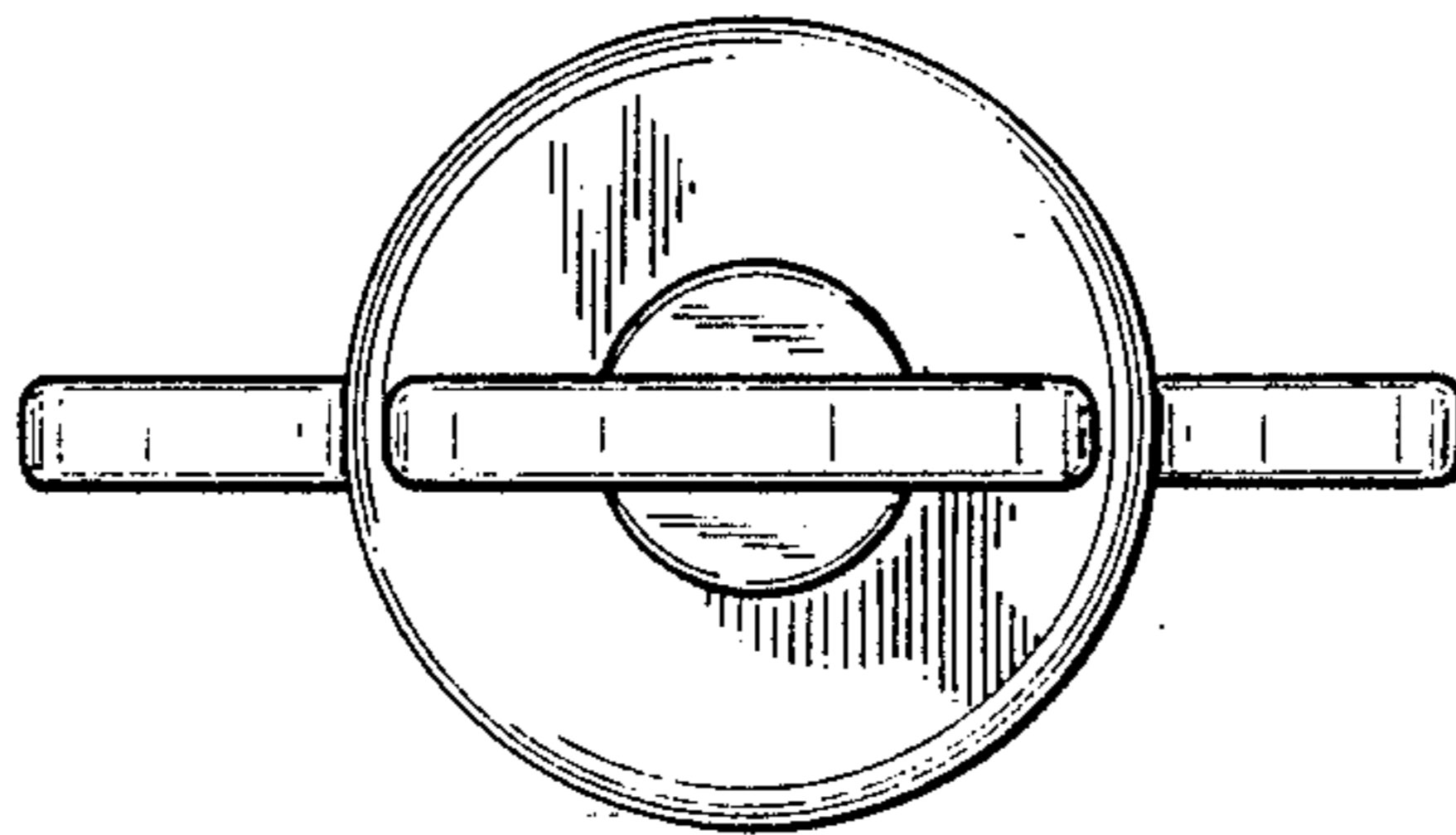


FIG-3

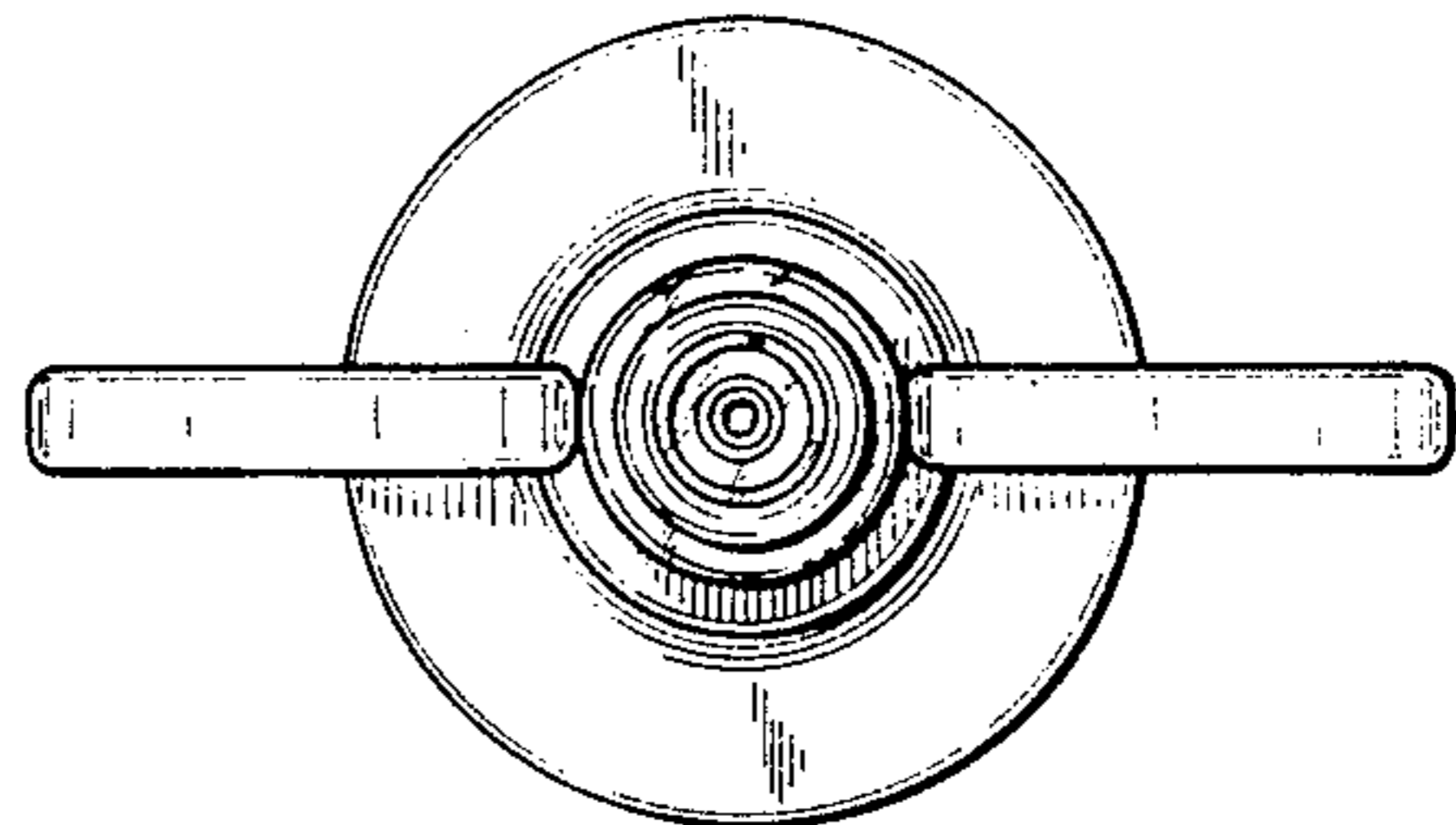


FIG-4

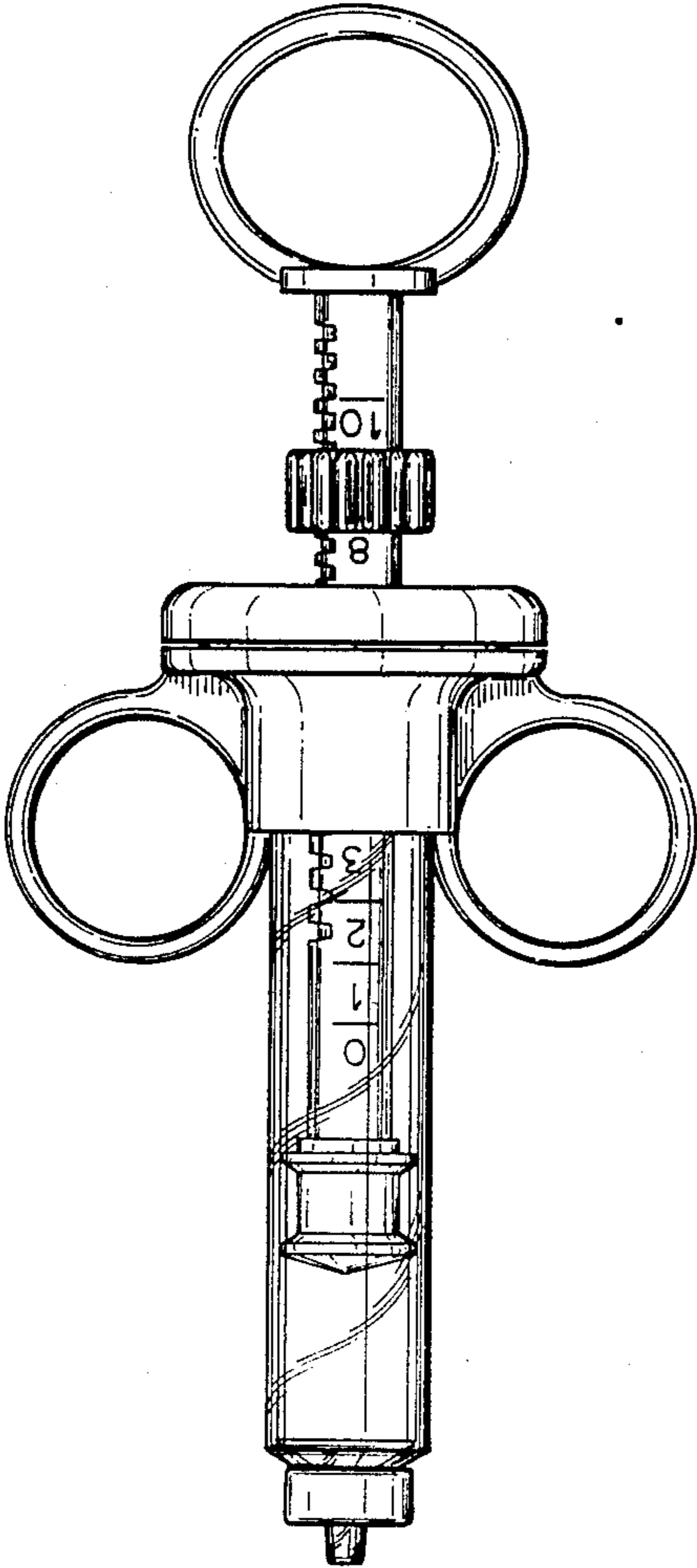


FIG-5

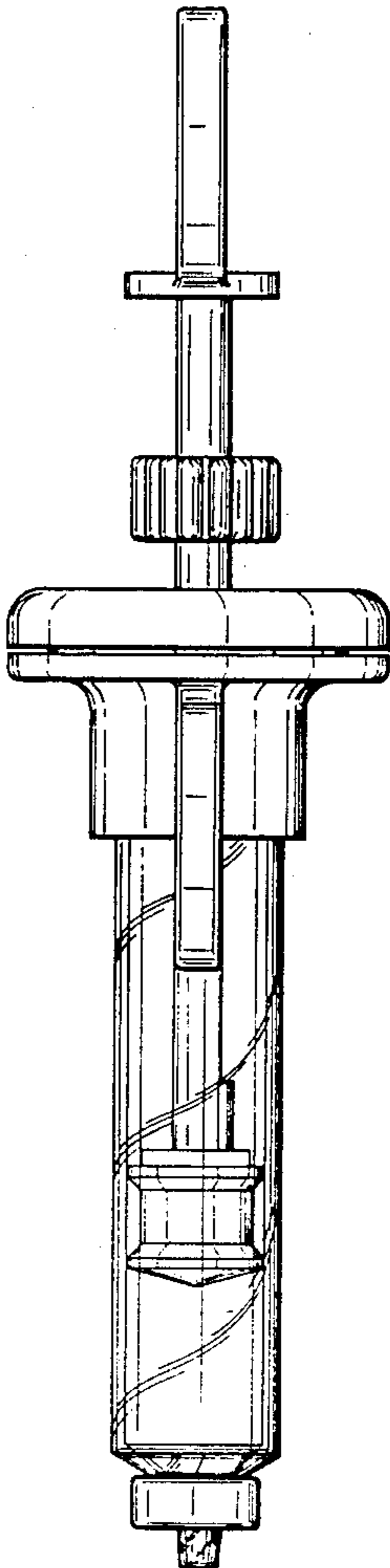


FIG-6

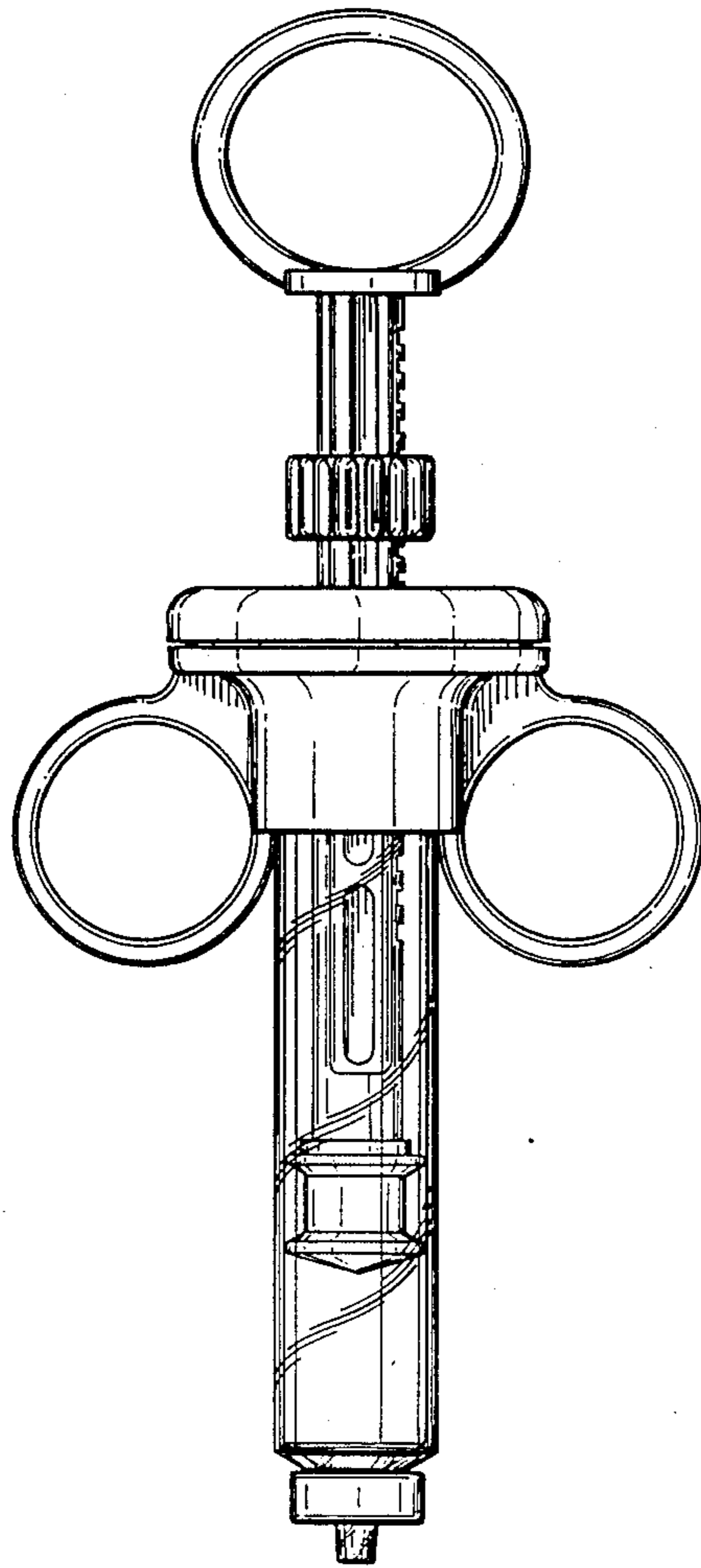


FIG-7

