

[54] DISPENSER CASSETTE OR THE LIKE FOR DISPENSING DOSES OF STERILIZING LIQUID

[75] Inventors: Harold R. Williams, San Clemente; Charles W. Howlett, San Juan Capistrano, both of Calif.

[73] Assignee: Surgikos, Inc., Arlington, Tex.

[**] Term: 14 Years

[21] Appl. No.: 320,724

[22] Filed: Mar. 8, 1989

[52] U.S. Cl. D24/9

[58] Field of Search D24/9, 51; 206/370, 206/366, 368, 484, 531, 538; 210/300; 422/310, 300; 222/82, 81, 94, 95; 128/203.15

[56] References Cited

U.S. PATENT DOCUMENTS

D. 250,543 12/1978 Lewis D24/9

D. 295,074 4/1988 Jerge et al. D24/9
D. 295,075 4/1988 Jerge et al. D24/9

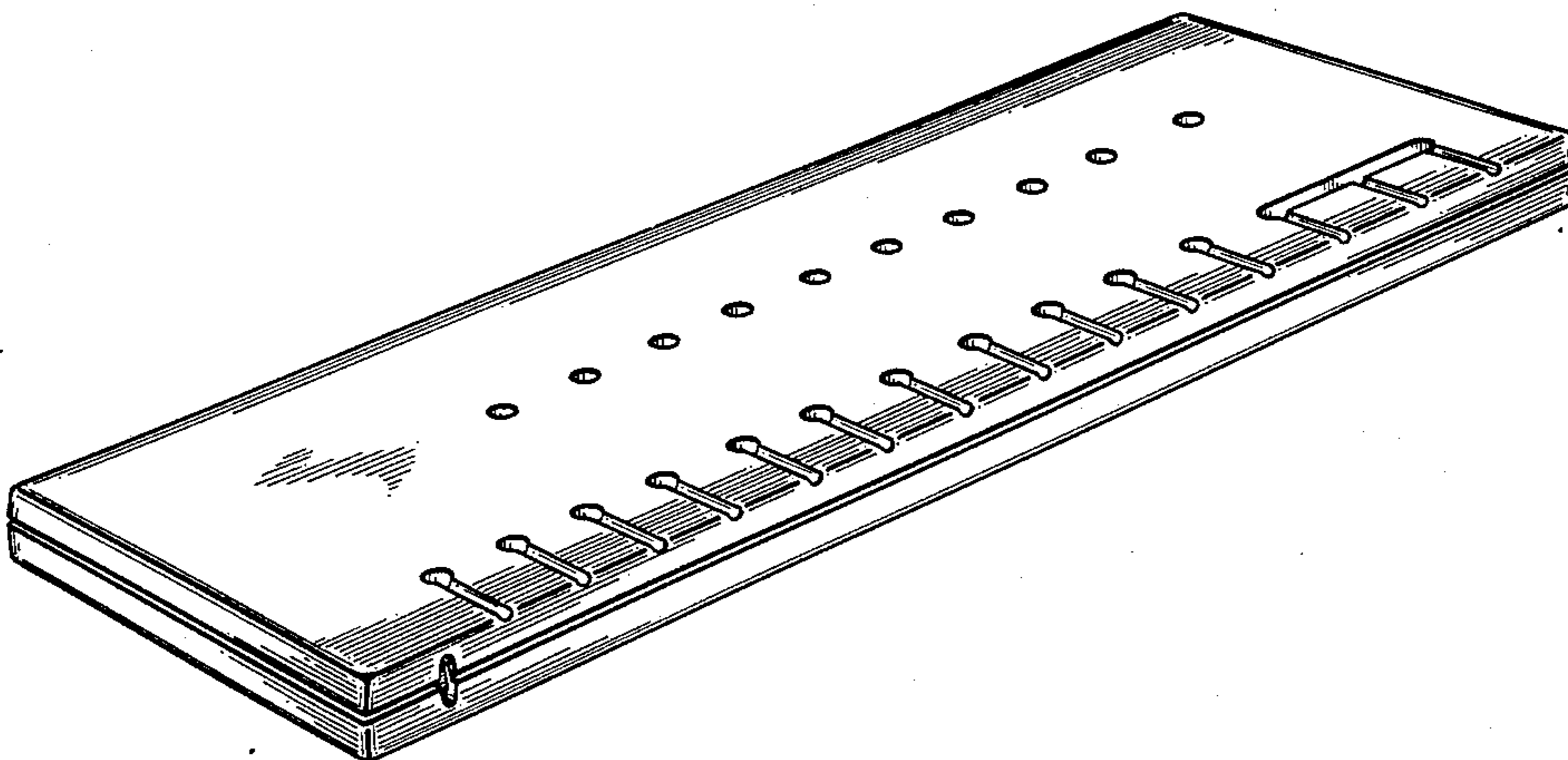
Primary Examiner—A. Hugo Word
Assistant Examiner—Stella M. Reid
Attorney, Agent, or Firm—Joseph F. Shirtz

[57] CLAIM

The ornamental design for a dispenser cassette or the like for dispensing doses of sterilizing liquid, as shown and described.

DESCRIPTION

FIG. 1 is a top, front perspective view of a dispenser cassette or the like for dispensing doses of sterilizing liquid showing our new design; FIG. 2 is a side elevational view thereof, the opposite side being identical thereto; FIG. 3 is a top plan view thereof; FIG. 4 is a front elevational view thereof; FIG. 5 is a bottom plan view thereof; and FIG. 6 is a back elevational view thereof.



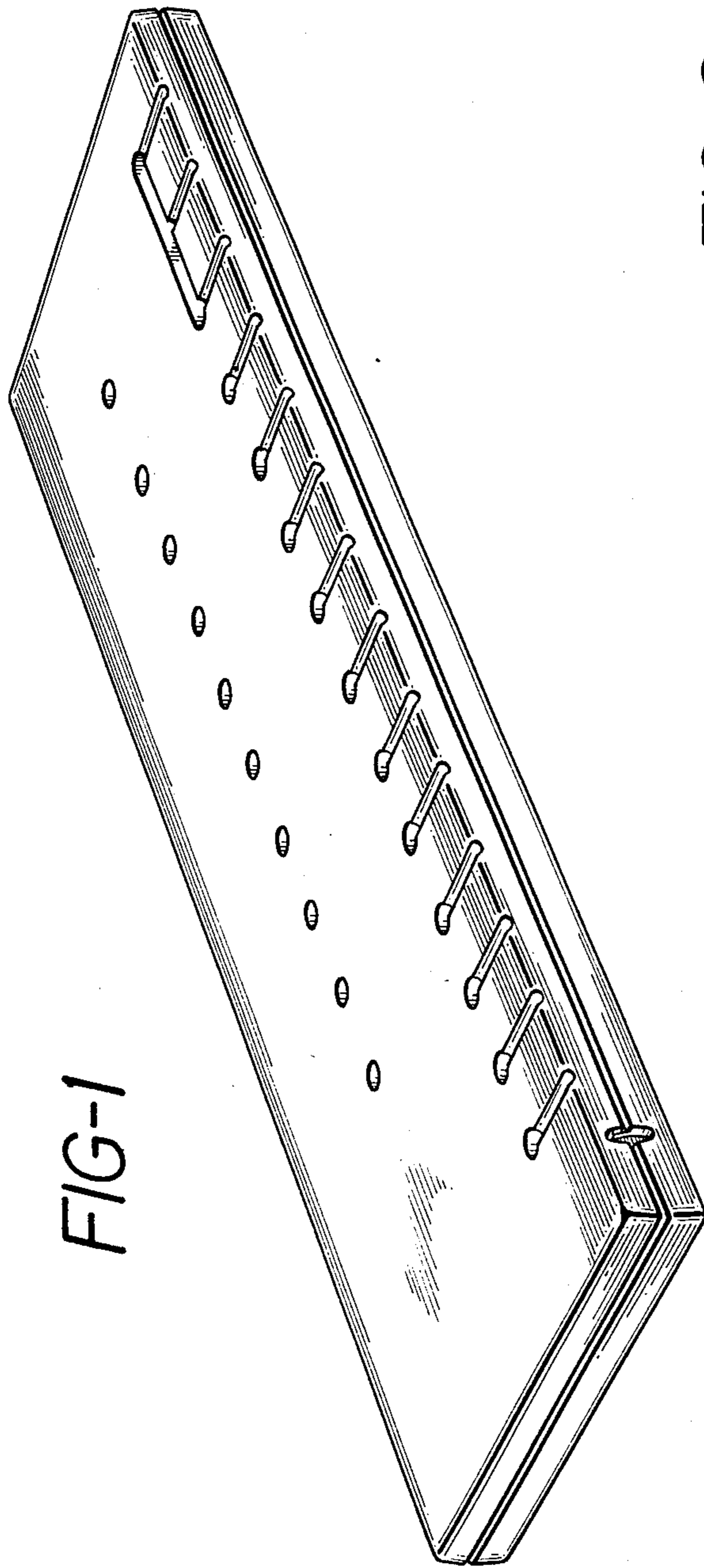


FIG-1

FIG-2



FIG-3

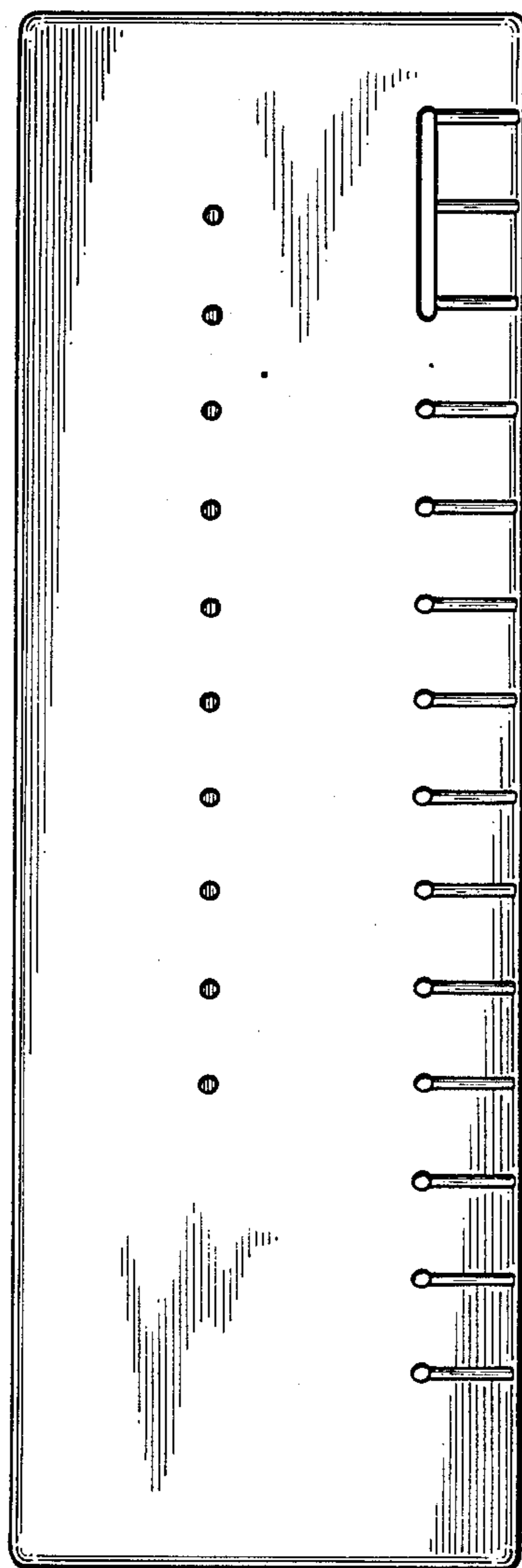


FIG-4



FIG-5

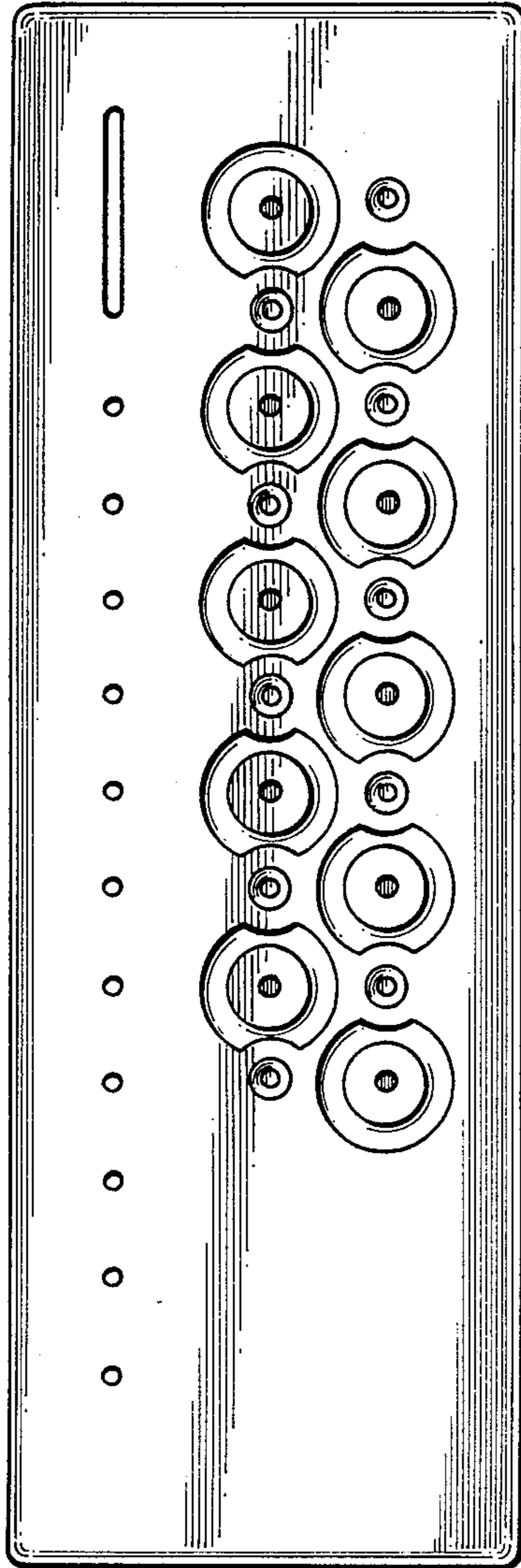


FIG-6

