

United States Patent [19]

Bartlett et al.

[11] Patent Number: Des. 306,064

[45] Date of Patent: ** Feb. 13, 1990

[54] CONVECTION BLOWER OR SIMILAR ARTICLE FOR USE IN AN ELECTRIC OVEN

[75] Inventors: William L. Bartlett, Santa Barbara; David A. Weir, Santa Ynez, both of Calif.

[73] Assignee: Zephyr Convection Cooking Systems Co., San Francisco, Calif.

[**] Term: 14 Years

[21] Appl. No.: 166,895

[22] Filed: Mar. 11, 1988

[52] U.S. Cl. D23/383; 415/224; 415/213.1

[58] Field of Search D23/383, 370; 415/224, 415/213.1; 219/400; 126/21 A

[56] **References Cited**

U.S. PATENT DOCUMENTS

2,584,090	1/1952	James	D23/370
2,774,293	3/1953	Jenn	98/42.13
3,246,690	4/1966	Fry	165/64
3,590,803	7/1971	Saver	126/21 A
4,369,760	1/1983	Jorgensen et al.	126/21 A
4,561,416	12/1985	Loechner et al.	126/21 A

4,687,908 8/1987 Thorne 219/400

FOREIGN PATENT DOCUMENTS

0094816 11/1983 European Pat. Off. 126/21 A

Primary Examiner—Susan J. Lucas

Assistant Examiner—Lisa Lichtenstein

Attorney, Agent, or Firm—Flehr, Hohbach, Test, Albritton & Herbert

[57] **CLAIM**

The ornamental design for a convection blower or similar article for use in an electric oven, as shown and described.

DESCRIPTION

FIG. 1 is a top, front perspective view of a convection blower or similar article for use in an electric oven, showing our new design;

FIG. 2 is a top plan view thereof;

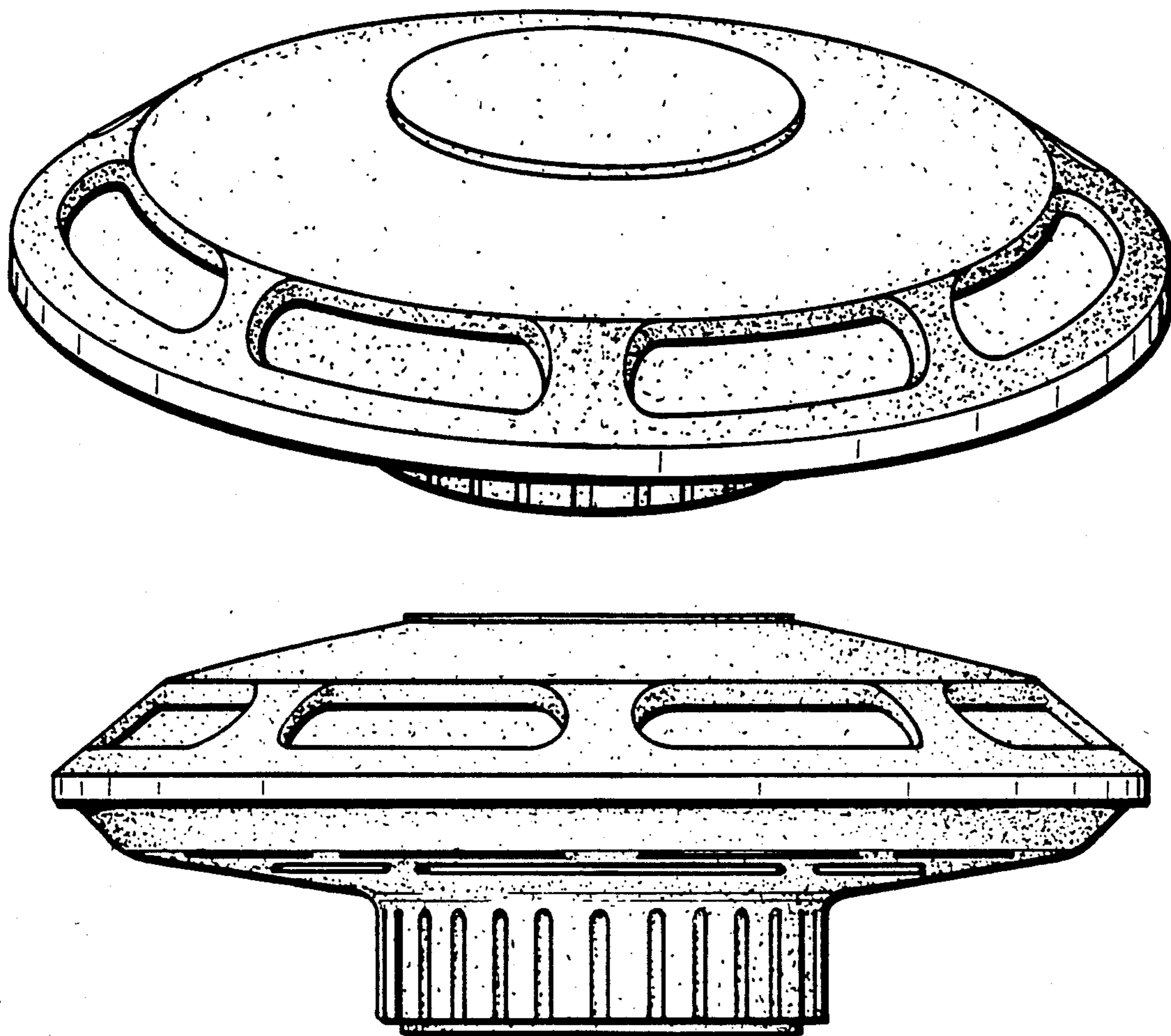
FIG. 3 is a front elevational view thereof;

FIG. 4 is a rear elevational view thereof;

FIG. 5 is a bottom plan view thereof; and

FIG. 6 is a right side elevation view thereof, the left side being a mirror image of that shown.

The left side of the convection blower is a mirror image of the right side illustrated in FIG. 6.



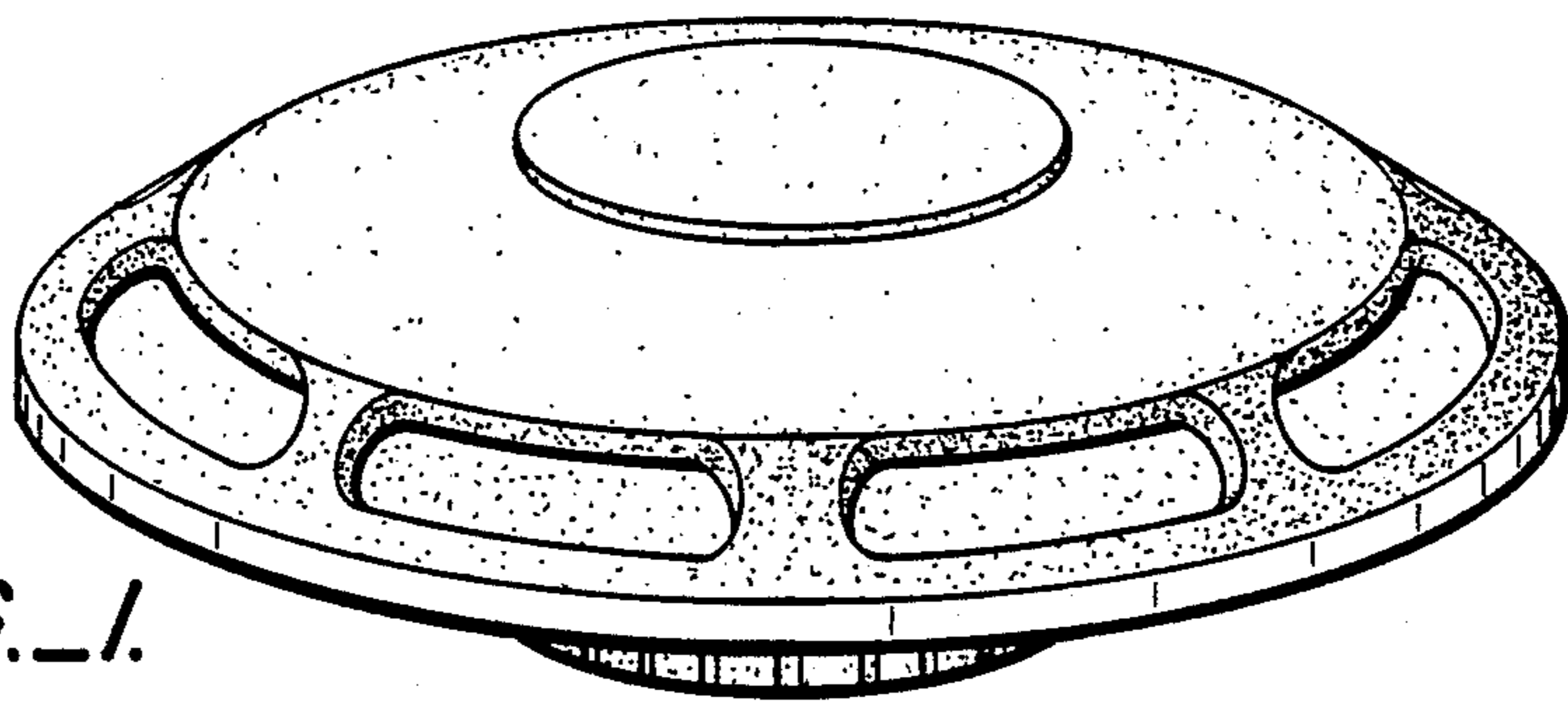


FIG. 1.

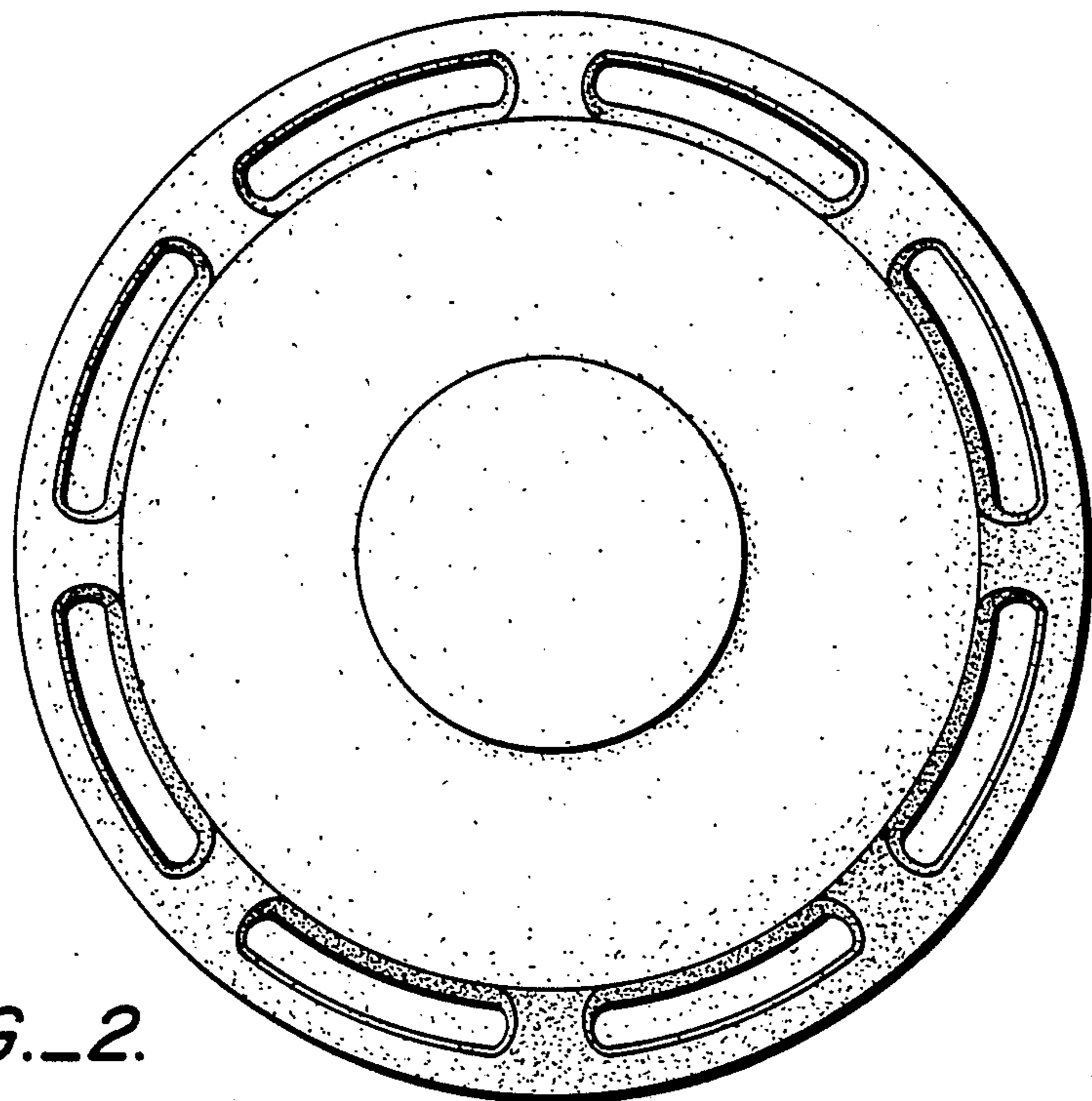


FIG. 2.

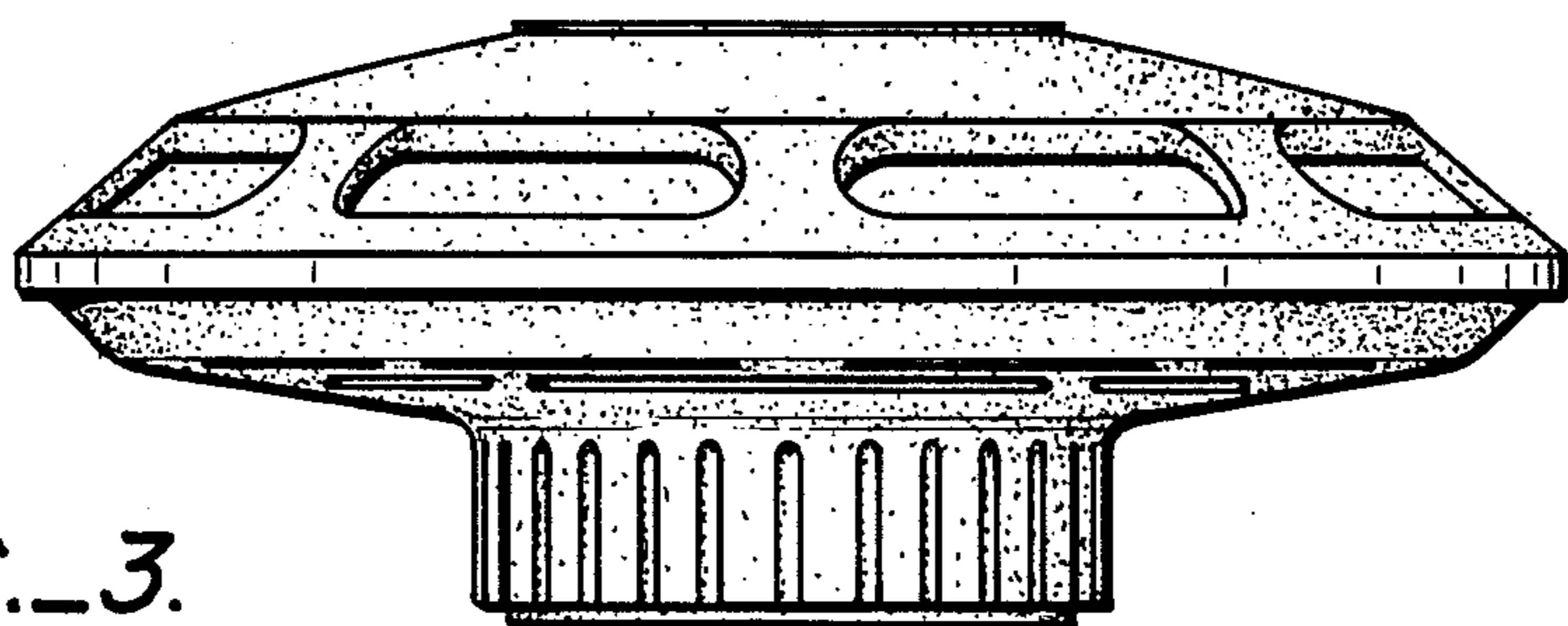


FIG. 3.

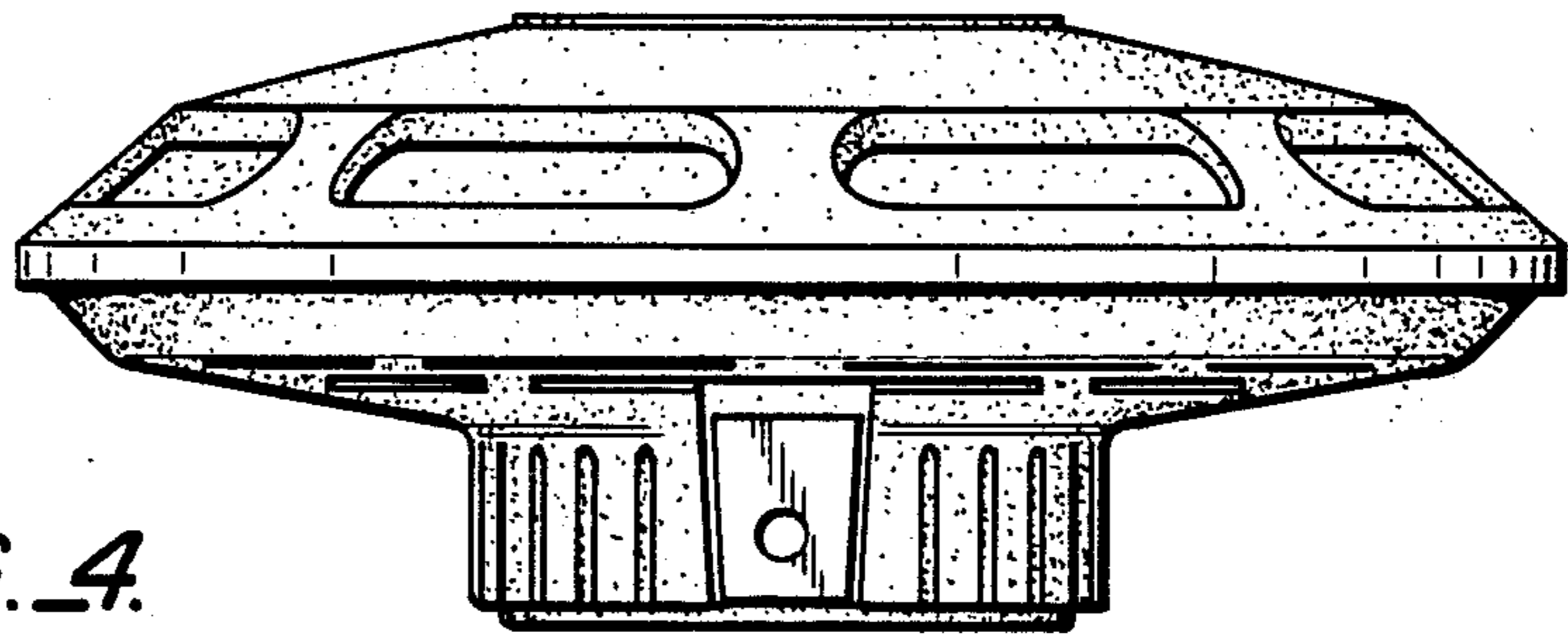


FIG. 4.

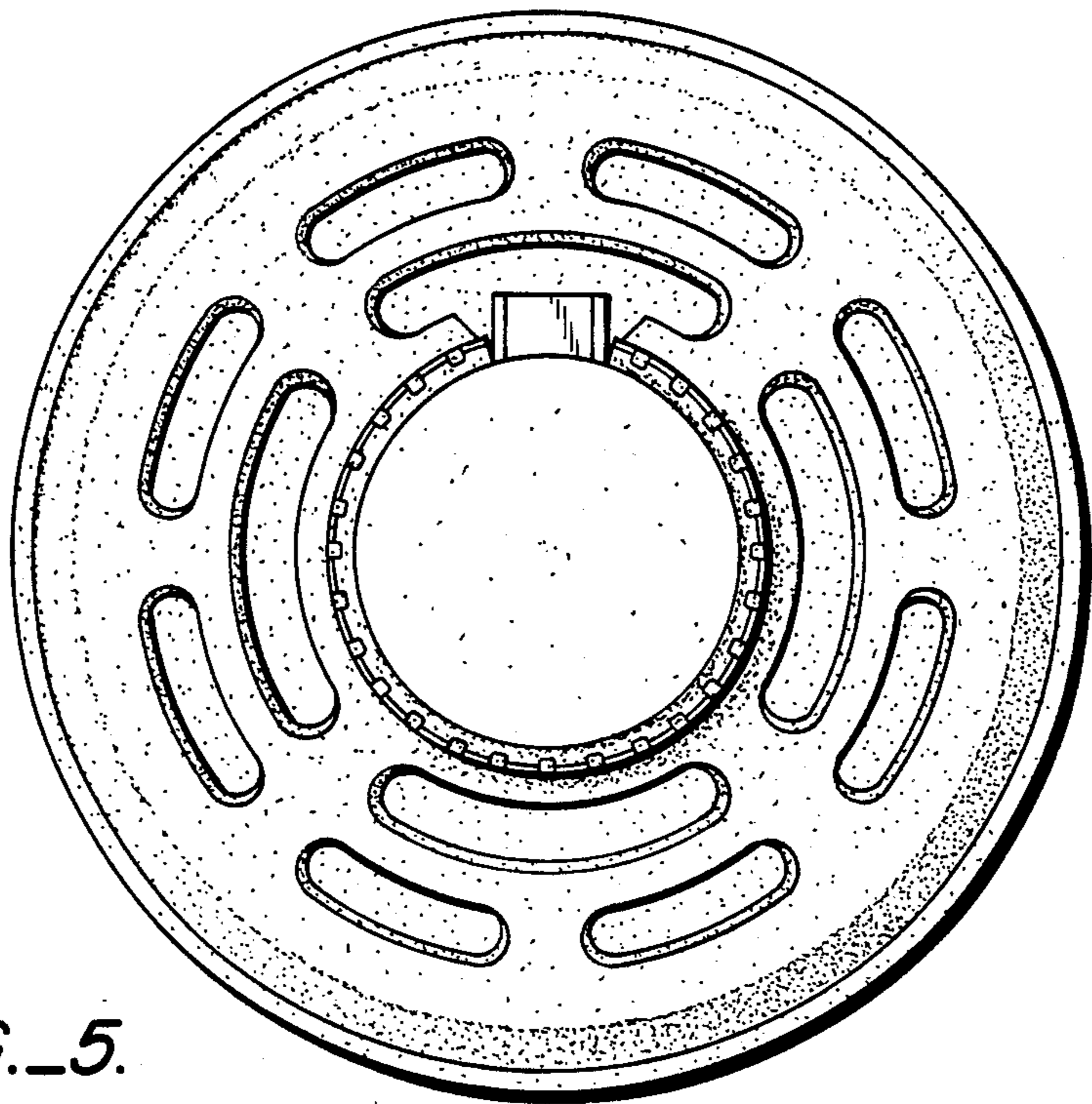


FIG. 5.

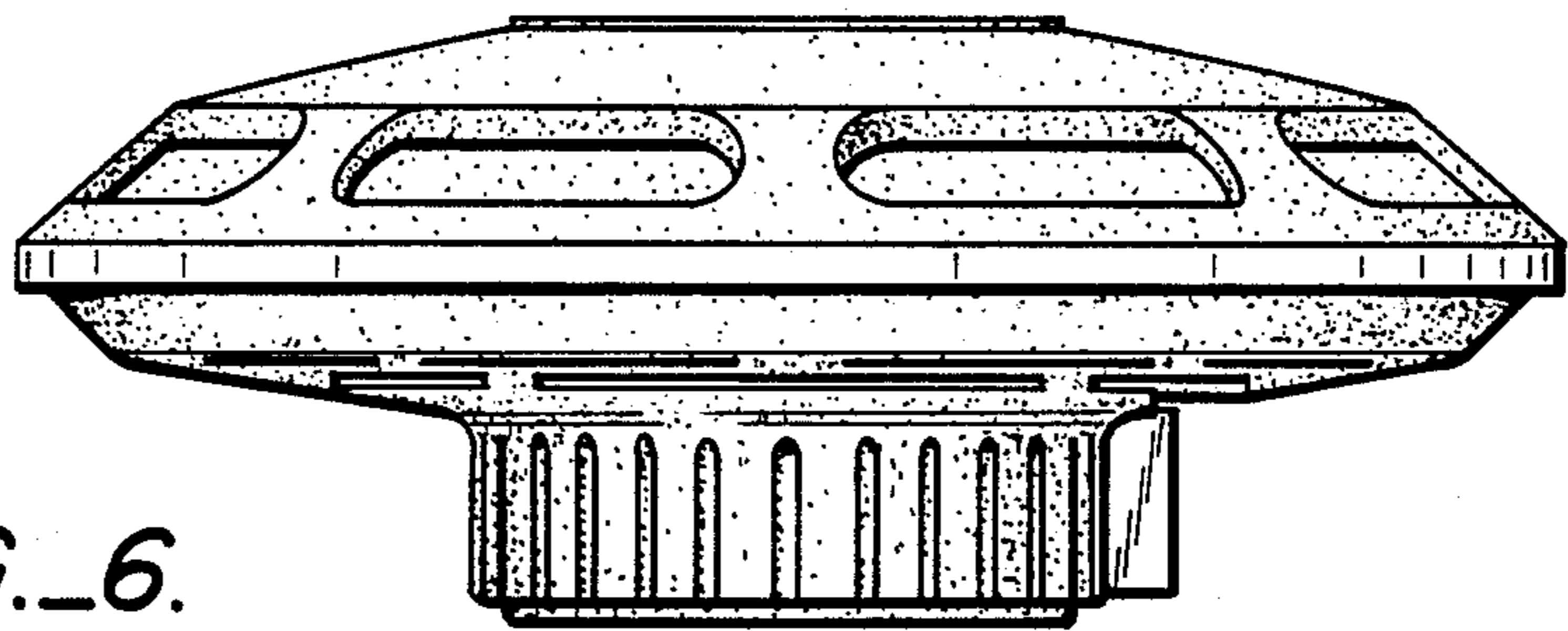


FIG. 6.