

[54] **GAS REGULATOR**

[75] **Inventors: Richard W. Miller, Denton; Roger D. Zwicker, Arlington, both of Tex.**

[73] **Assignee: Victor Equipment Company, Denton, Tex.**

[**] **Term: 14 Years**

[21] **Appl. No.: 858,293**

[22] **Filed: Apr. 30, 1986**

[52] **U.S. Cl. D23/235**

[58] **Field of Search D23/233-237, D23/244-249; 137/116.5, 505.26, 505.34, 505.42**

[56] **References Cited**

U.S. PATENT DOCUMENTS

D. 153,063	3/1949	Hammon	D23/235
D. 153,064	3/1949	Hammon	D23/235
D. 180,278	5/1957	Hammon	D23/235
D. 207,766	5/1967	Kpane	D23/245
D. 233,569	11/1974	Miller	D23/235 X
3,348,573	10/1964	Bradford	137/116.5 X
3,621,867	11/1971	Johnson	137/116.5
3,812,877	5/1974	Fleischhacker et al.	137/505.42
4,094,337	6/1978	Robinson	137/505.42

4,257,450	3/1981	Ollivier	137/505.42
4,450,858	5/1984	Acomb	137/505.42 X
4,516,595	5/1985	Acomb	137/505.42 X
4,679,582	7/1987	Zwieker	137/505.39 X
4,696,320	9/1987	Bull	137/116.5
4,719,940	1/1988	Beavers	137/505.39

OTHER PUBLICATIONS

Victor Apparatus and Equipment Master Catalog, Copyright 1982, Victor Equipment Company, pp. 84, 91, and 97.

Primary Examiner—James R. Largen

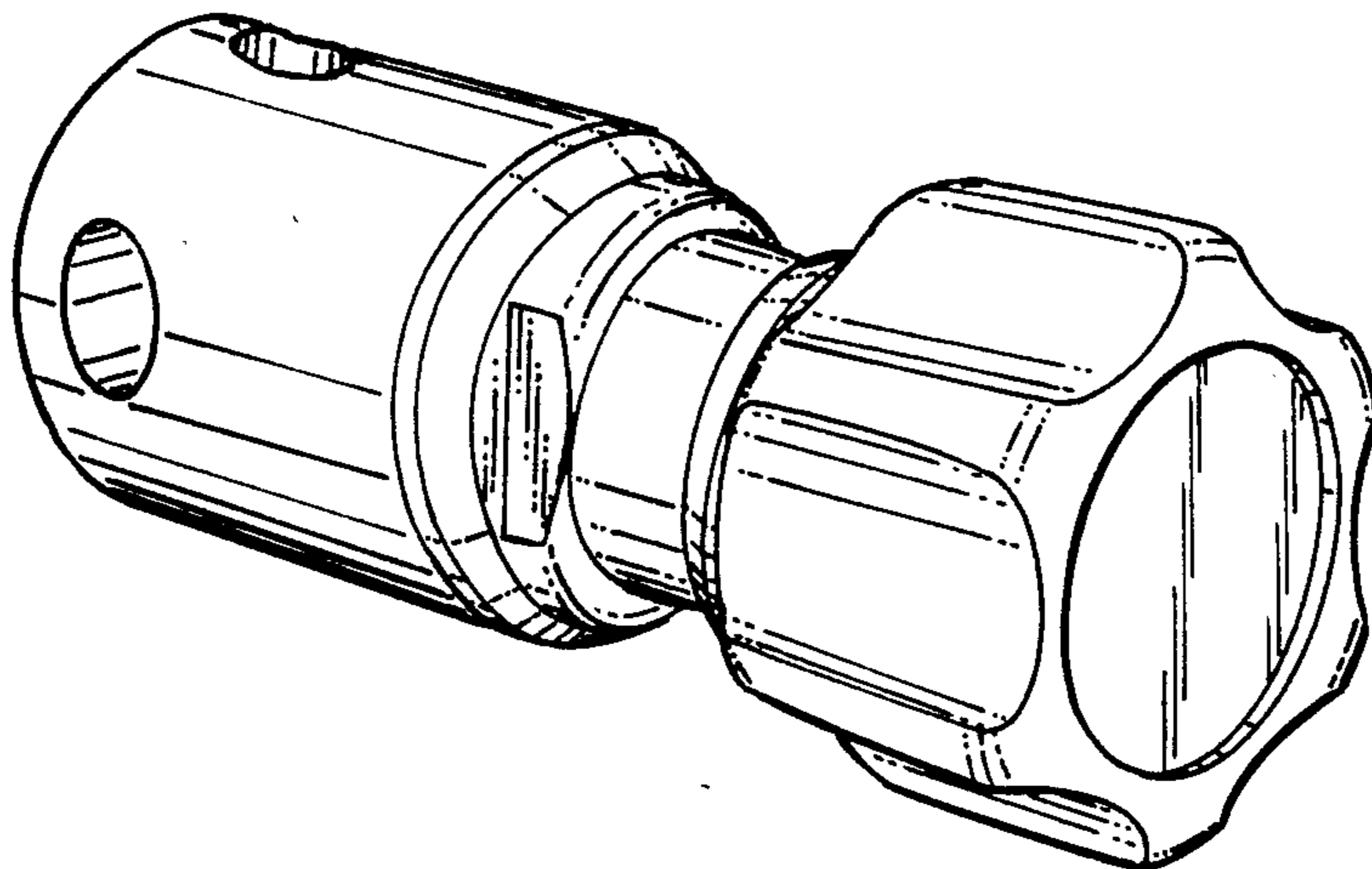
Attorney, Agent, or Firm—Majestic, Parsons, Siebert & Hsue

[57] **CLAIM**

The ornamental design of a gas regulator, as shown and described.

DESCRIPTION

FIG. 1 is a isometric view of a gas regulator showing our new design;
FIG. 2 is a front elevational view thereof;
FIG. 3 is a top plan view thereof;
FIG. 4 is a right side elevational view thereof;
FIG. 5 is a left side elevational view thereof;
FIG. 6 is a bottom plan view thereof; and
FIG. 7 is a rear elevational view thereof.



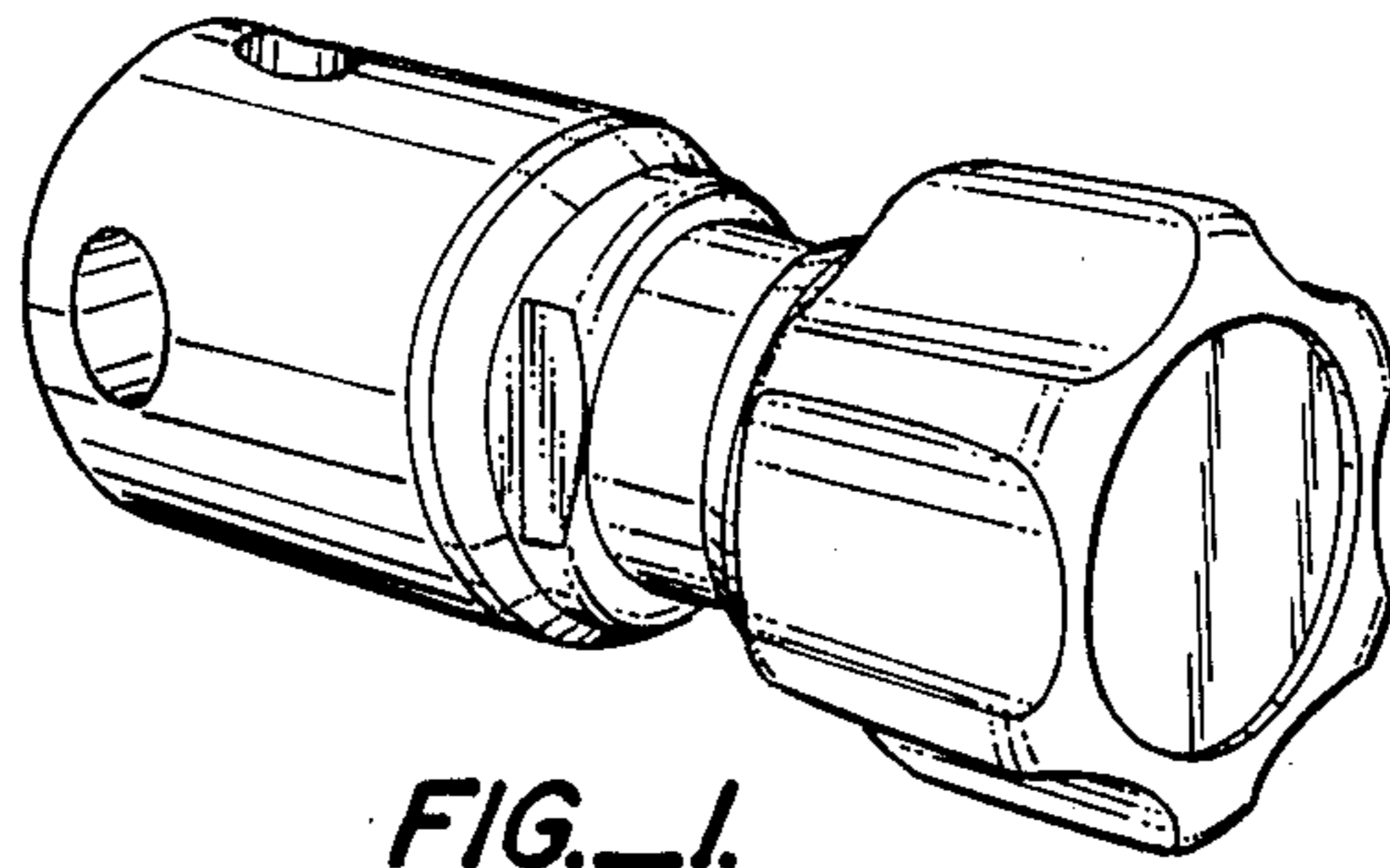


FIG. 1.

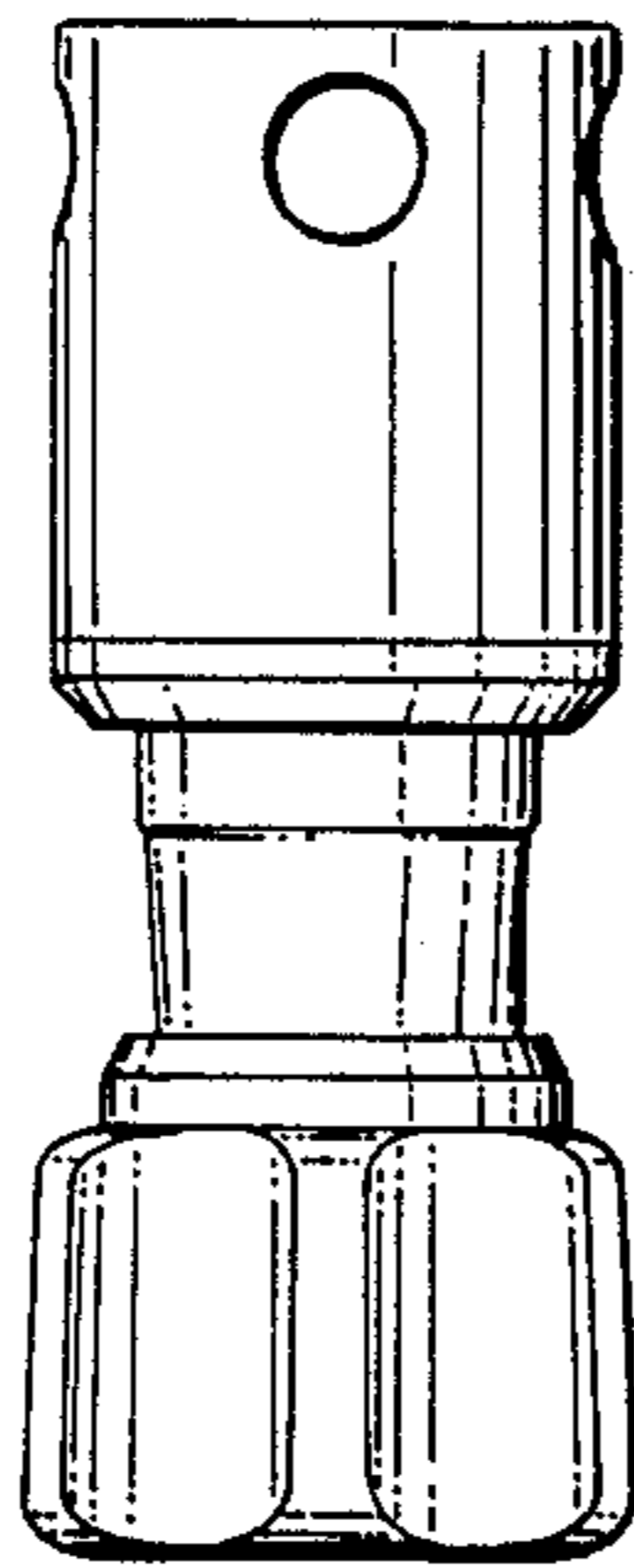


FIG. 3.

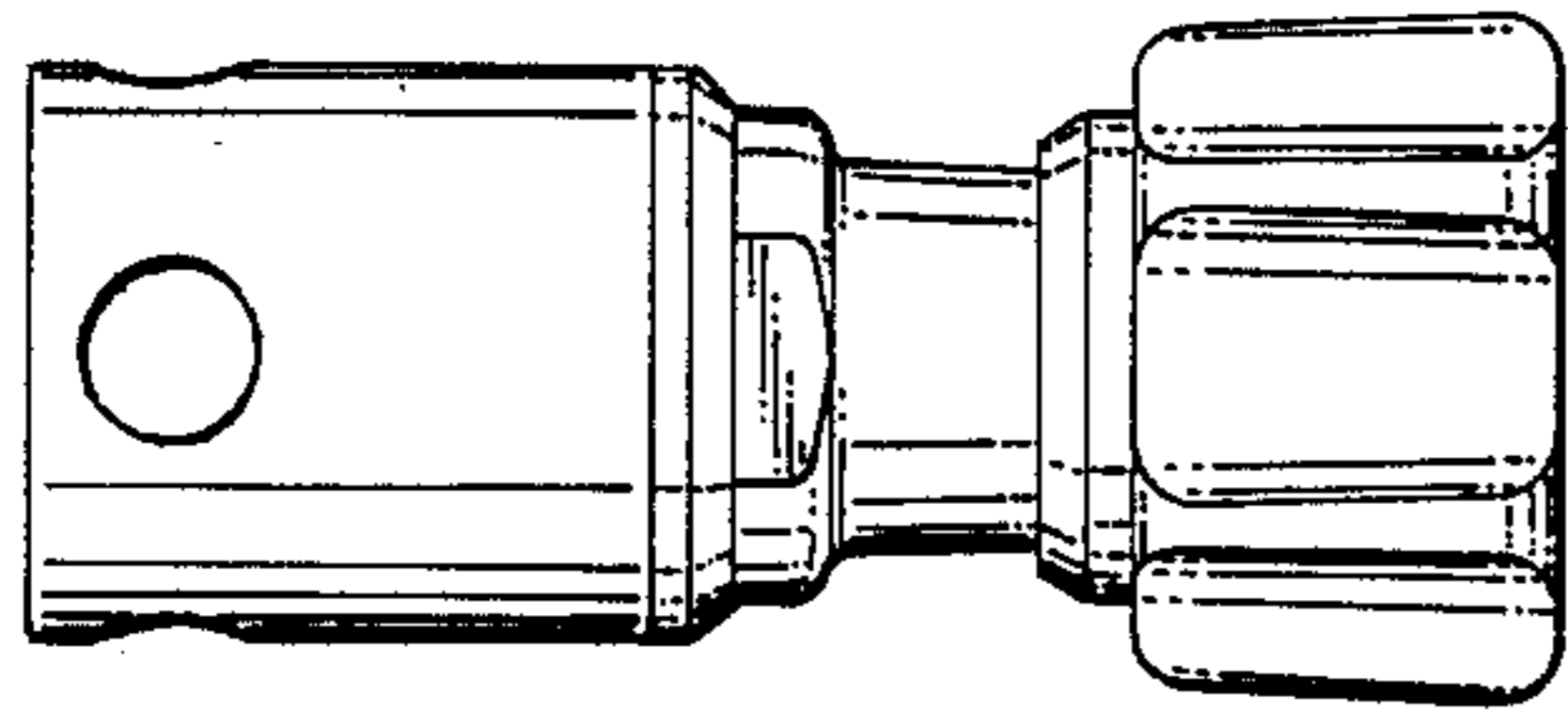


FIG. 5.

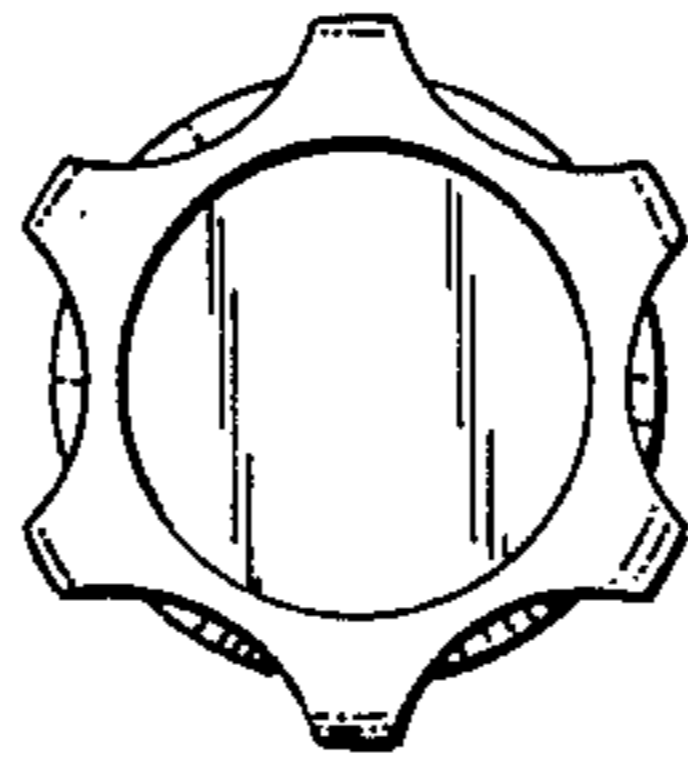


FIG. 2.

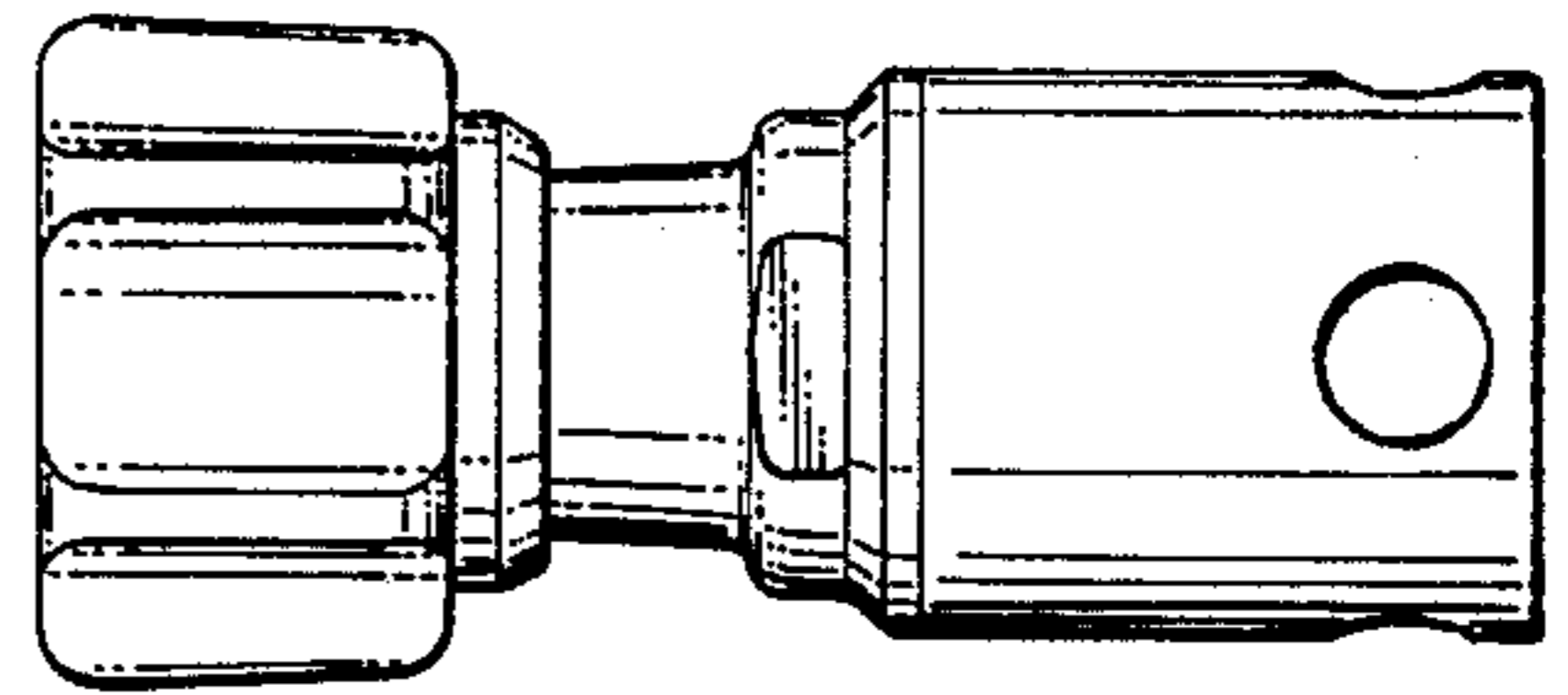


FIG. 4.

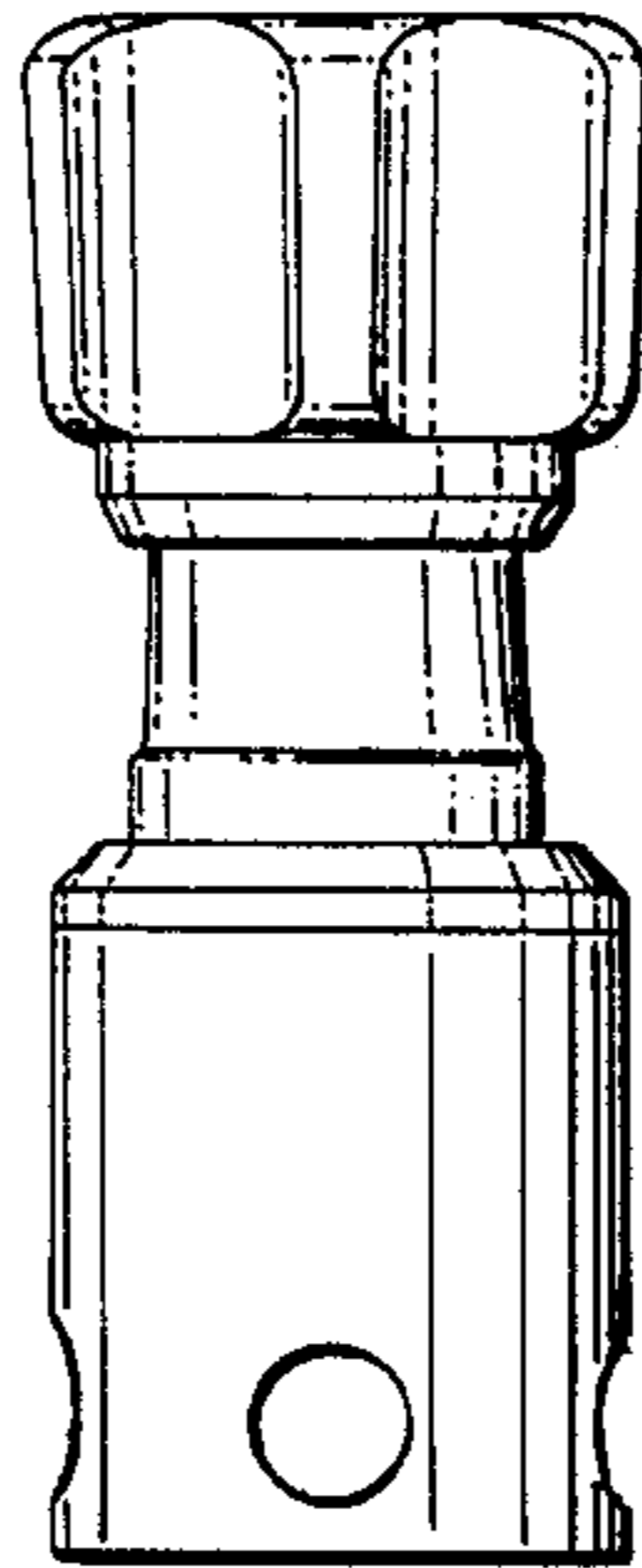


FIG. 6.

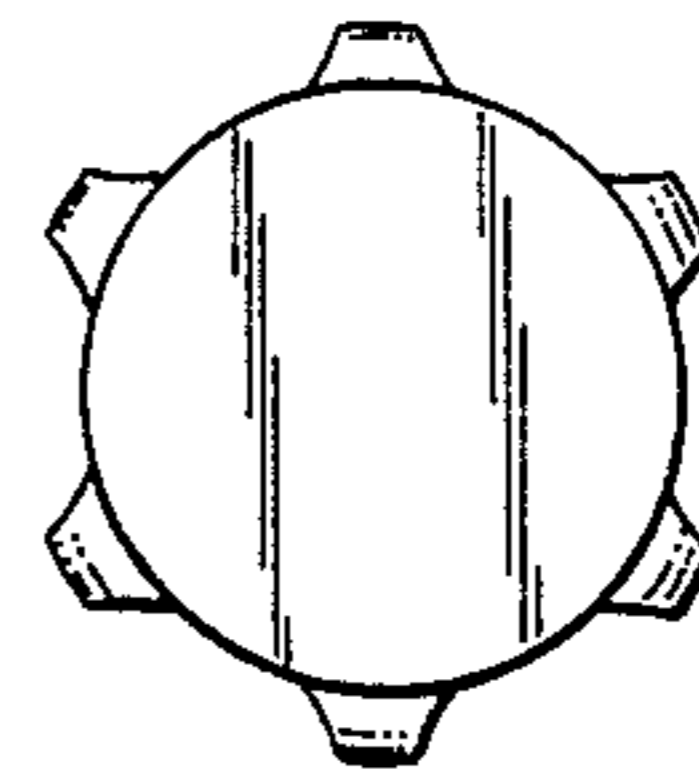


FIG. 7.