

[54] **GOLF BALL RETRIEVER HEAD**

[76] **Inventor: John B. Blake, 587 Finch Avenue,  
Pickering, Ontario, Canada, L1V 1J1**

[\*\*] **Term: 14 Years**

[21] **Appl. No.: 79,287**

[22] **Filed: Jul. 29, 1987**

[52] **U.S. Cl. .... D21/234**

[58] **Field of Search ..... D21/234, 206; 273/32 F;  
294/19.2**

[56] **References Cited**

**U.S. PATENT DOCUMENTS**

2,814,520 11/1957 Ruhland ..... D21/206  
3,136,573 6/1964 Harke ..... 294/19.2  
3,306,649 2/1967 Zagwyn ..... D21/206

**FOREIGN PATENT DOCUMENTS**

52696 8/1966 Canada .

*Primary Examiner*—Bernard Ansher

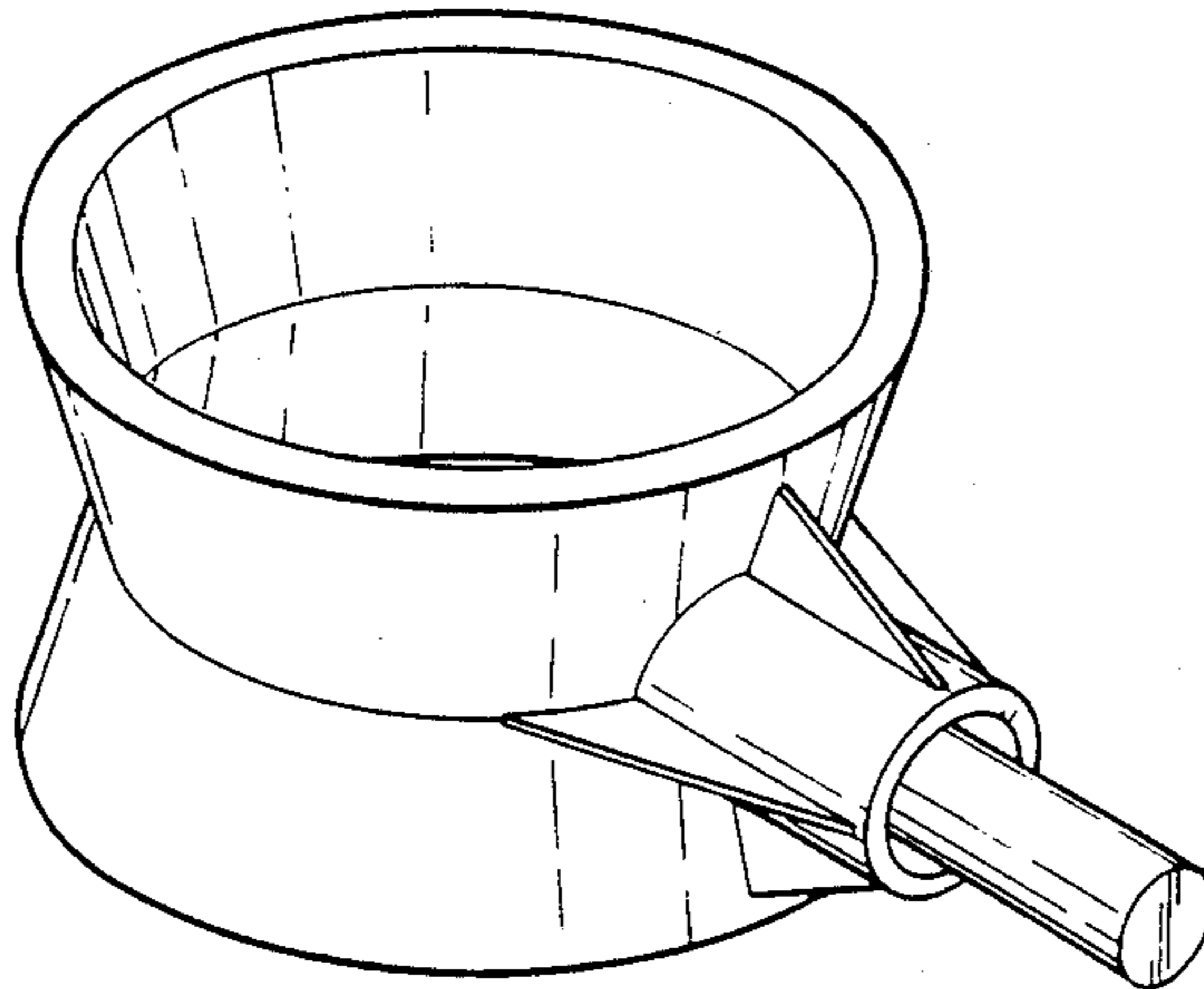
*Assistant Examiner*—David Jeo

[57] **CLAIM**

The ornamental design for a golf ball retriever head, as shown and described.

**DESCRIPTION**

FIG. 1 is a top-right side perspective view of a golf ball retriever showing my new design;  
FIG. 2 is a right side elevational view thereof; the undisclosed left side being a mirror image;  
FIG. 3 is a top plan view thereof; the undisclosed bottom side is a mirror image of the top shown;  
FIG. 4 is a front elevational view thereof; and  
FIG. 5 is a rear elevational view thereof.



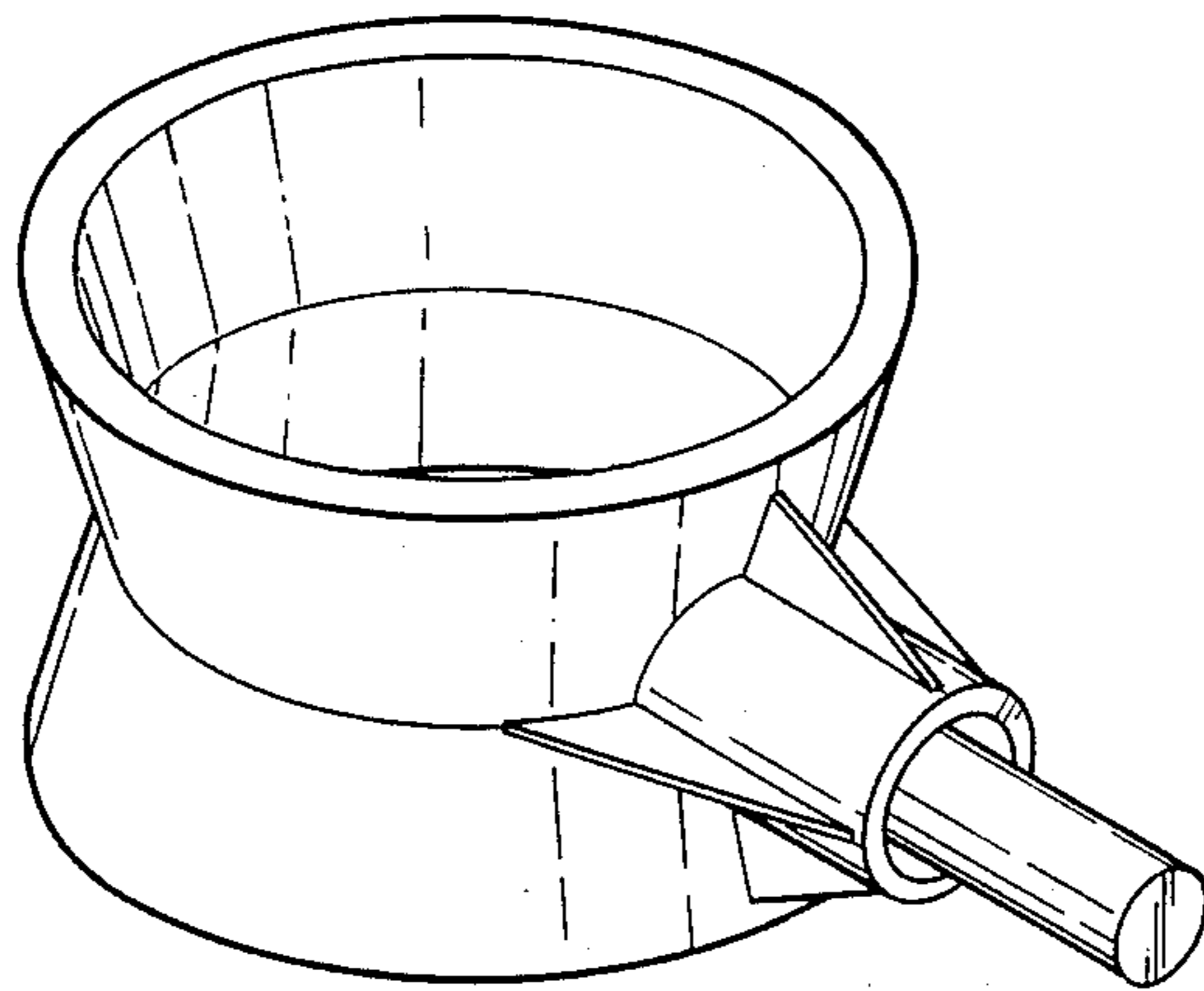


FIG. 1

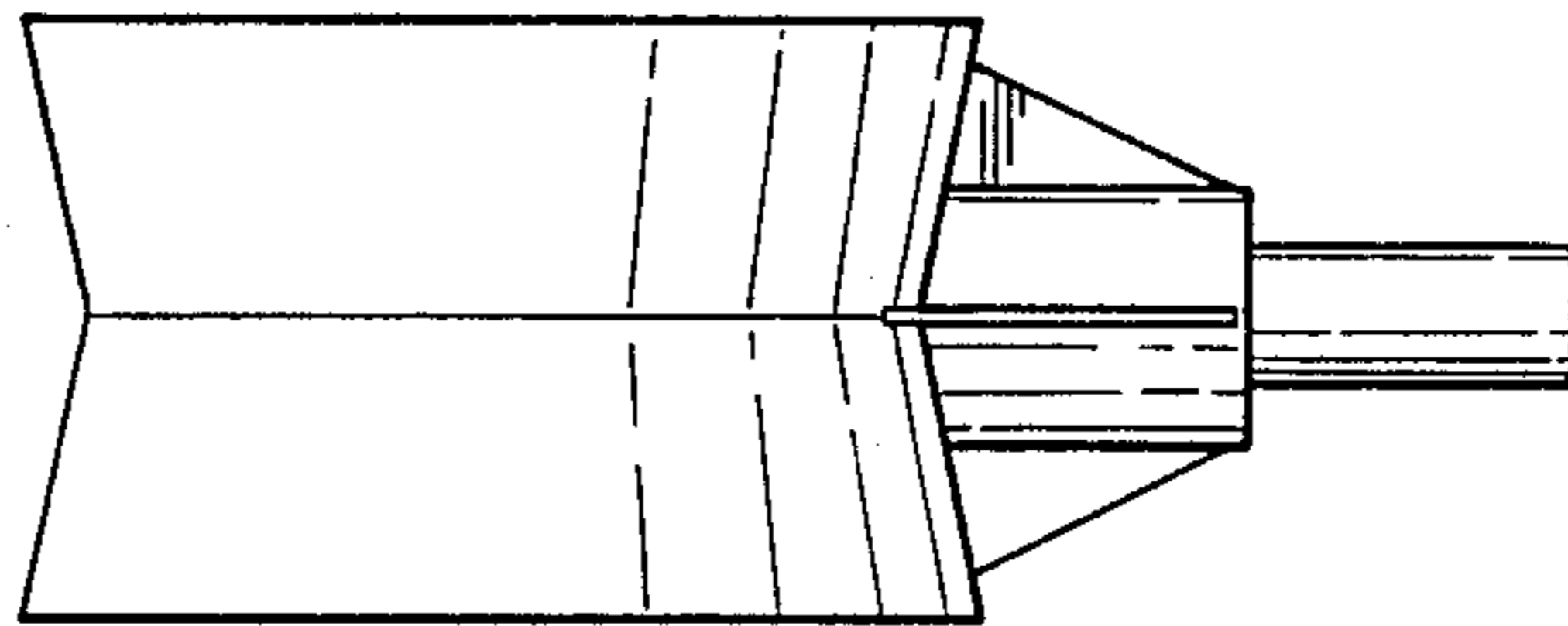


FIG. 2

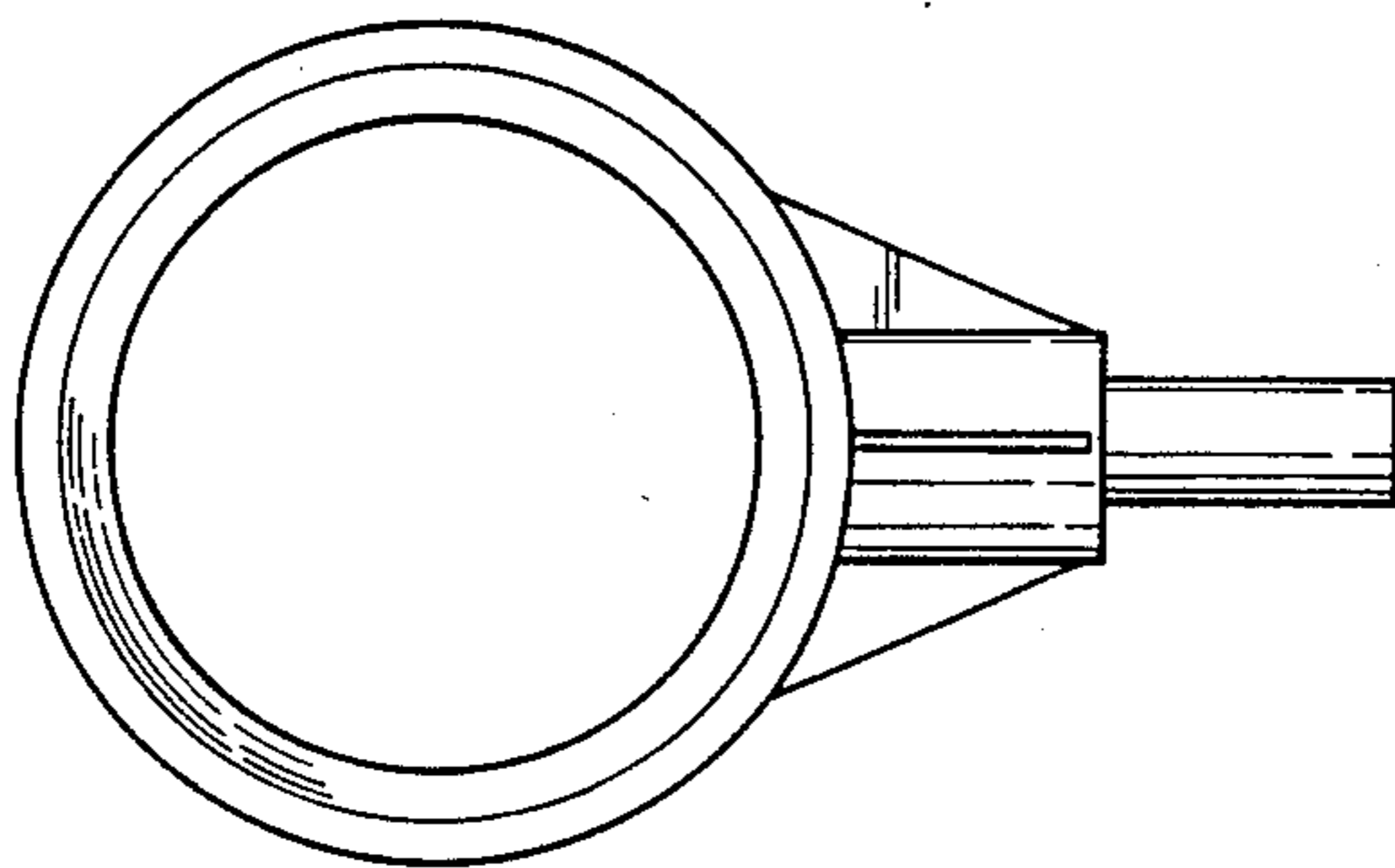


FIG. 3

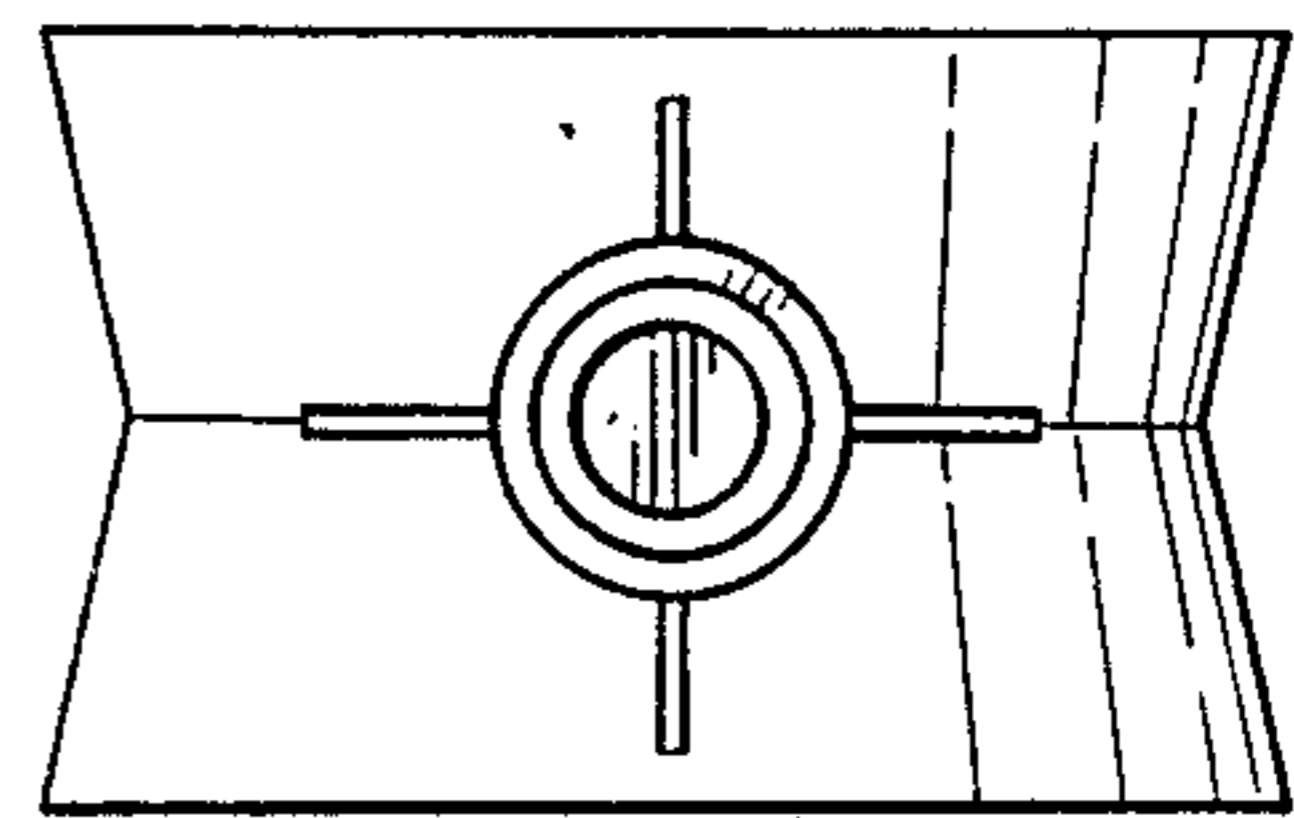


FIG. 4

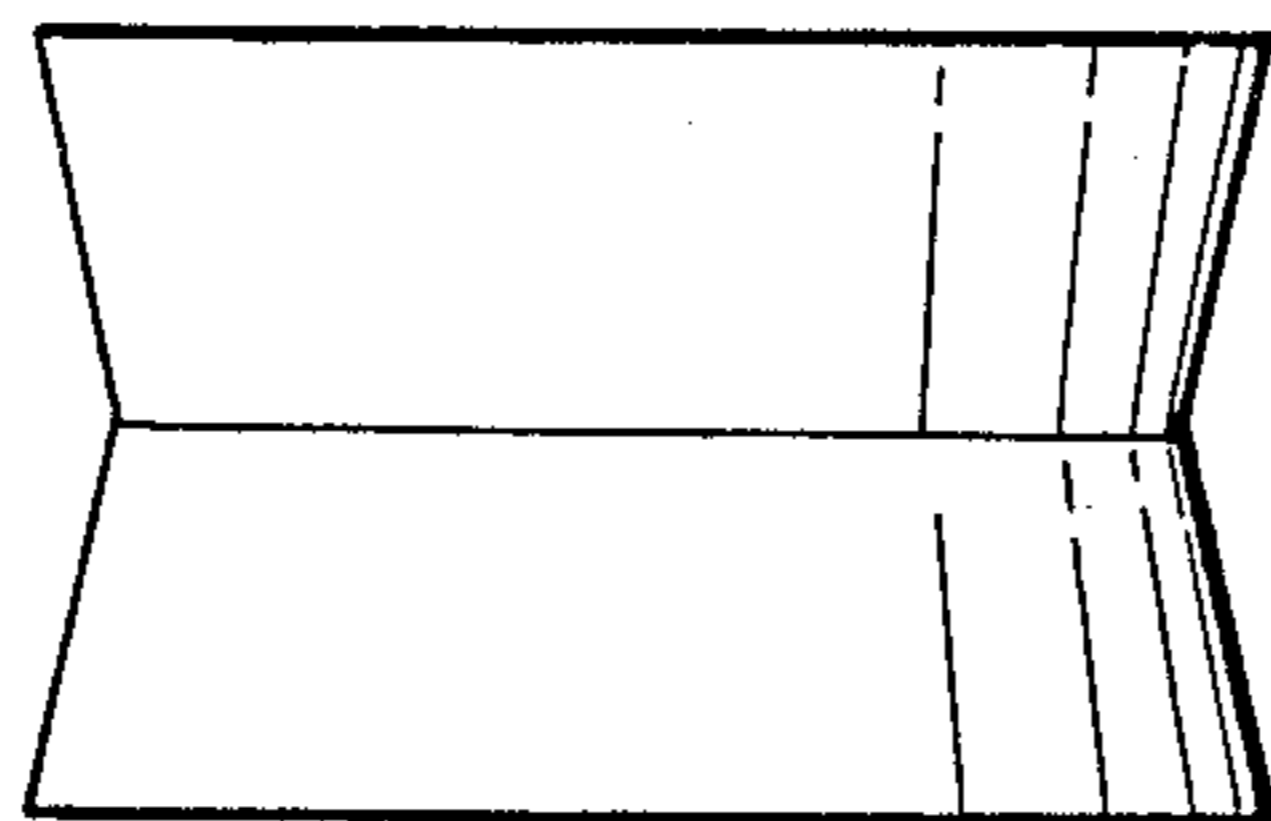


FIG. 5