

[54] **EXERCISE MACHINE**

[75] **Inventor:** Jose L. Beistegui, Vitoria Alava, Spain

[73] **Assignee:** BH Holdings, Ltd., St. Helier, Channel Islands

[\*\*] **Term:** 14 Years

[21] **Appl. No.:** 123,993

[22] **Filed:** Nov. 23, 1987

[30] **Foreign Application Priority Data**

Jun. 11, 1987 [ES] Spain ..... 113,278  
[52] **U.S. Cl.** ..... **D21/195**  
[58] **Field of Search** ..... **D21/191-199;**  
272/48, 138, 134, 136, 141, 142, 143, 144, 126,  
130, 117

[56] **References Cited**

**U.S. PATENT DOCUMENTS**

D. 262,811	1/1982	Lambert et al. ....	D21/195
D. 288,451	2/1987	Irvine et al. ....	D21/195
D. 289,784	5/1987	Carey et al. ....	D21/195
D. 296,709	7/1988	Gvoich et al. ....	D21/195
4,470,596	9/1984	Desiderio .....	272/134
4,561,651	12/1985	Hoce .....	272/134

**OTHER PUBLICATIONS**

Sporting Goods Dealer-7-1977, p. 213, "Bench Press Machine".

Sporting Goods Dealer, 8-1978, p. 151, Weight Machine at top left corner of page.

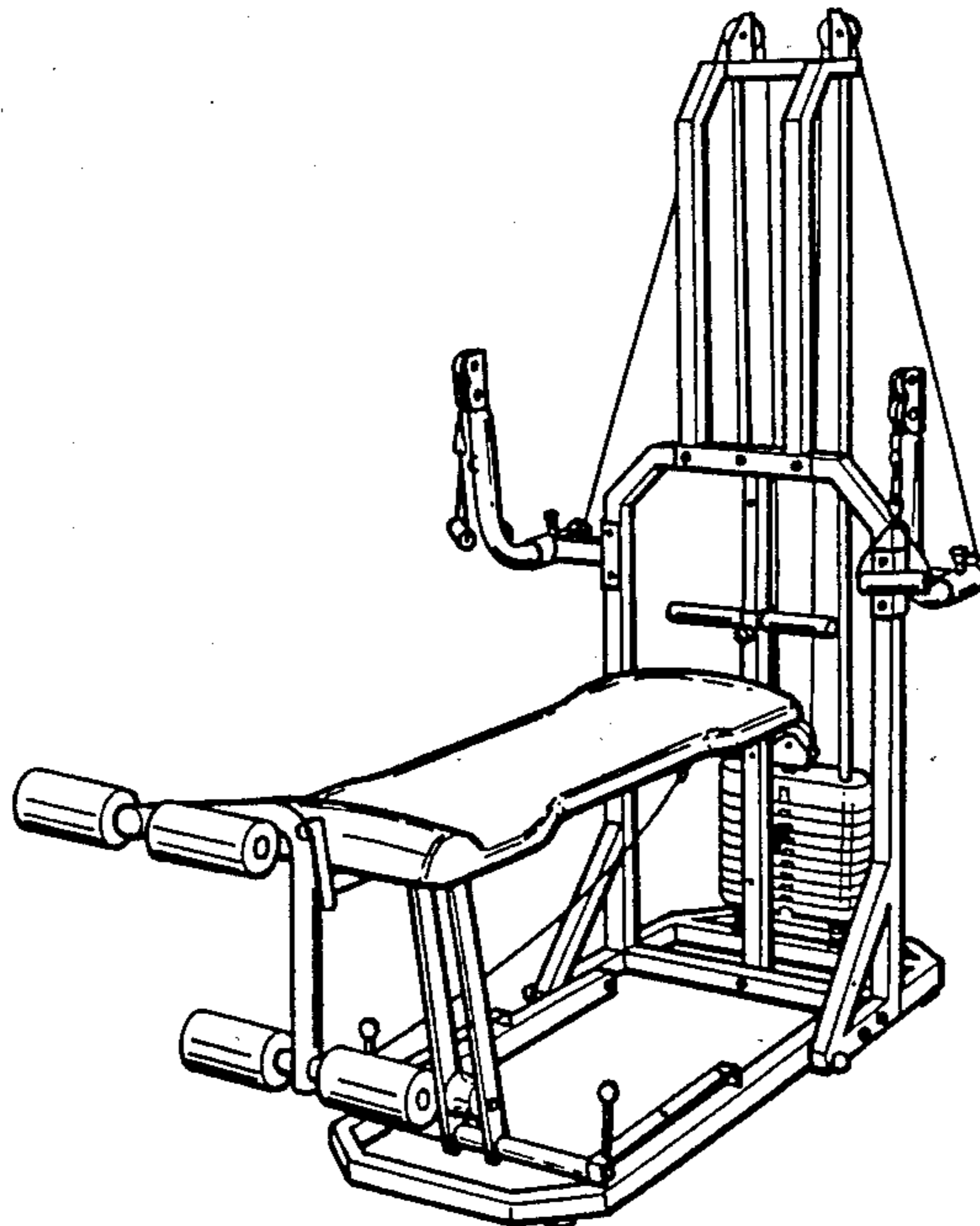
*Primary Examiner*—Charles A. Rademaker  
*Attorney, Agent, or Firm*—Helfgott & Karas

[57] **CLAIM**

The ornamental design for an exercise machine, as shown and described.

**DESCRIPTION**

FIG. 1 is a front perspective view of an exercise machine showing my new design;  
FIG. 2 is another perspective view thereof showing the design in an alternate configuration with the elbow member removed;  
FIG. 3 is another perspective view thereof in a second alternate configuration;  
FIG. 4 is a front perspective view thereof in an open position;  
FIG. 5 is a front perspective view thereof in a closed position;  
FIG. 6 is a rear perspective view thereof; and  
FIG. 7 is a side perspective view thereof.



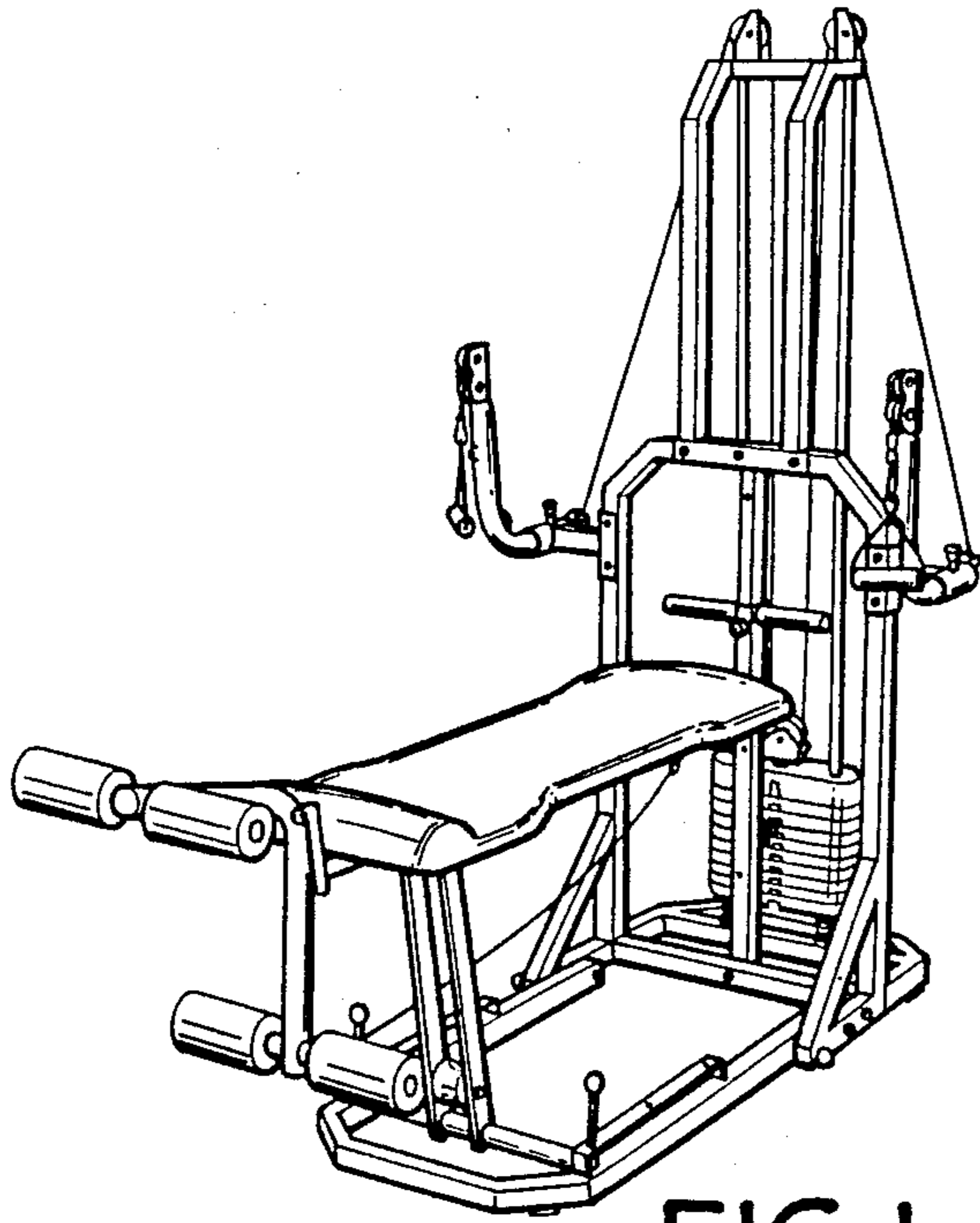


FIG. 1

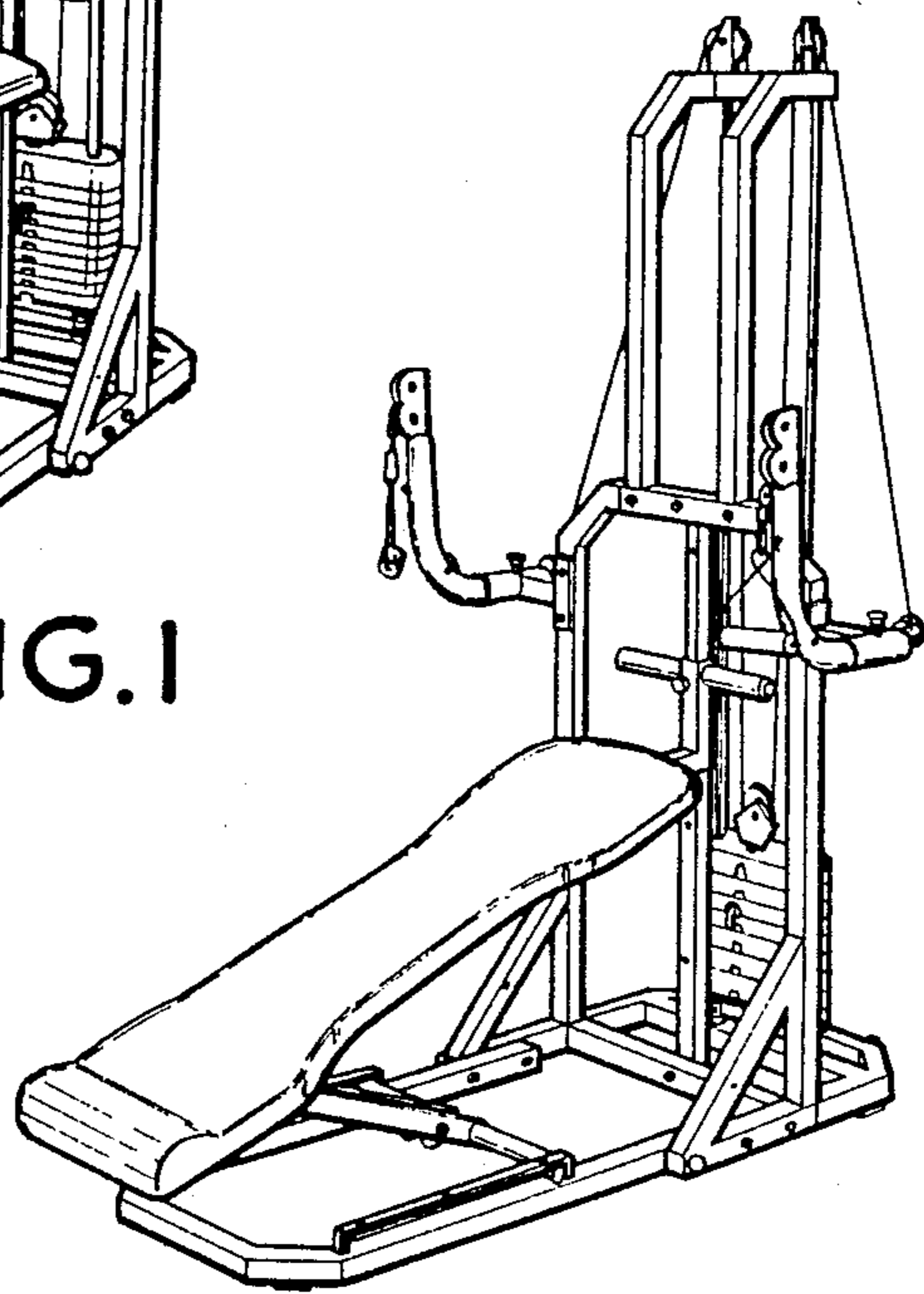


FIG. 2

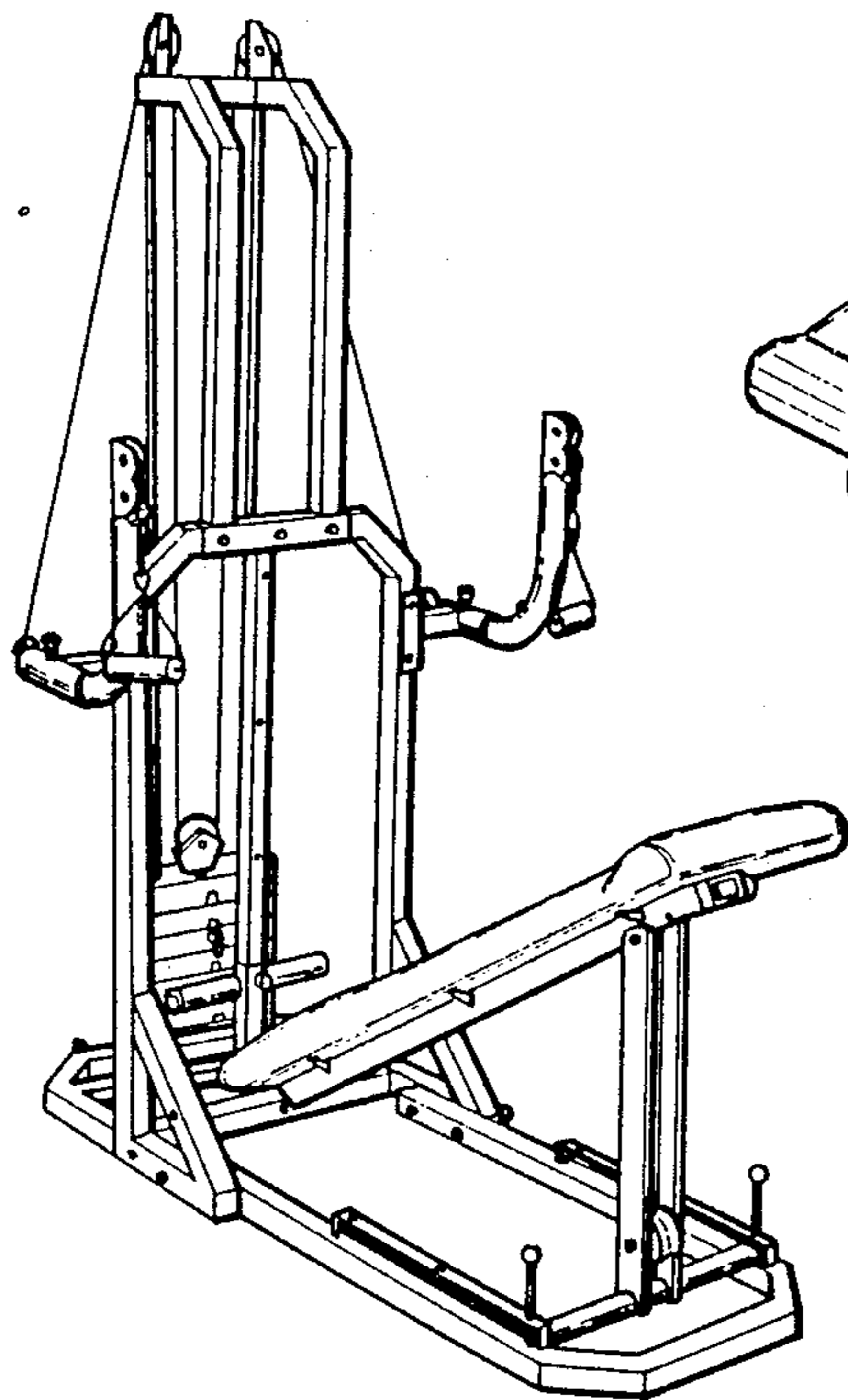


FIG. 3

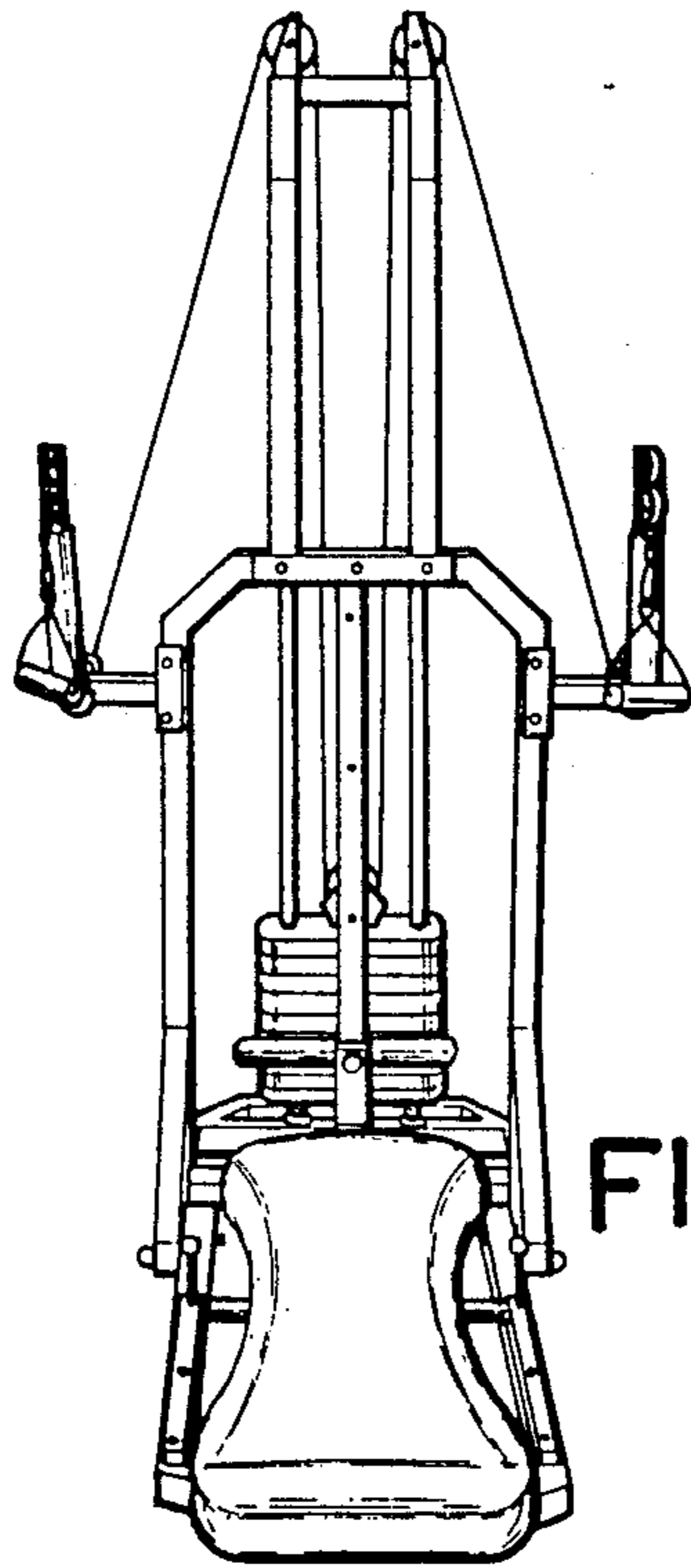


FIG. 4

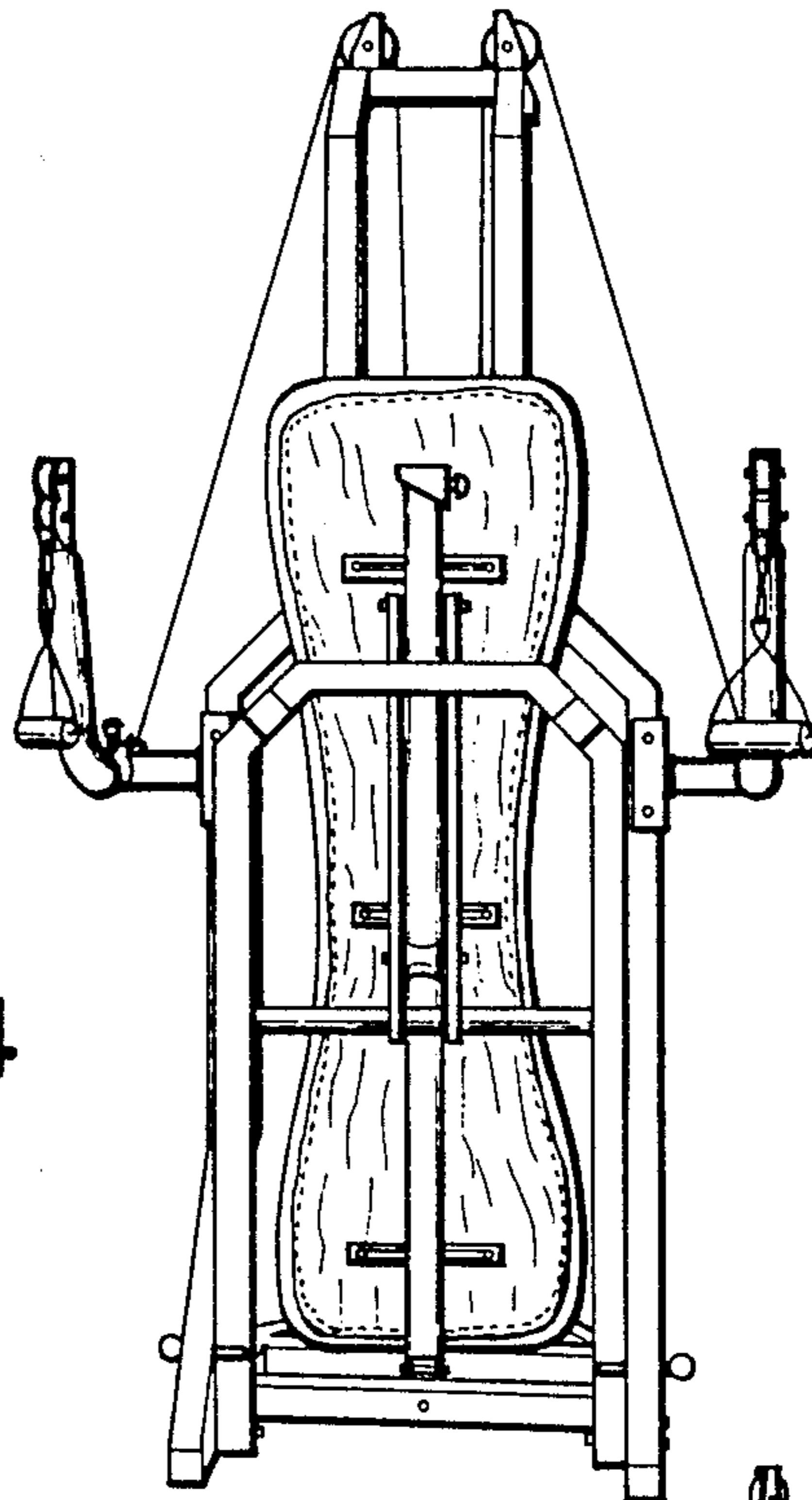


FIG. 5

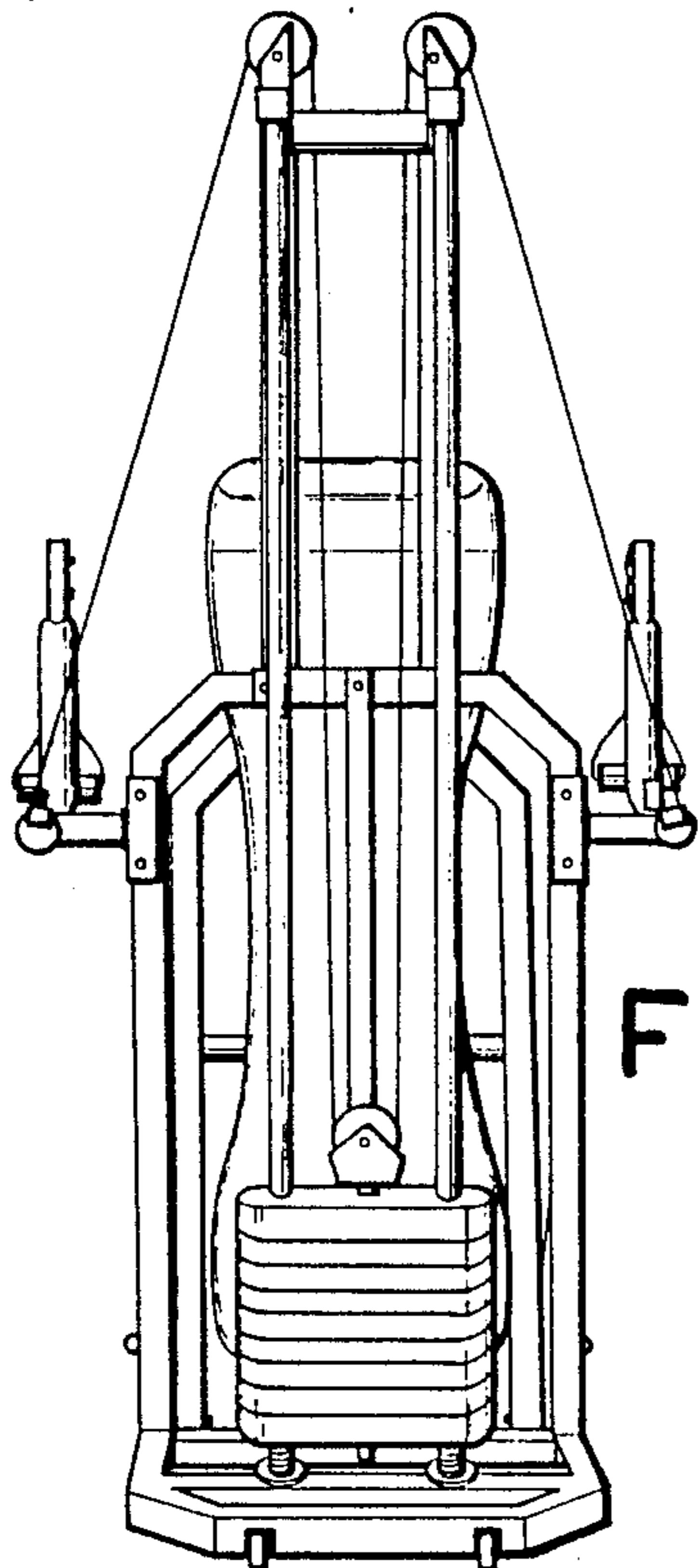


FIG. 6

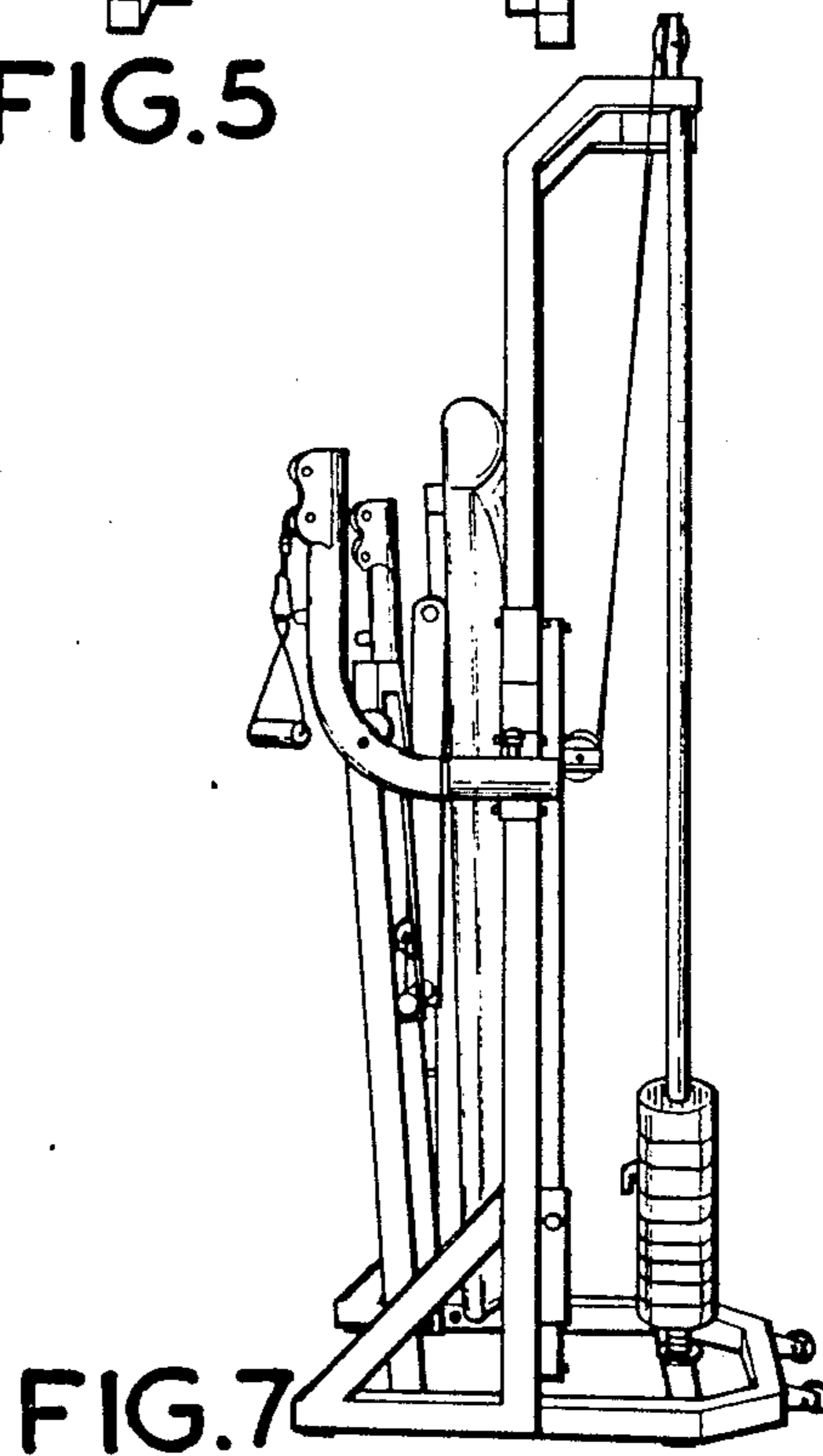


FIG. 7