

[54] **BENCH PRESS/ROW PHYSICAL EXERCISER**

[76] **Inventor: Jerry D. Brentham, P.O. Box 599, 2121 Industrial Park, Belton, Tex. 76513**

[**] **Term: 14 Years**

[21] **Appl. No.: 48,139**

[22] **Filed: May 11, 1987**

[52] **U.S. Cl. D21/195**

[58] **Field of Search D21/191-199; 272/118, 138, 134, 136, 141, 142, 143, 144**

[56] **References Cited**

U.S. PATENT DOCUMENTS

D. 242,732	12/1976	Brentham .	
D. 263,978	4/1982	Brentham	D21/195
D. 271,603	11/1983	Berner	D21/195
D. 289,190	4/1987	Brentham	D21/195
D. 300,442	3/1989	Brentham	D21/195
3,822,599	7/1974	Brentham .	

OTHER PUBLICATIONS

Hydra-Fitness, Manual for Omnikinetic Training, Copyright 1983 by Hydra-Fitness Industries, Inc., Belton, Texas 76513, pp. III-13; Series III-314, Shoulder Press/Lat Pull.

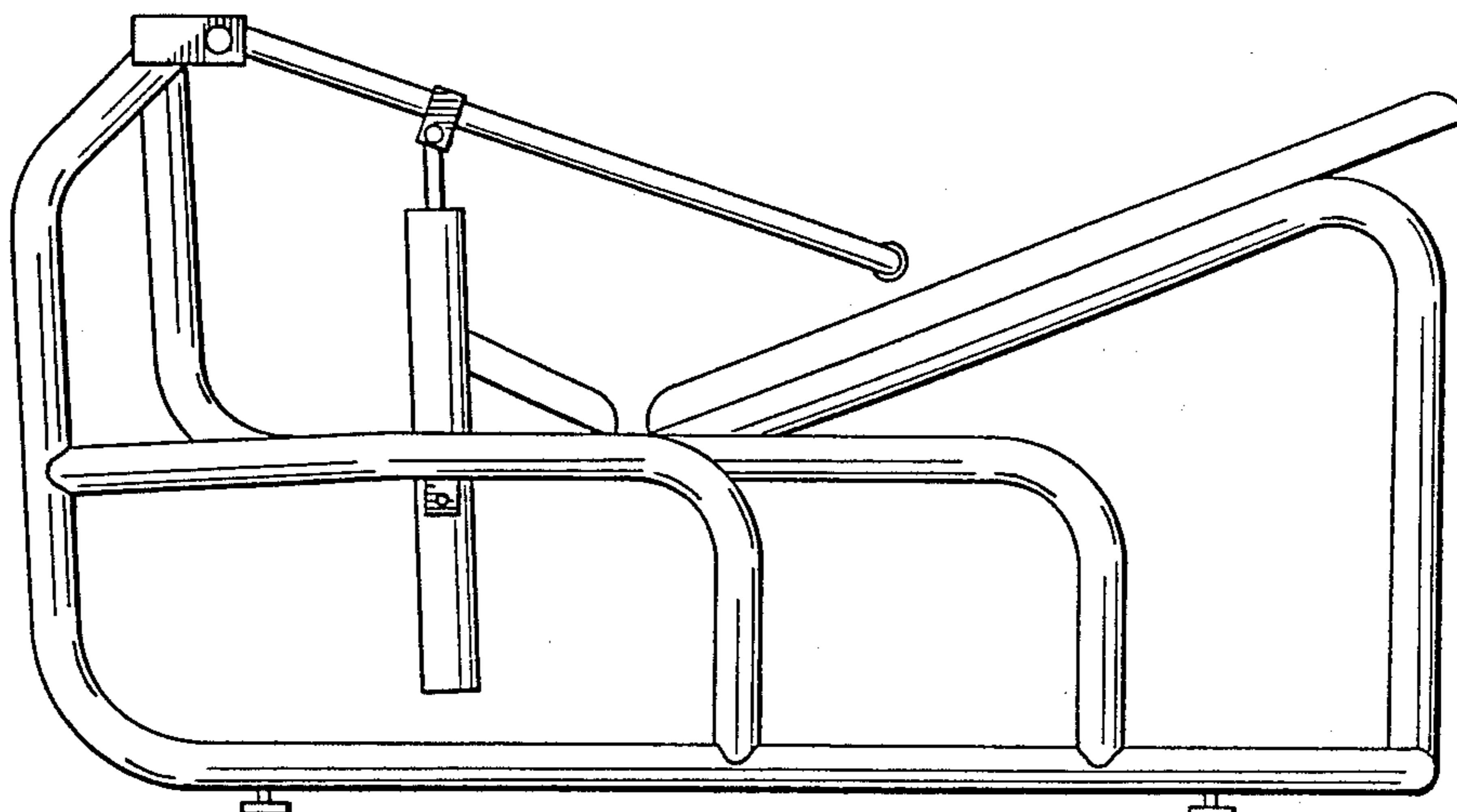
Primary Examiner—Charles A. Rademaker
Attorney, Agent, or Firm—Crutsinger & Booth

[57] **CLAIM**

The ornamental design for a bench press/row physical exerciser, as shown.

DESCRIPTION

FIG. 1 is a top plan view of a bench press/row physical exerciser showing my new design;
FIG. 2 is a bottom plan view thereof;
FIG. 3 is a right side elevational view thereof;
FIG. 4 is a left side elevational view thereof;
FIG. 5 is a front elevational view thereof; and
FIG. 6 is a rear elevational view thereof.



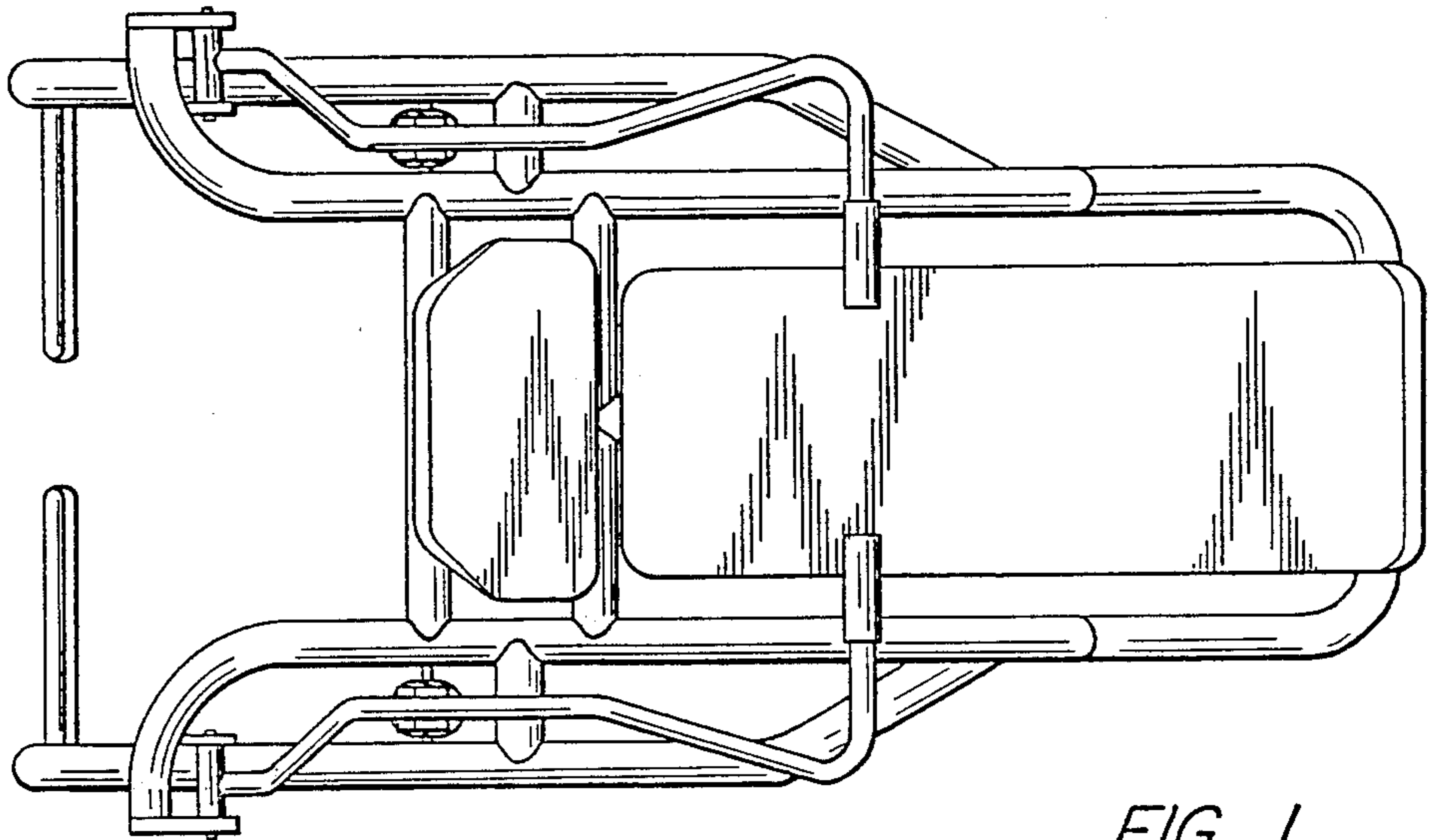


FIG. 1

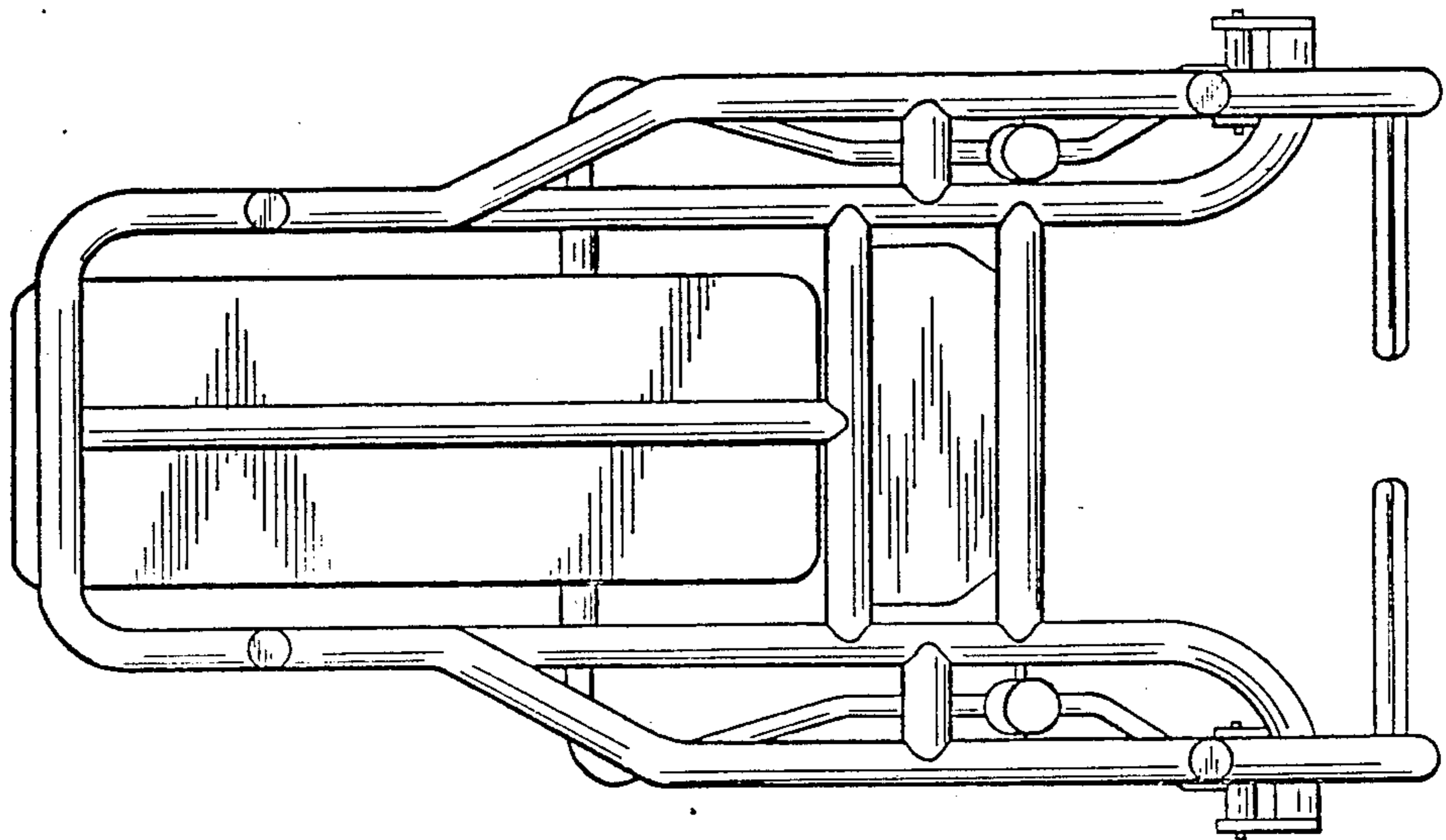


FIG. 2

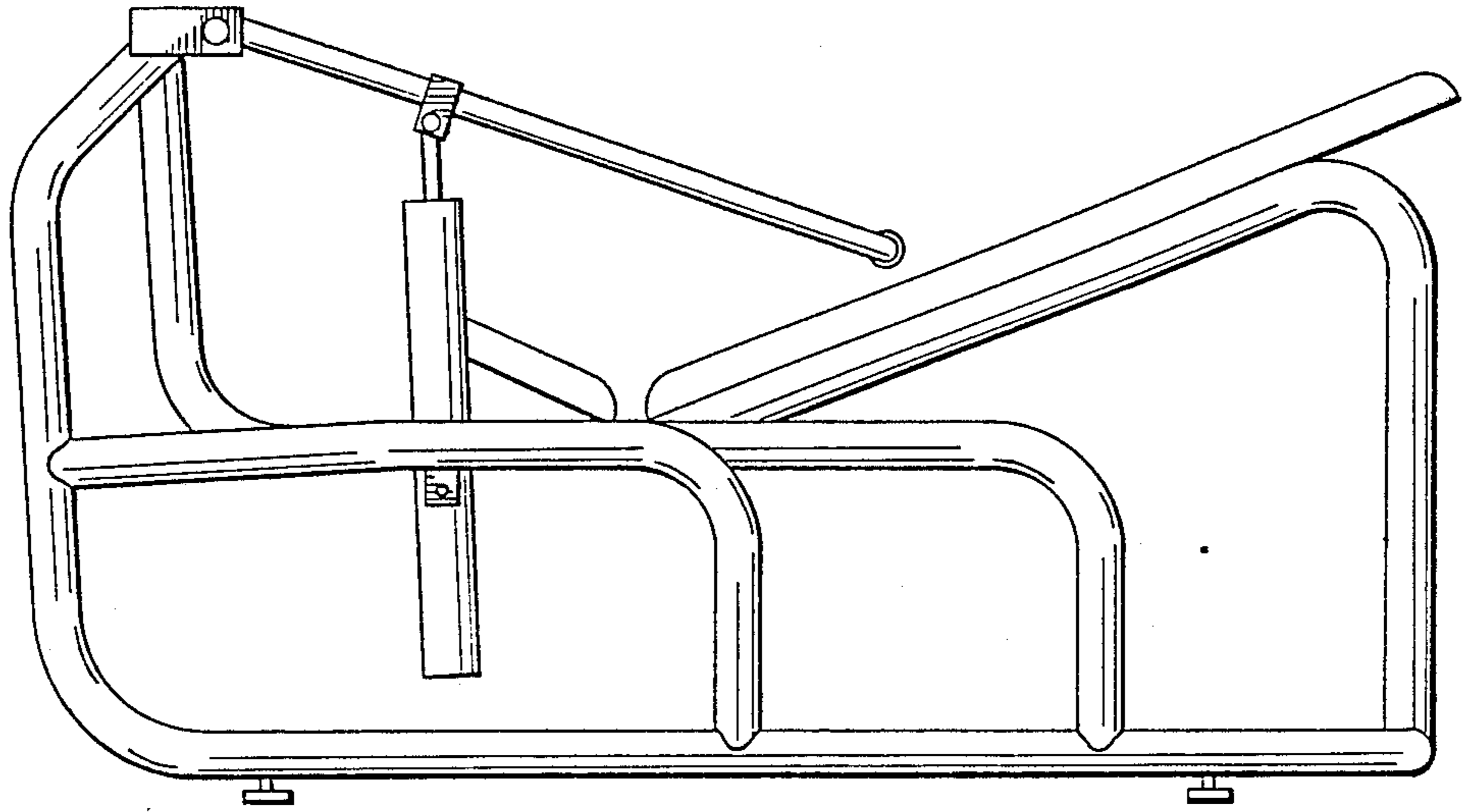


FIG. 3

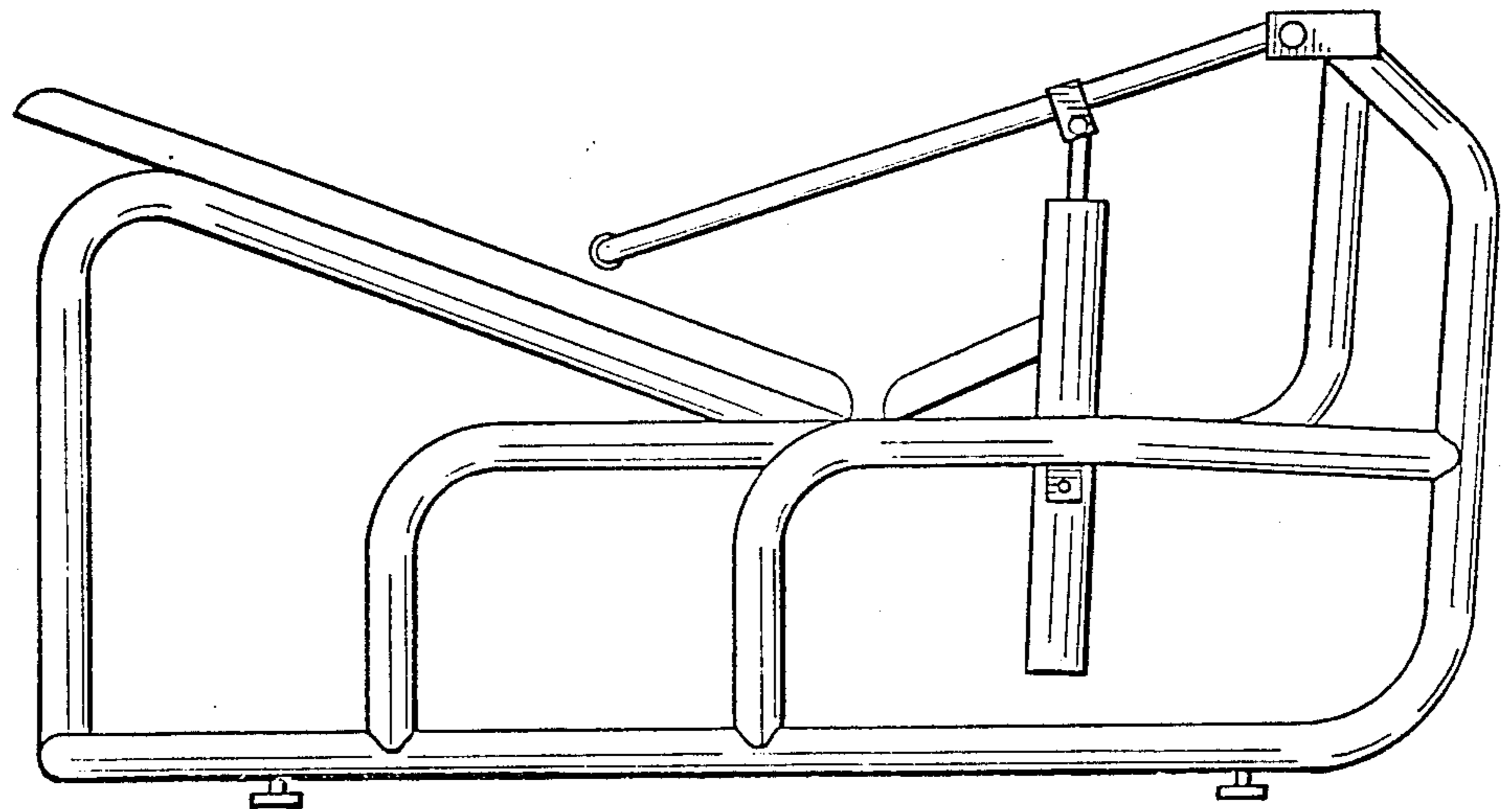


FIG. 4

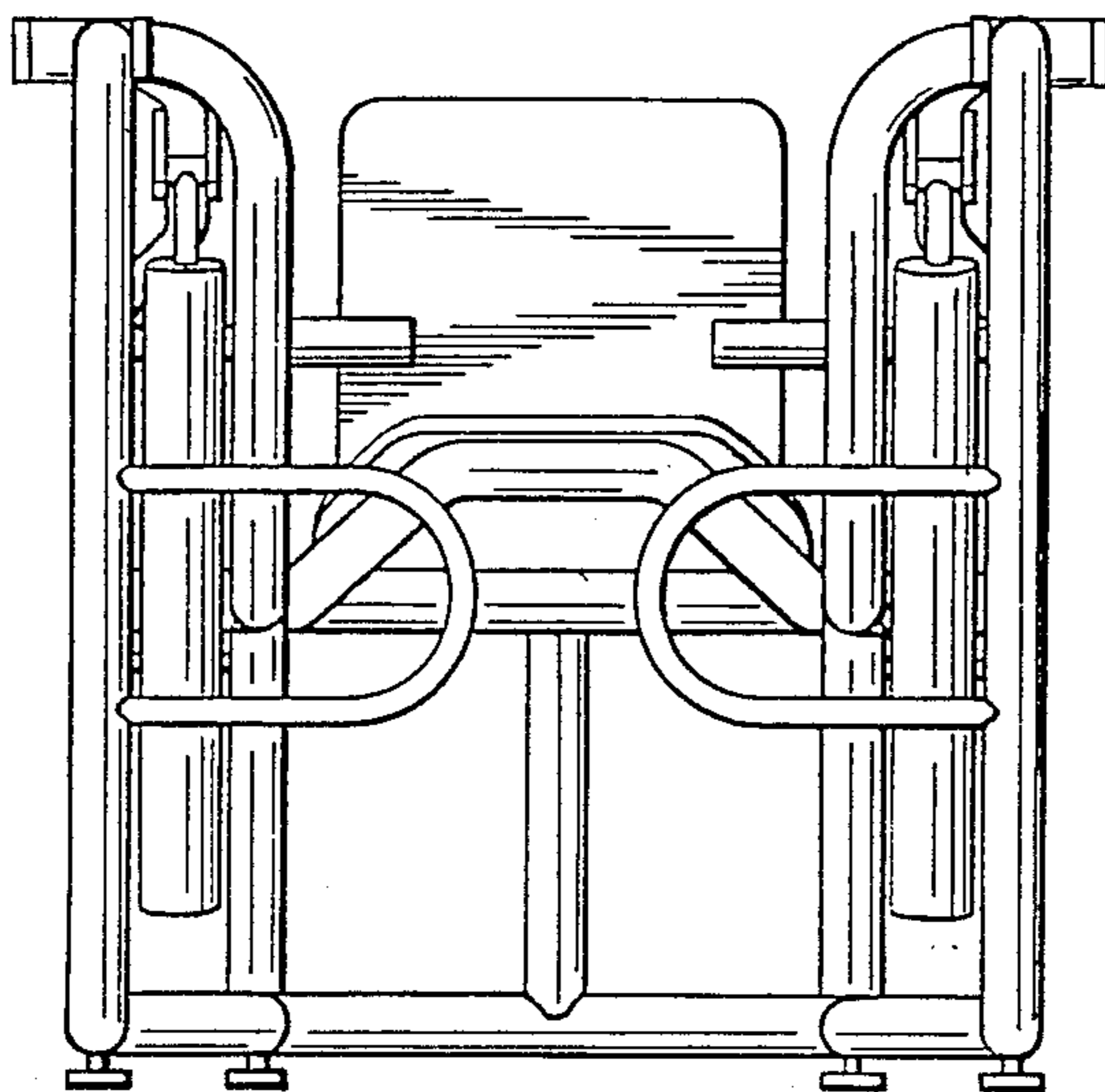


FIG. 5

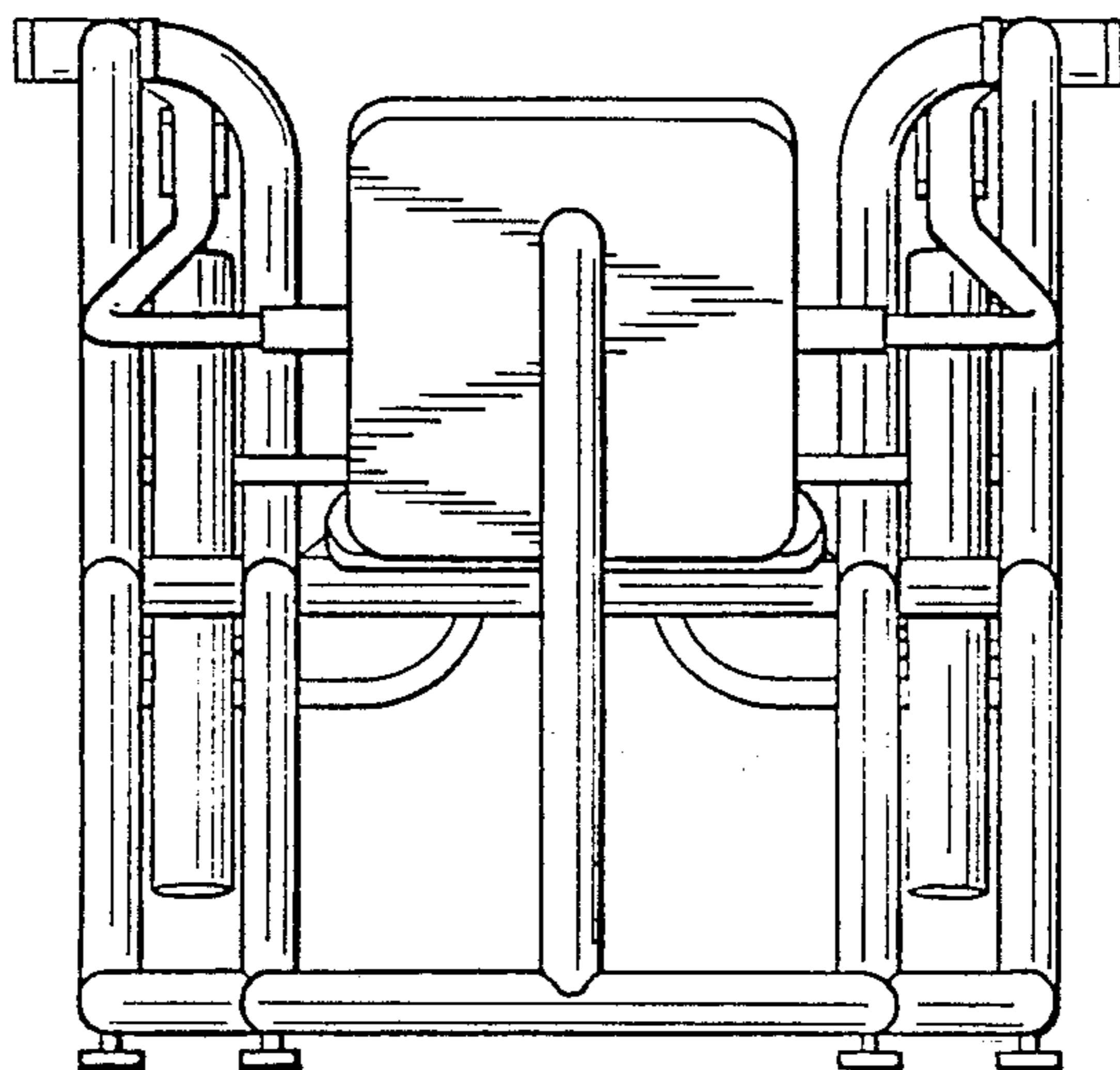


FIG. 6