

[54] RECONFIGURABLE TOY MONSTER

[75] Inventor: Daishirou Shibukawa, Matsudo, Japan

[73] Assignee: Takara Co., Inc., Tokyo, Japan

[**] Term: 14 Years

[21] Appl. No.: 11,708

[22] Filed: Feb. 6, 1987

[30] Foreign Application Priority Data

Dec. 2, 1986 [JP] Japan 61-47697
[52] U.S. Cl. D21/150
[58] Field of Search D21/150, 157; 273/376, 273/487, 97-100, 71-75

[56] References Cited

U.S. PATENT DOCUMENTS

D. 286,420 10/1986 Ohno D21/150
D. 286,901 11/1986 Ohno D21/150

Primary Examiner—Melvin B. Feifer

Attorney, Agent, or Firm—Price, Gess & Ubell

[57] CLAIM

The ornamental design for a reconfigurable toy monster, as shown and described.

DESCRIPTION

FIG. 1 is a front perspective view of a reconfigurable toy monster showing my new design; FIG. 2 is a front elevational view thereof; FIG. 3 is a right side elevational view thereof, the side opposite being a mirror image; FIG. 4 is a rear elevational view thereof; FIG. 5 is a top plan view thereof; FIG. 6 is a bottom plan view thereof; FIG. 7 is another front perspective view of the design shown in FIG. 1 through 6 in a humanoid robot configuration; FIG. 8 is a front elevational view thereof; FIG. 9 is a right side elevational view thereof, the side opposite being a mirror image; FIG. 10 is a rear elevational view thereof; FIG. 11 is a top plan view thereof; and FIG. 12 is a bottom plan view thereof.

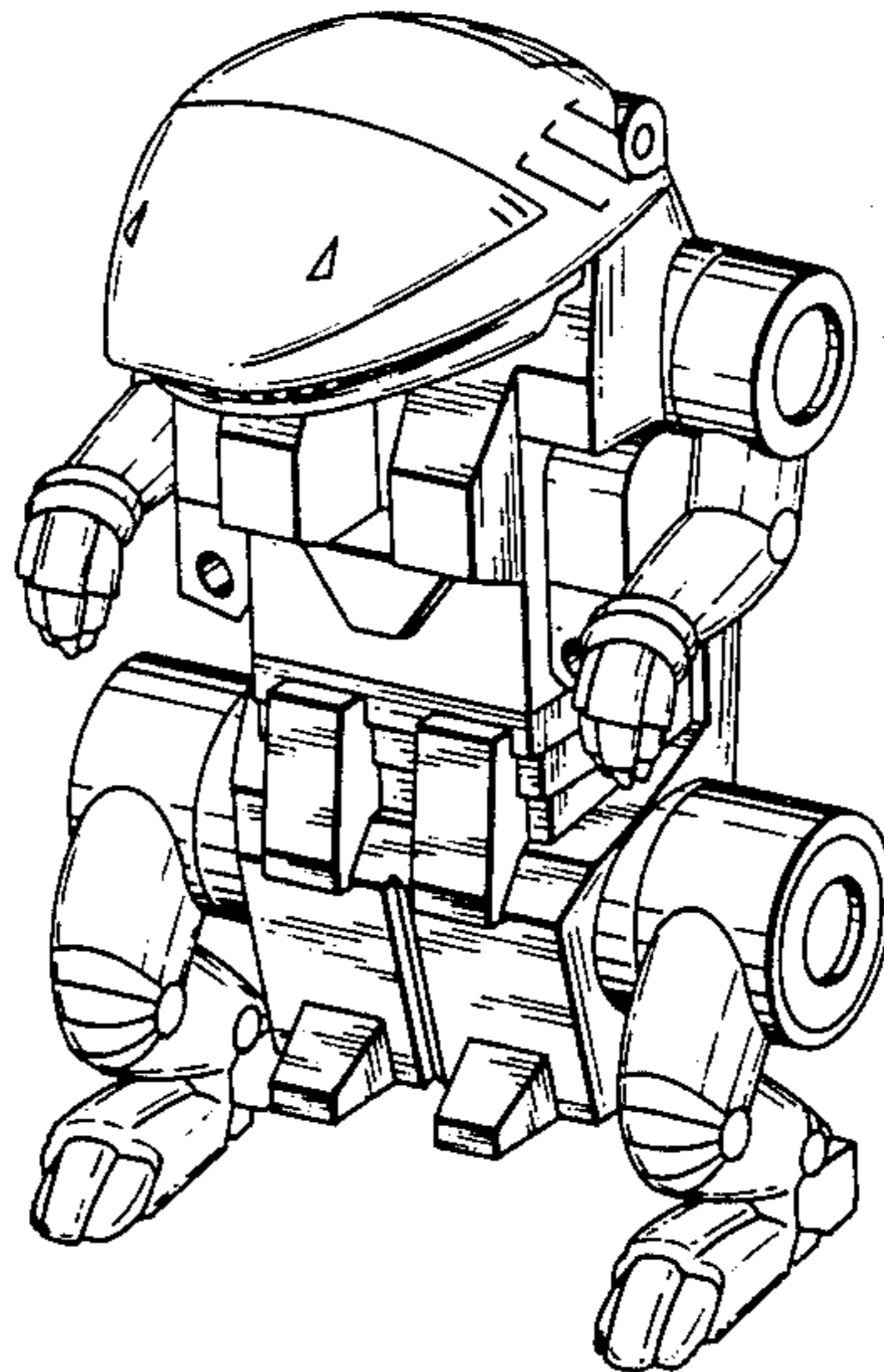


FIG.1

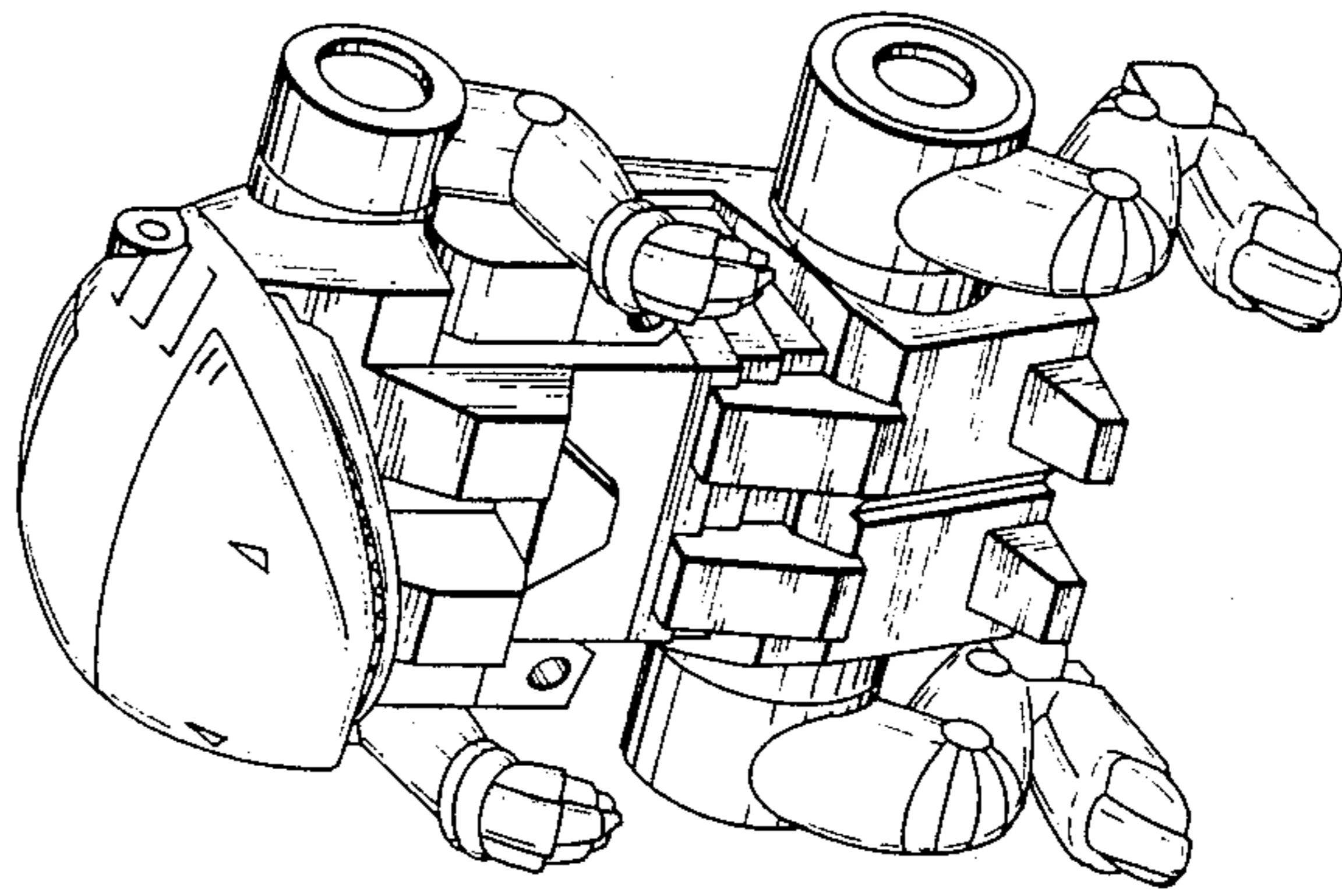


FIG.2

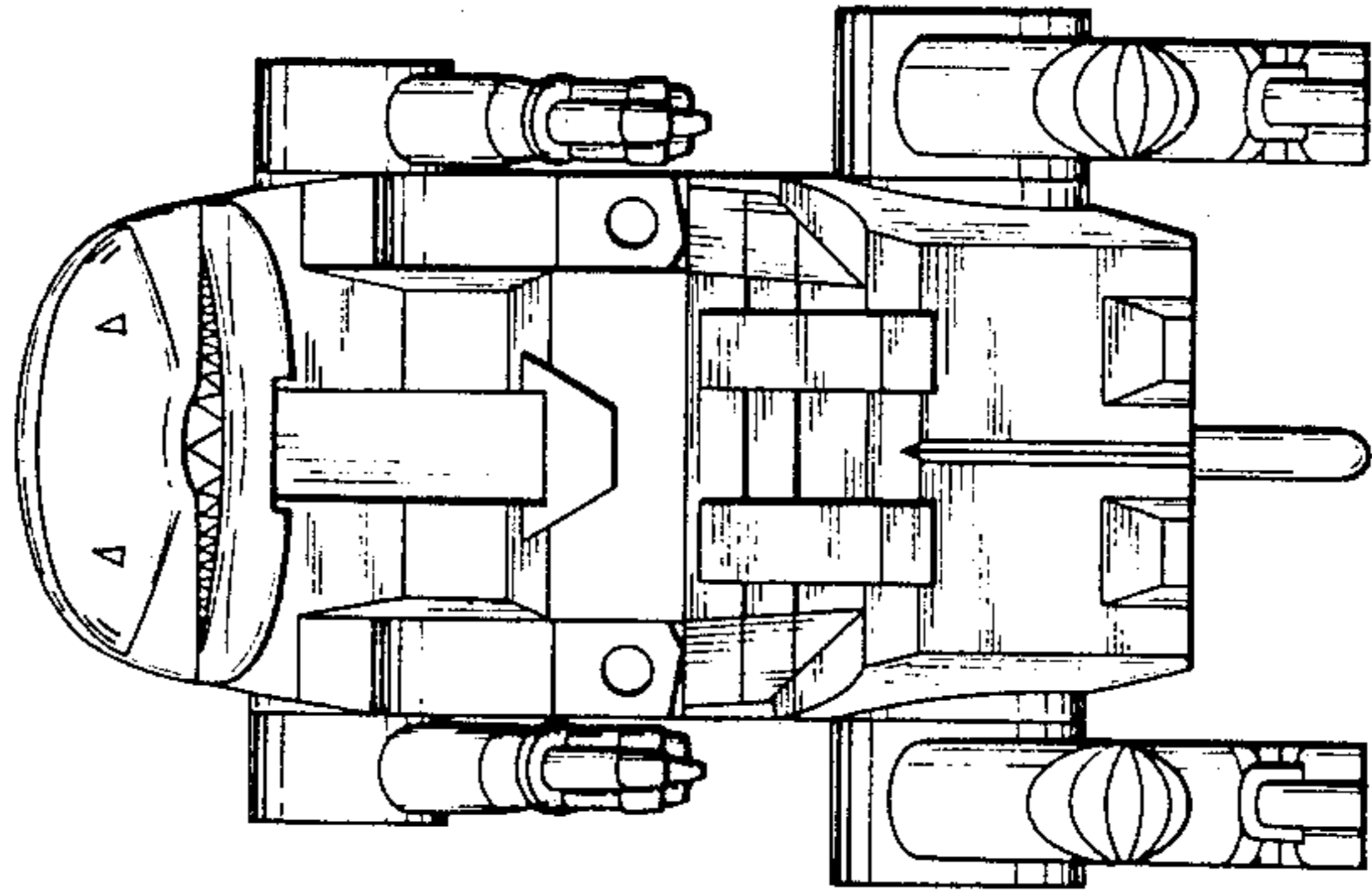


FIG.3

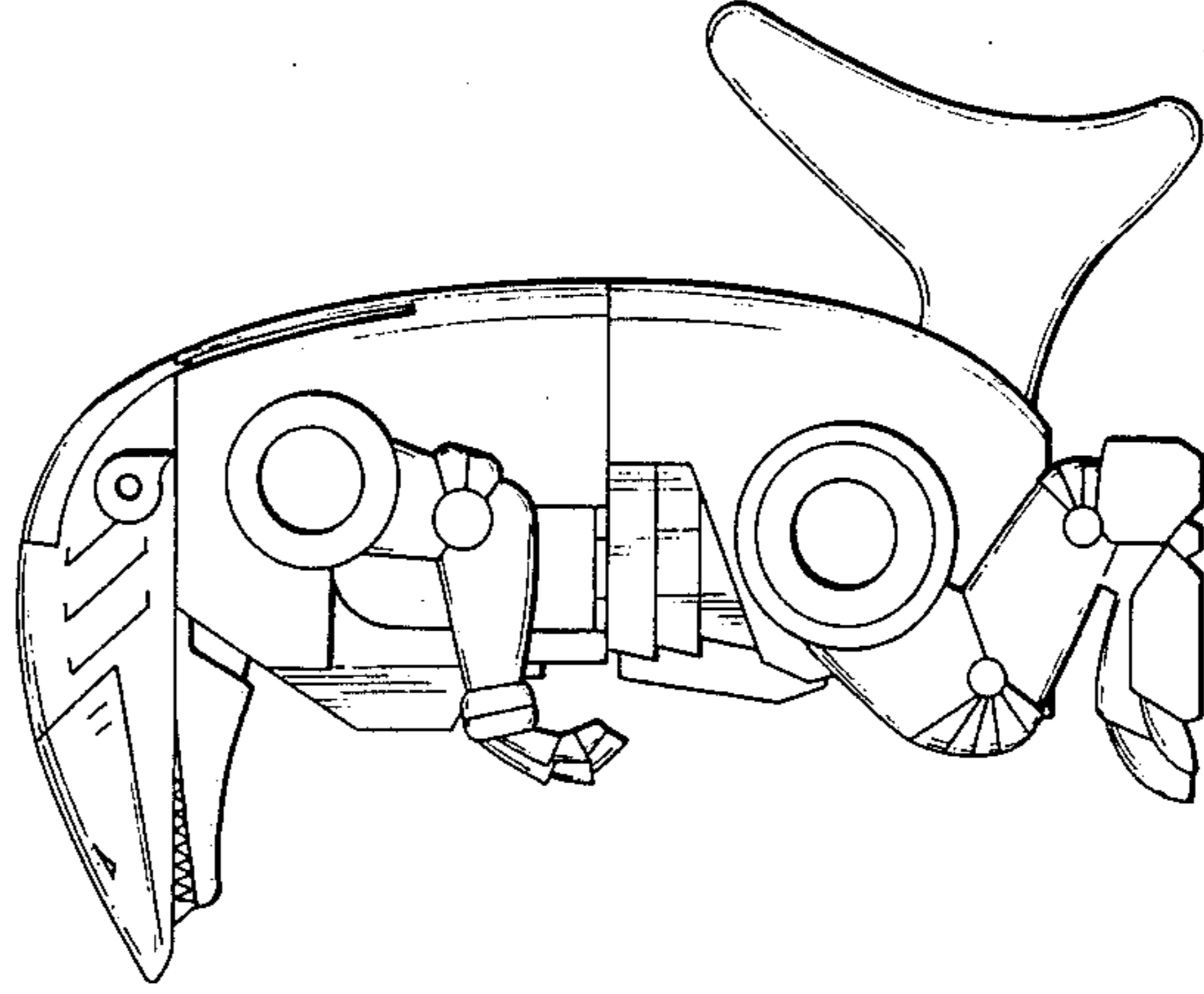


FIG. 4

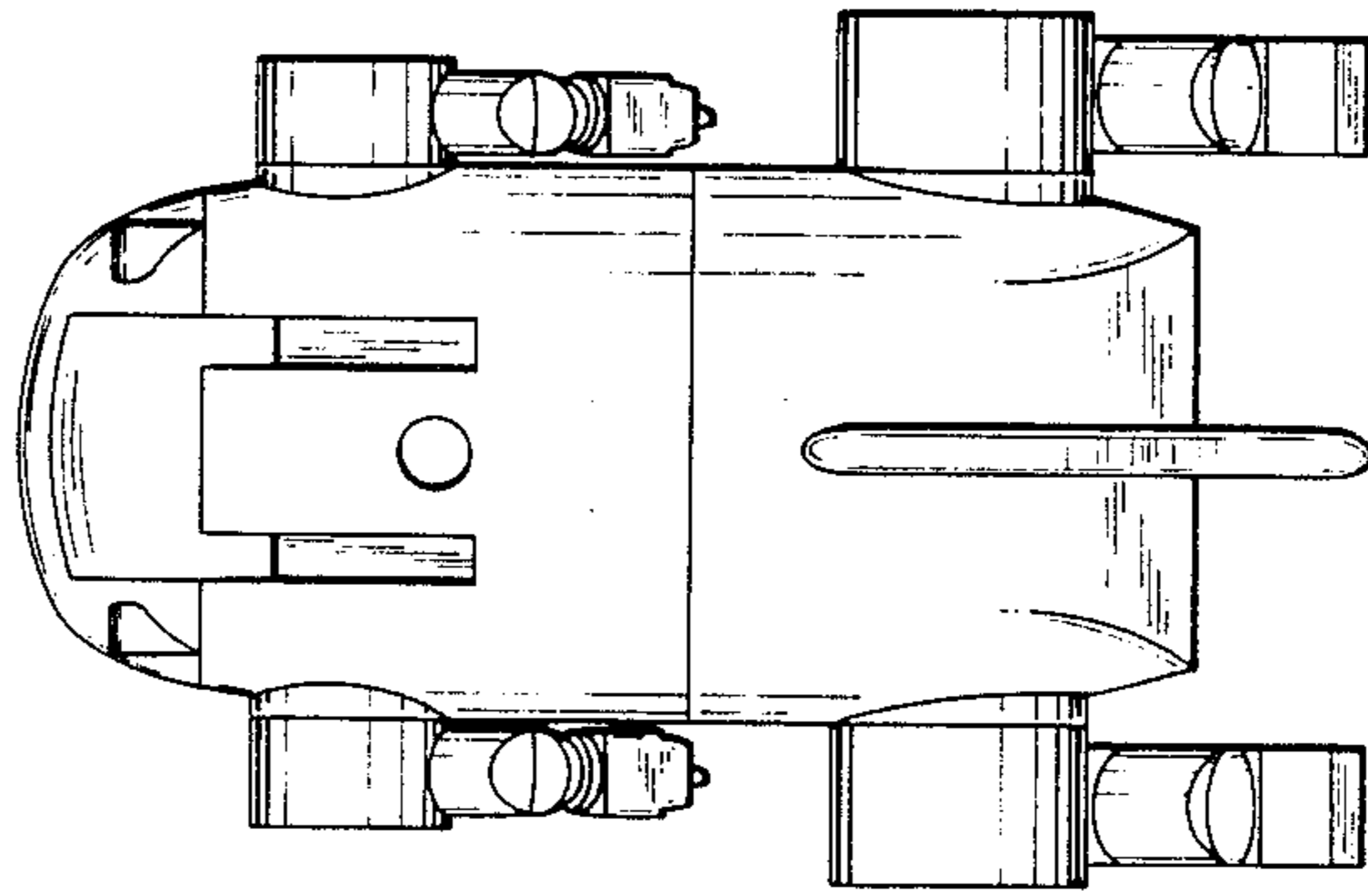


FIG. 5

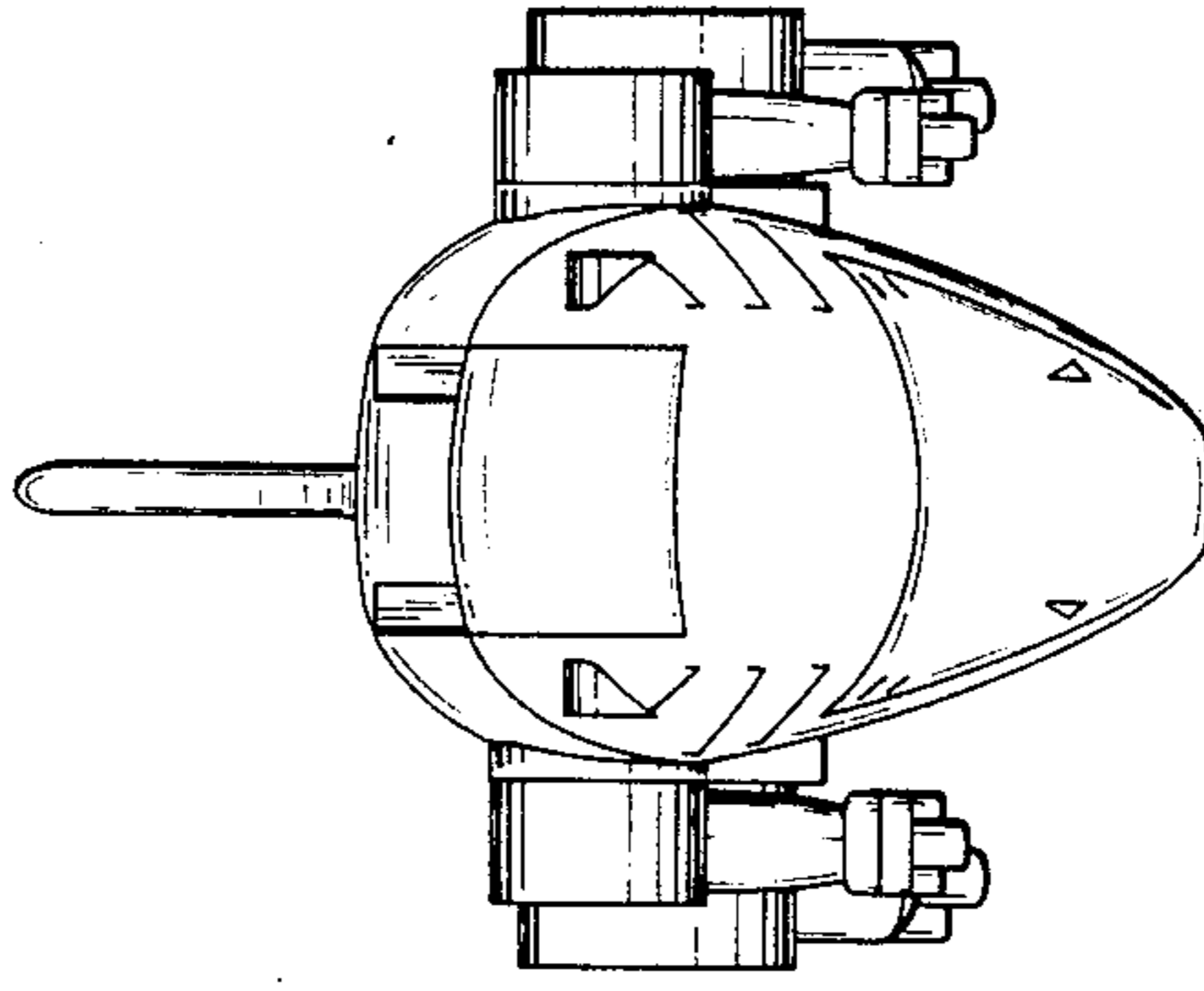


FIG. 6

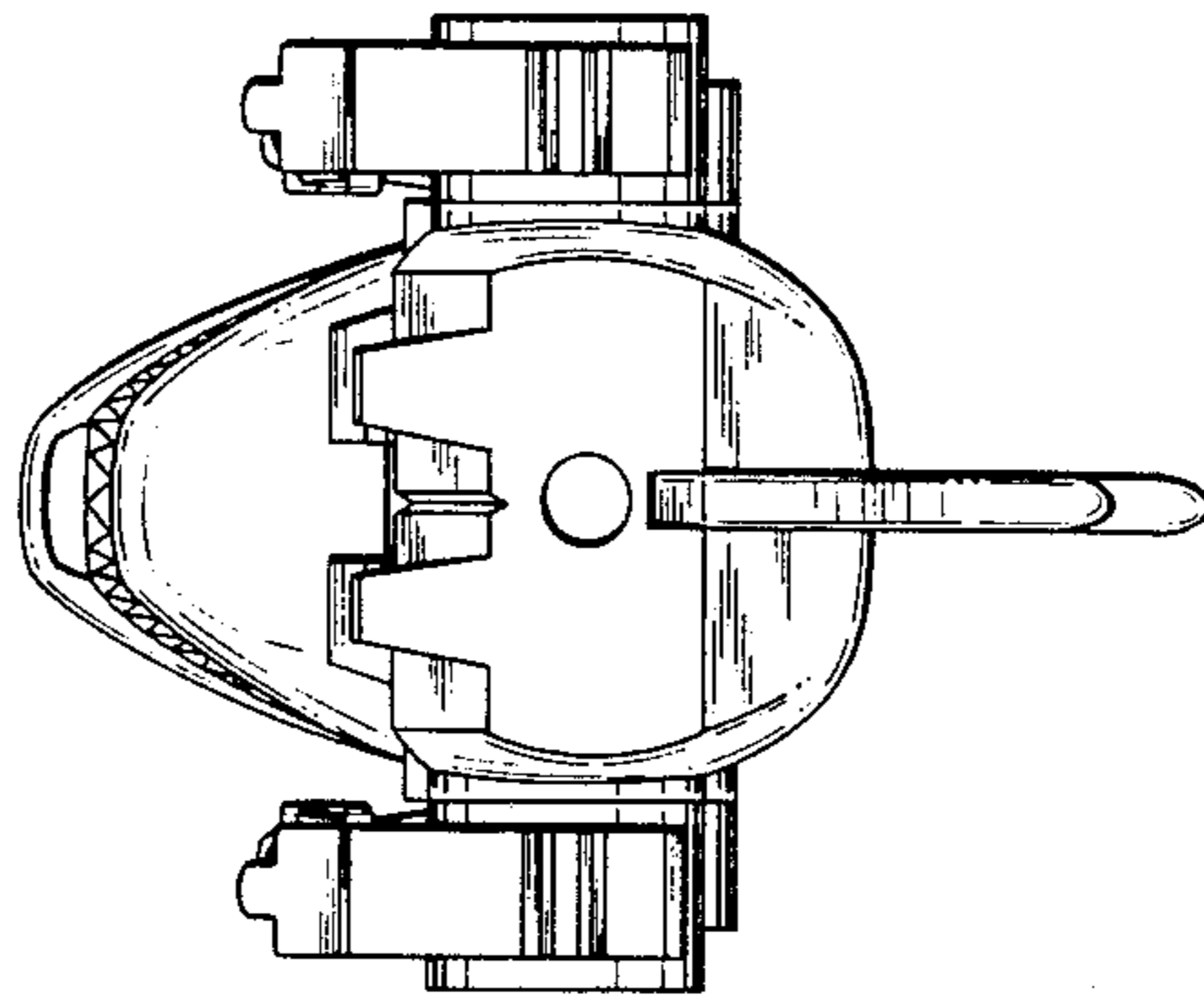


FIG. 7

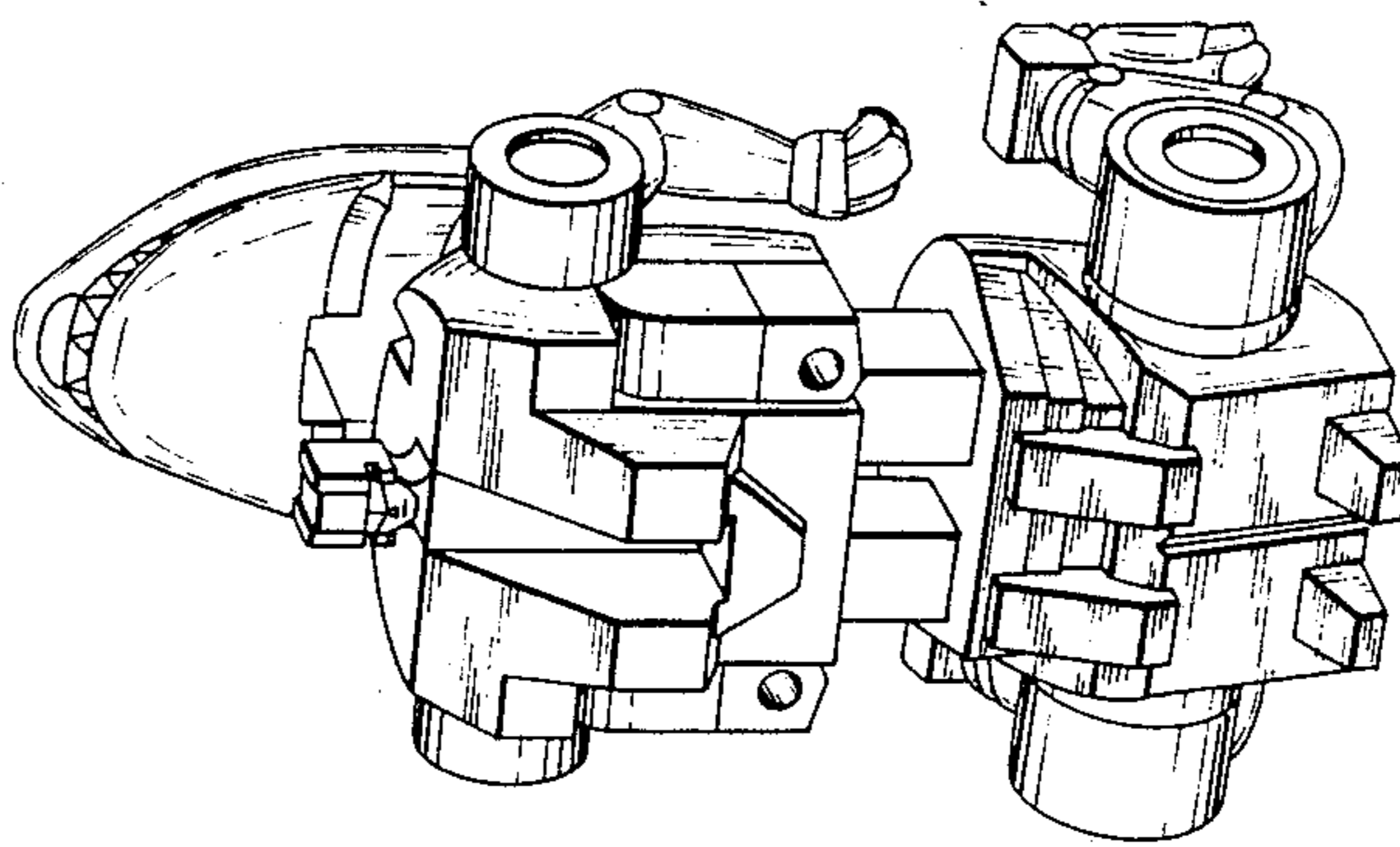


FIG. 8

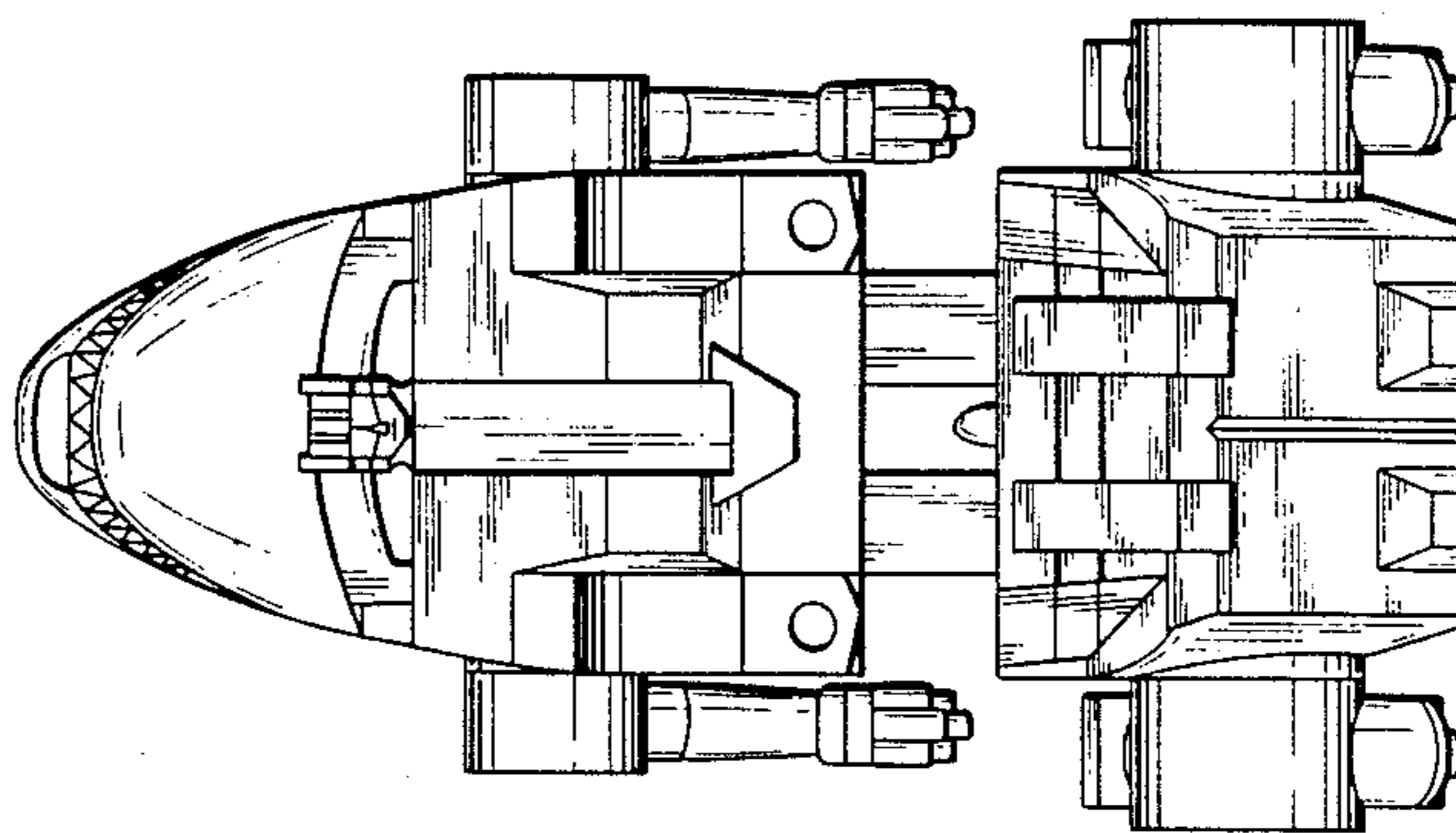


FIG. 9

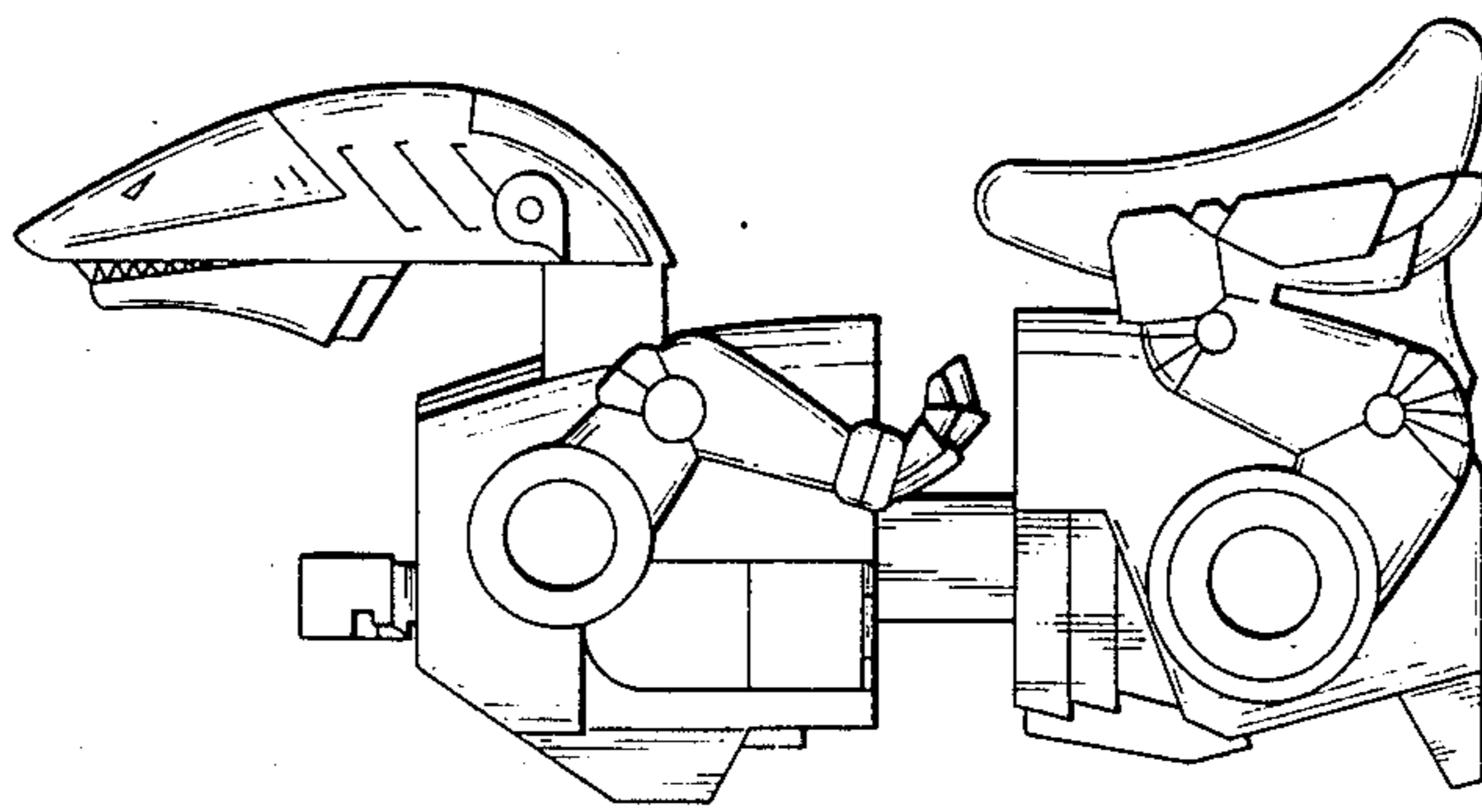


FIG. 11

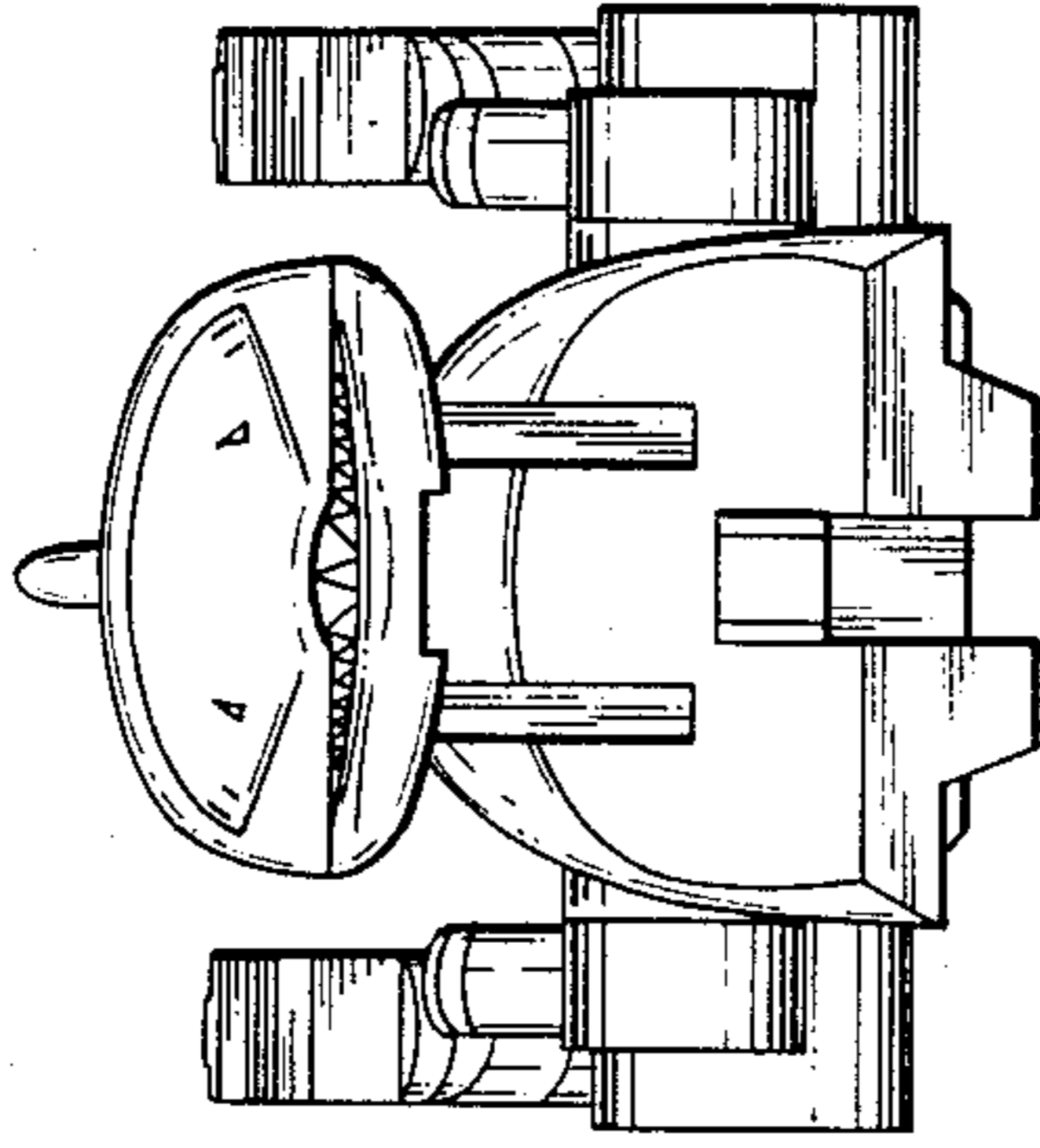


FIG. 12

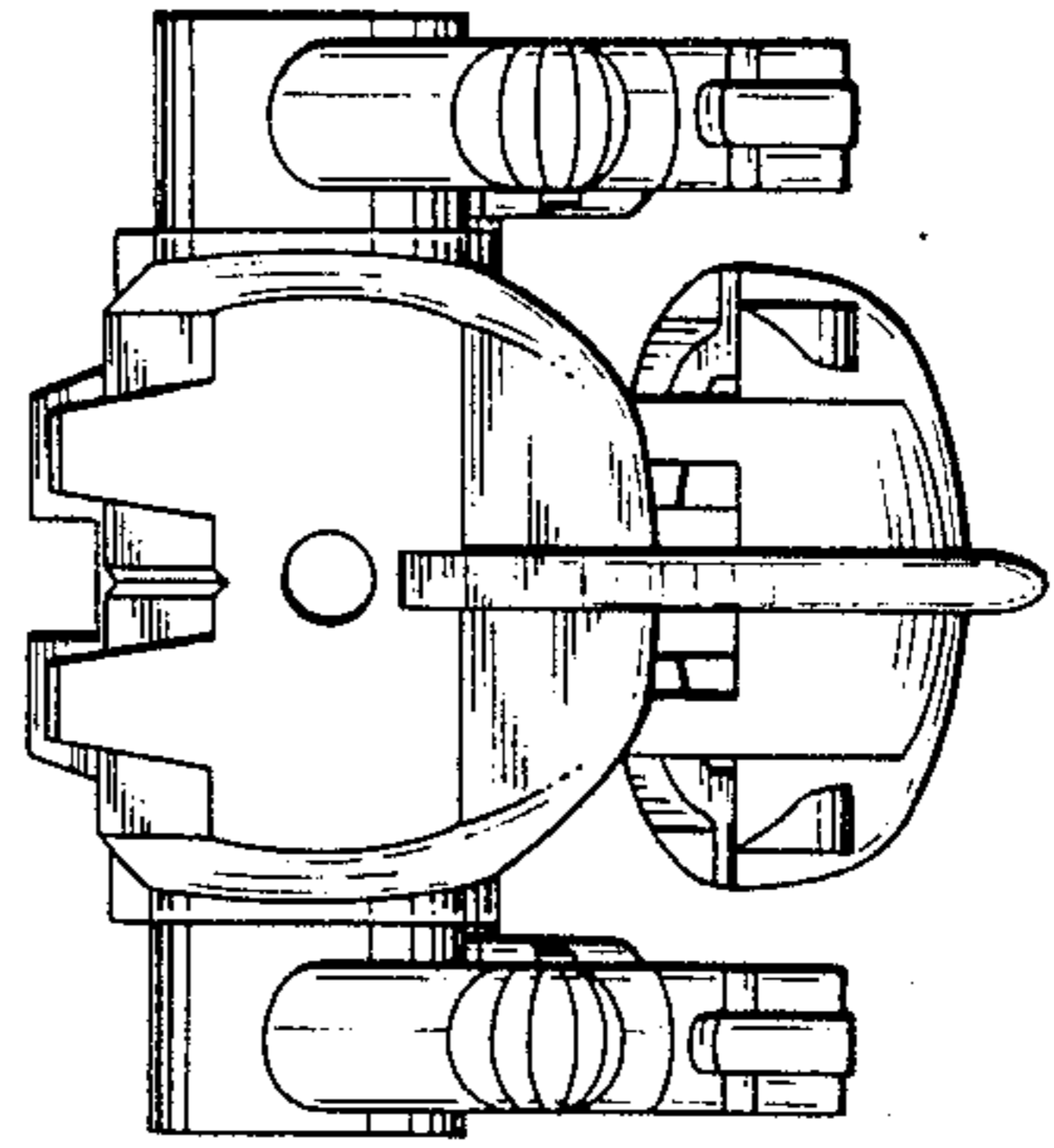


FIG. 10

