

[54] **ROBOTIC HUMANOID TOY ASSEMBLY**

[75] **Inventor: Muneyoshi Shinohara, Matsudo, Japan**

[73] **Assignee: Takara Co., Ltd., Tokyo, Japan**

[**] **Term: 14 Years**

[21] **Appl. No.: 5,141**

[22] **Filed: Jan. 20, 1987**

[30] **Foreign Application Priority Data**

Nov. 18, 1986 [JP] Japan 61-45590
[52] **U.S. Cl. D21/150**
[58] **Field of Search D21/150; 273/376, 487, 273/97-100, 71-75**

[56]

References Cited

U.S. PATENT DOCUMENTS

D. 287,378 12/1986 Ohno D21/150
D. 295,060 4/1988 Ohno D21/150
D. 296,913 7/1988 Shibukawa D21/150

Primary Examiner—Melvin B. Feifer
Attorney, Agent, or Firm—Price, Gess & Ubell

[57]

CLAIM

The ornamental design for a robotic humanoid toy assembly, as shown and described.

DESCRIPTION

FIG. 1 is a front perspective view of an assembled toy robotic humanoid showing my design;
FIG. 2 is a front elevational view thereof;
FIG. 3 is a right side elevational view thereof;
FIG. 4 is a left side elevational view thereof;
FIG. 5 is a rear elevational view thereof;
FIG. 6 is a top plan view thereof, and
FIG. 7 is a bottom plan view thereof.

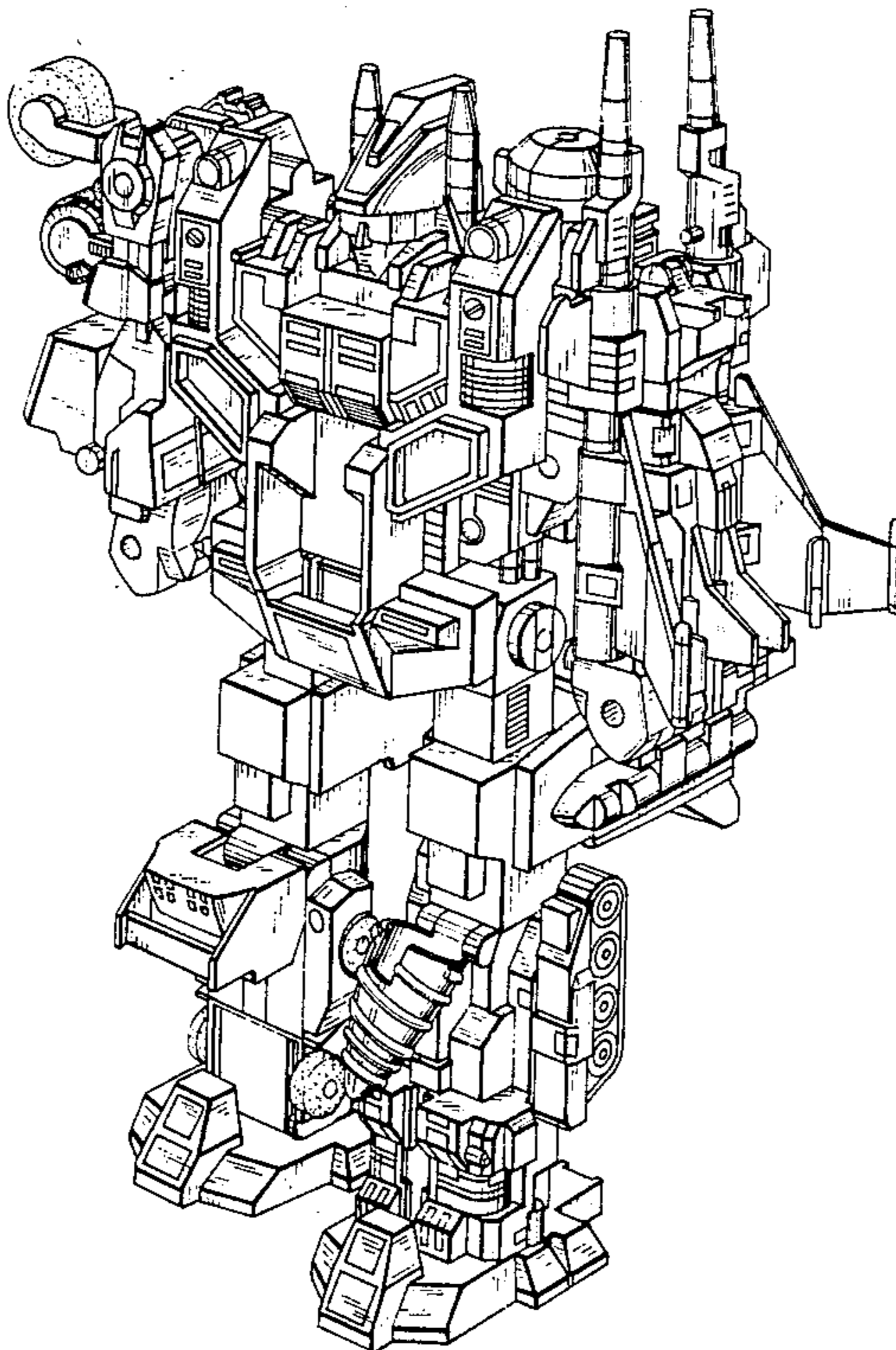


FIG. 1

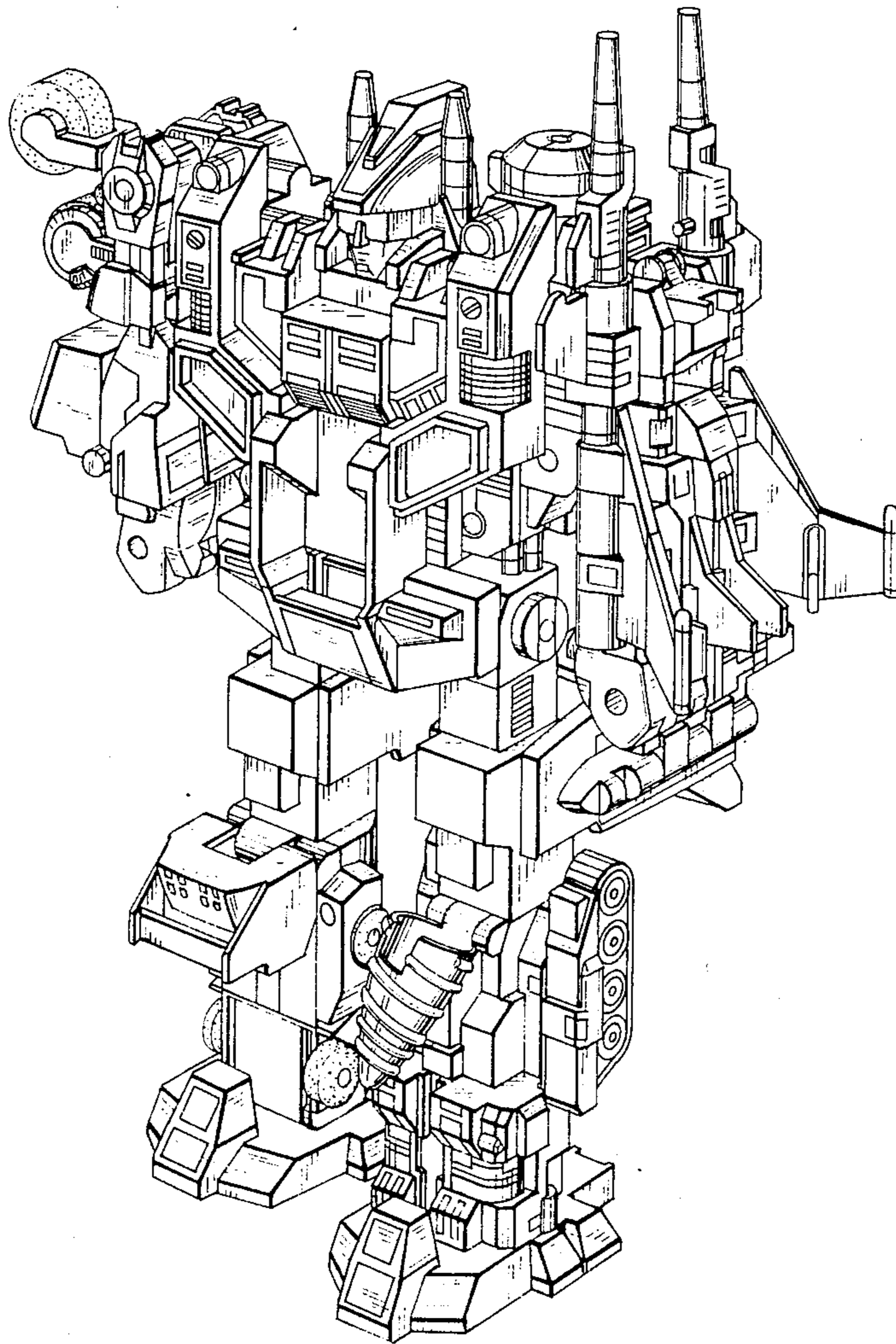


FIG. 2

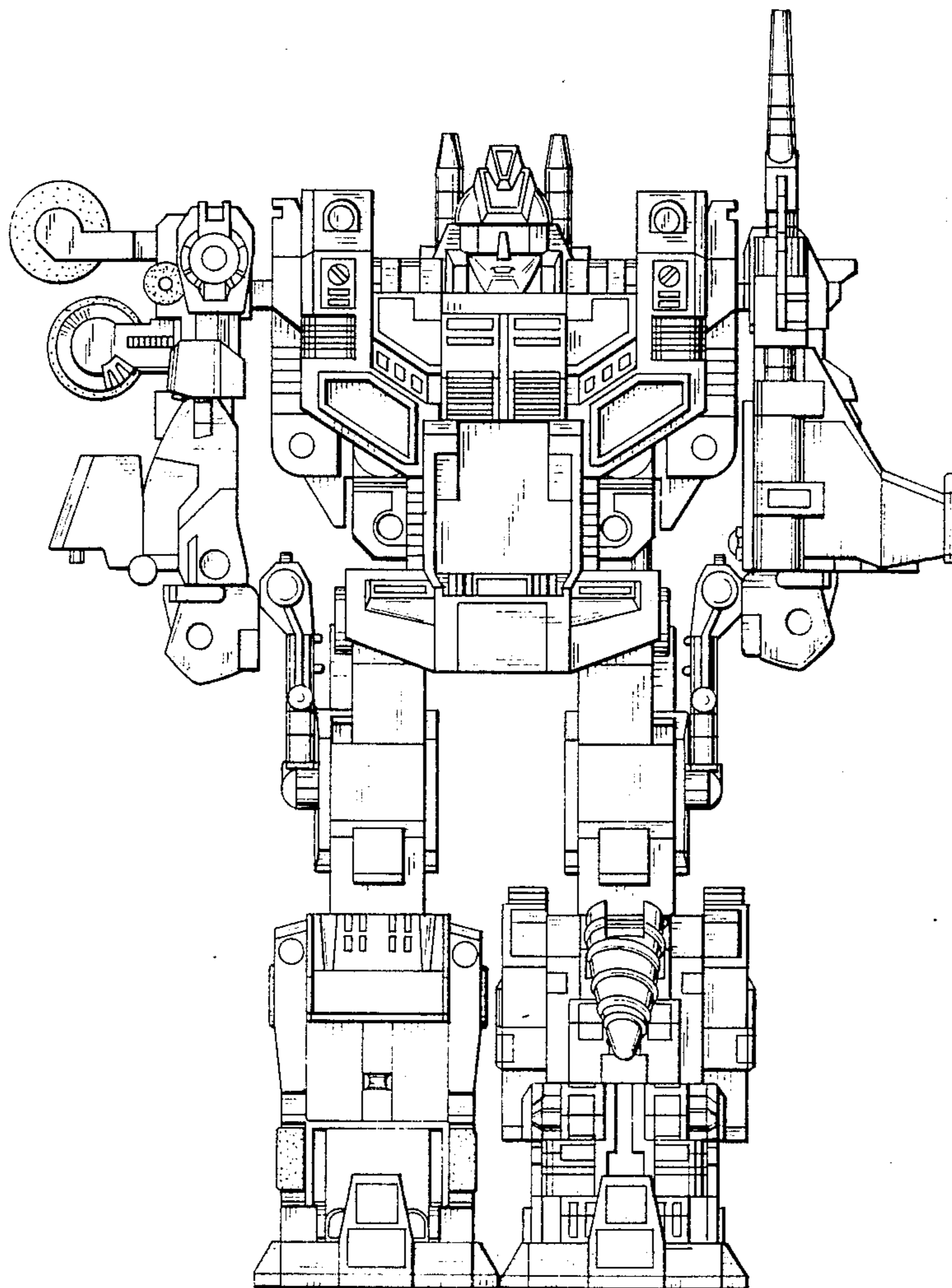


FIG. 3

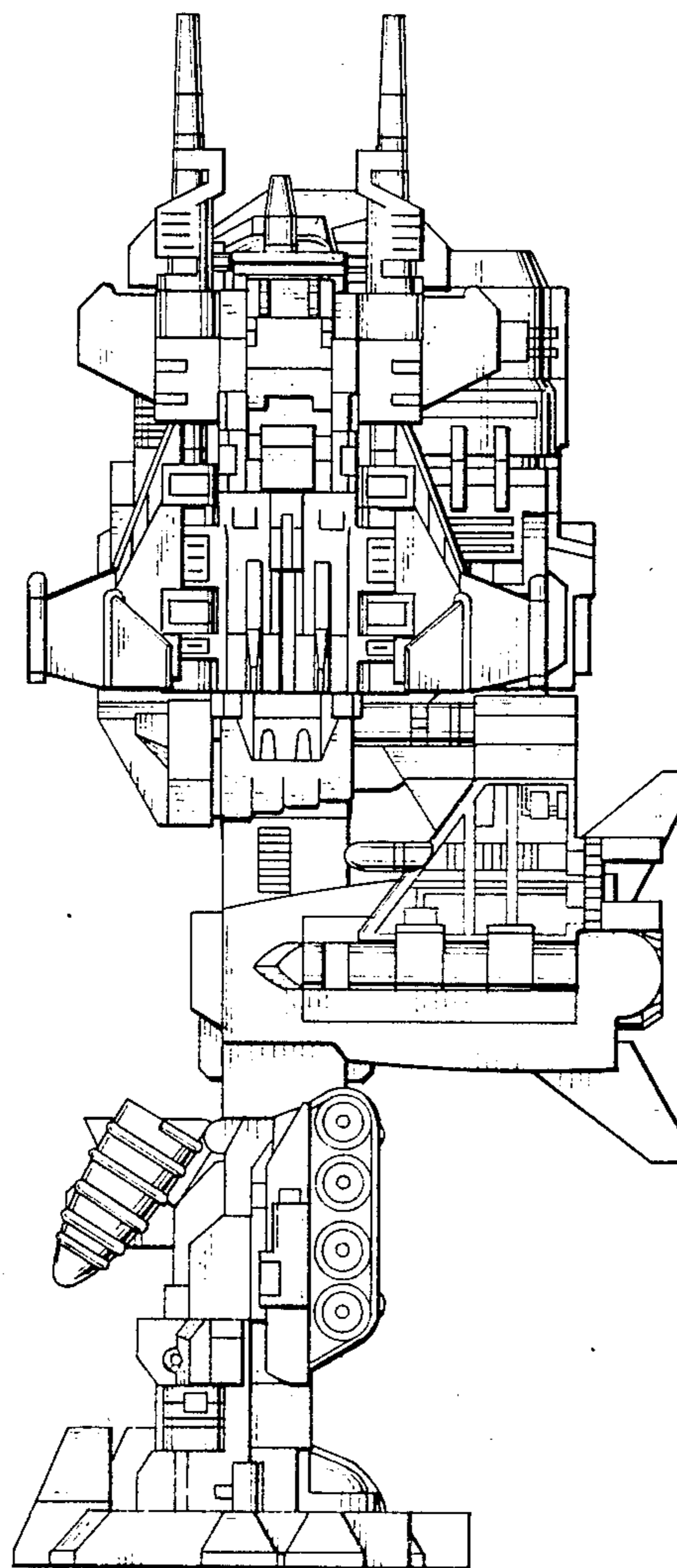


FIG. 4

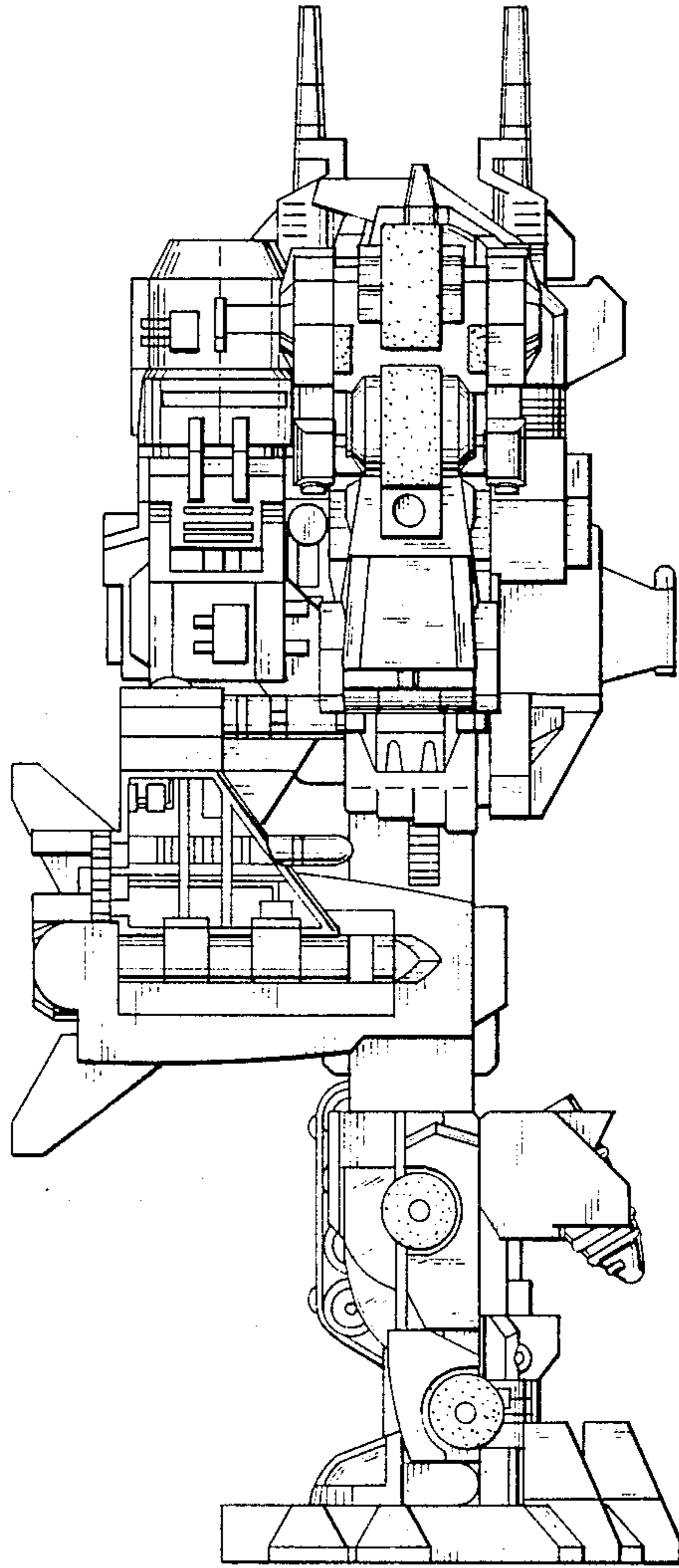


FIG. 5

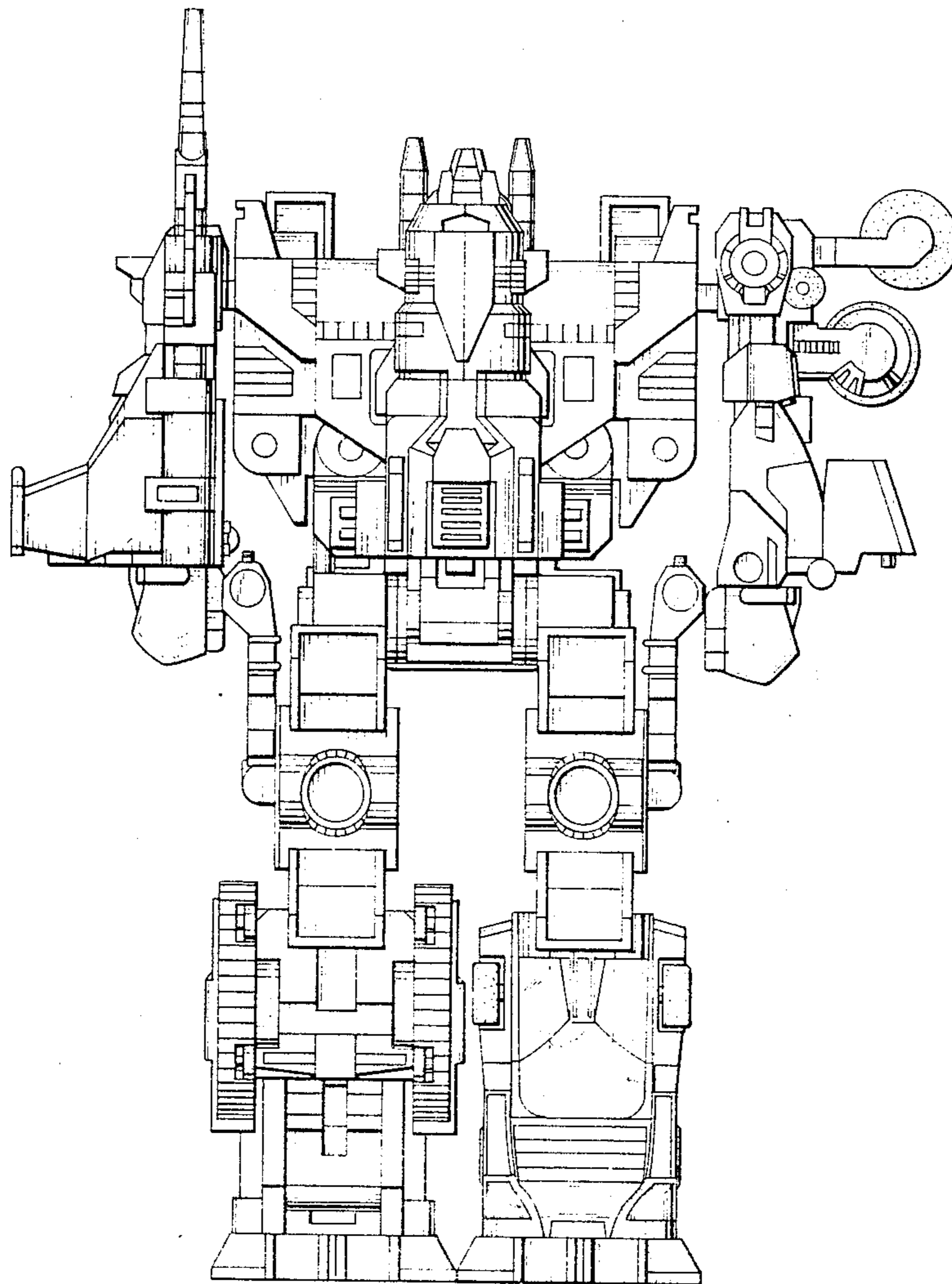


FIG. 6

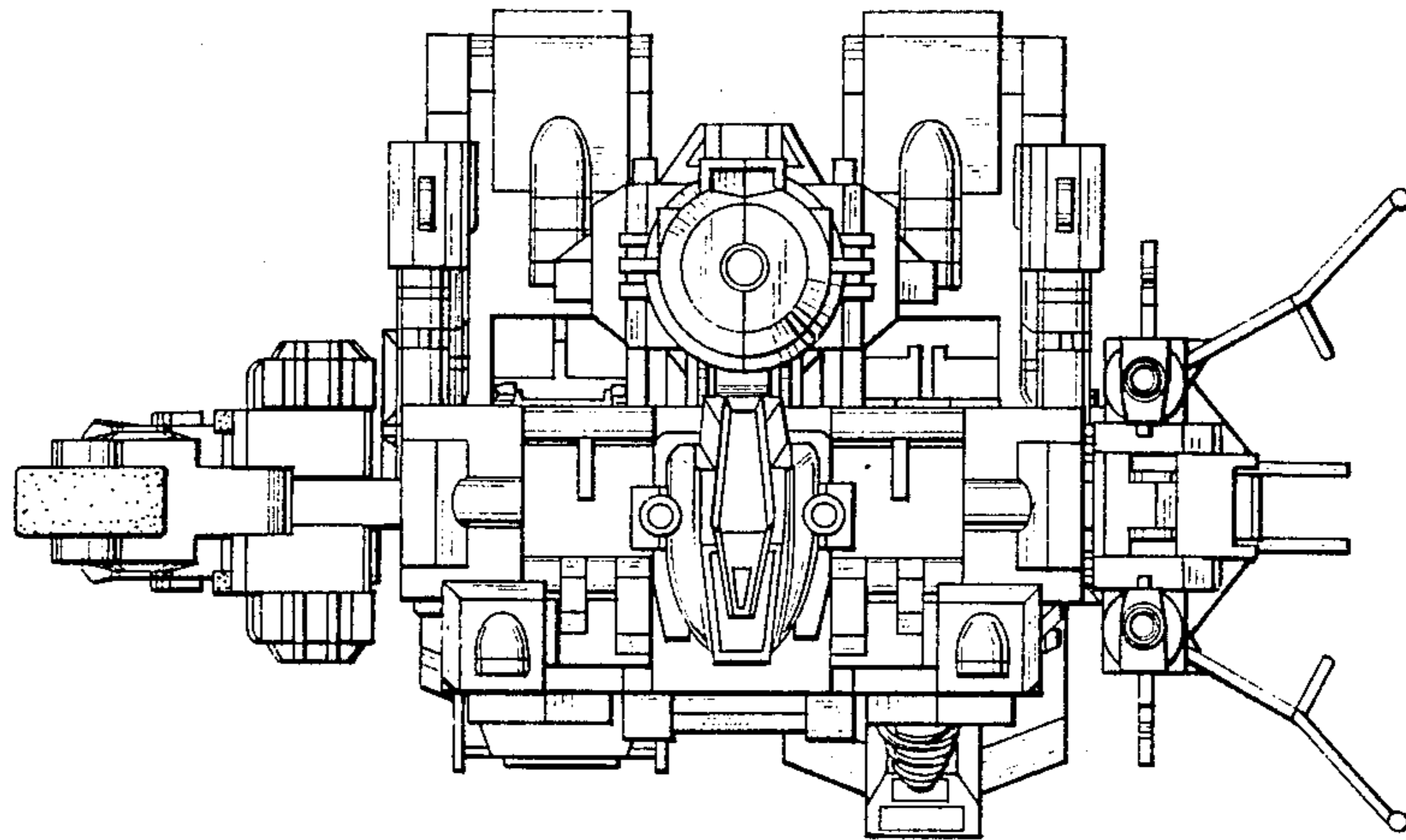


FIG. 7

