

[54] **RECONFIGURABLE TOY MONSTER**

[75] **Inventor: Daishirou Shibukawa, Matsudo, Japan**

[73] **Assignee: Takara Co., Ltd., Tokyo, Japan**

[\*\*] **Term: 14 Years**

[21] **Appl. No.: 11,709**

[22] **Filed: Feb. 6, 1987**

[30] **Foreign Application Priority Data**

Dec. 2, 1986 [JP] Japan ..... 61-47696  
[52] **U.S. Cl. .... D21/148; D21/150**  
[58] **Field of Search ..... D21/150, 149, 148;**  
273/376, 487, 97-100, 71-75

[56] **References Cited**

**U.S. PATENT DOCUMENTS**

D. 286,901 11/1986 Ohno ..... D21/150  
4,680,022 7/1987 Hoshino et al. .... 446/487

*Primary Examiner*—Melvin B. Feifer

*Attorney, Agent, or Firm*—Price, Gess & Ubell

[57] **CLAIM**

The ornamental design for a reconfigurable toy monster, as shown and described.

**DESCRIPTION**

FIG. 1 is a front perspective view of a reconfigurable toy monster showing my new design;  
FIG. 2 is a front elevational view thereof;  
FIG. 3 is a right side elevational view thereof, the side opposite being a mirror image;  
FIG. 4 is a rear elevational view thereof;  
FIG. 5 is a top plan view thereof;  
FIG. 6 is a bottom plan view thereof;  
FIG. 7 is another front perspective view of the design shown in FIGS. 1 through 6 in a humanoid robot configuration;  
FIG. 8 is a front elevational view thereof;  
FIG. 9 is a right side elevational view thereof, the side opposite being a mirror image;  
FIG. 10 is a rear elevational view thereof;  
FIG. 11 is a top plan view thereof; and  
FIG. 12 is a bottom plan view thereof.

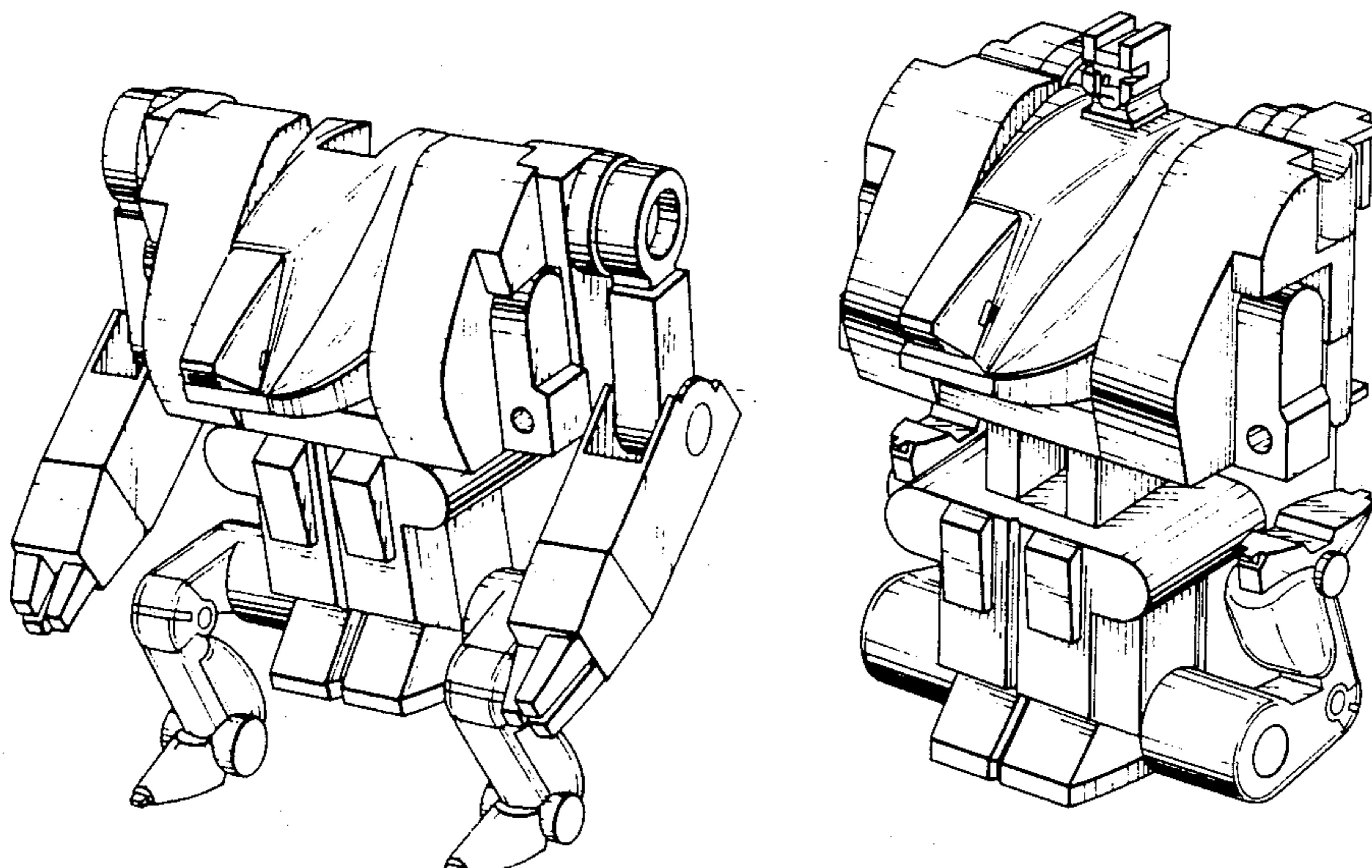


FIG. 1

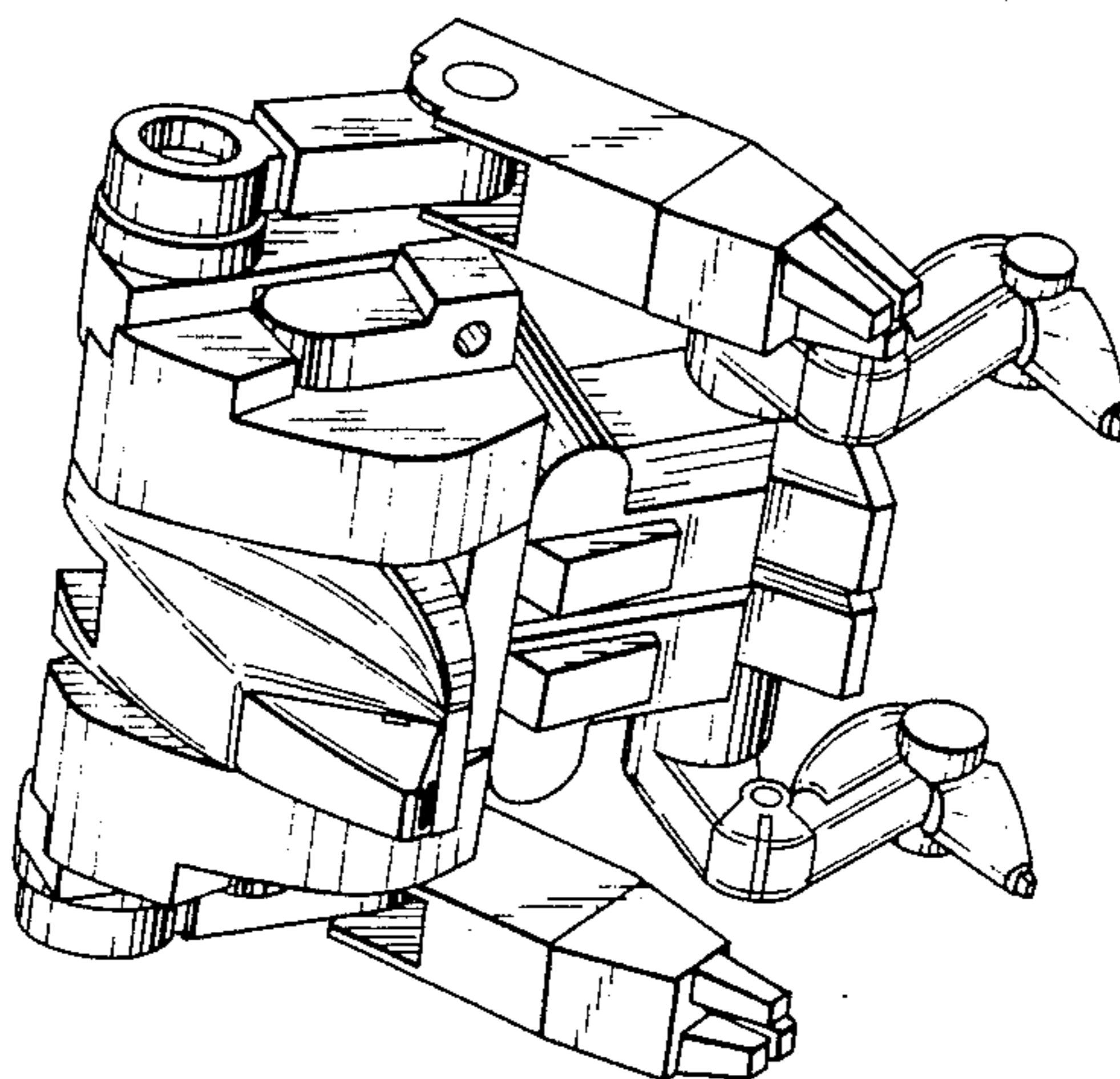


FIG. 2

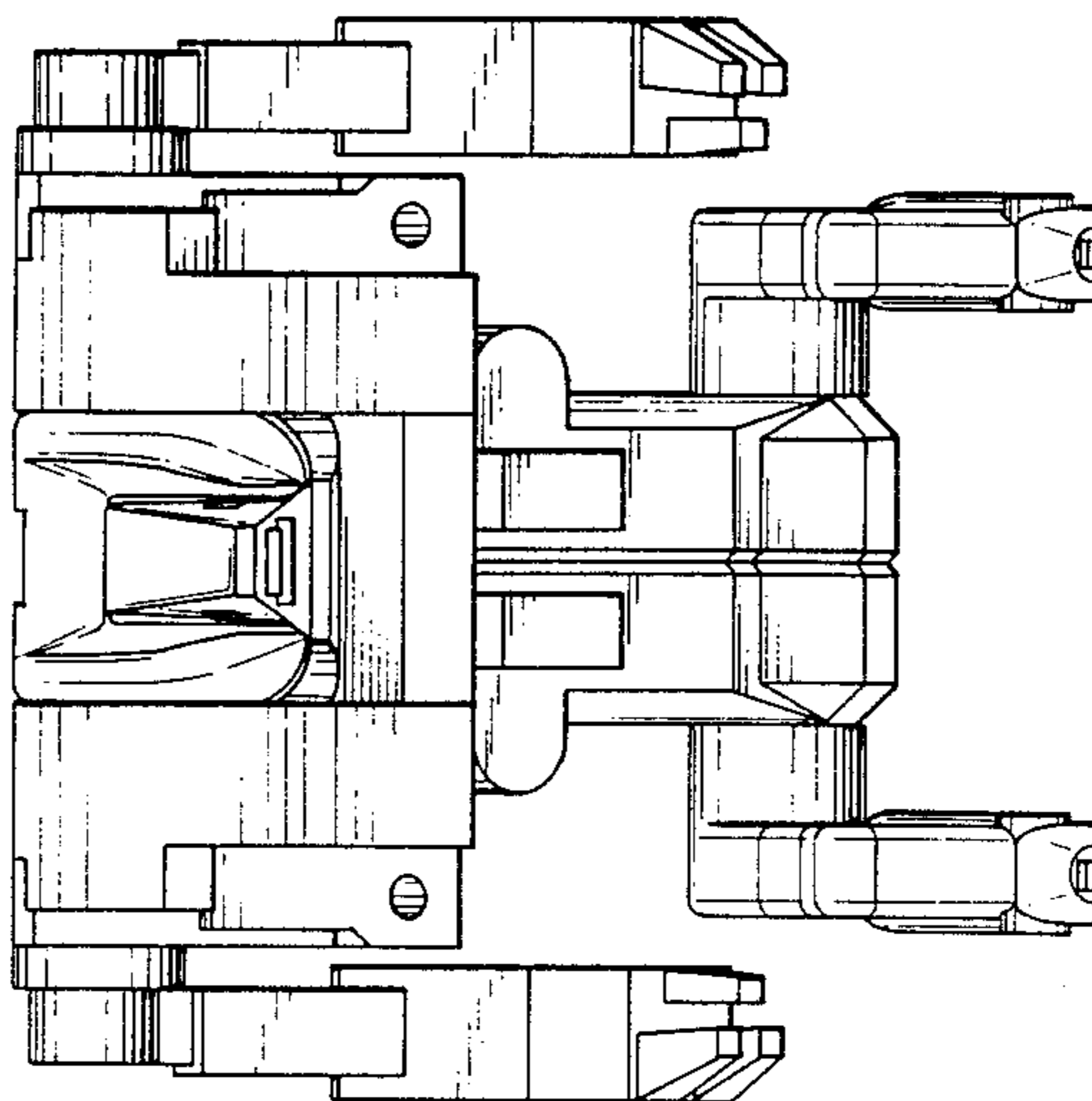


FIG. 3

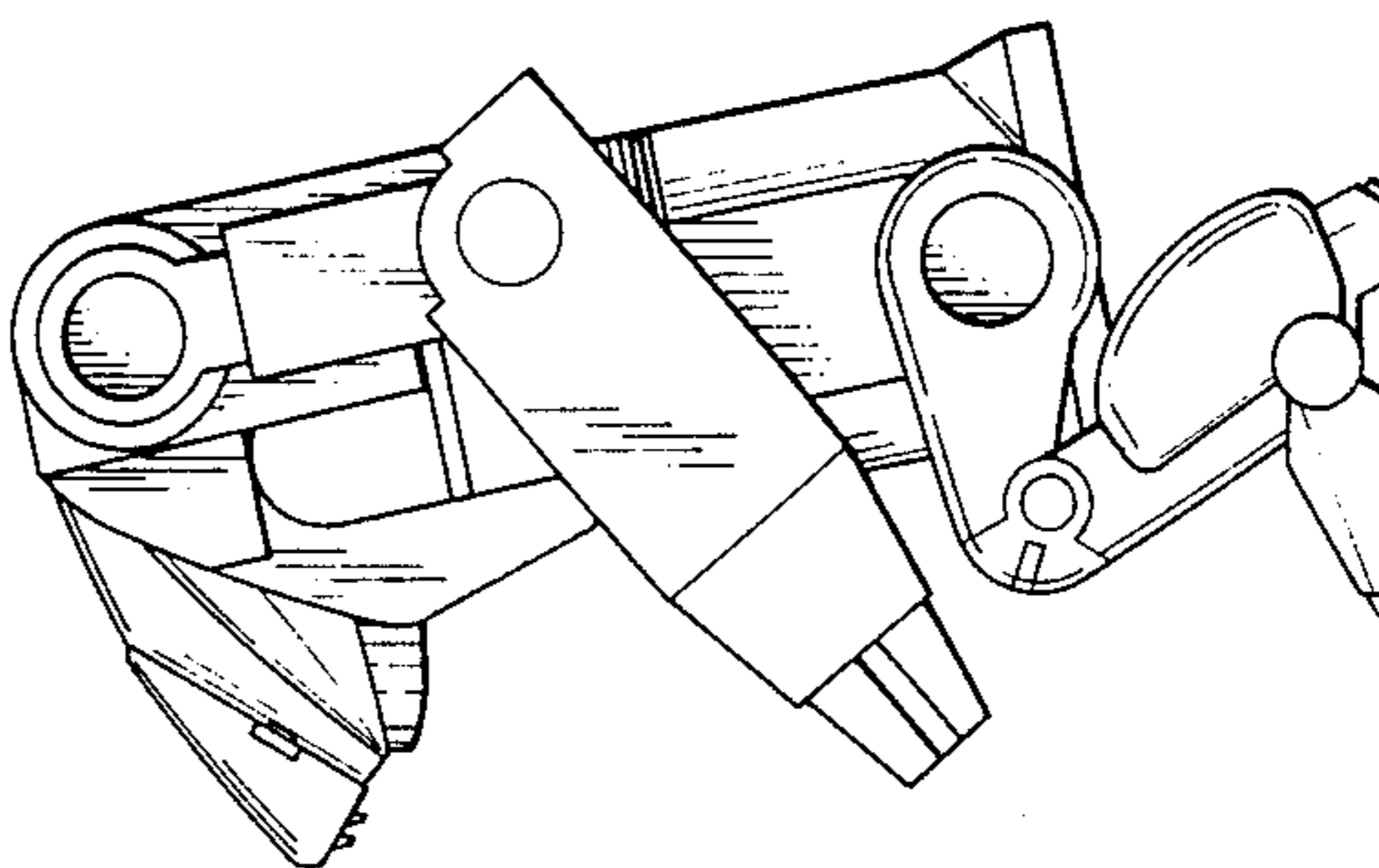


FIG. 5

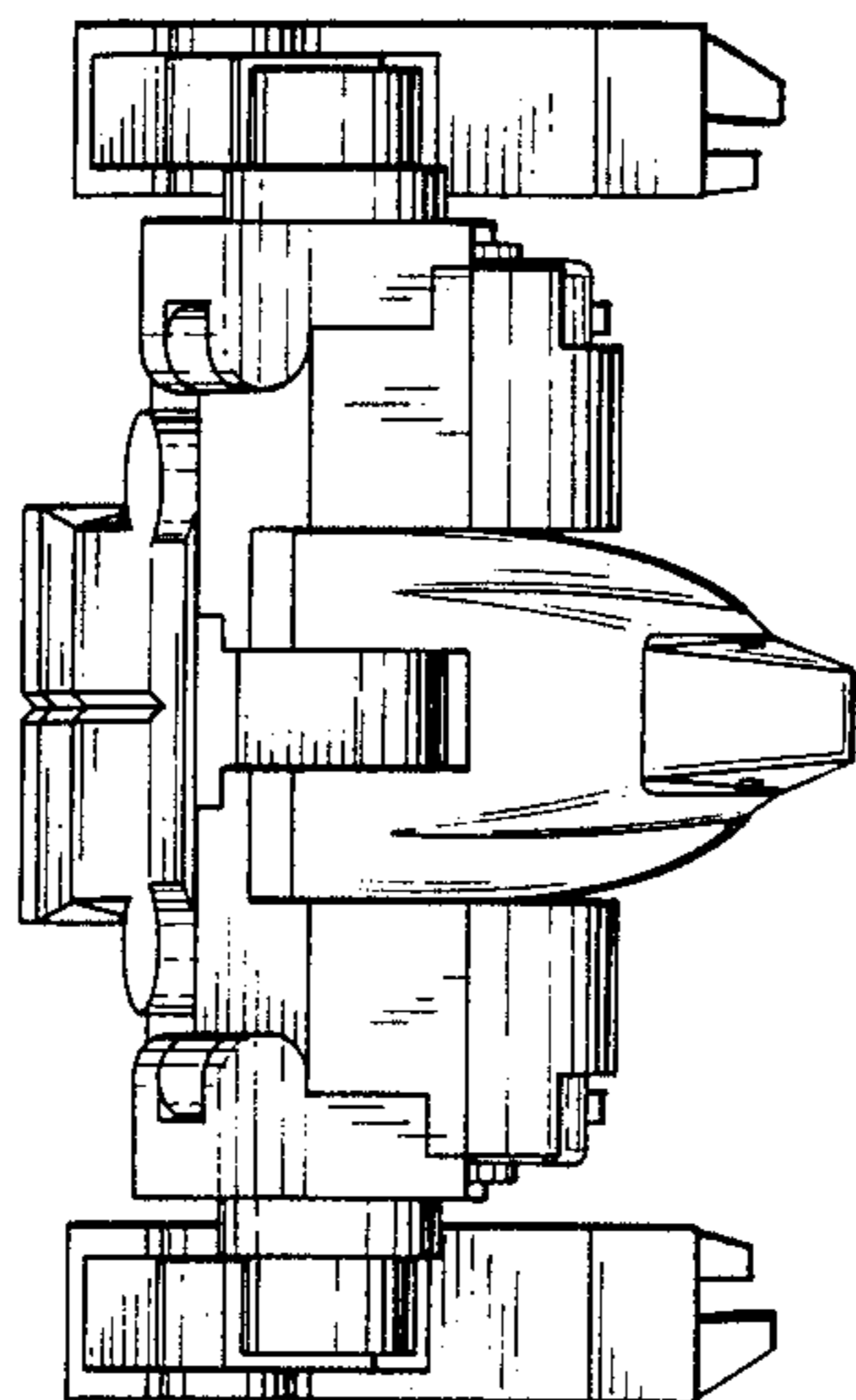


FIG. 6

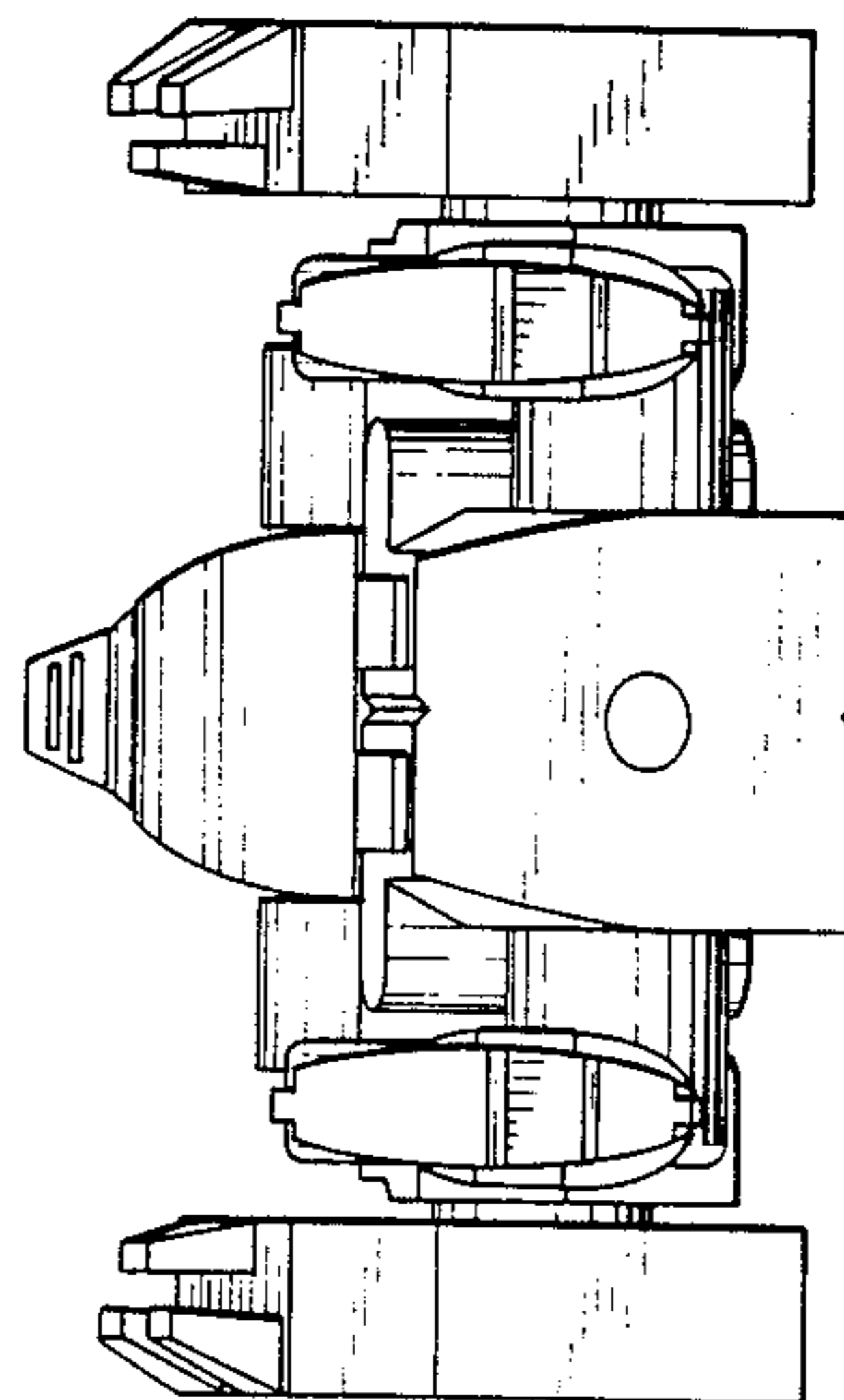


FIG. 4

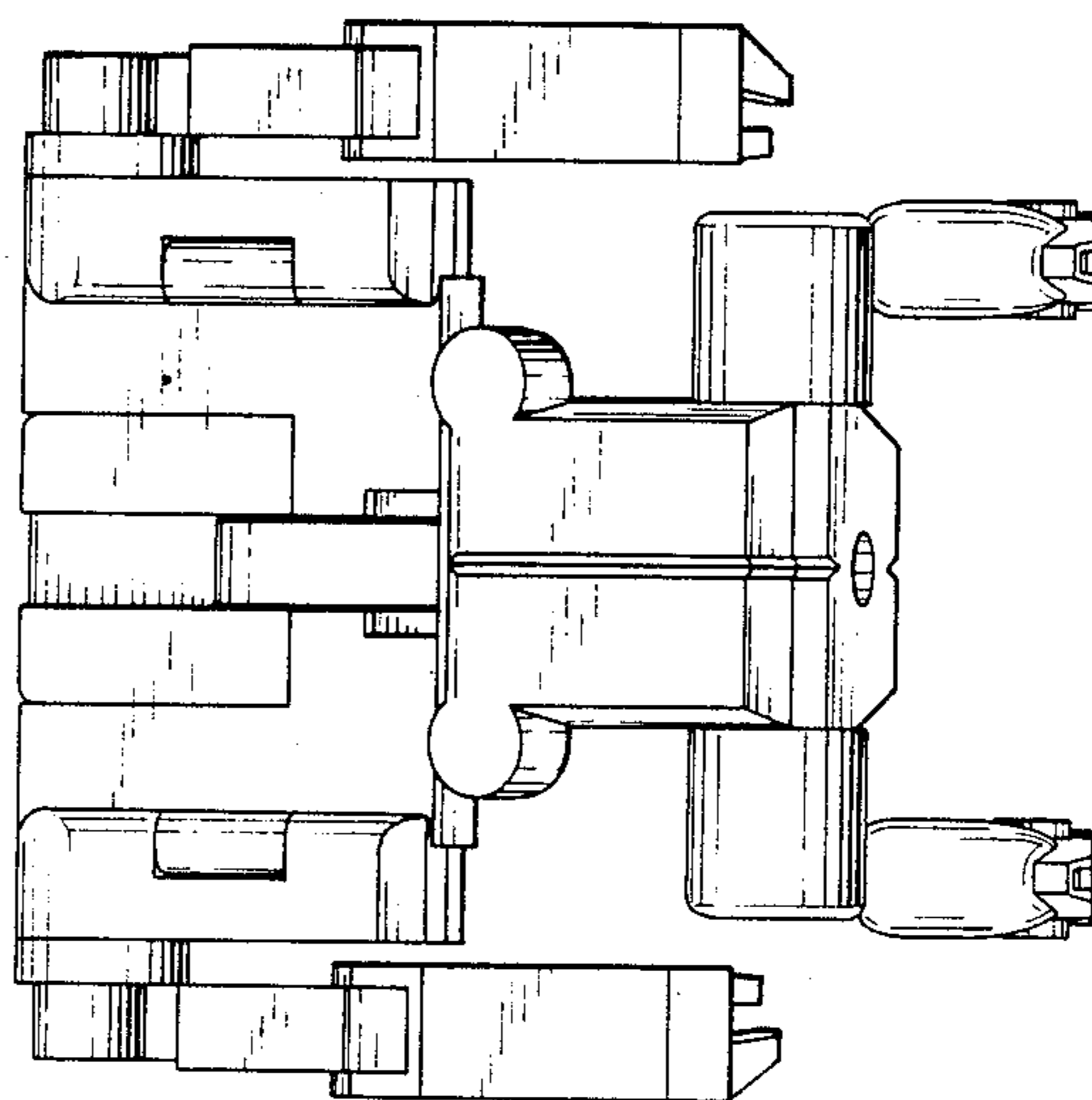


FIG. 7

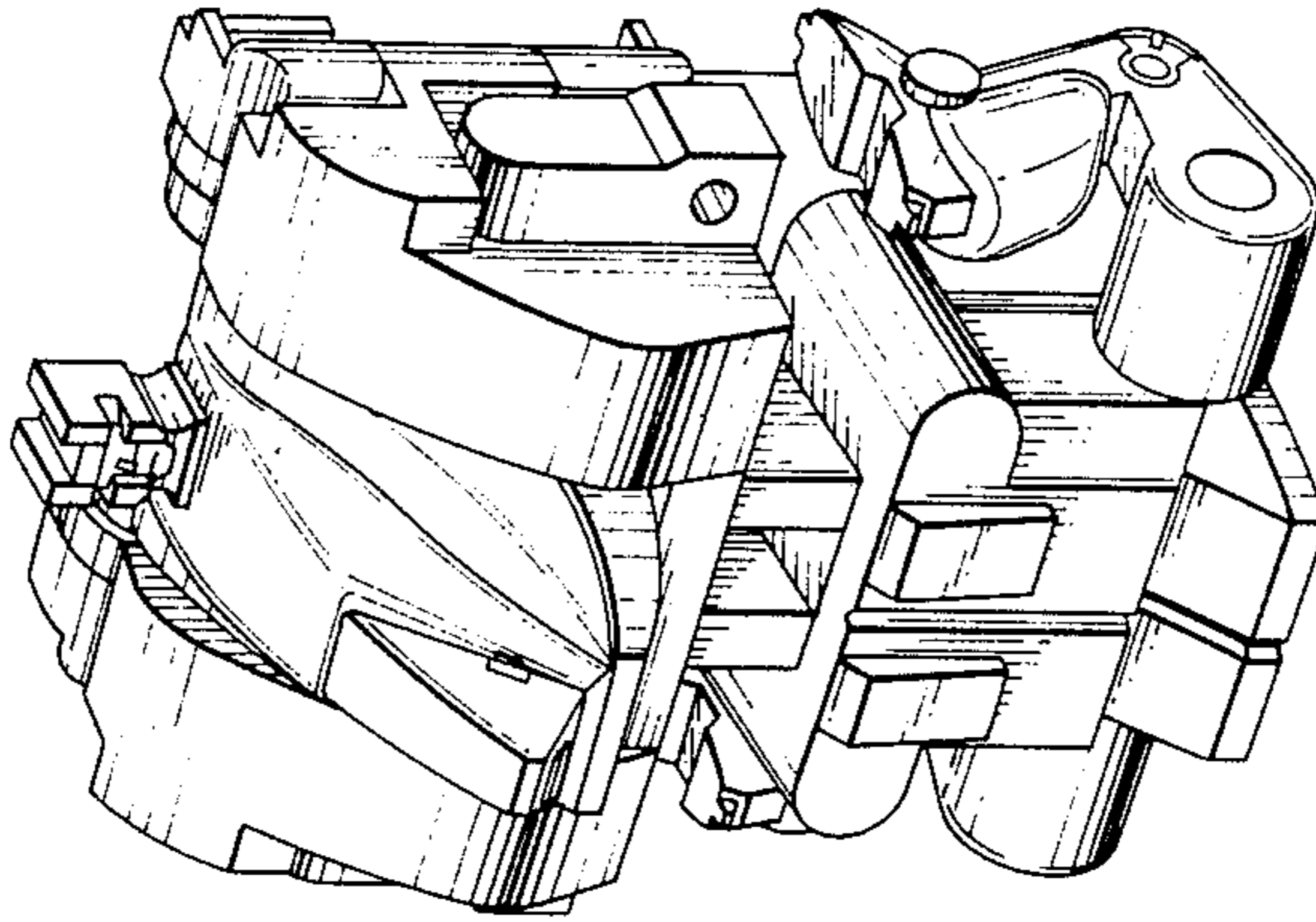


FIG. 8

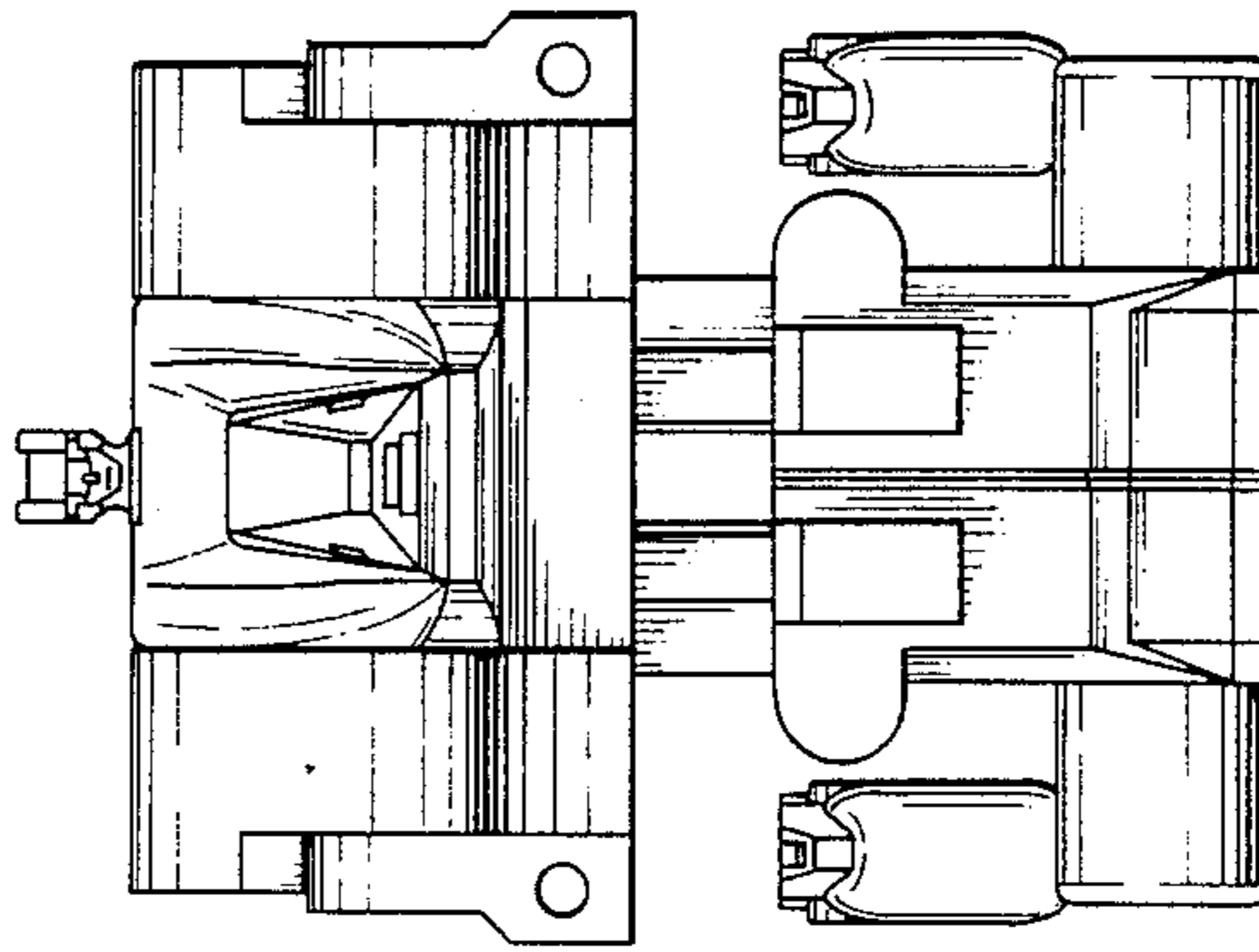


FIG. 9

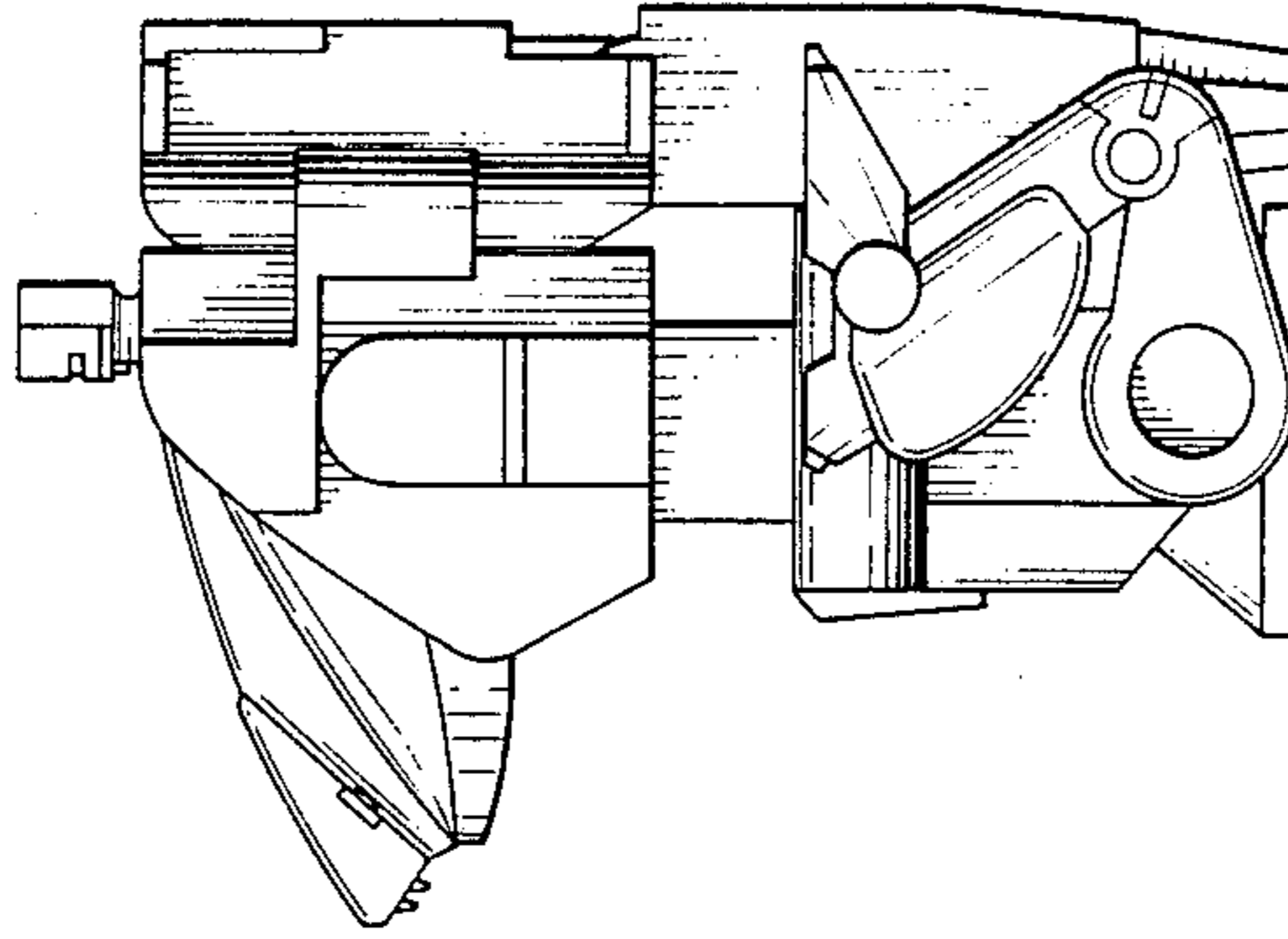


FIG. 11

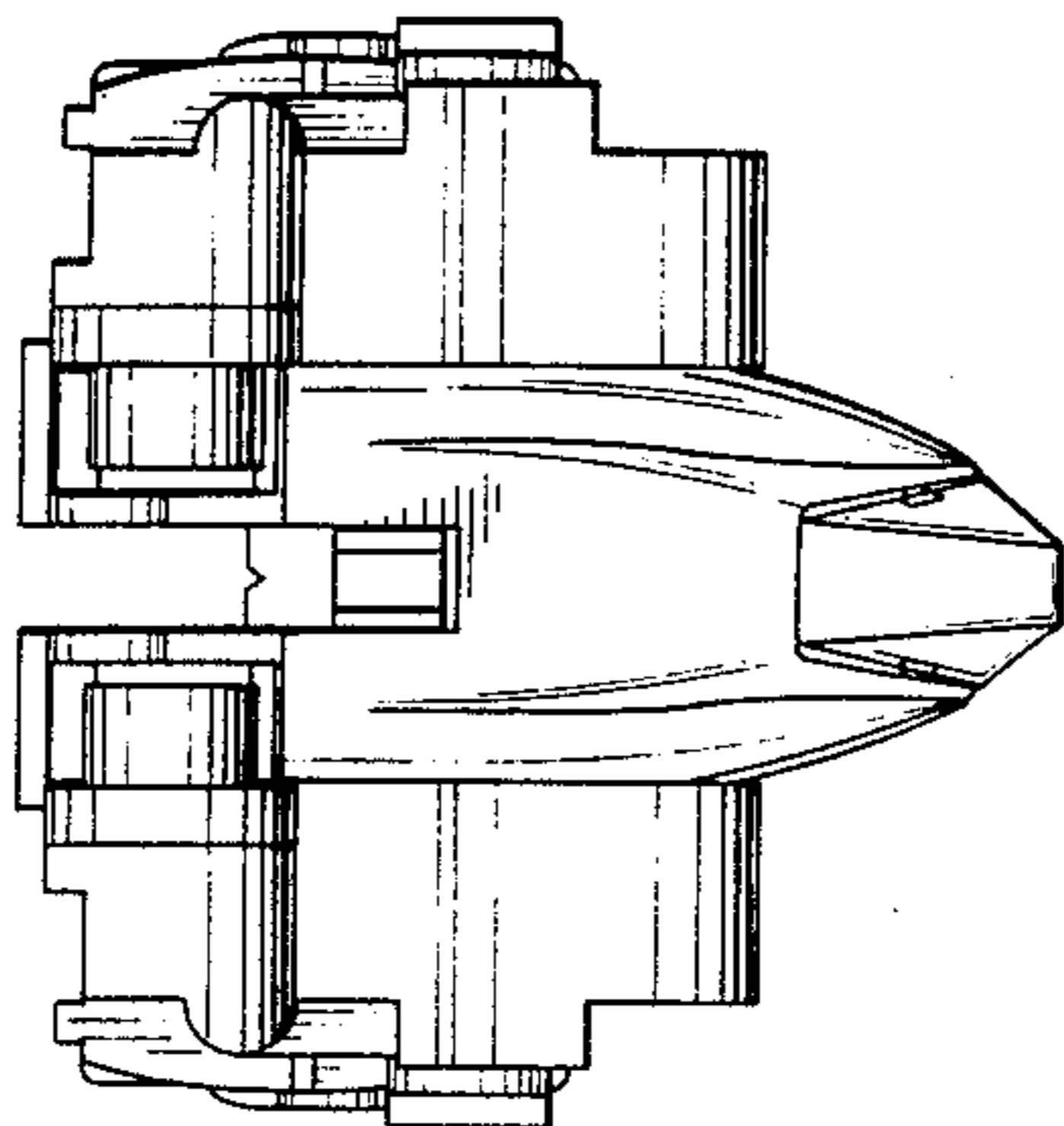


FIG. 12

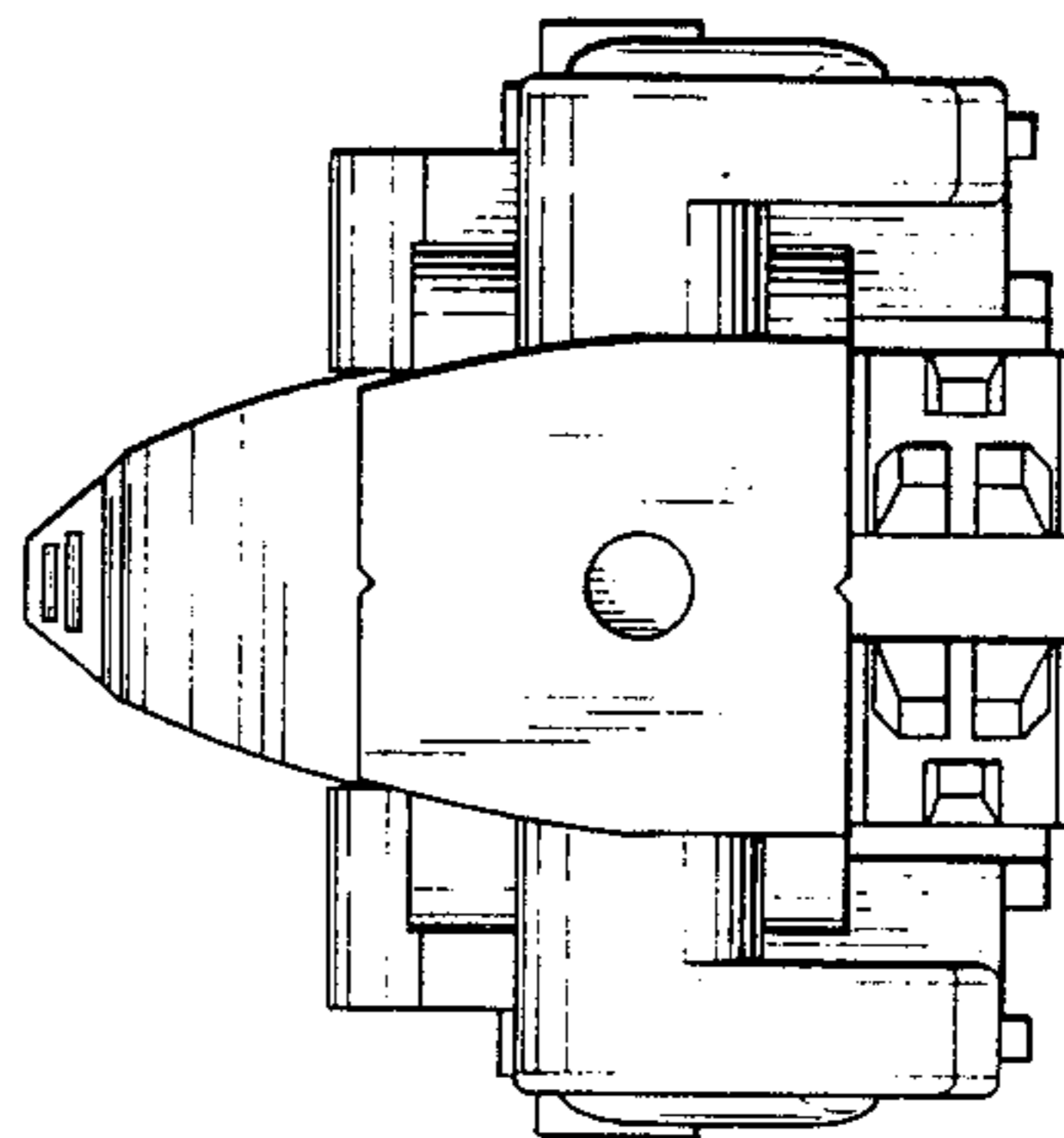


FIG. 10

