

[54] **AERIAL DISK**

[76] **Inventor: Jim Hill, 6018 Innes Trace Rd.,
Louisville, Ky. 40202**

[**] **Term: 14 Years**

[21] **Appl. No.: 916,030**

[22] **Filed: Oct. 6, 1986**

[52] **U.S. Cl. D21/86**

[58] **Field of Search D21/1, 2, 49, 86, 85;
244/12.2, 23 C; 273/362, 422, 424; 446/46-48,
211, 259**

[56] **References Cited**

U.S. PATENT DOCUMENTS

D. 193,245 7/1962 Knox D21/85
D. 221,967 9/1971 Sheard D21/86

D. 241,565 9/1976 Molenaar D21/85
D. 280,220 8/1985 Blight D21/85
3,580,580 5/1971 Wark D21/86
4,370,824 2/1983 Resnicow 273/424

Primary Examiner—Louis S. Zarfes
Assistant Examiner—W. Krawczewicz
Attorney, Agent, or Firm—Scott R. Cox

[57] **CLAIM**

The ornamental design for the aerial disk, as shown and described.

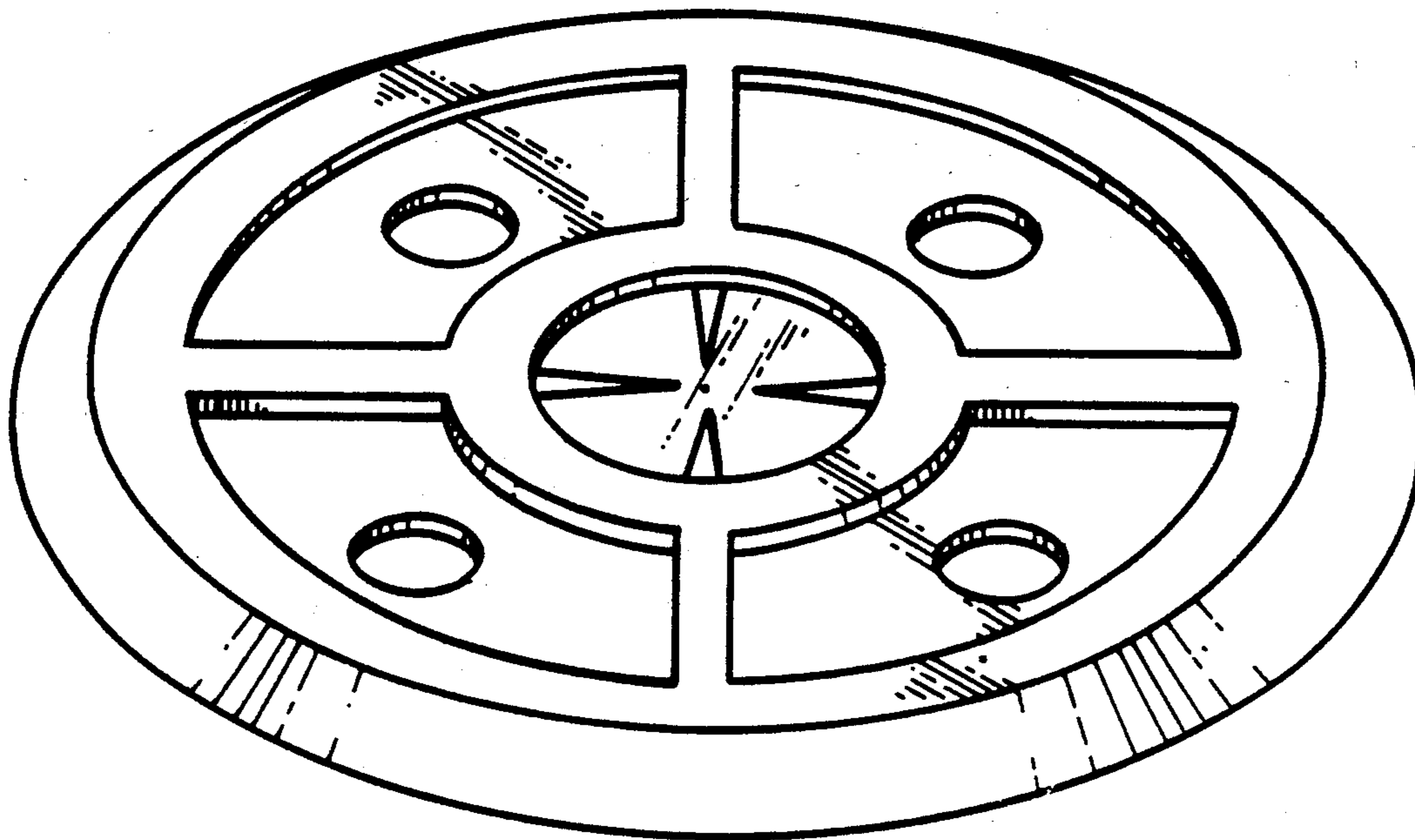
DESCRIPTION

FIG. 1 is a top plan view of a aerial dart showing my new design.

FIG. 2 is a side elevational view thereof.

FIG. 3 is a bottom plan view thereof.

FIG. 4 is a perspective view thereof.



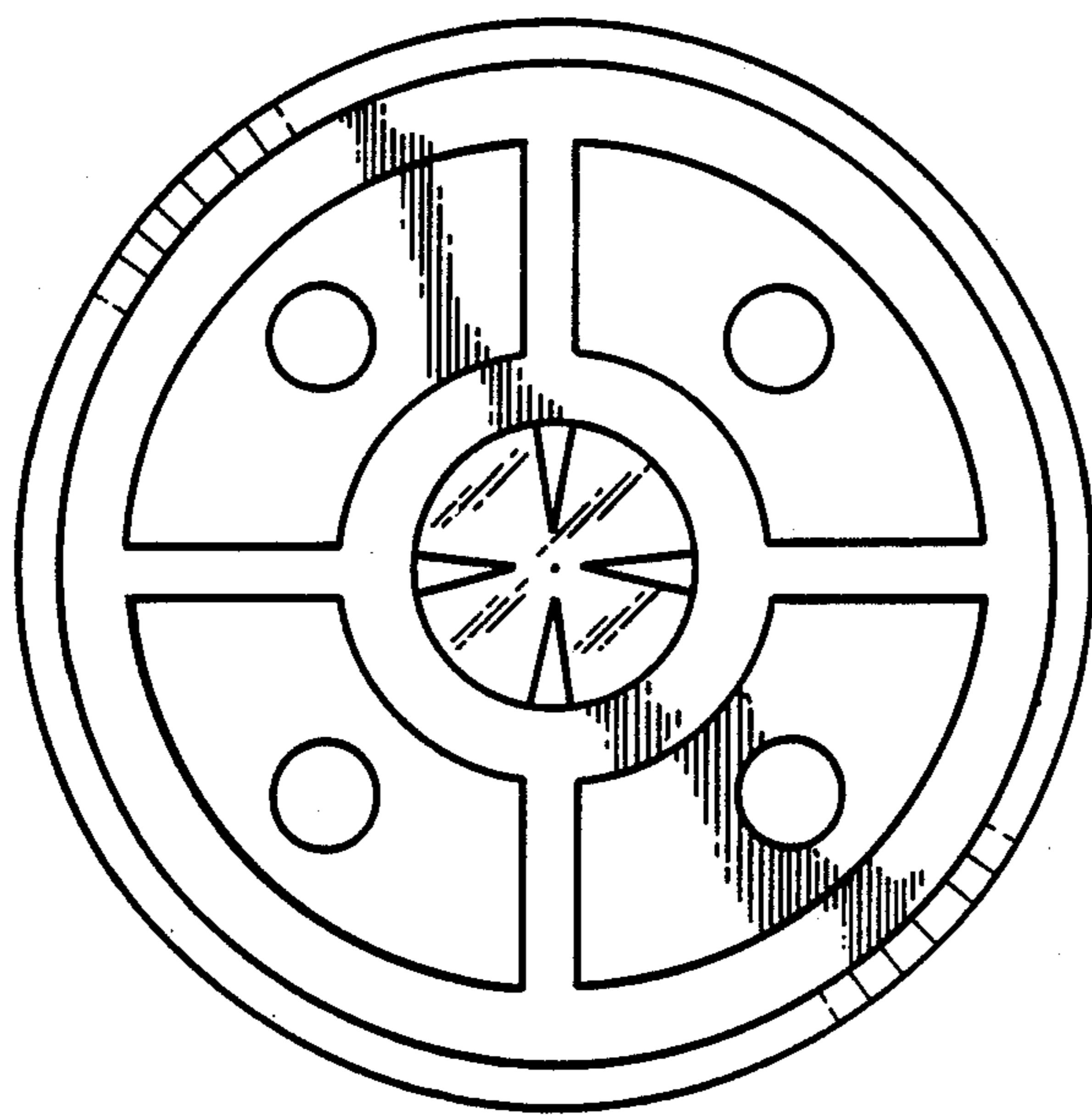


Fig. 1



Fig. 2

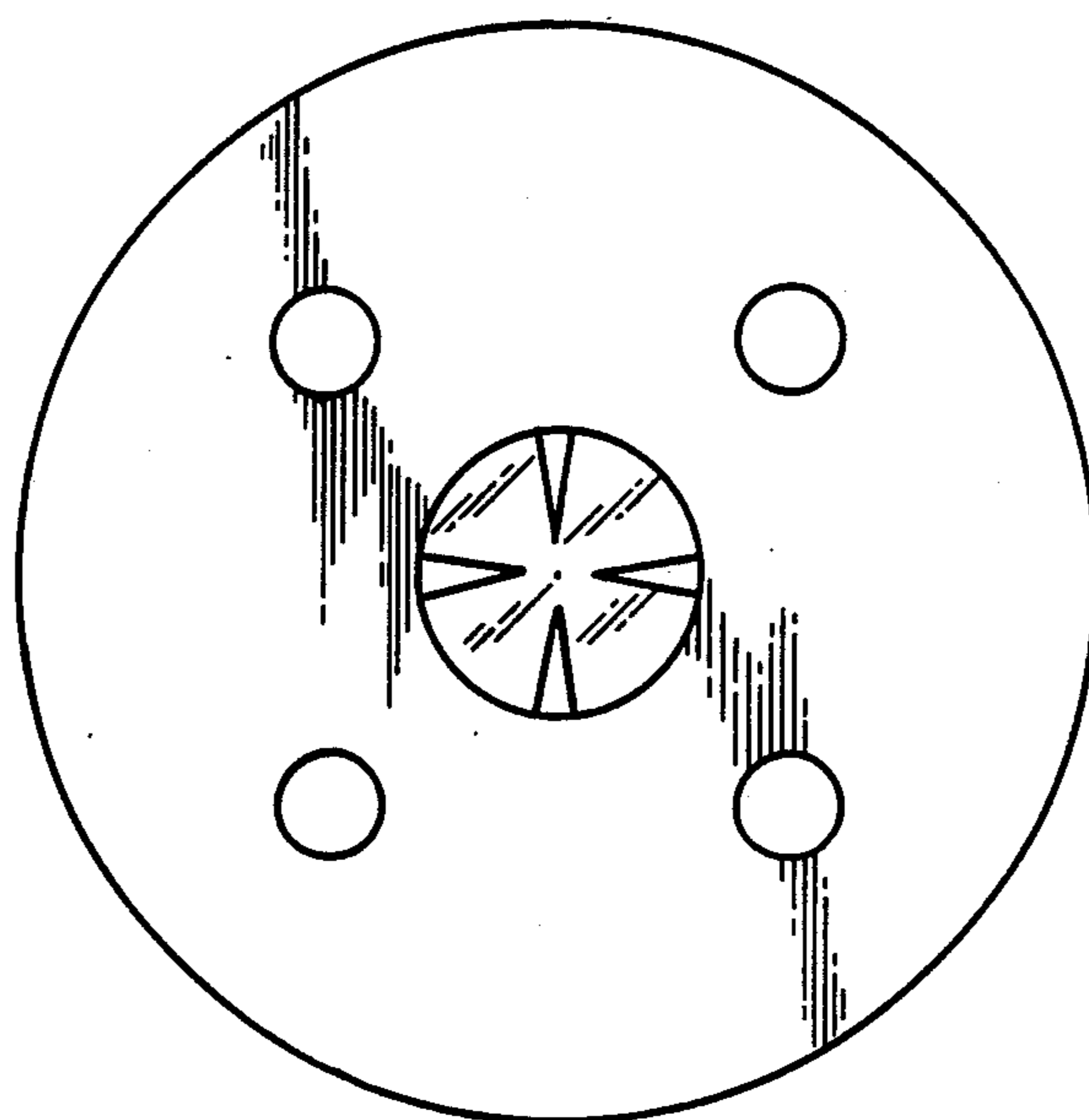


Fig. 3

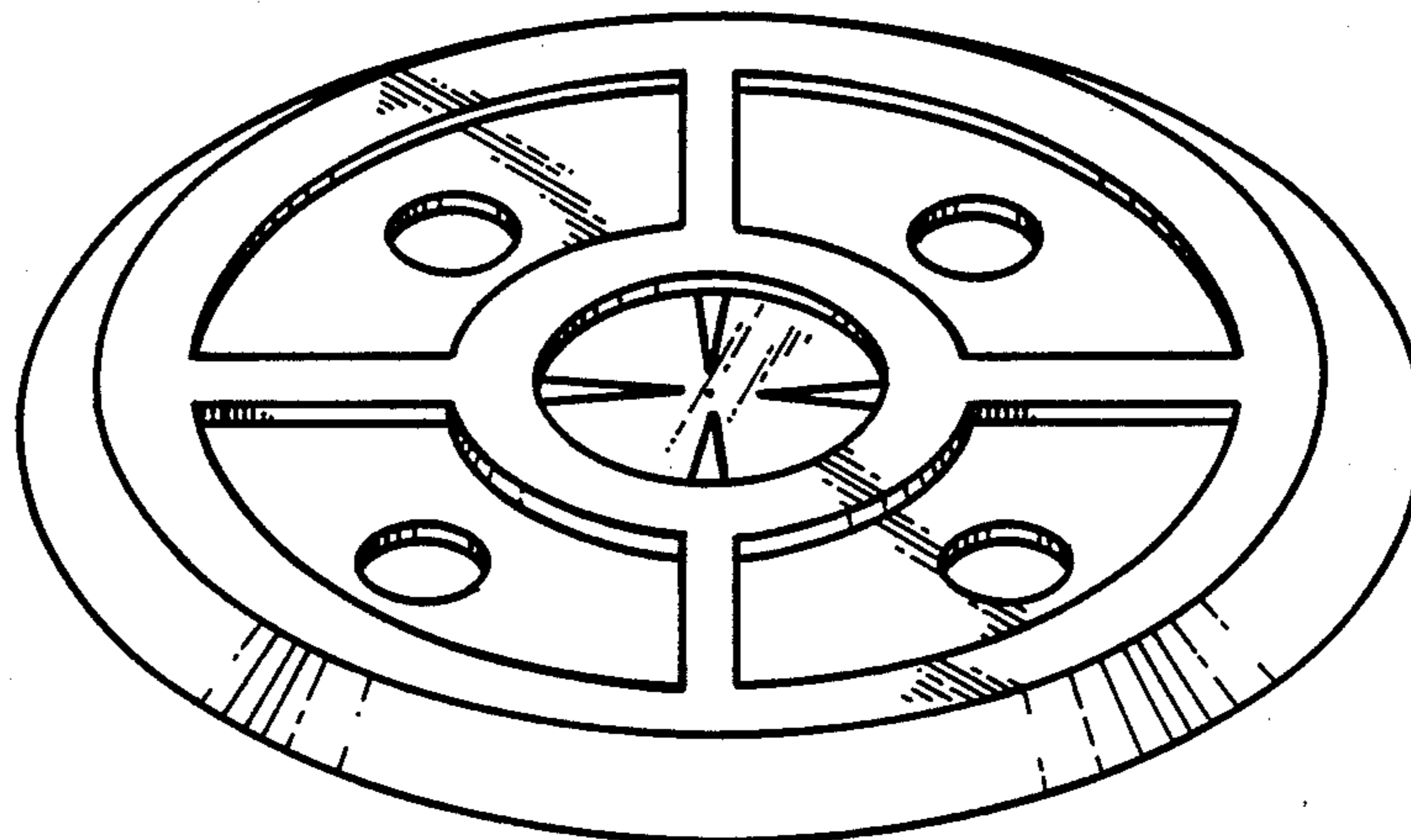


Fig. 4