

[54] **35 MM CAMERA**

[75] **Inventor: Yasuhiko Nakayama, Nagano, Japan**

[73] **Assignee: Chinon Kabushiki Kaisha, Nagano, Japan**

[**] **Term: 14 Years**

[21] **Appl. No.: 33,635**

[22] **Filed: Apr. 3, 1987**

[52] **U.S. Cl. D16/209**

[58] **Field of Search D16/200, 208, 209, 216, D16/217, 218, 202, 205; 354/126, 145.1, 152, 202, 288**

[56] **References Cited**

U.S. PATENT DOCUMENTS

D. 268,416 3/1983 Rubner D16/209
4,420,240 12/1983 Katsuma et al. .

FOREIGN PATENT DOCUMENTS

2131881 12/1972 Fed. Rep. of Germany 354/152

OTHER PUBLICATIONS

Popular Photography, Nov. 1986, p. 70 (Fujix ES-2P Camera, bottom right).

Primary Examiner—Bernard Ansher
Assistant Examiner—Adir Aronovich
Attorney, Agent, or Firm—James E. Nilles

[57] **CLAIM**

The ornamental design for 35 mm camera, as shown and described.

DESCRIPTION

FIG. 1 is a front elevational view of a 35 mm camera showing my new design;
FIG. 2 is a rear elevational view thereof;
FIG. 3 is a top plan view thereof;
FIG. 4 is a bottom plan view thereof;
FIG. 5 is a left side elevational view thereof;
FIG. 6 is a right side elevational view thereof;
FIG. 7 is a top and right front perspective view thereof; and
FIG. 8 is a top and right front perspective view thereof with the flash in the raised position.

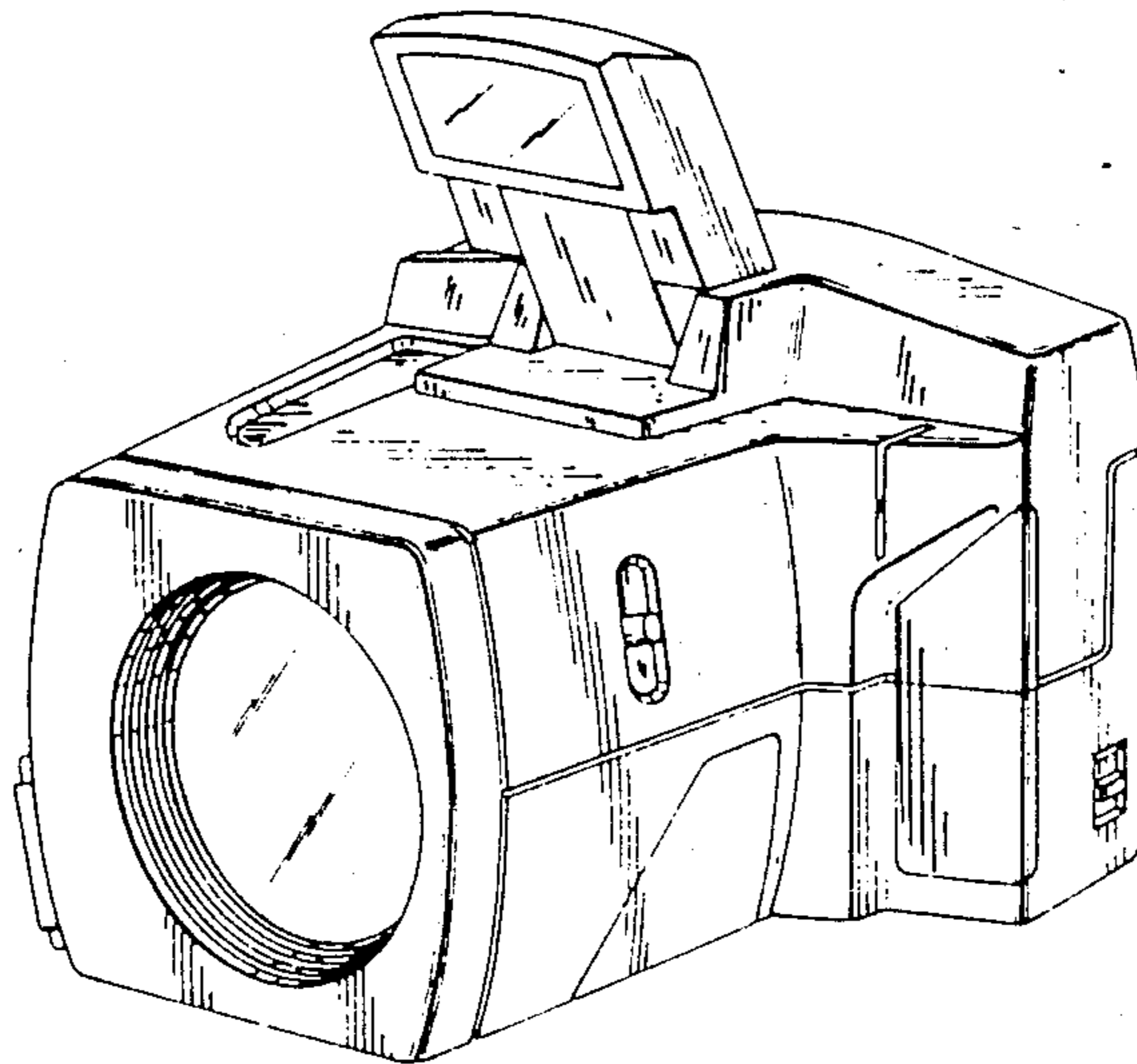


FIG. 1

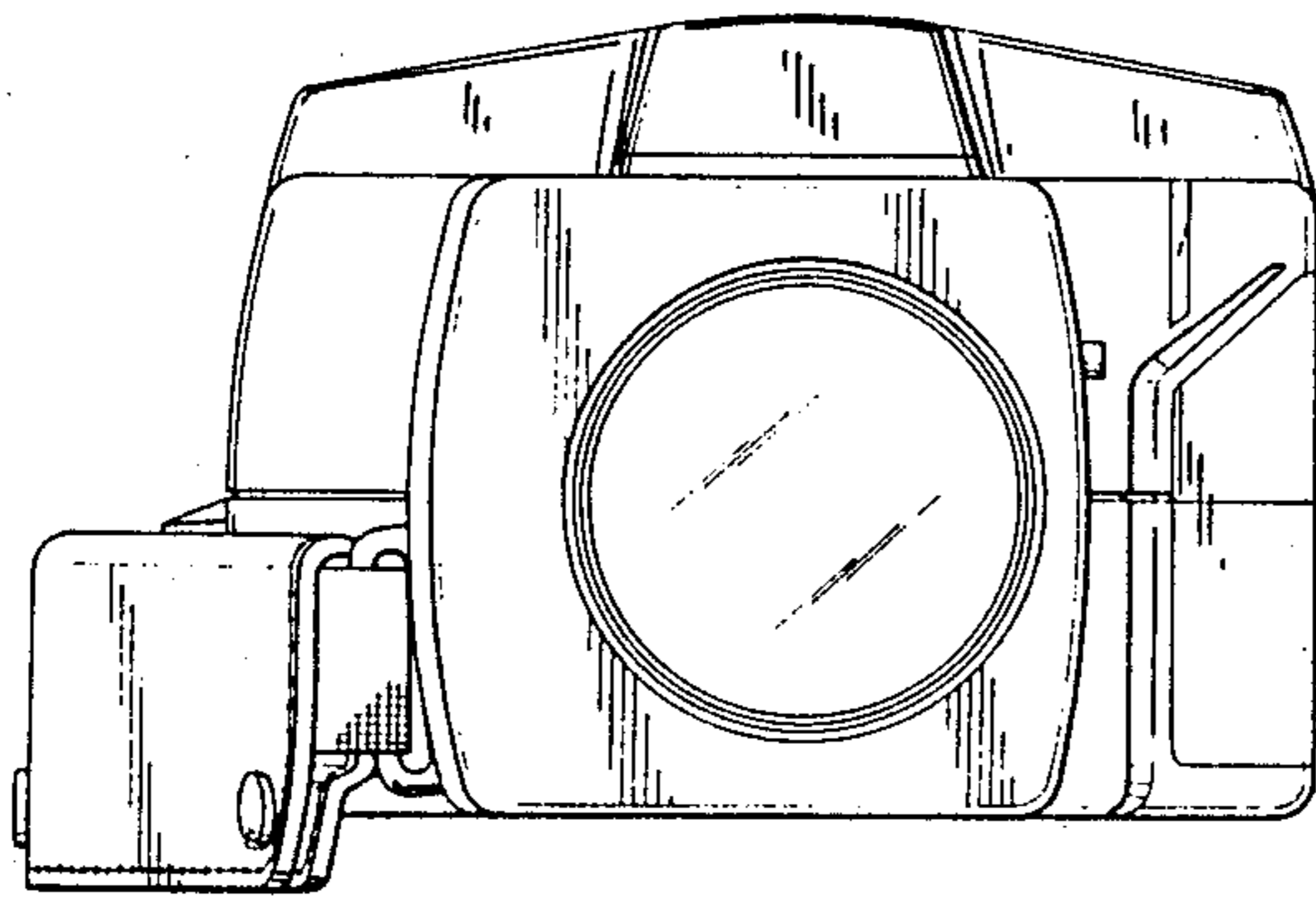


FIG. 2

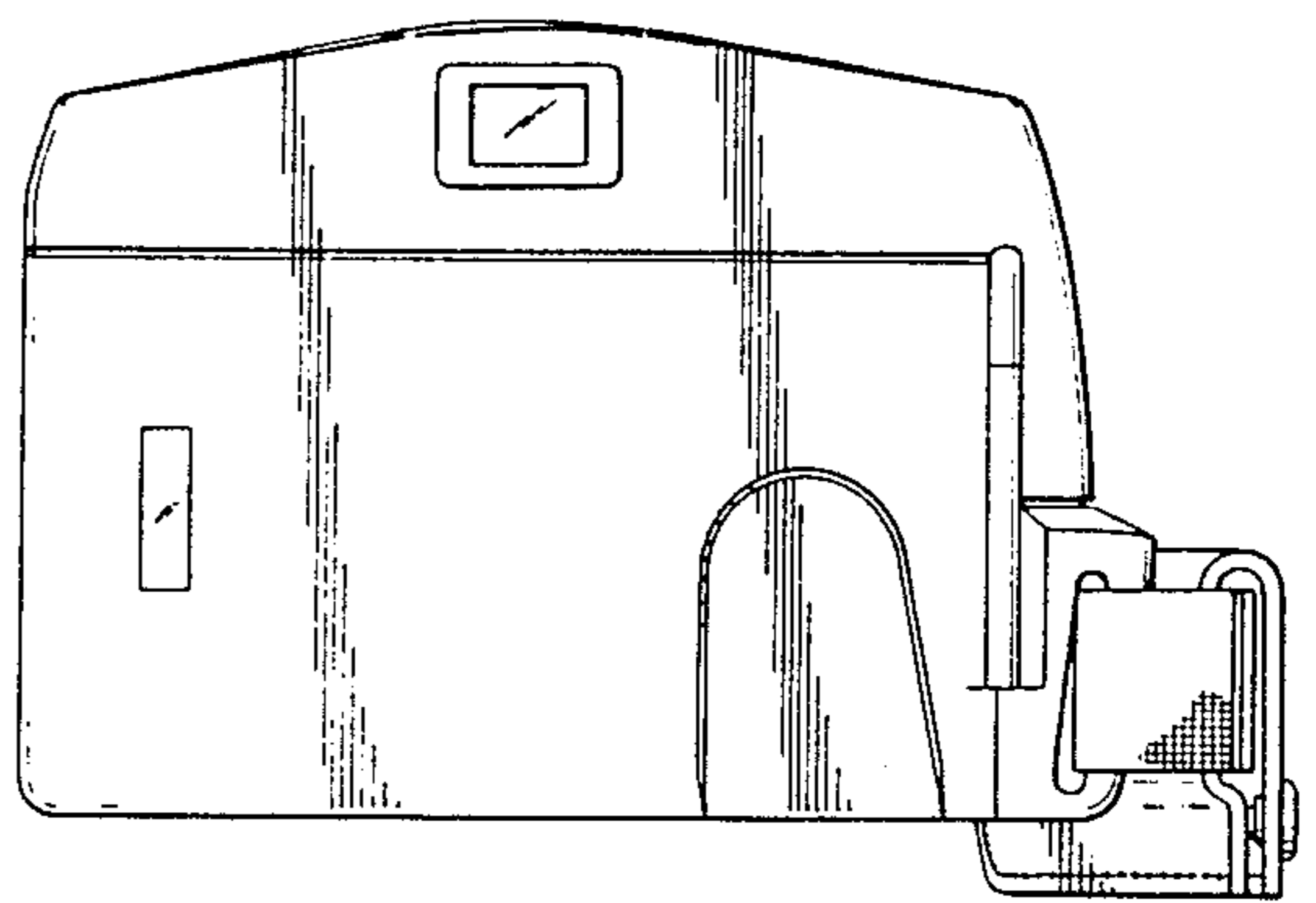


FIG. 3

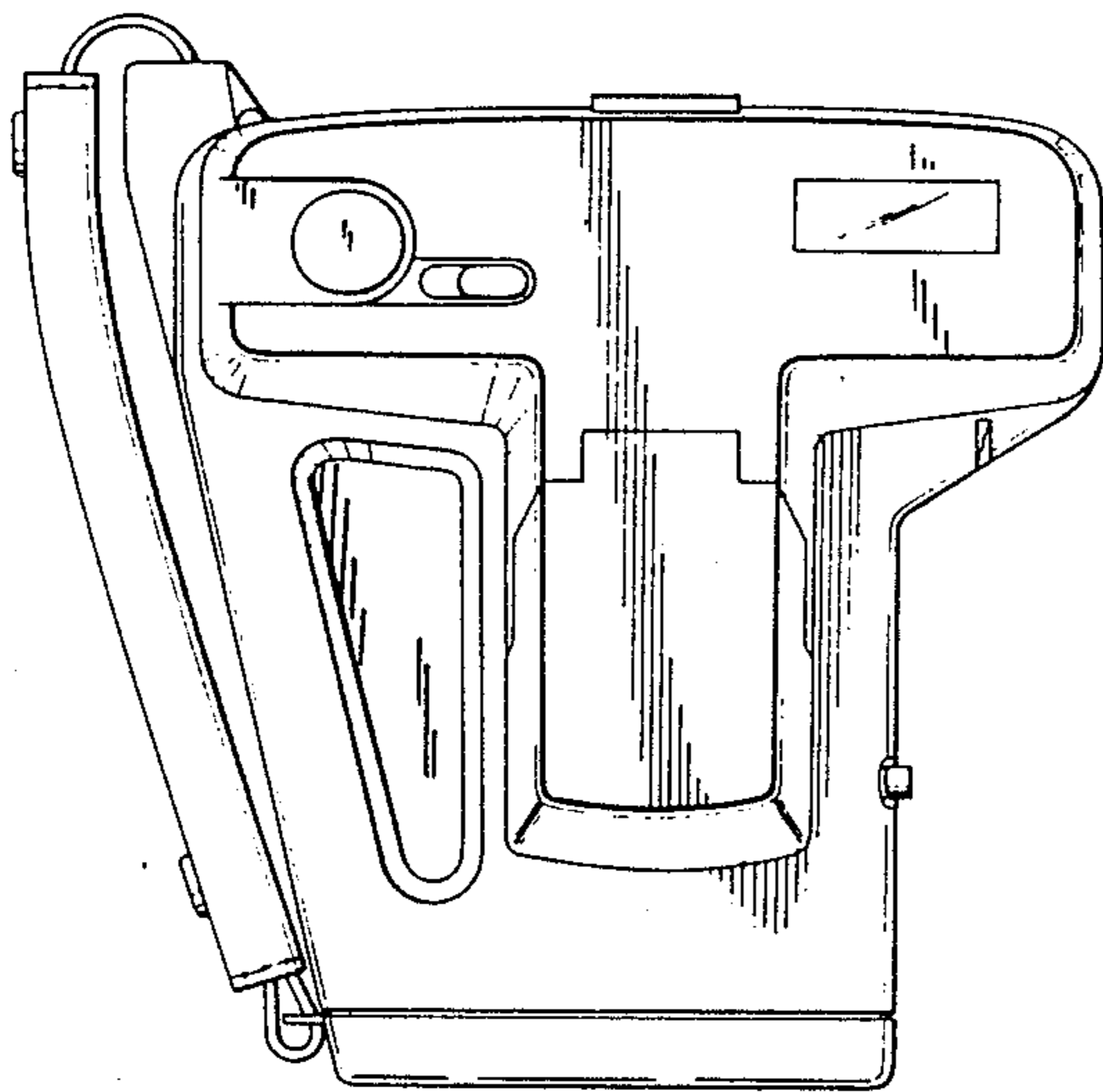


FIG. 4

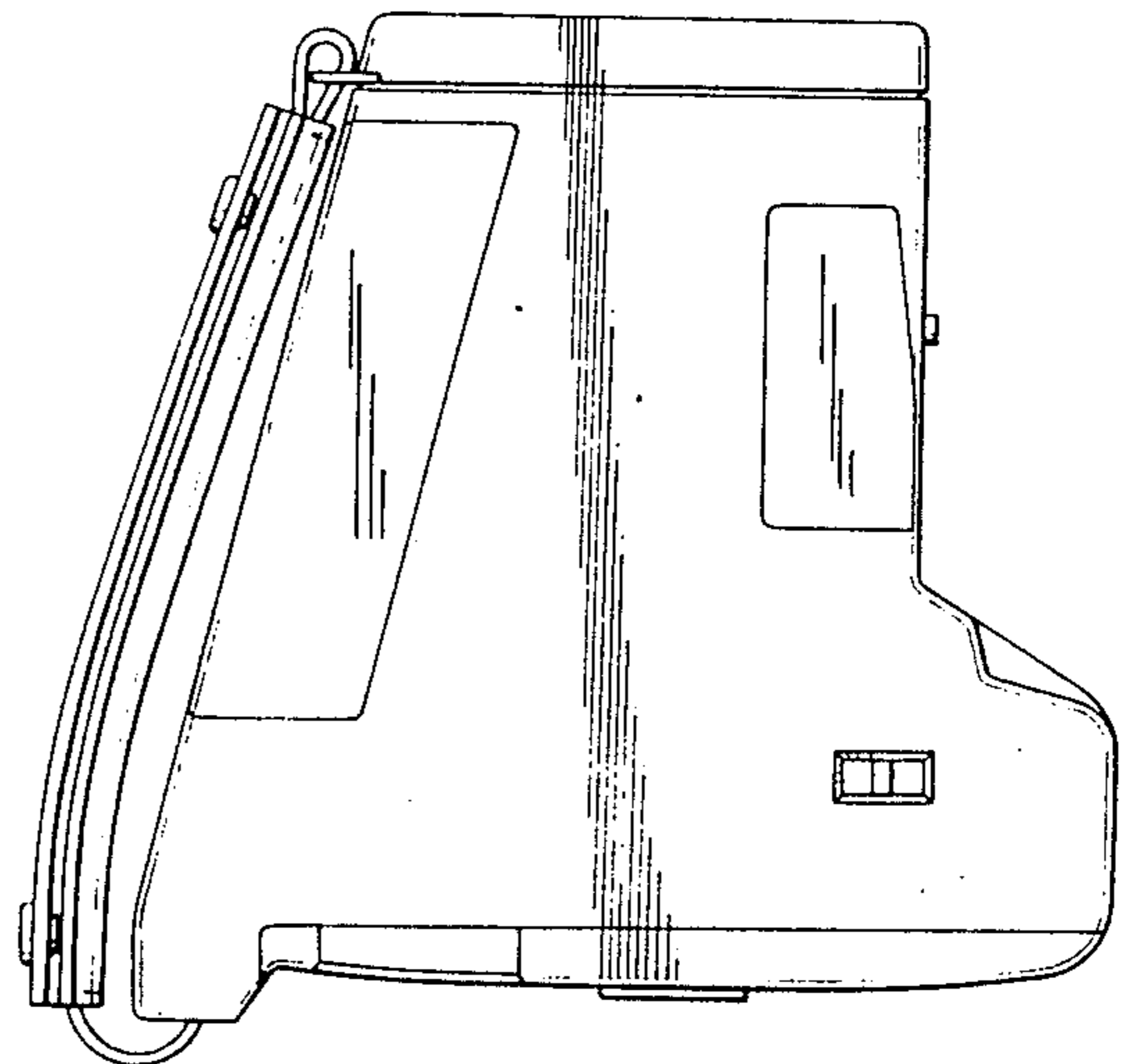


FIG. 5

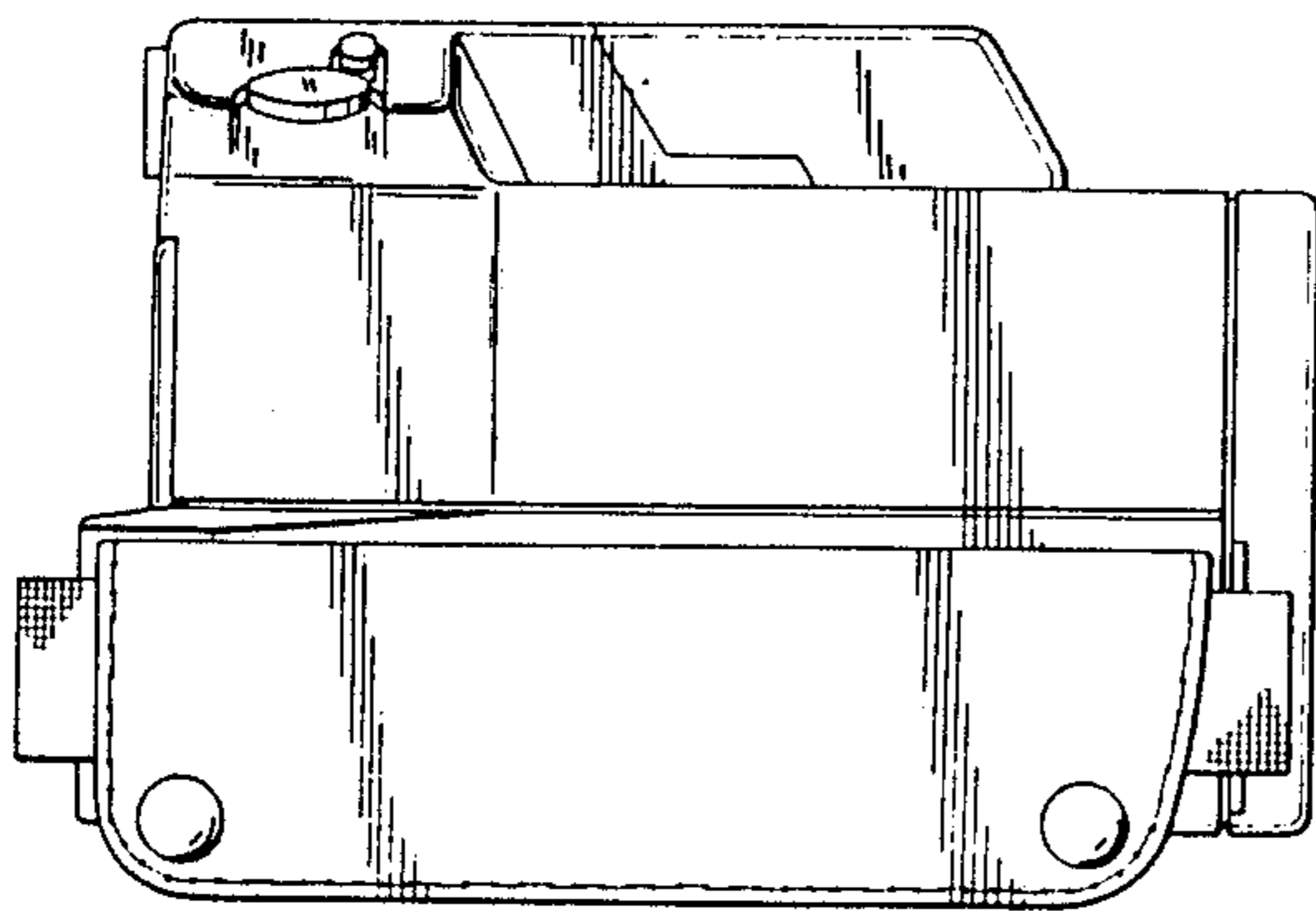


FIG. 6

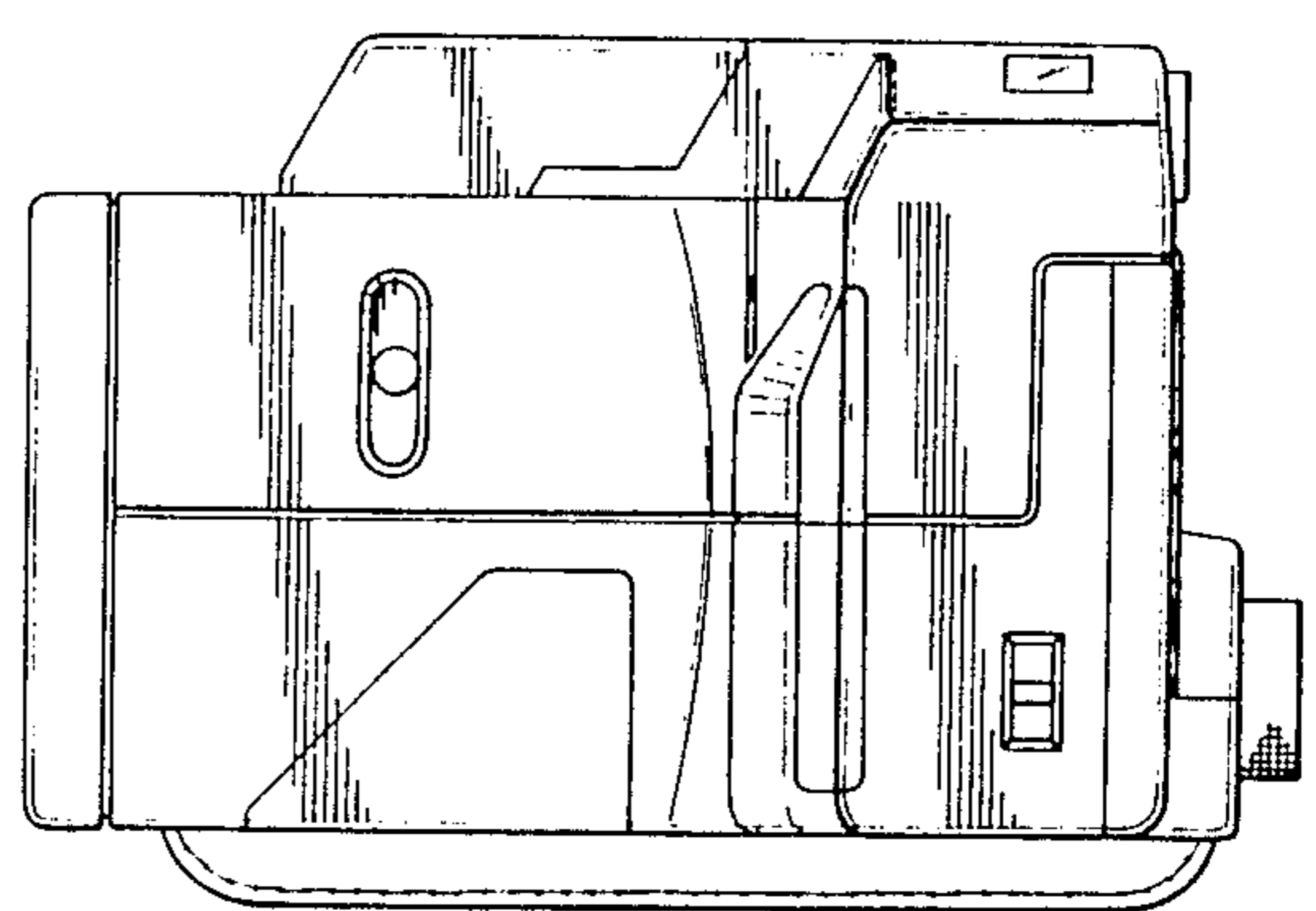


FIG. 7

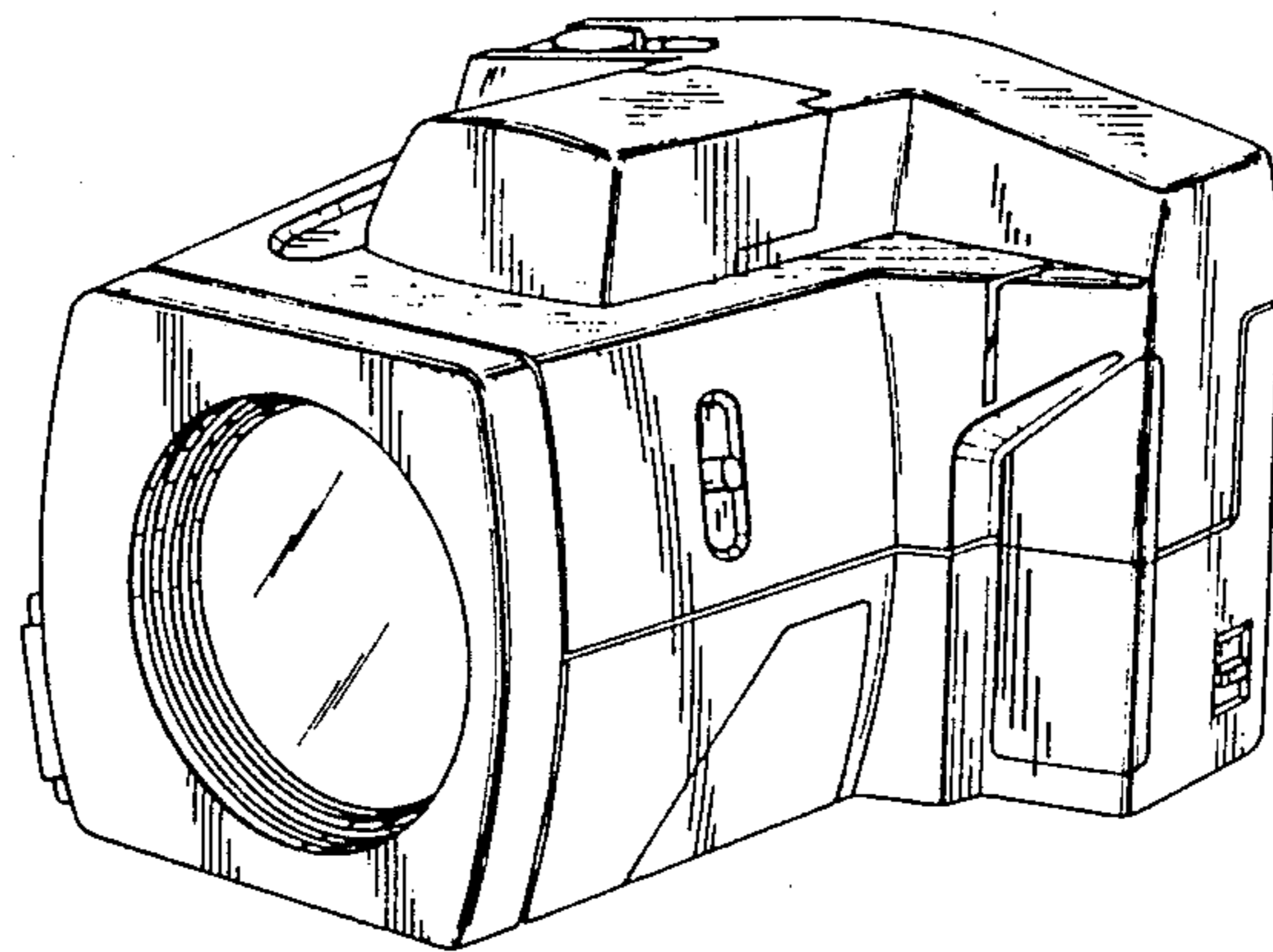


FIG. 8

