

United States Patent [19]

Fries et al.

[11] Patent Number: **Des. 306,033**

[45] Date of Patent: **** Feb. 13, 1990**

[54] **SUBMERSIBLE MIXER**

[75] Inventors: **Hjalmar Fries, Spanga; Ingvar Karlsson, Stenhamra, both of Sweden**

[73] Assignee: **Flygt AB, Solna, Sweden**

[**] Term: **14 Years**

[21] Appl. No.: **116,138**

[22] Filed: **Nov. 2, 1987**

[30] **Foreign Application Priority Data**

Jun. 18, 1987 [SE] Sweden 871418

[52] U.S. Cl. **D15/147; D15/122**

[58] Field of Search **D15/147, 122; D23/207; 366/264, 265, 241; 416/62; 216/87; D7/376-379**

[56] **References Cited**

U.S. PATENT DOCUMENTS

D. 255,451 6/1980 Herbst et al. D15/138

D. 282,370	1/1986	Ogren	D15/122
D. 282,371	1/1986	Johansson	D15/147
D. 291,911	9/1987	Fries	D23/207
D. 298,298	11/1988	Valbona et al.	D7/376
4,193,702	3/1980	Davis	366/265 X
4,437,765	3/1984	Seeger	366/264

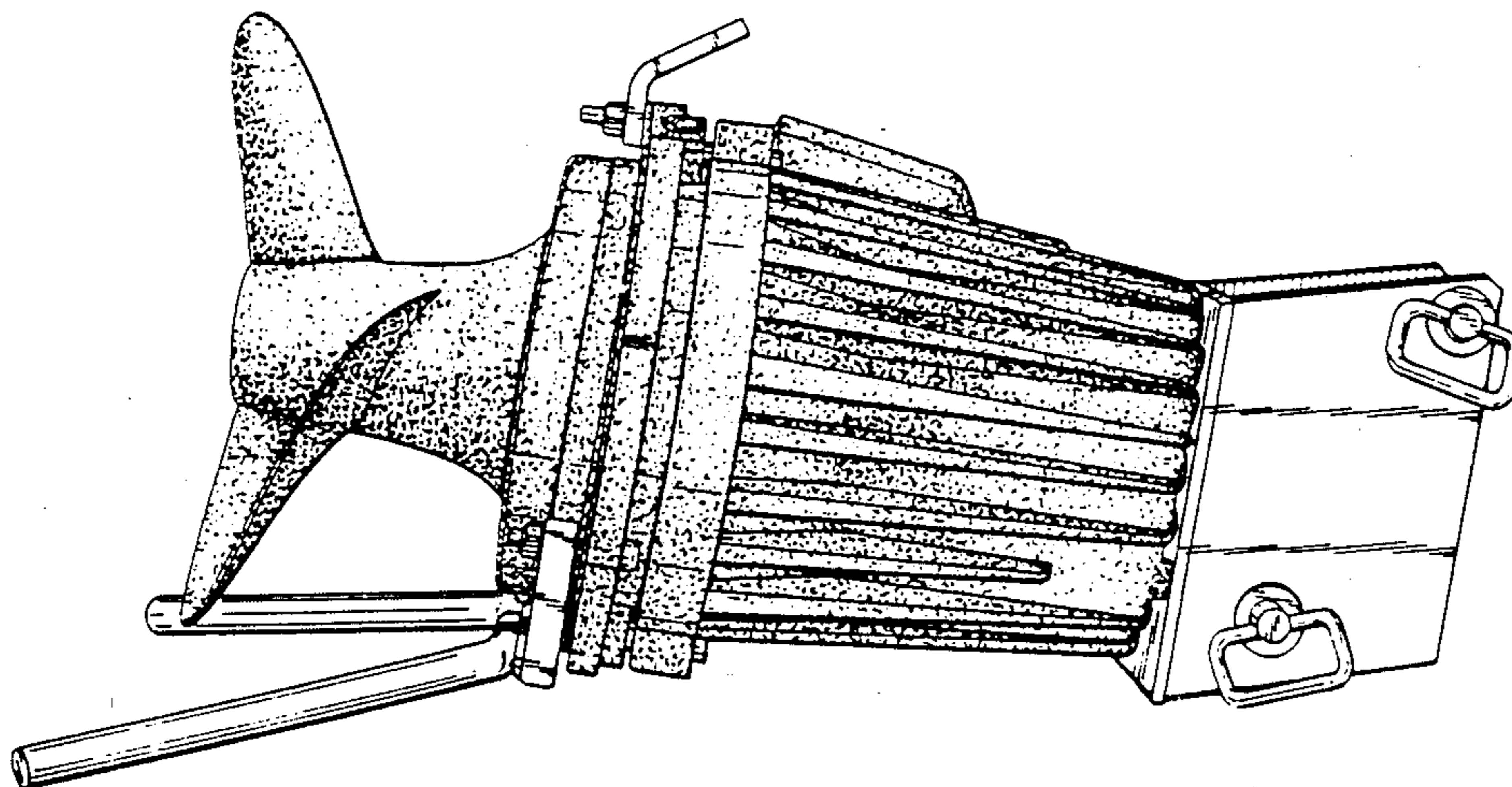
Primary Examiner—Nelson C. Holtje
Assistant Examiner—Jeffrey Asch
Attorney, Agent, or Firm—Menotti J. Lombardi

[57] **CLAIM**

The ornamental design for a submersible mixer, as shown and described.

DESCRIPTION

FIG. 1 is a right side elevational view of a submersible mixer showing my new design;
FIG. 2 is a left side elevational view;
FIG. 3 is a bottom plan view;
FIG. 4 is a top plan view;
FIG. 5 is a front elevational view; and
FIG. 6 is a rear elevational view thereof.



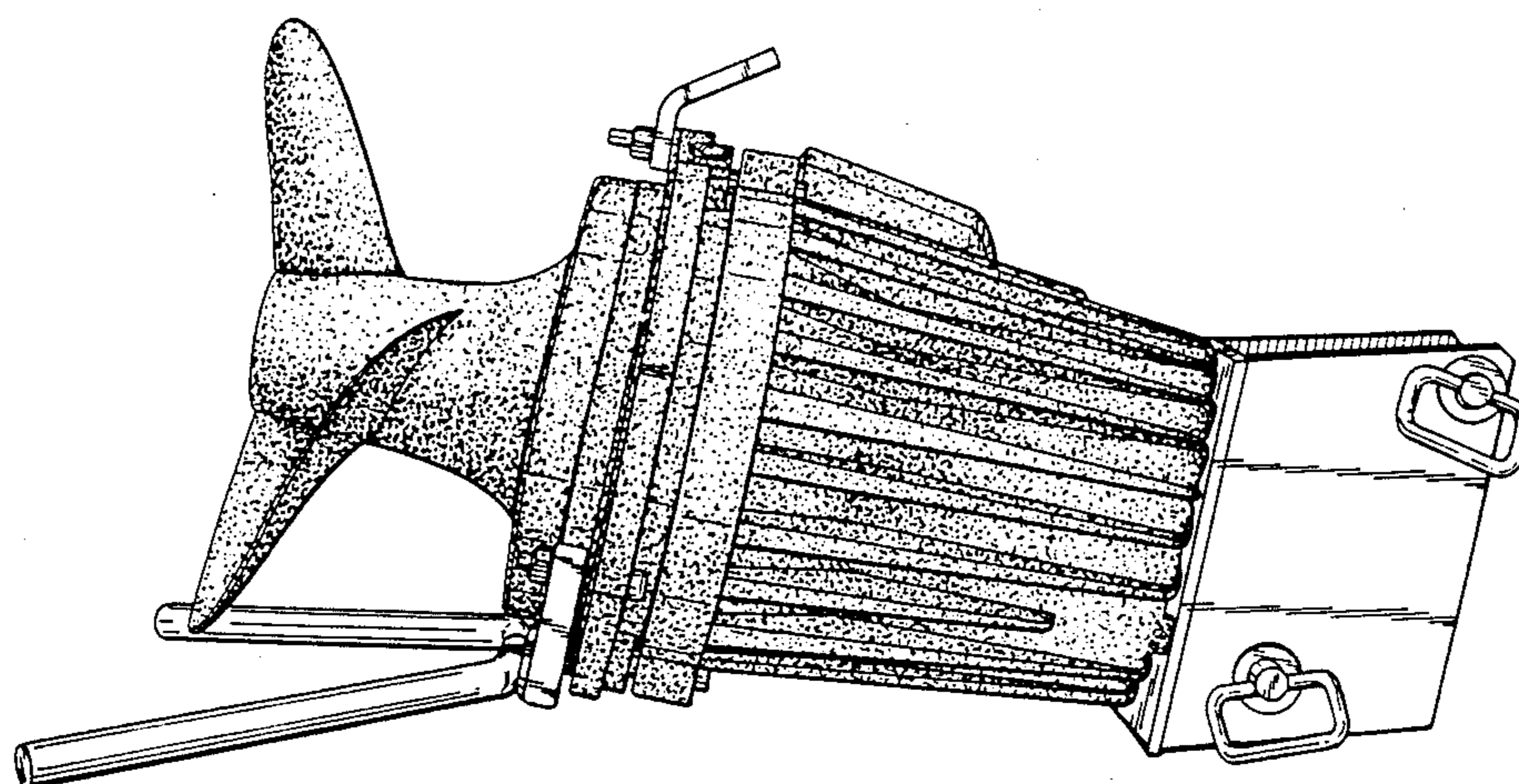


FIG. 1

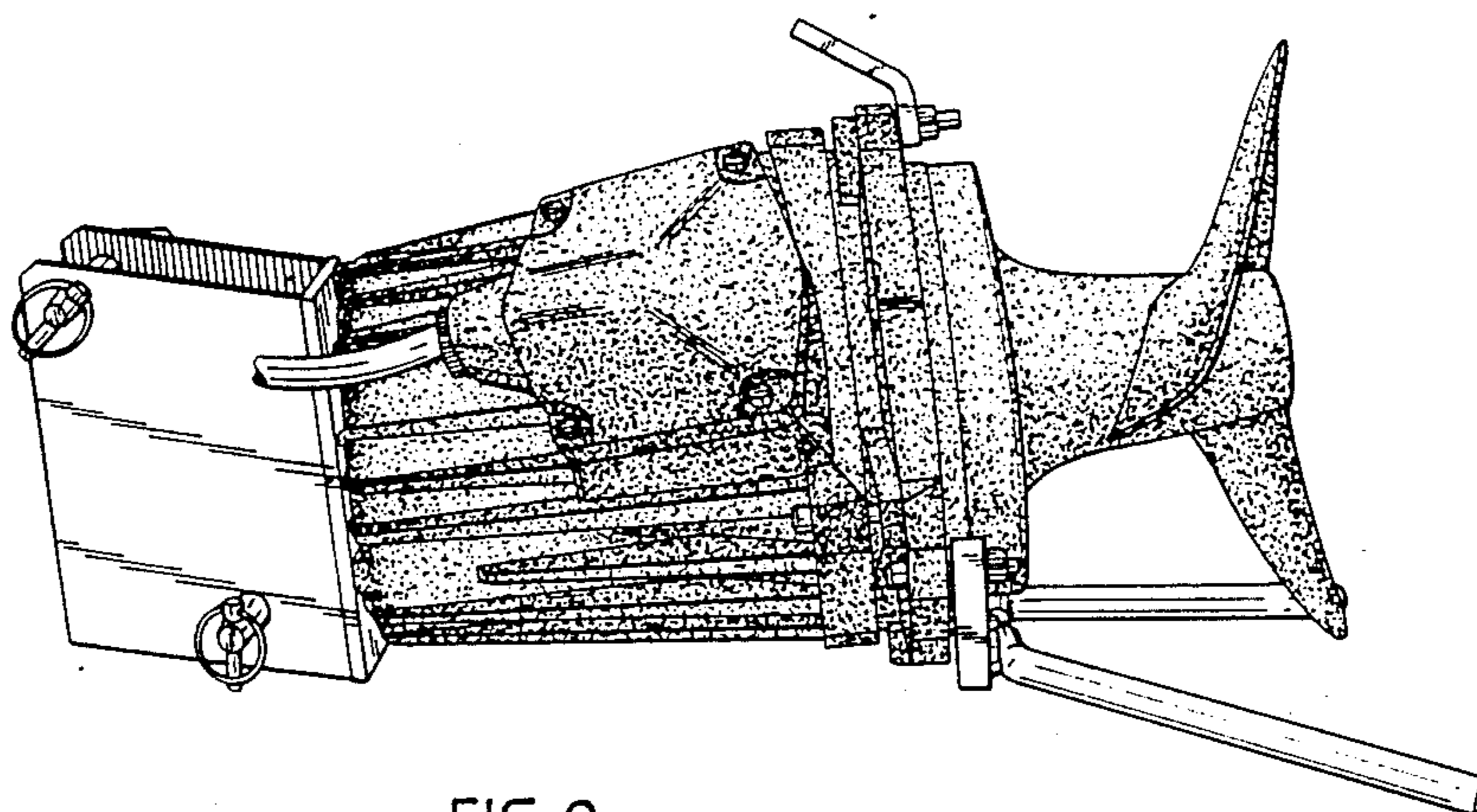


FIG. 2

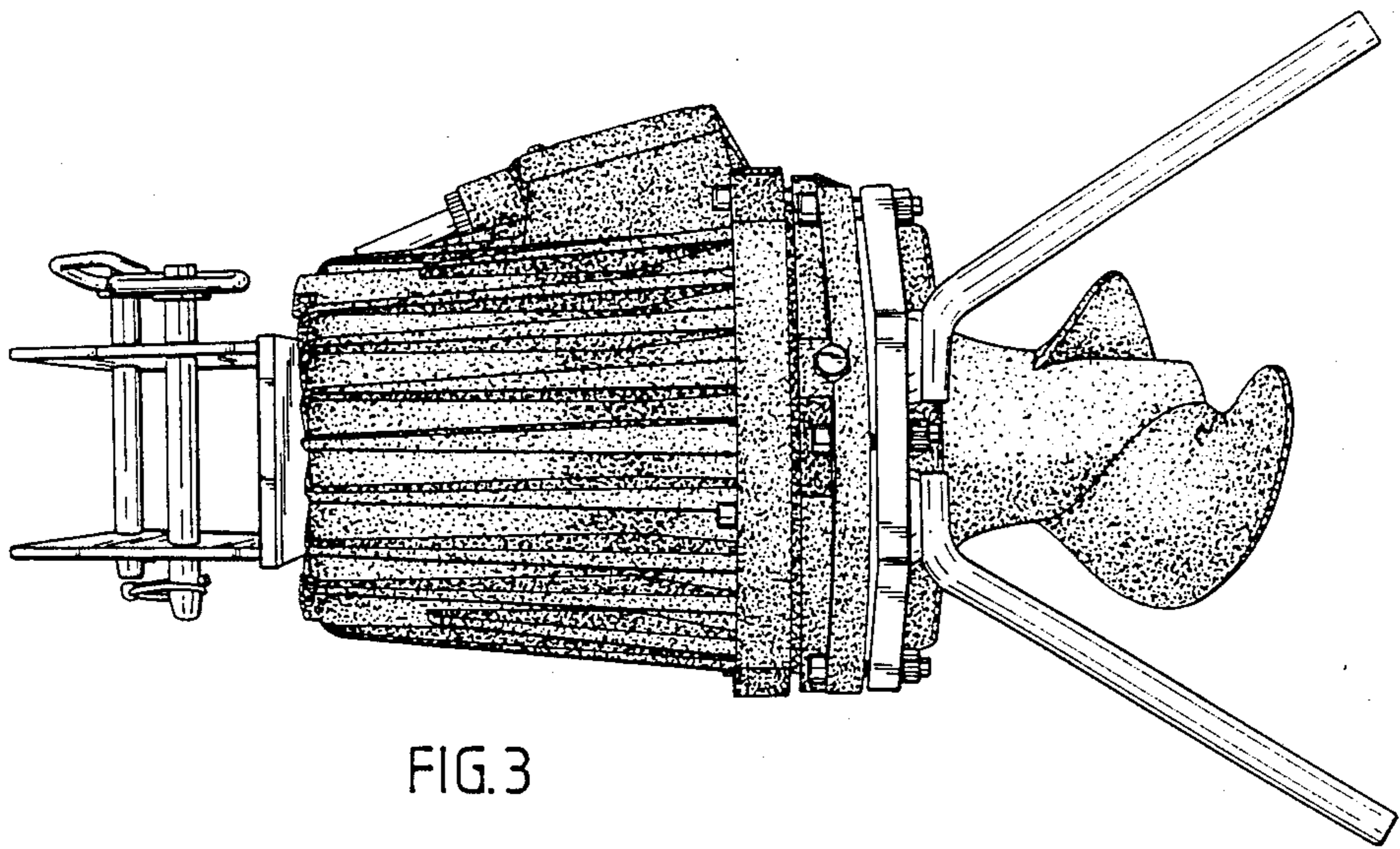


FIG. 3

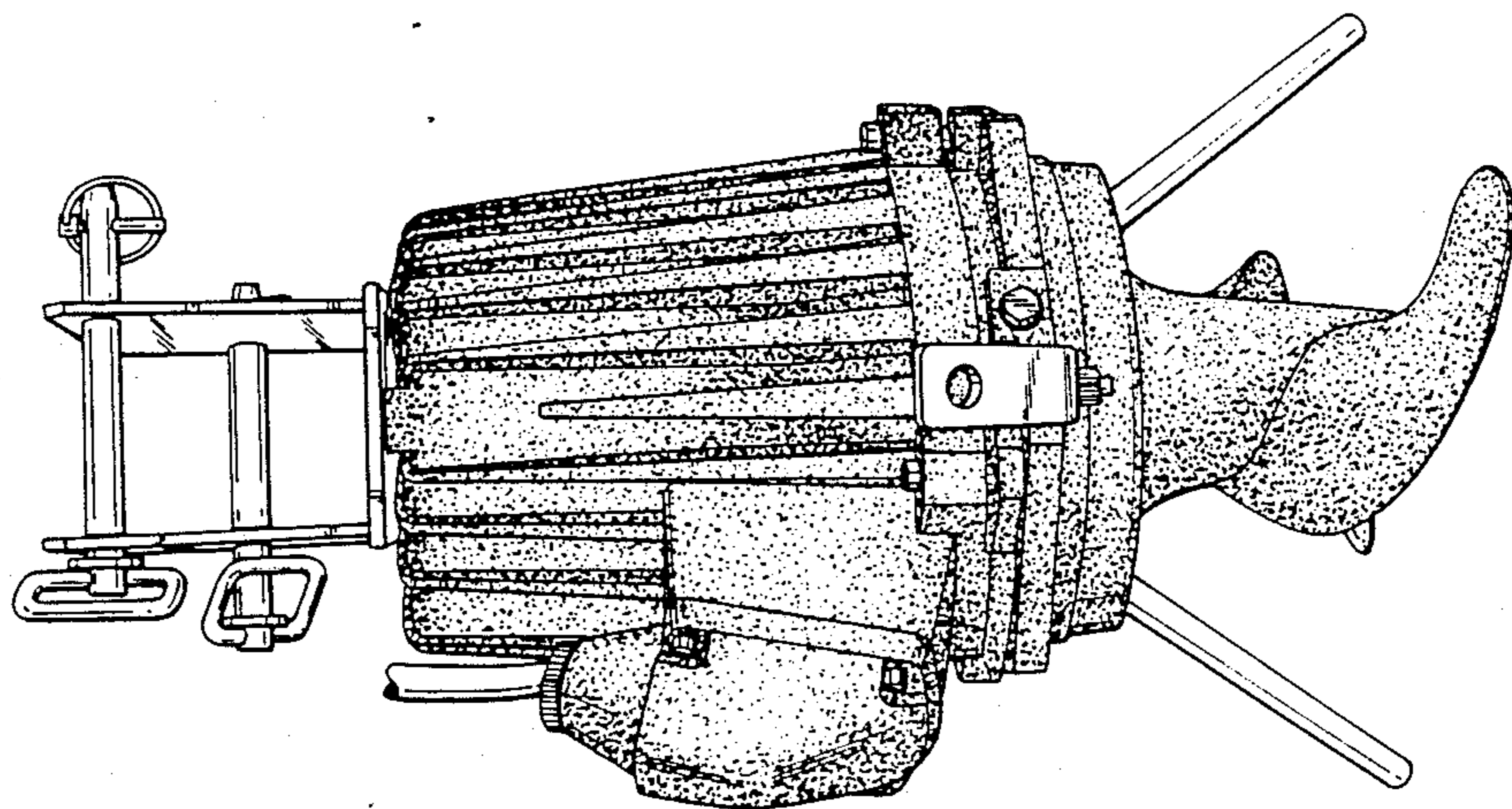


FIG. 4

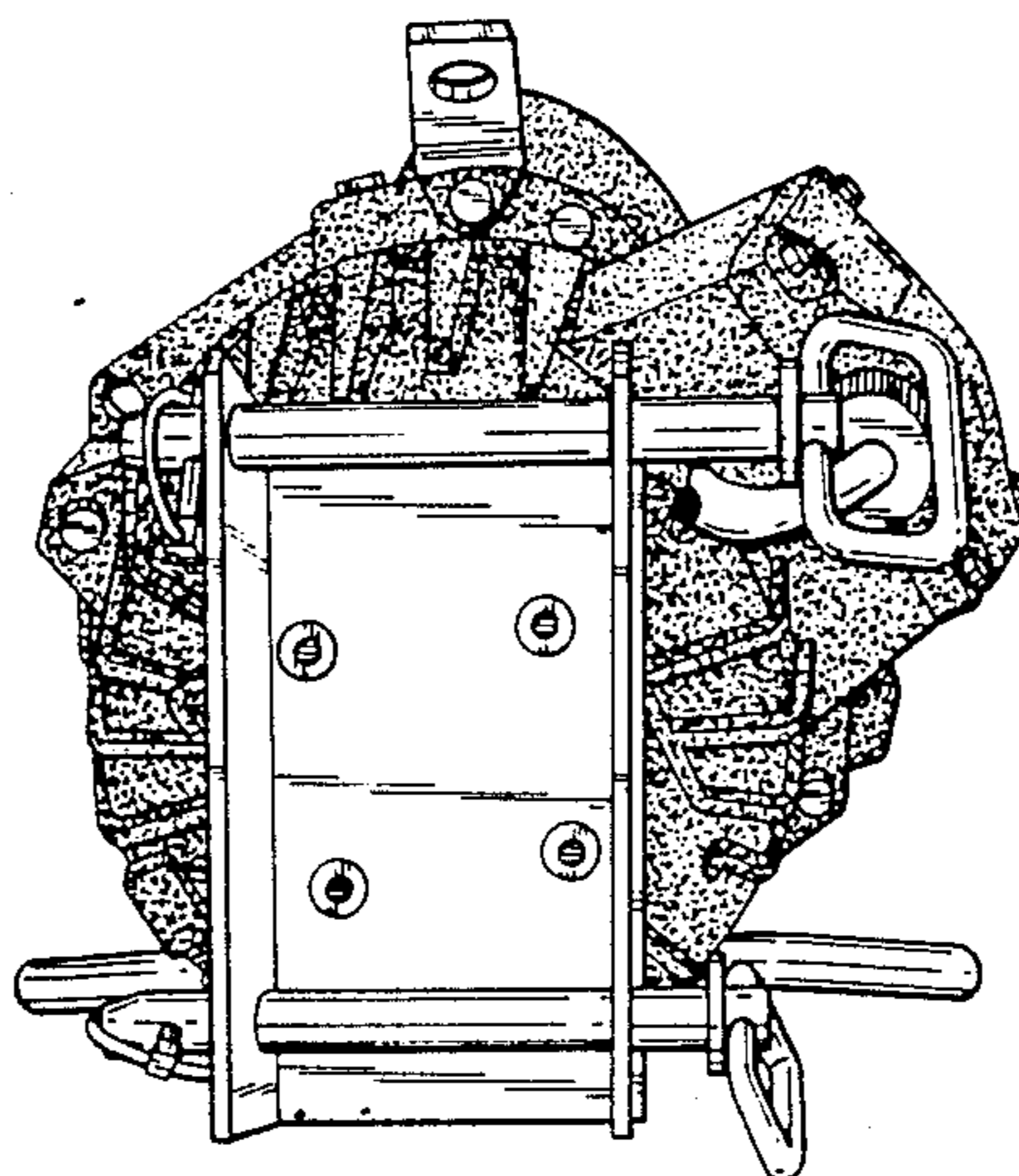
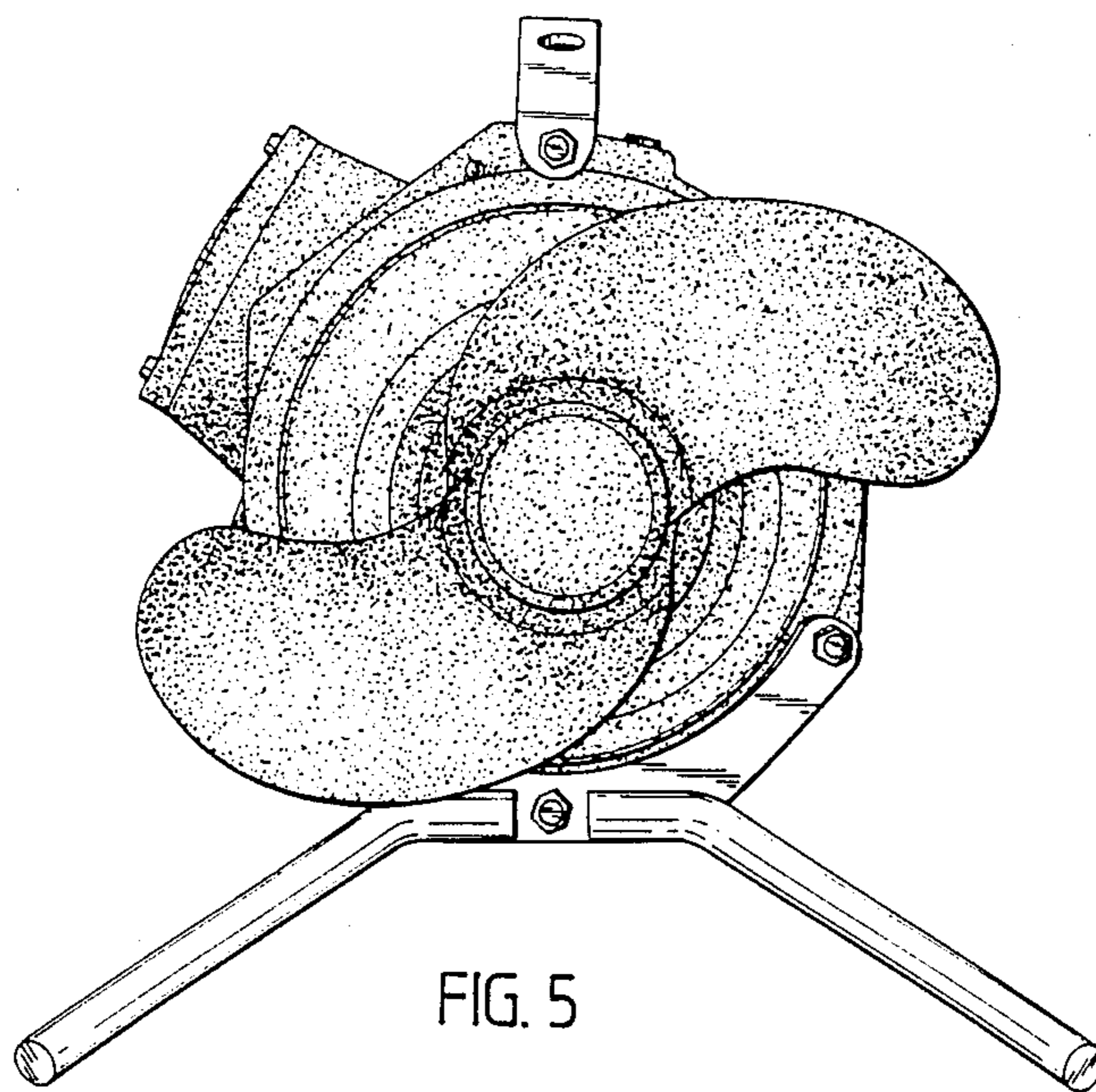


FIG. 6