

United States Patent [19]

Mihic

[11] Patent Number: **Des. 306,032**

[45] Date of Patent: **** Feb. 13, 1990**

[54] **CUTTING TOOL INSERT**

[76] Inventor: **Wlajko Mihic**, Tegnervägen 9, S-802
28 Gävle, Sweden

[**] Term: **14 Years**

[21] Appl. No.: **149,861**

[22] Filed: **Jan. 29, 1988**

[30] **Foreign Application Priority Data**

Aug. 7, 1987 [SE] Sweden 87-1716

[52] U.S. Cl. **D15/139**; 407/116;
407/117

[58] Field of Search D15/139, 138, 140;
407/115, 116, 117

[56] **References Cited**

U.S. PATENT DOCUMENTS

D. 275,760 10/1984 Cochran D15/139
D. 278,716 5/1985 Pano D15/139

4,558,974 12/1985 Pano 407/117
4,778,311 10/1988 Niemi 407/116

Primary Examiner—James R. Largen
Assistant Examiner—Jeffrey Asch
Attorney, Agent, or Firm—Shapiro and Shapiro

[57] **CLAIM**

The ornamental design for a cutting tool insert, as shown.

DESCRIPTION

FIG. 1 is a perspective view taken from the right side and top, of a cutting tool insert showing my new design; FIG. 2 is a perspective view taken from the rear and left side;
FIG. 3 is a right side elevational view;
FIG. 4 is a bottom plan view;
FIG. 5 is a top plan view;
FIG. 6 is a front elevational view; and,
FIG. 7 is a rear elevational view thereof.

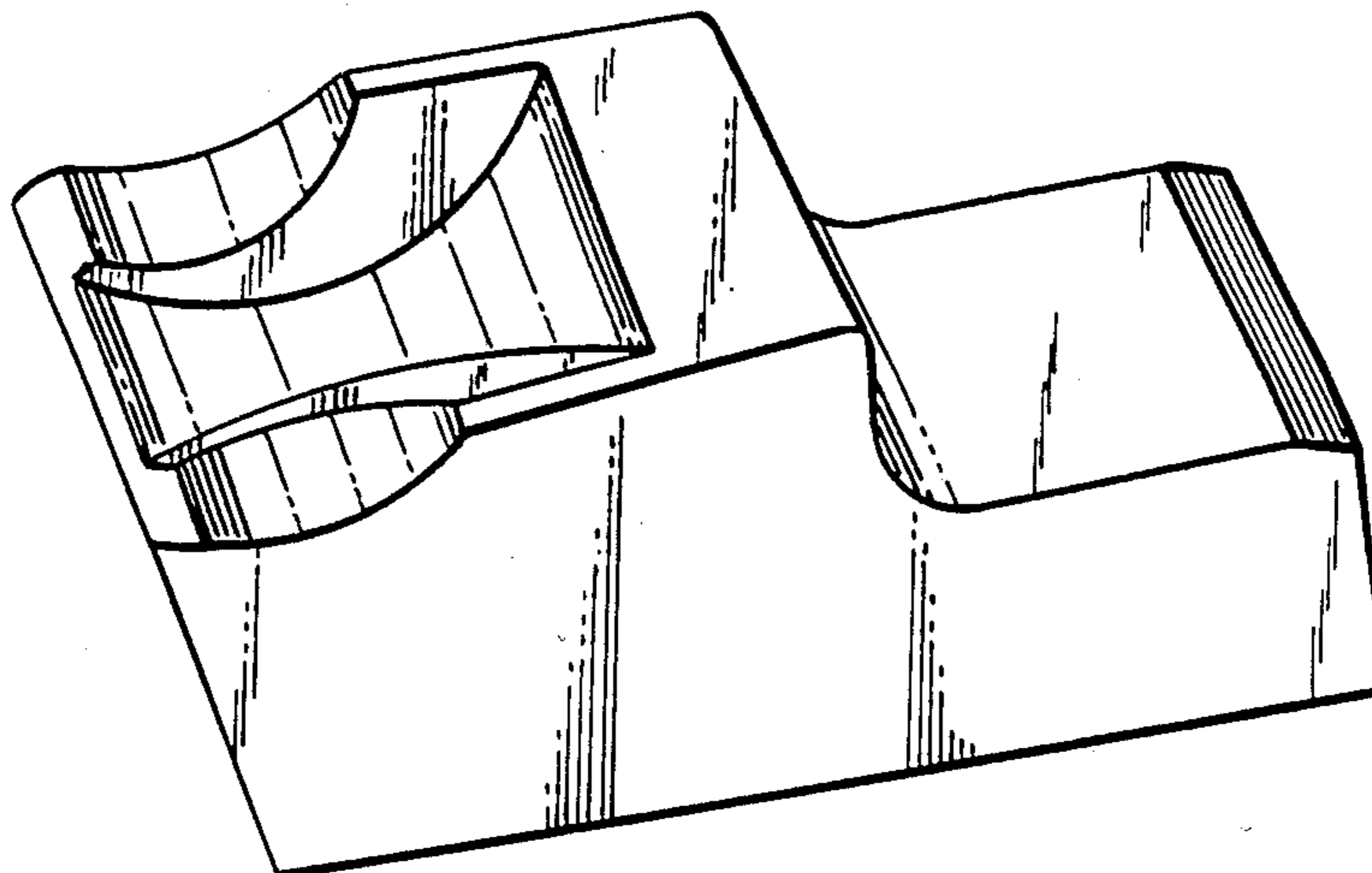


Fig. 1

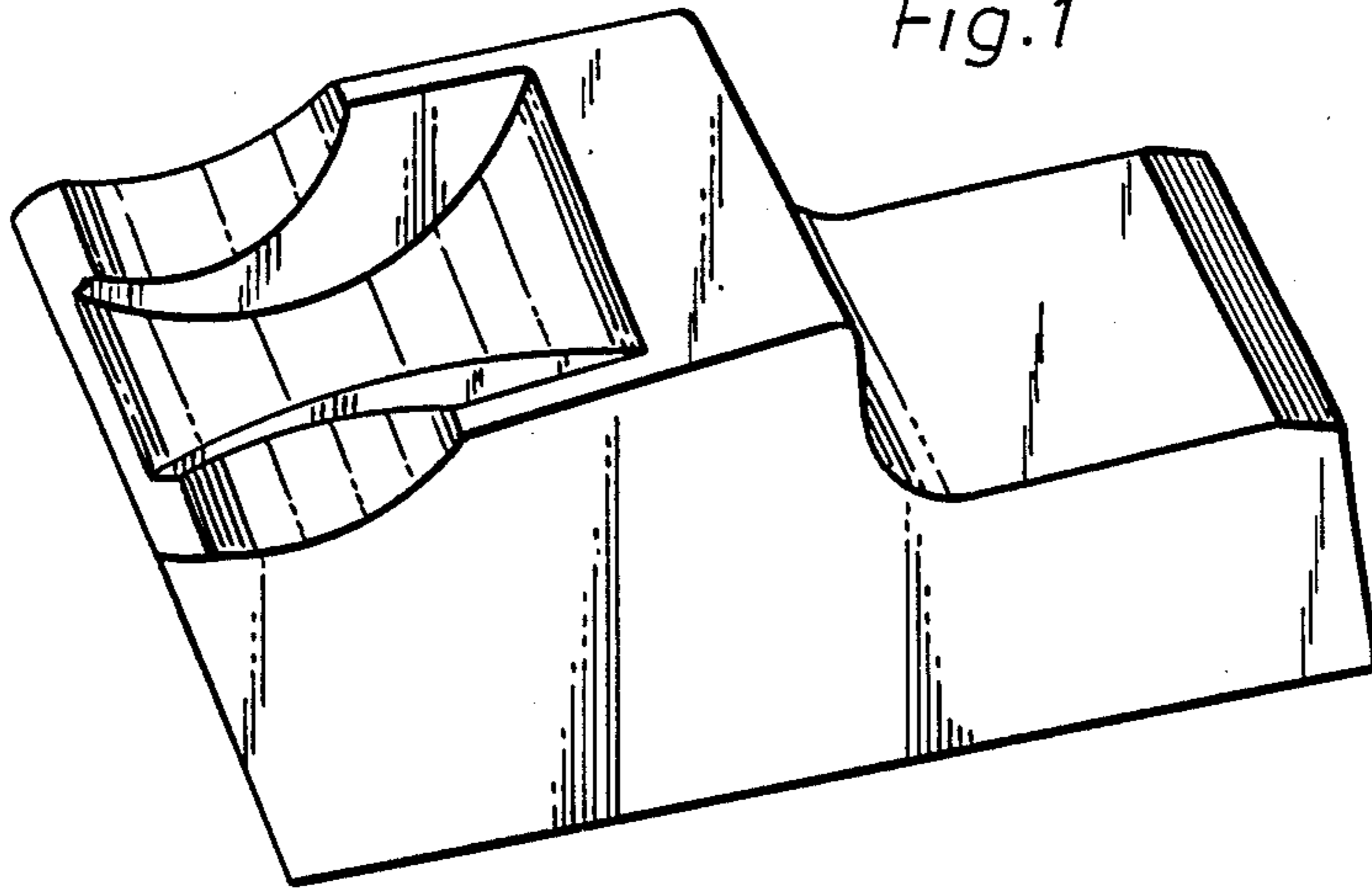


Fig. 2

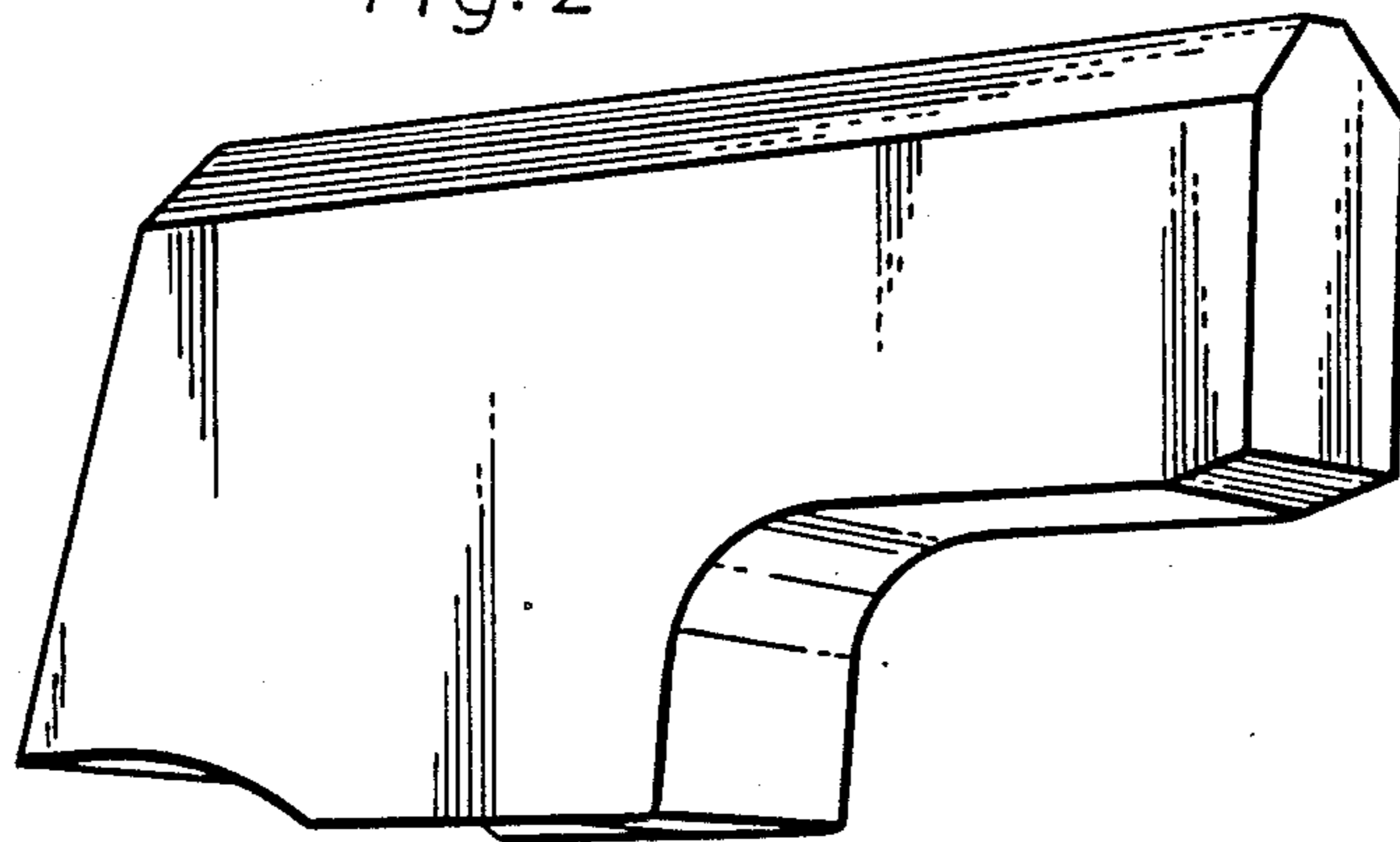


Fig.3

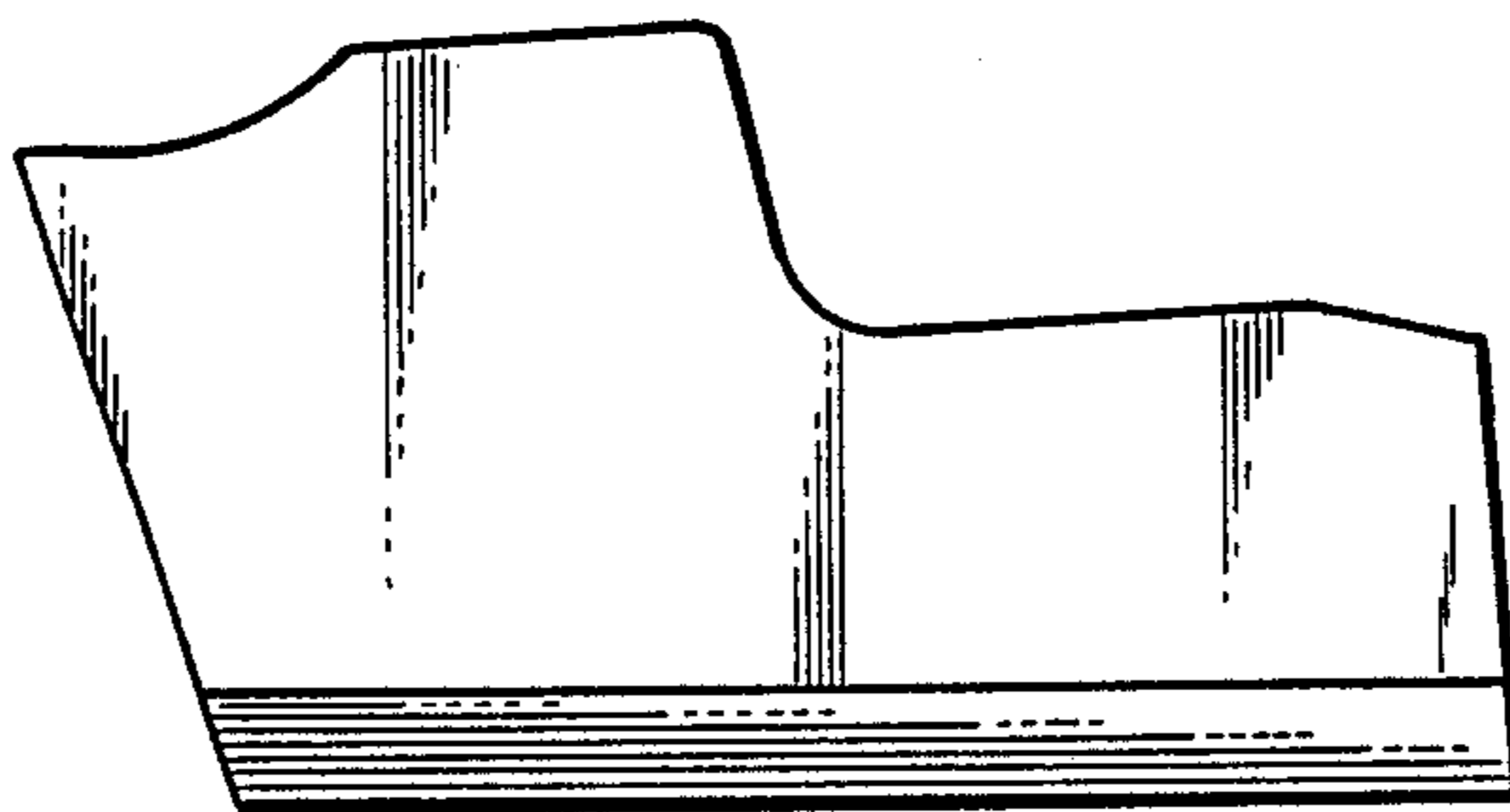


Fig. 4

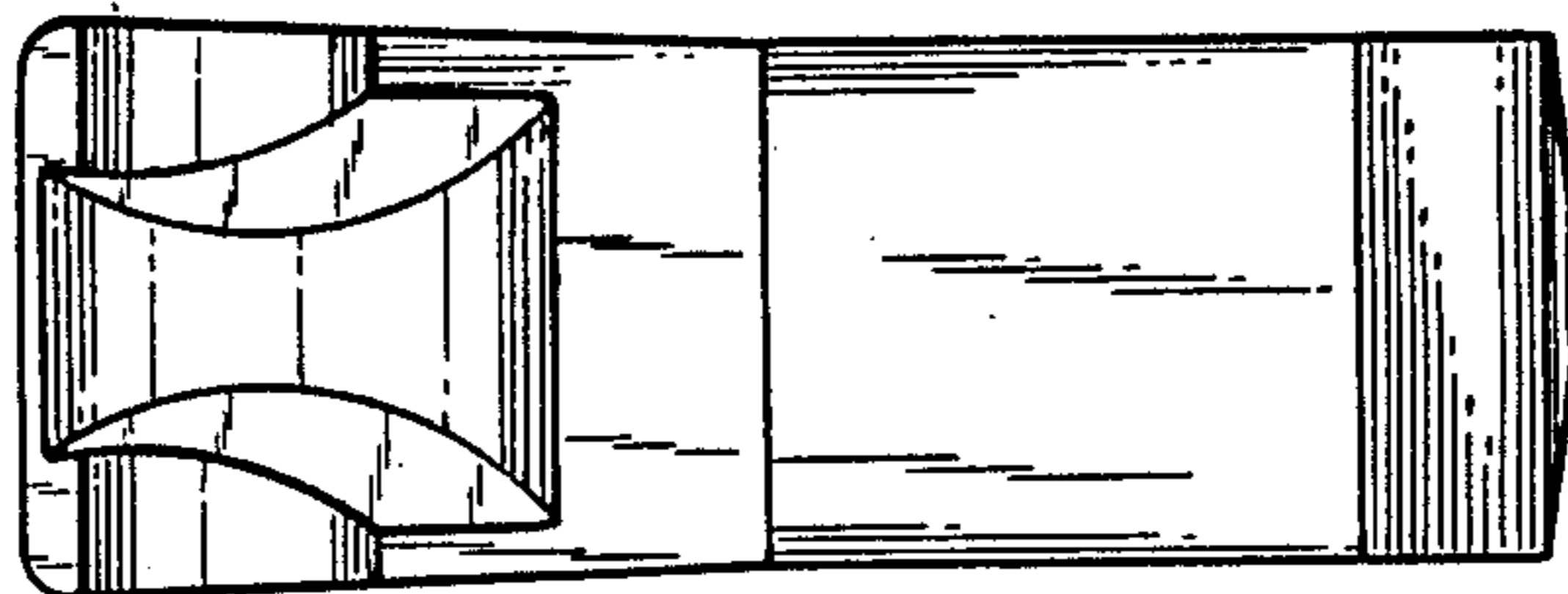
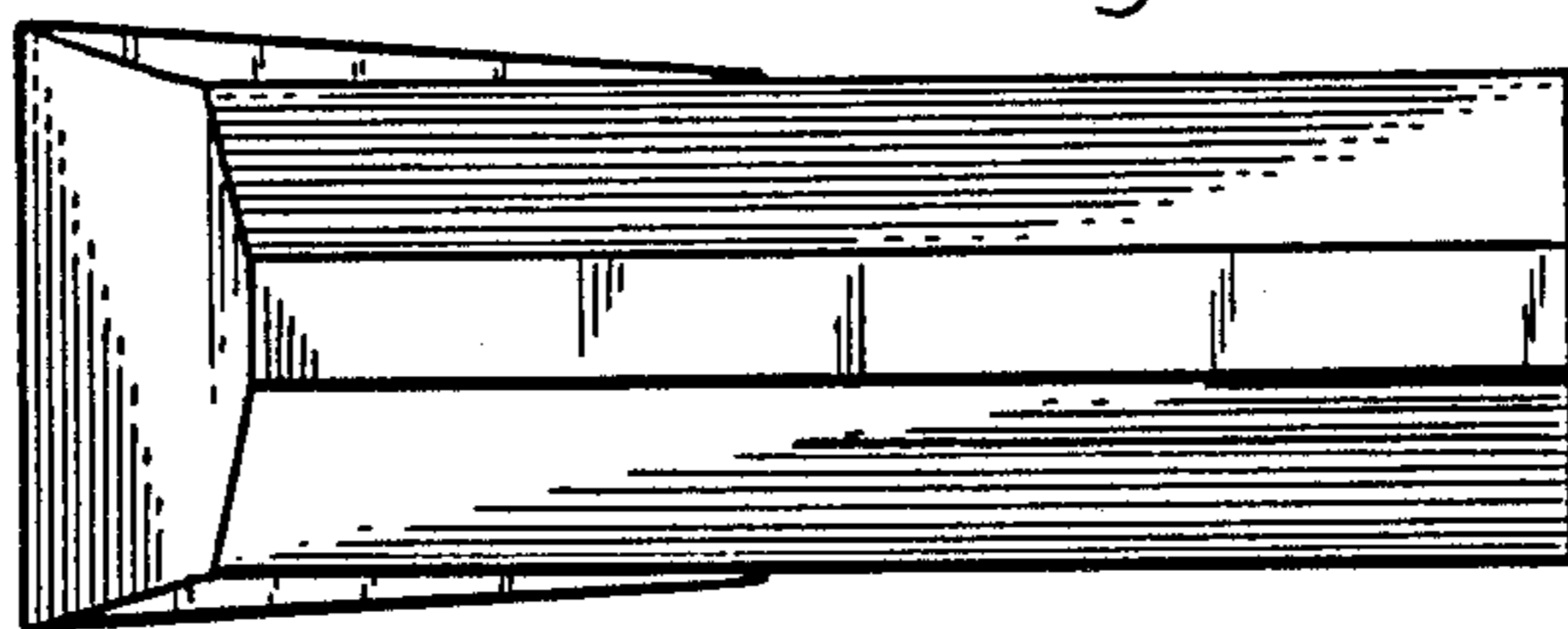


Fig.5

Fig.6

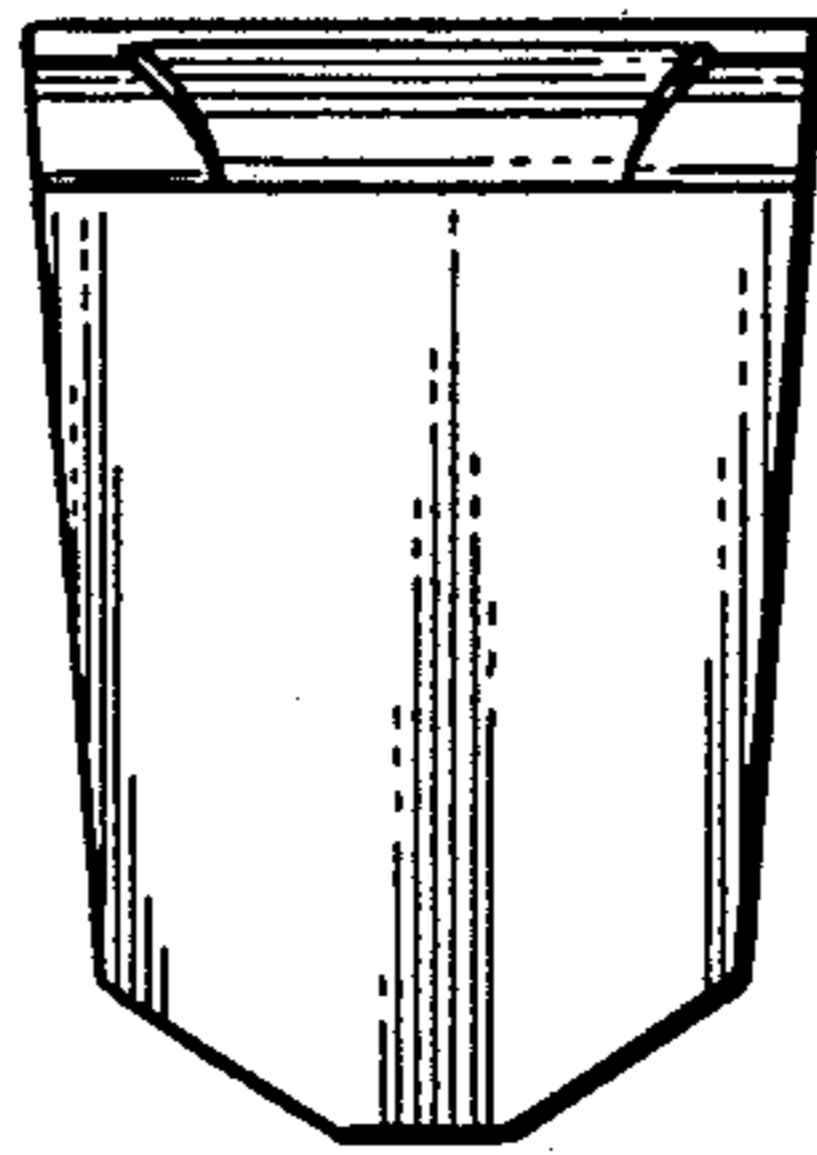


Fig.7

