

[54] ELECTRIC SEWING MACHINE MOTOR

[75] Inventors: Tatsuya Sawato; Youzo Ookawa; Takashi Nakamura; Hiroshi Kumatani, all of Nagoya; Yoshinori Abe, Kamakura, all of Japan

[73] Assignee: Mitsubishi Denki Kabushiki Kaisha, Tokyo, Japan

[\*\*] Term: 14 Years

[21] Appl. No.: 57,978

[22] Filed: Jun. 4, 1987

[30] Foreign Application Priority Data

Jan. 26, 1987 [JP] Japan ..... 62-2611

[52] U.S. Cl. .... D15/72

[58] Field of Search ..... D15/66, 72; D13/1-3; 112/220, 1; 361/395, 397, 399; 310/68 D, 40 R, 40 MM, 50, 68 A, 261, 264, 76

[56] References Cited

U.S. PATENT DOCUMENTS

D. 174,491 4/1955 Cole et al. .... D13/1

D. 201,362 6/1965 Crouse et al. .... D13/1  
D. 298,228 10/1988 Hoshino ..... D13/1  
4,570,555 2/1986 Reinke et al. .... 112/220  
4,742,430 5/1988 Sawato et al. .... 361/395

FOREIGN PATENT DOCUMENTS

57-1165 11/1981 Japan .  
631166 5/1984 Japan .

Primary Examiner—Nelson C. Holtje  
Assistant Examiner—Ruth Takemoto  
Attorney, Agent, or Firm—Wenderoth, Lind & Ponack

[57] CLAIM

The ornamental design for an electric sewing machine motor, as shown.

DESCRIPTION

FIG. 1 is a front elevational view of an electric sewing machine motor, showing our new design; FIG. 2 is a rear elevational view thereof; FIG. 3 is a left side elevational view thereof; FIG. 4 is a right side elevational view thereof; FIG. 5 is a top plan view thereof; FIG. 6 is a bottom plan view thereof; and FIG. 7 is a front perspective view thereof.

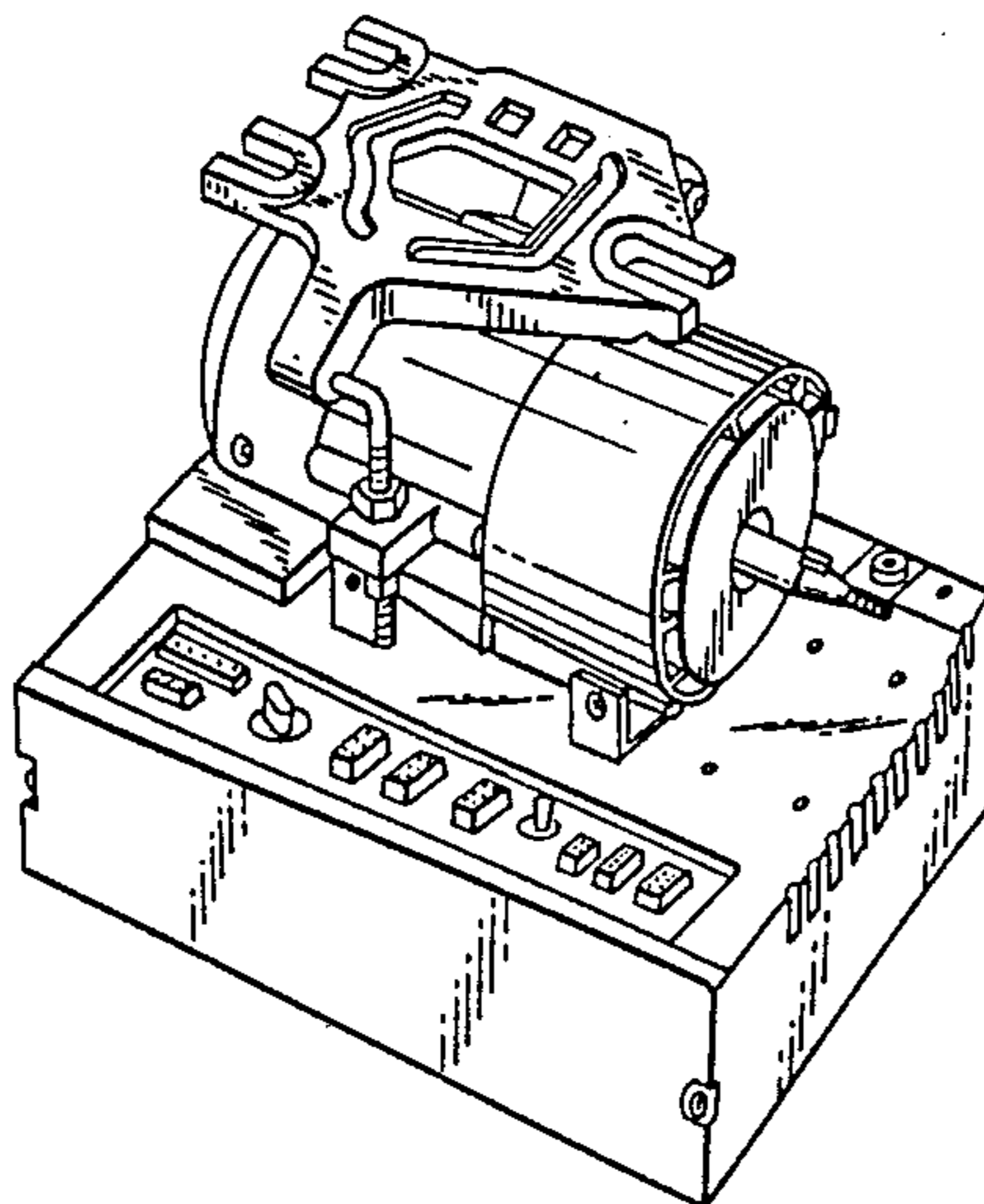


FIG. 1

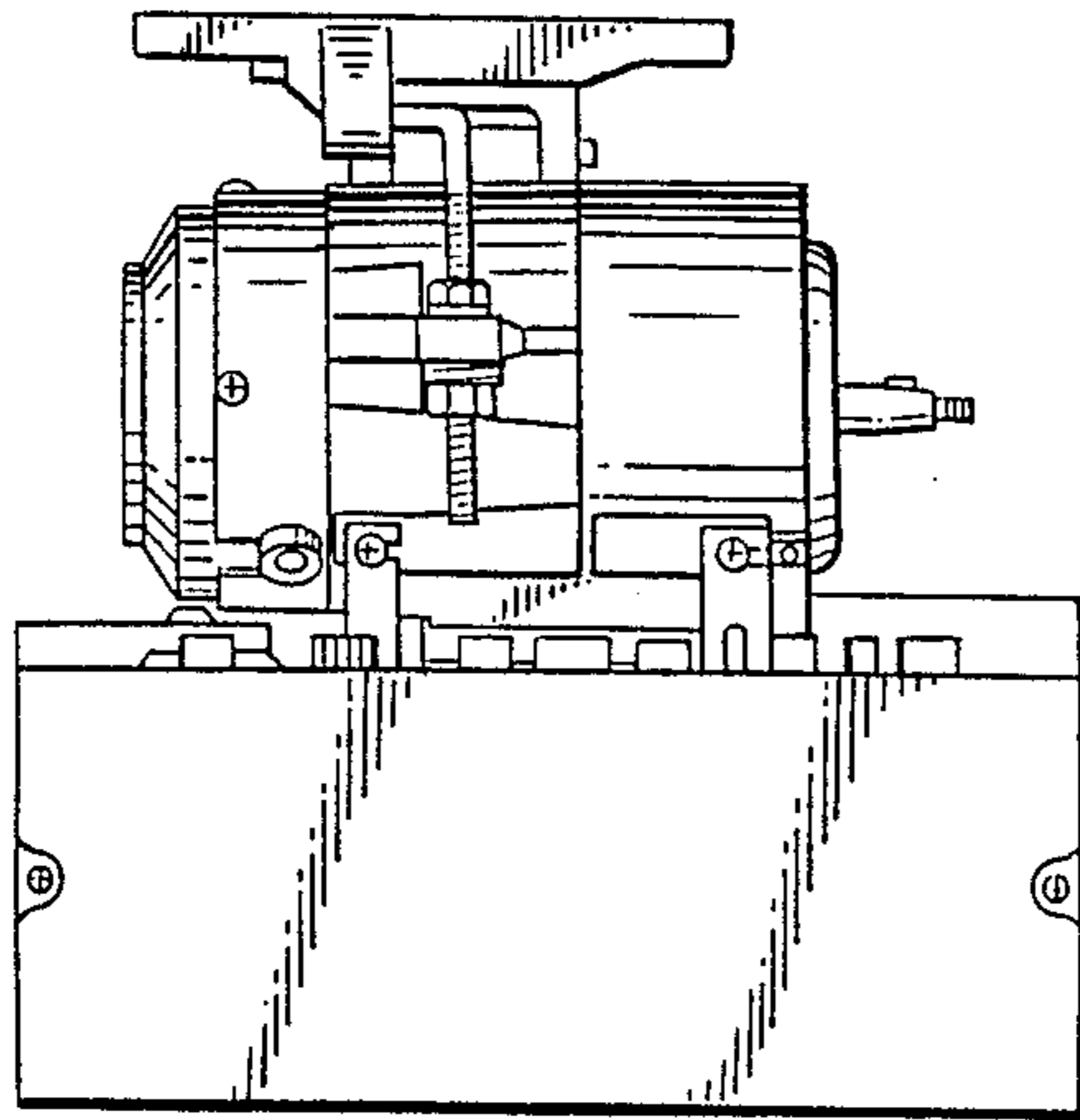


FIG. 2

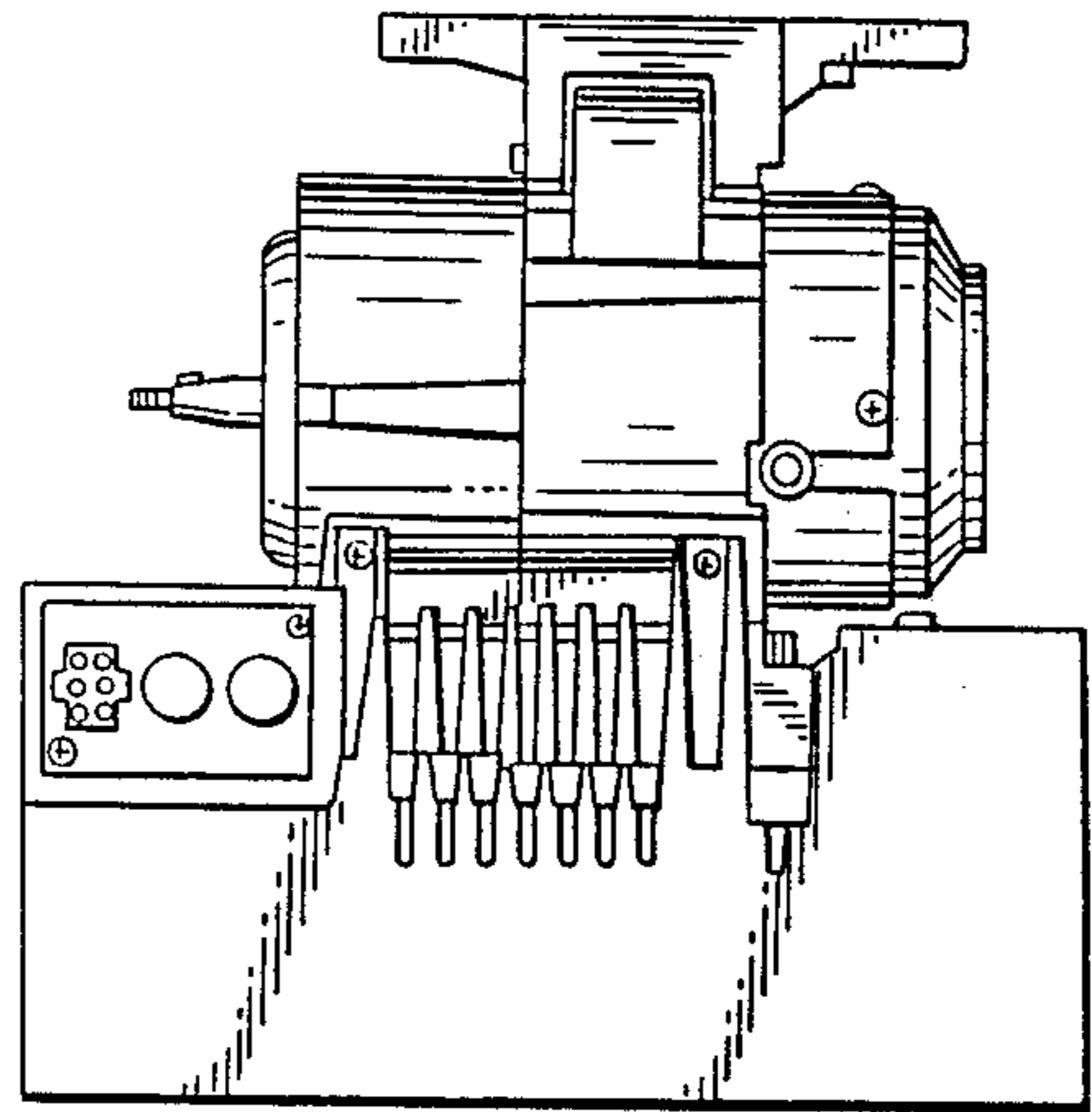


FIG. 3

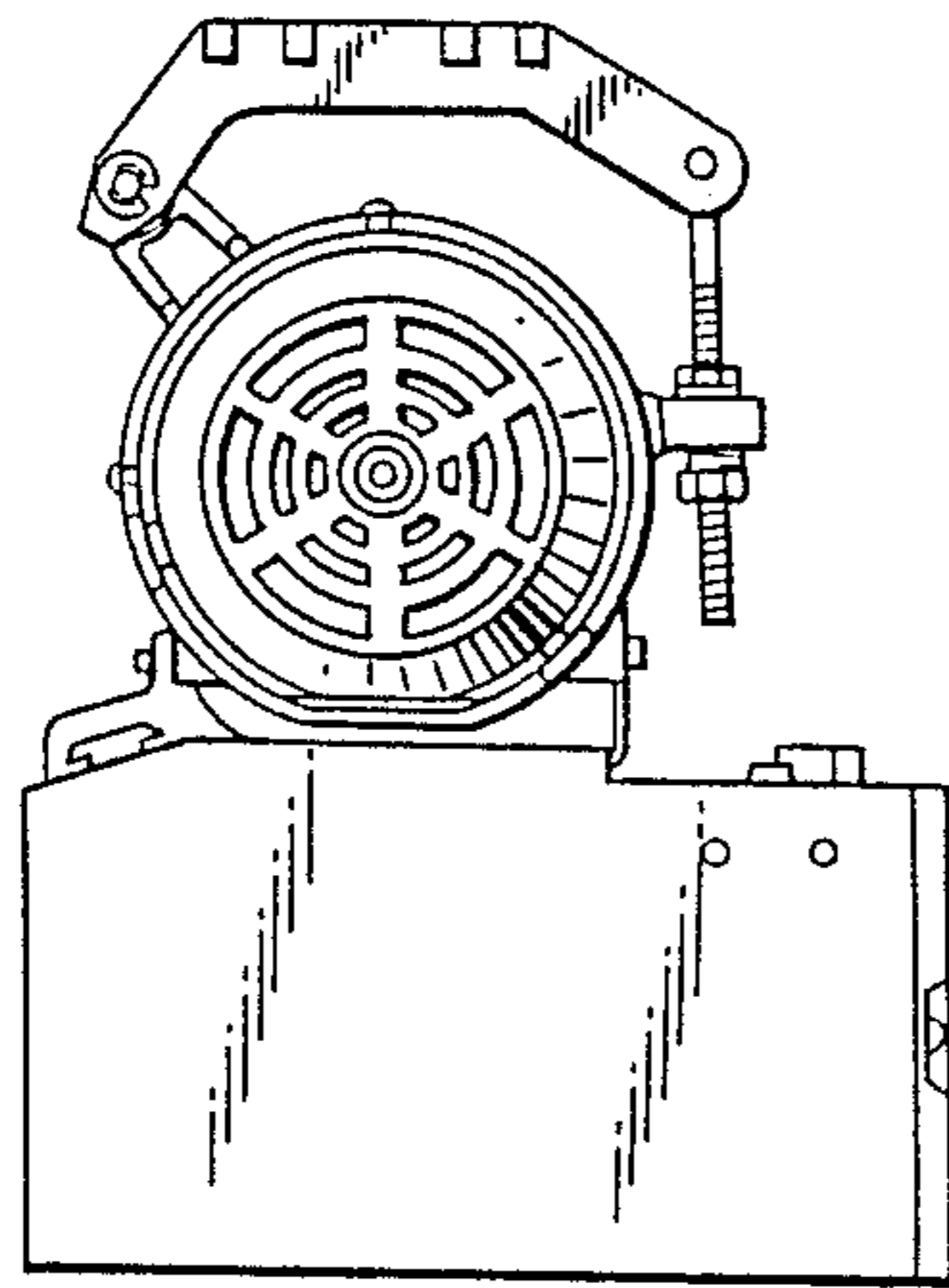


FIG. 4

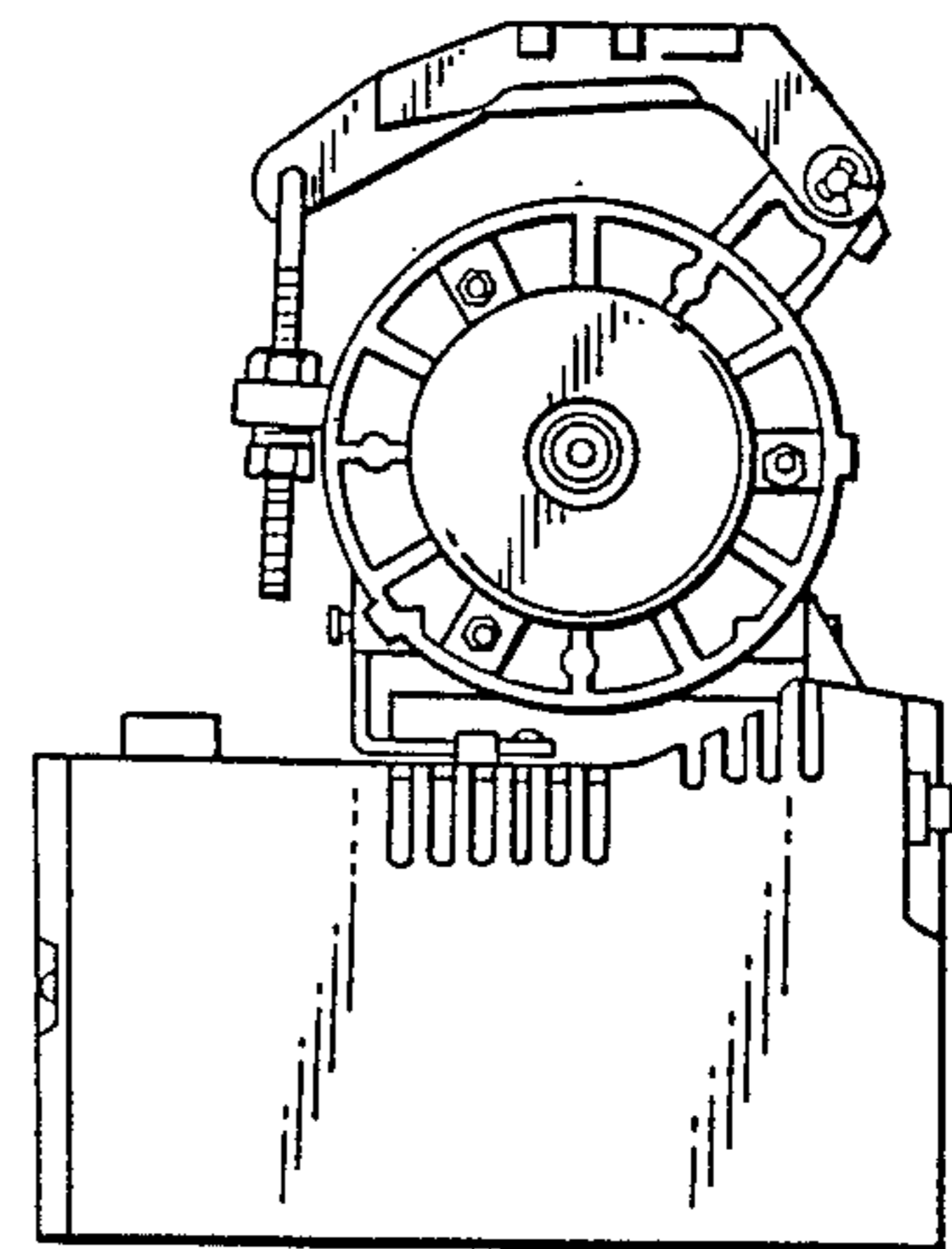


FIG. 5

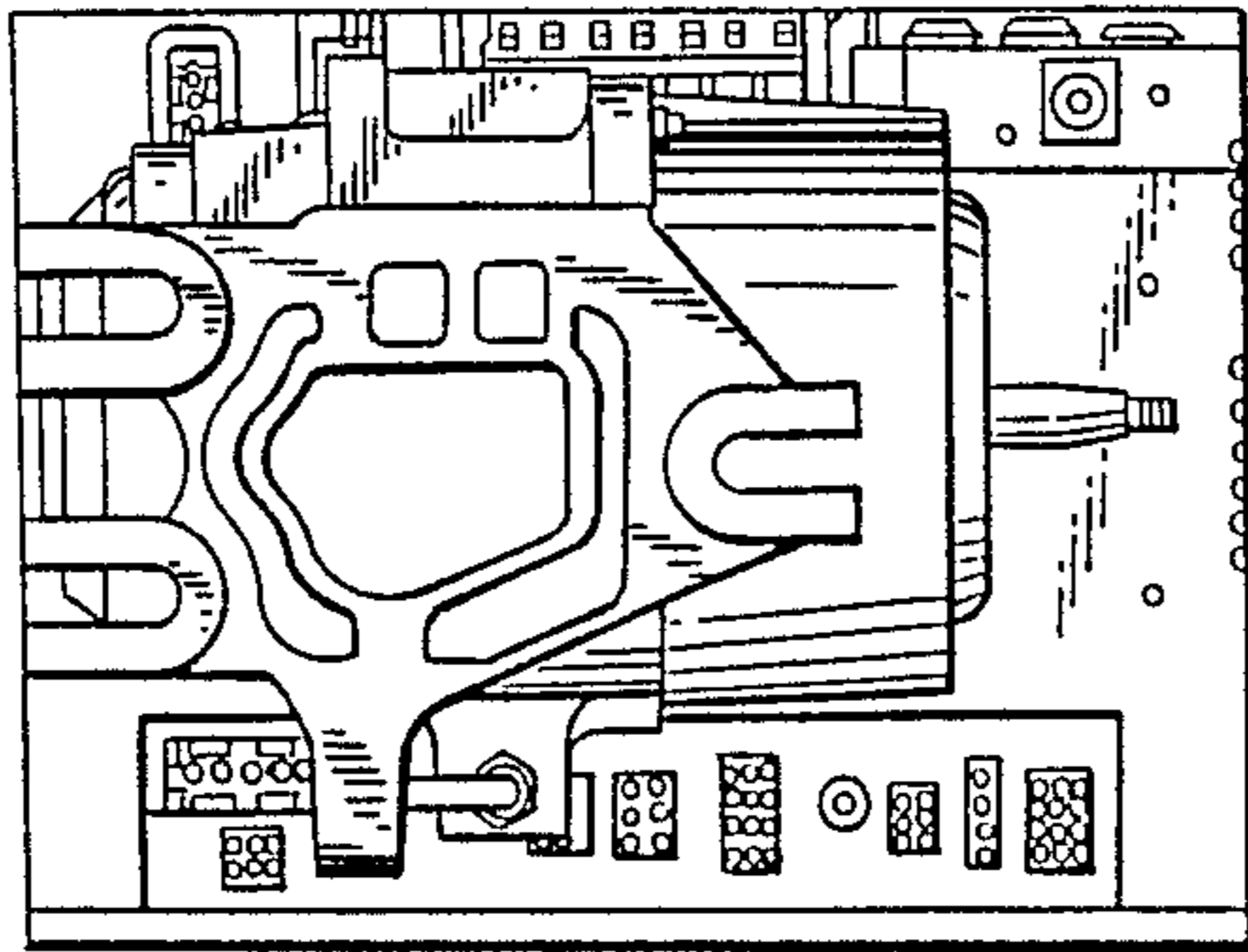


FIG. 6

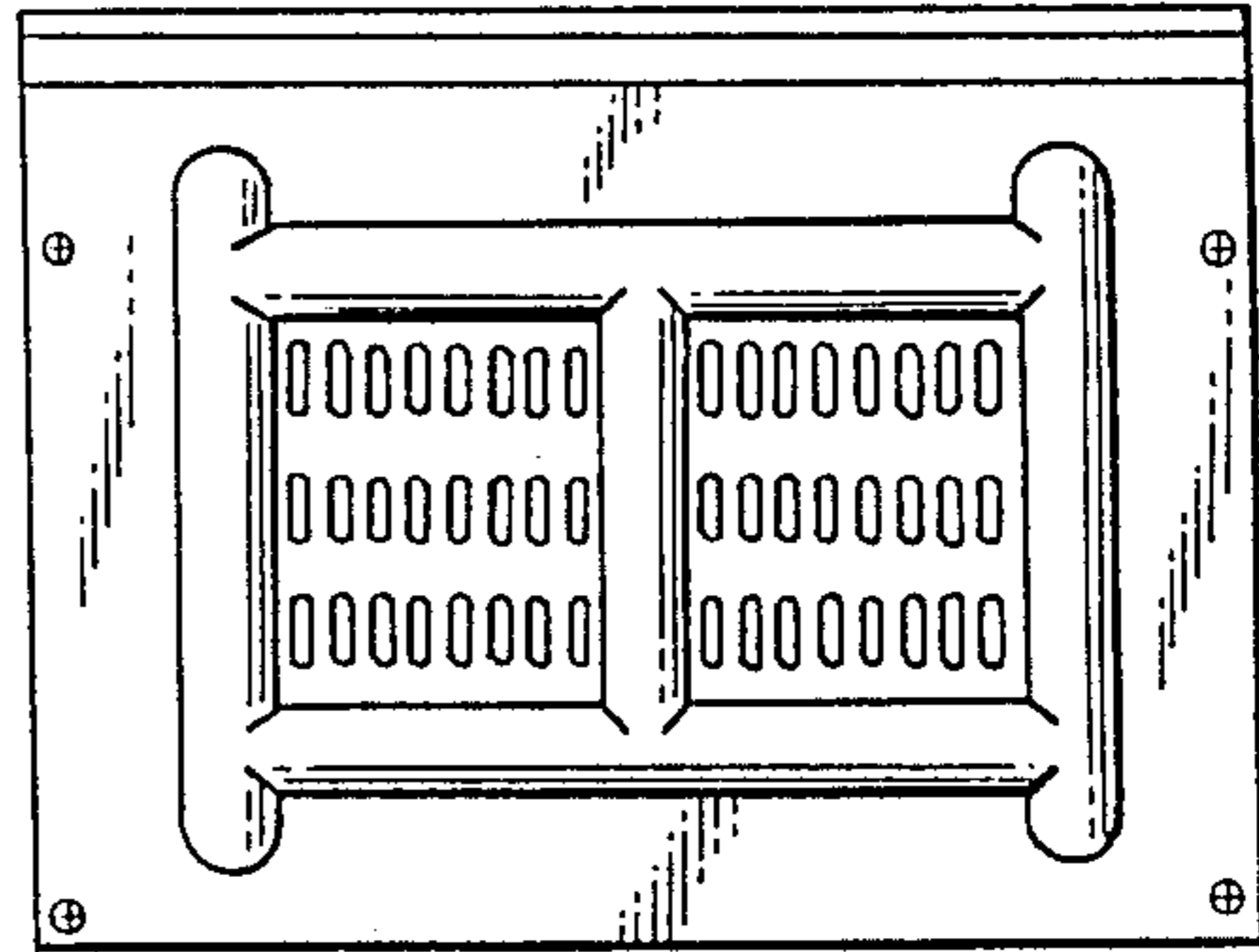


FIG. 7

