

[54] TRAY BRACKET HOLDER FOR A TELEPHONE HANDSET OR SIMILAR ARTICLE

[76] Inventor: Robert L. Hankins, 748 Warwick Dr., Plano, Tex. 75023

[**] Term: 14 Years

[21] Appl. No.: 208,555

[22] Filed: Jun. 20, 1988

[52] U.S. Cl. D14/251; 379/454

[58] Field of Search D6/467, 511, 406; D14/251, 252; 379/449, 455, 454, 440, 428, 436, 446, 450

3,693,089	9/1972	Hutchinson et al.	325/119
4,250,356	2/1981	Hommer et al.	179/146 R
4,406,928	9/1983	Mackenzie	379/454
4,484,367	11/1984	Jenkins et al.	5/425
4,577,788	3/1986	Richardson	224/273
4,612,679	9/1986	Mitchell	5/425

Primary Examiner—Horace B. Fay, Jr.
Attorney, Agent, or Firm—Hill, Van Santen, Steadman & Simpson

[57] CLAIM

The ornamental design for tray bracket holder for a telephone handset or similar article, as shown and described.

DESCRIPTION

FIG. 1 is a front, and right side perspective view of a tray bracket holder for a telephone handset or similar article;
FIG. 2 is a front elevational view thereof;
FIG. 3 is a top plan view thereof;
FIG. 4 is a rear elevational view thereof;
FIG. 5 is a bottom plan view thereof;
FIGS. 6 and 7 are respectively right and left side elevational view thereof.
The broken line showing of a telephone handset and an electric line in FIGS. 1 and 2 is for illustrative purposes only and forms no part of the claimed design.

[56] References Cited

U.S. PATENT DOCUMENTS

D. 125,459	2/1941	Thweatt	D6/467
D. 139,369	11/1944	Dann	D14/251
D. 234,055	1/1975	Woods	D14/252
D. 240,431	7/1976	Stapp	D14/251
D. 254,944	5/1980	Lee et al.	D6/467
D. 266,507	10/1982	Cavanagh	D14/251
D. 277,664	2/1985	Wilf	D14/251
D. 279,636	7/1985	Barnett	D6/511 X
D. 292,153	10/1987	Delaney	D6/511
D. 292,249	10/1987	Stade	D6/406
3,546,396	12/1970	Mancheacki et al.	179/178

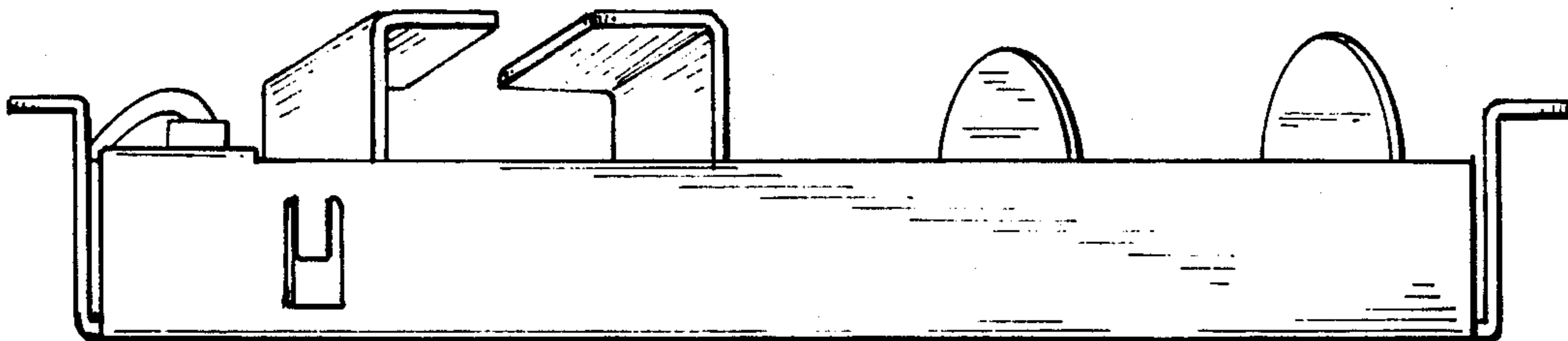
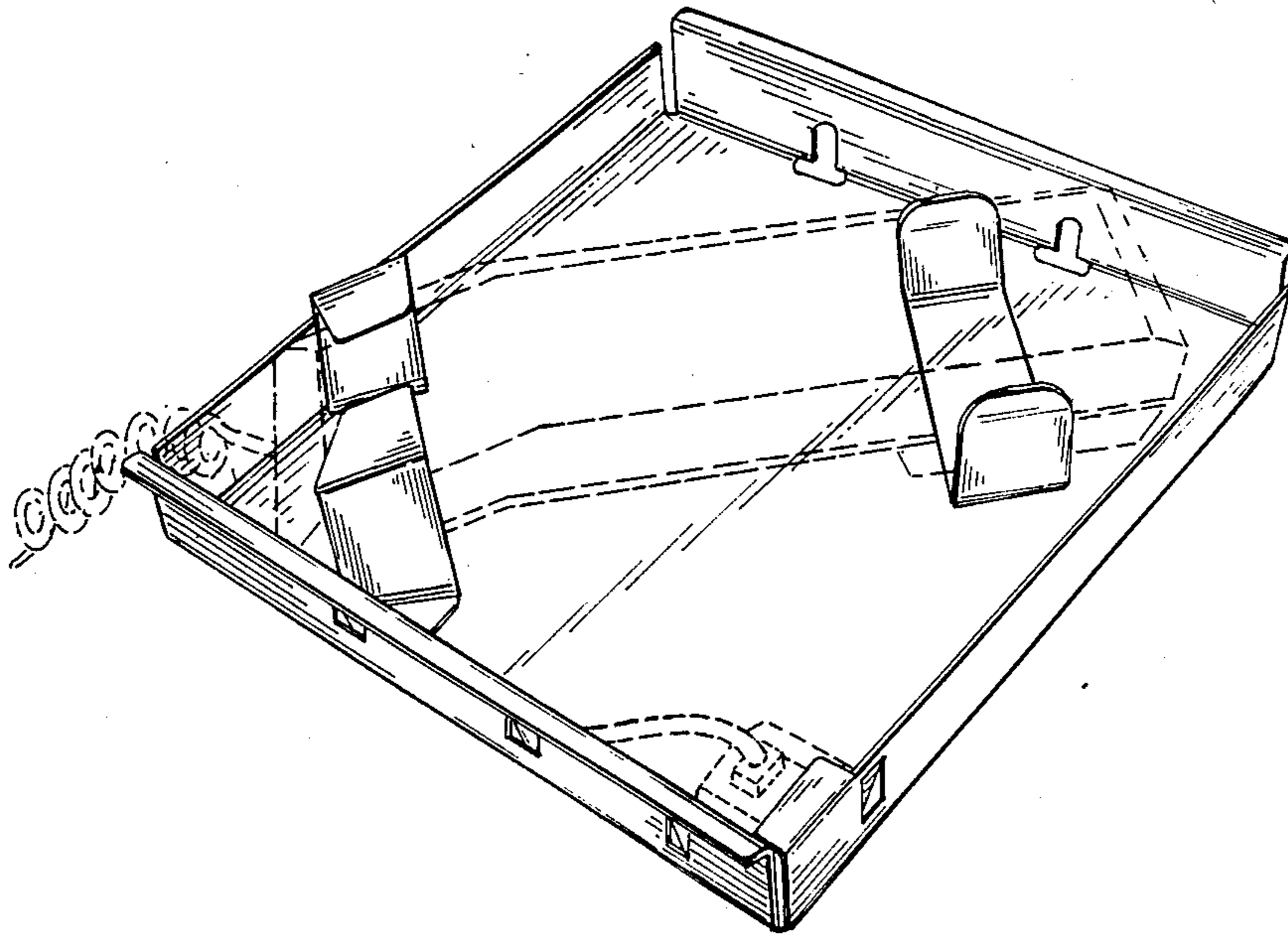


FIG. 1

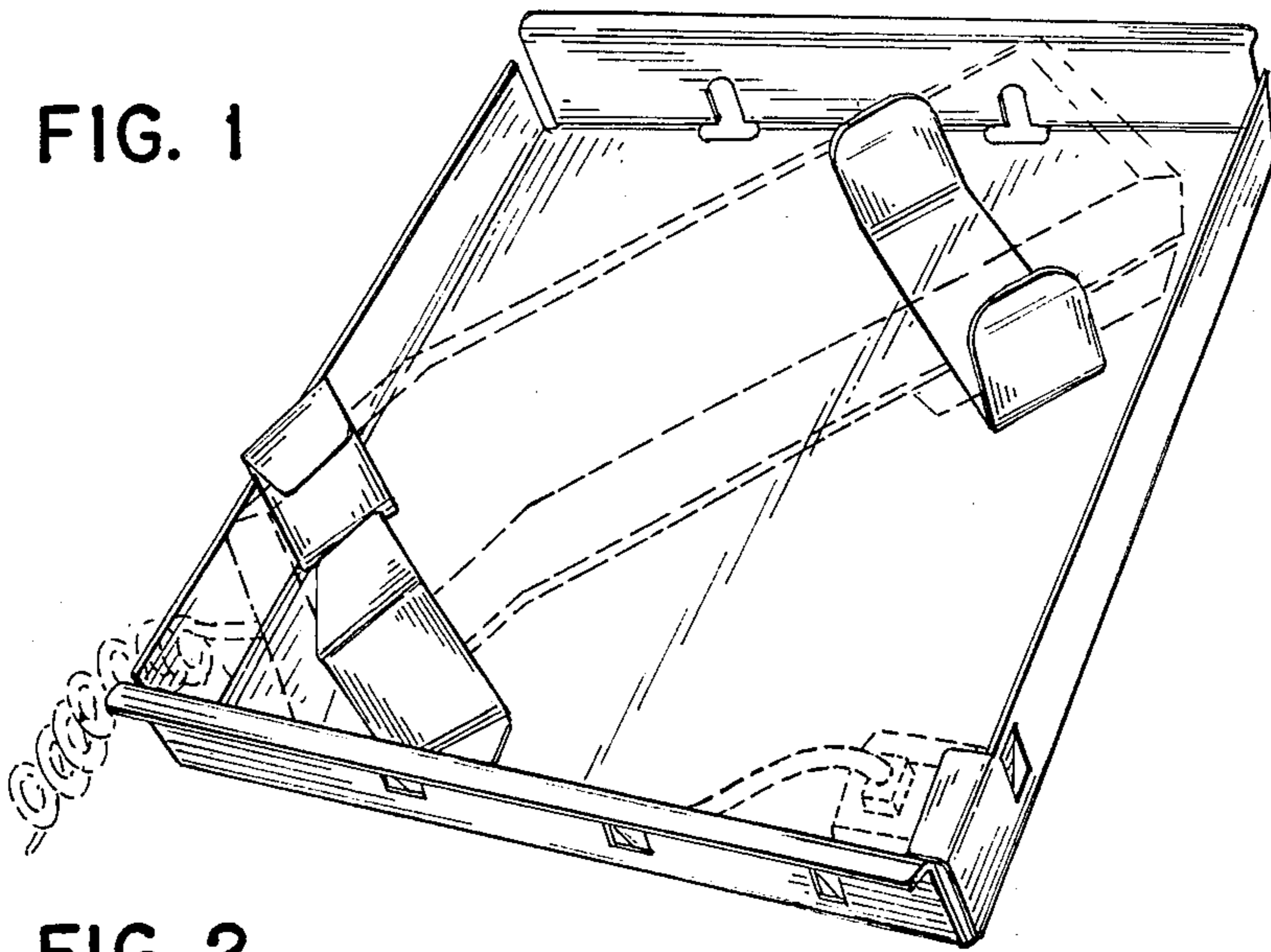


FIG. 2

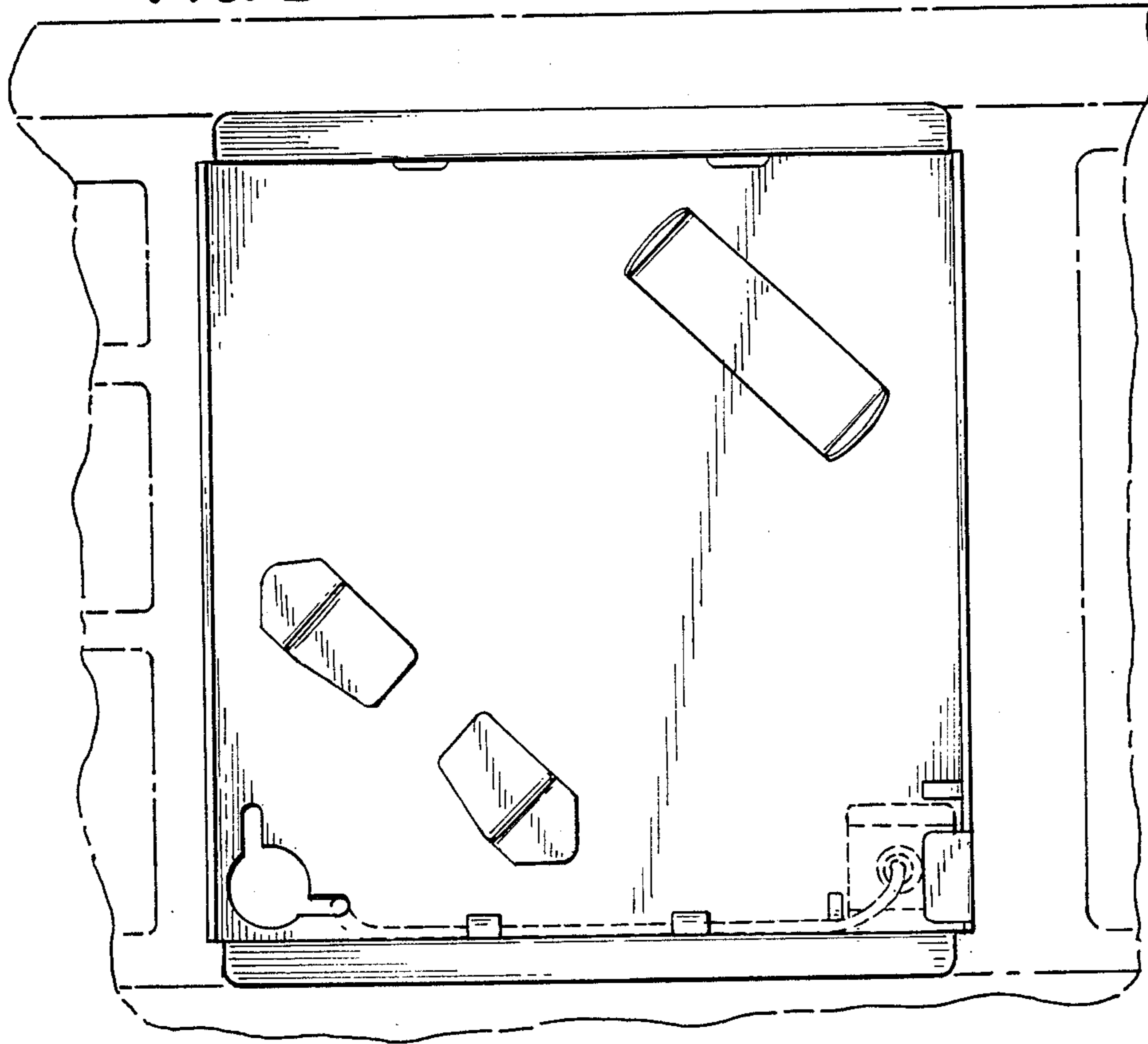


FIG. 3

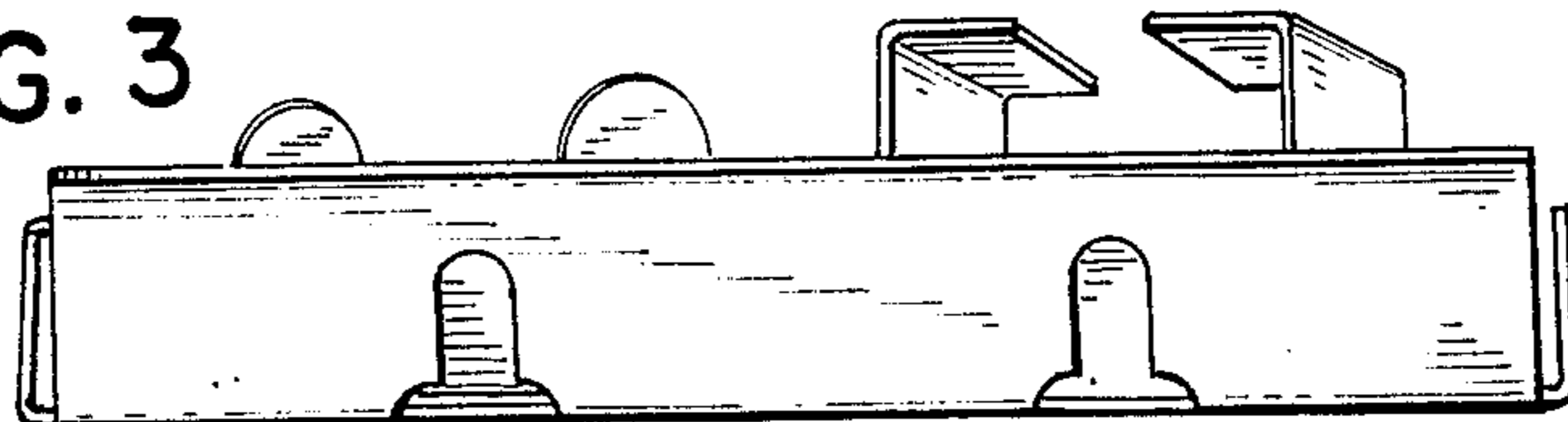


FIG. 4

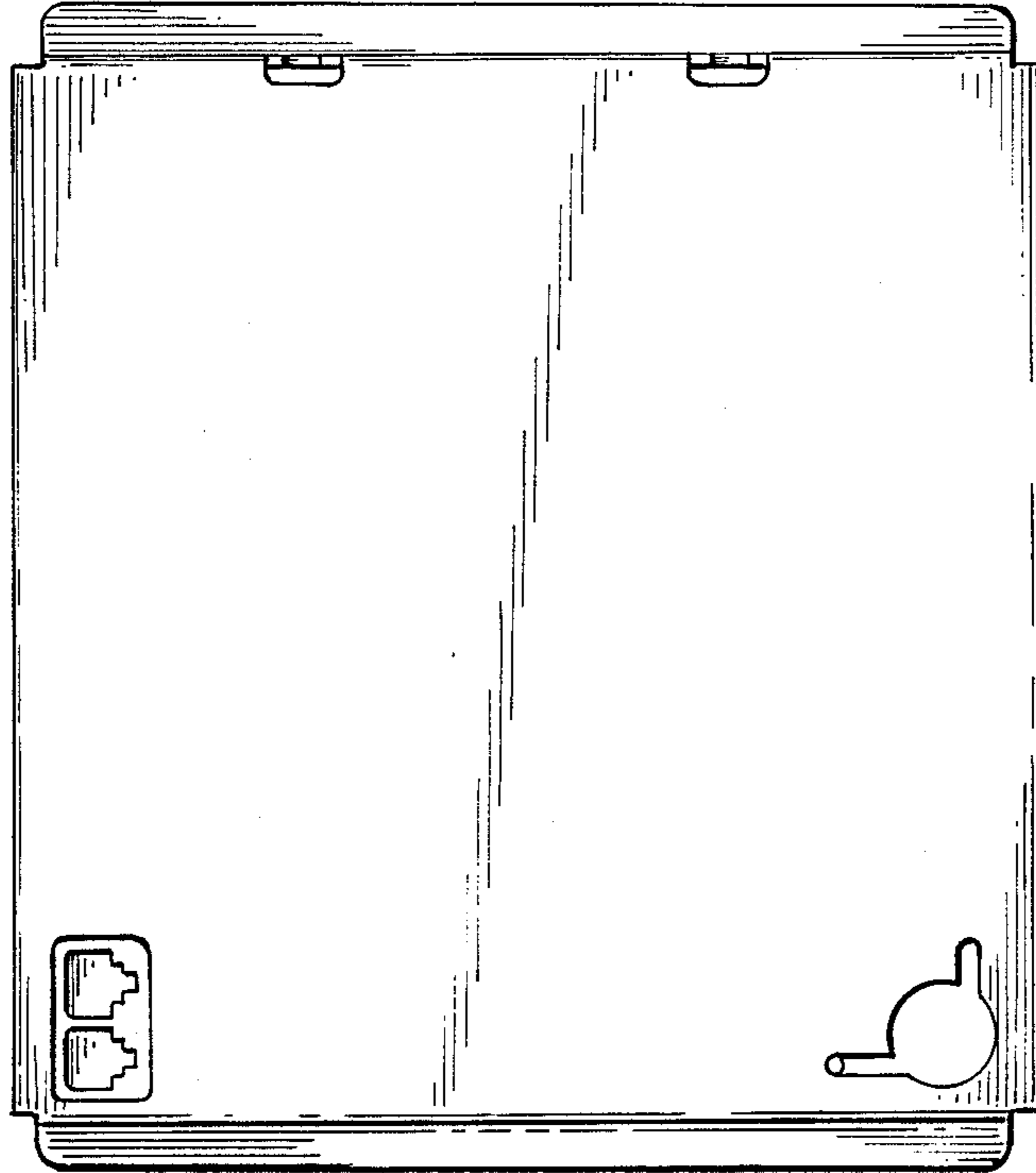


FIG. 5

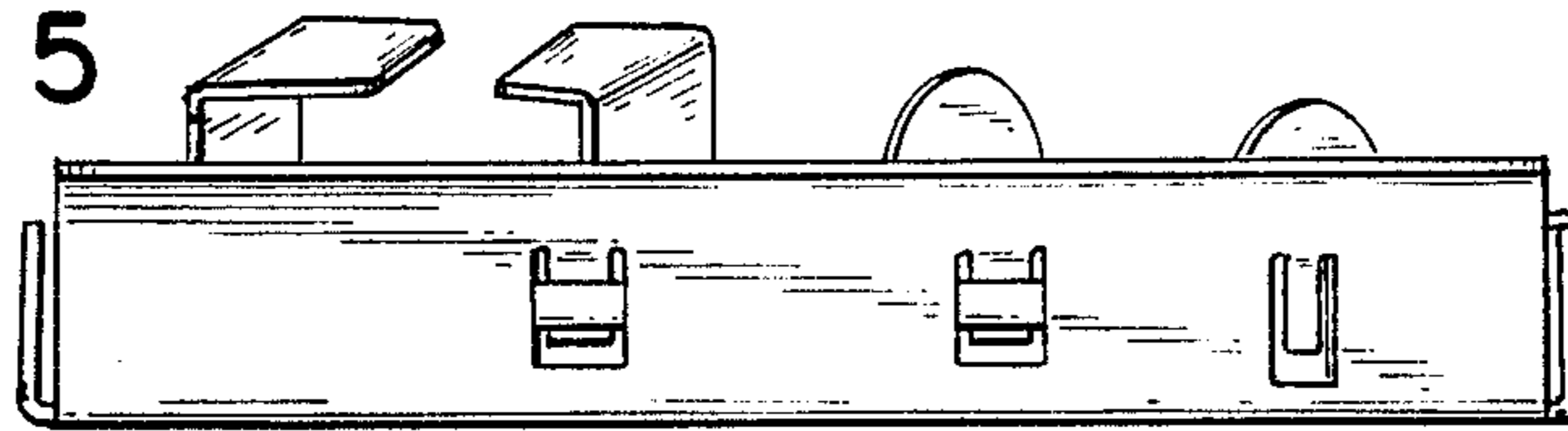


FIG. 6

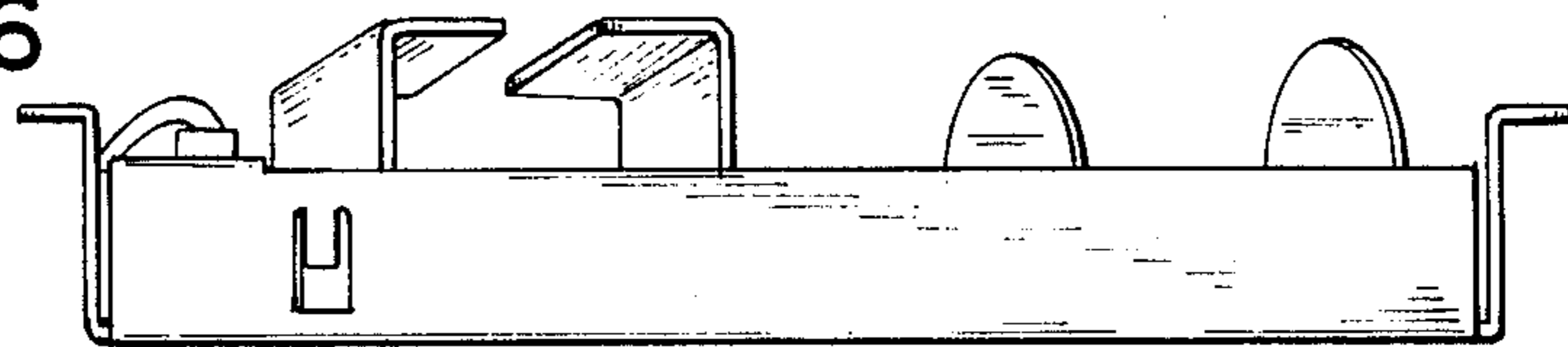


FIG. 7

