

[54] ADD-ON ACCESS MODULE FOR A TELEPHONE SET

[75] Inventor: Jacques Gagnon, Kanata, Canada

[73] Assignee: Northern Telecom Limited, Montreal, Canada

[**] Term: 14 Years

[21] Appl. No.: 247,991

[22] Filed: Sep. 22, 1988

[52] U.S. Cl. D14/241; D14/106; D14/149

[58] Field of Search D14/140, 142, 149, 150, D14/241, 106; 379/419, 428, 436, 440, 432

[56] References Cited

U.S. PATENT DOCUMENTS

D. 206,160	11/1966	Lyster	D14/244
D. 219,383	12/1970	Fox	D14/241
D. 241,949	10/1976	Marchese	D14/241
D. 271,394	11/1983	Brown et al.	D14/241
D. 276,156	10/1984	Goodin et al.	D14/106
D. 277,476	2/1985	Foggia et al.	D14/241
D. 300,028	2/1989	To	D14/241
3,916,103	10/1975	Morrell et al.	379/432
3,928,732	12/1975	Simon et al.	D14/151 X
4,394,545	7/1983	Doyle et al.	379/440

OTHER PUBLICATIONS

B. A. Pargh Co, Inc.; 1989 Spring-Summer Catalog; at p. 369; Panasonic UL Modular Unit. AT&T Product Catalog: at p. 31, Fax 3500D.

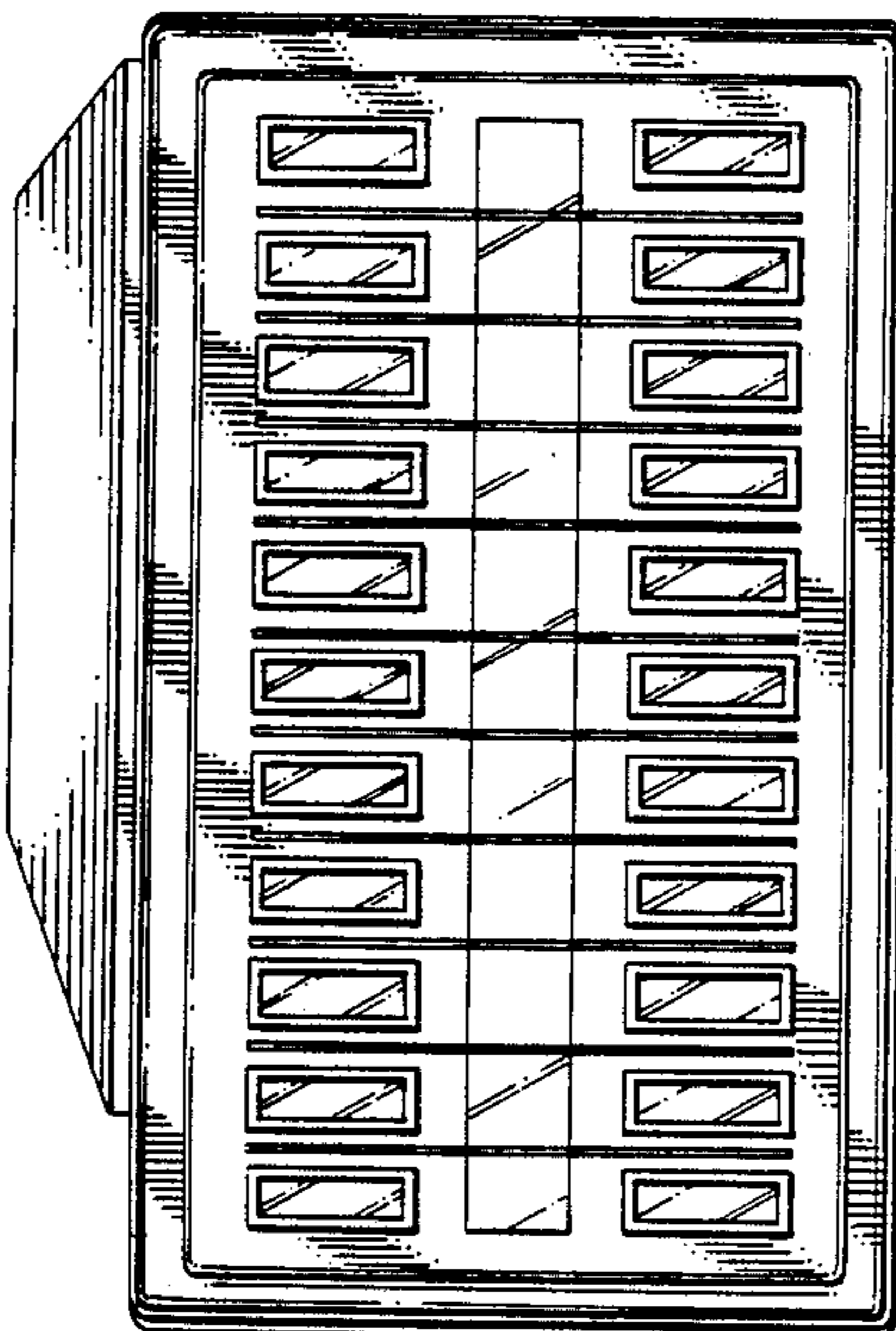
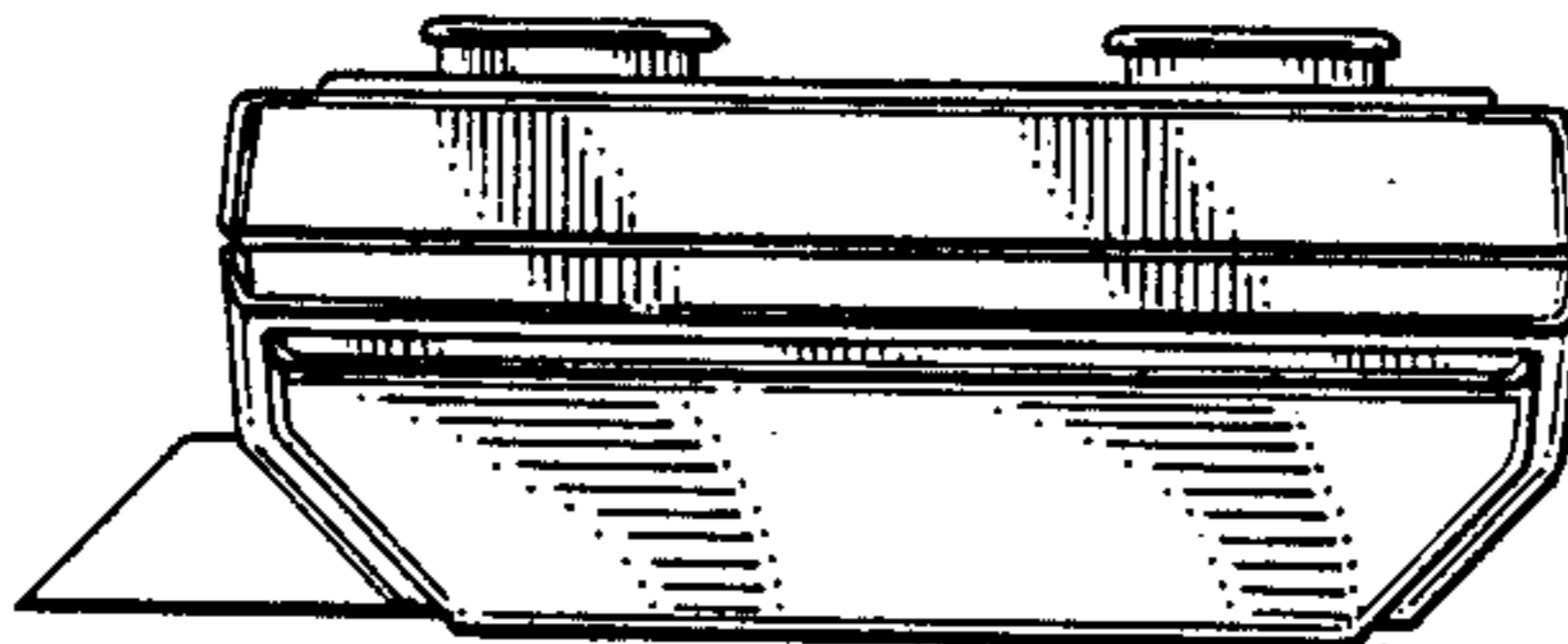
Primary Examiner—Horace B. Fay, Jr. Attorney, Agent, or Firm—Robert C. Hogeboom

[57] CLAIM

The ornamental design for an add-on access module for a telephone set, as shown and described.

DESCRIPTION

FIG. 1 is a front perspective view of the add-on access module showing my new design; FIG. 2 is a front elevational view thereof; FIG. 3 is a top plan view thereof; FIG. 4 is a bottom plan view thereof; FIG. 5 is a rear elevational view thereof; FIG. 6 is a right elevational view thereof; FIG. 7 is a left elevational view thereof; FIG. 8 is a front perspective view thereof showing, in dashed outline, an associated telephone set; The broken line showing of a fragmentary module support edge in FIG. 1.



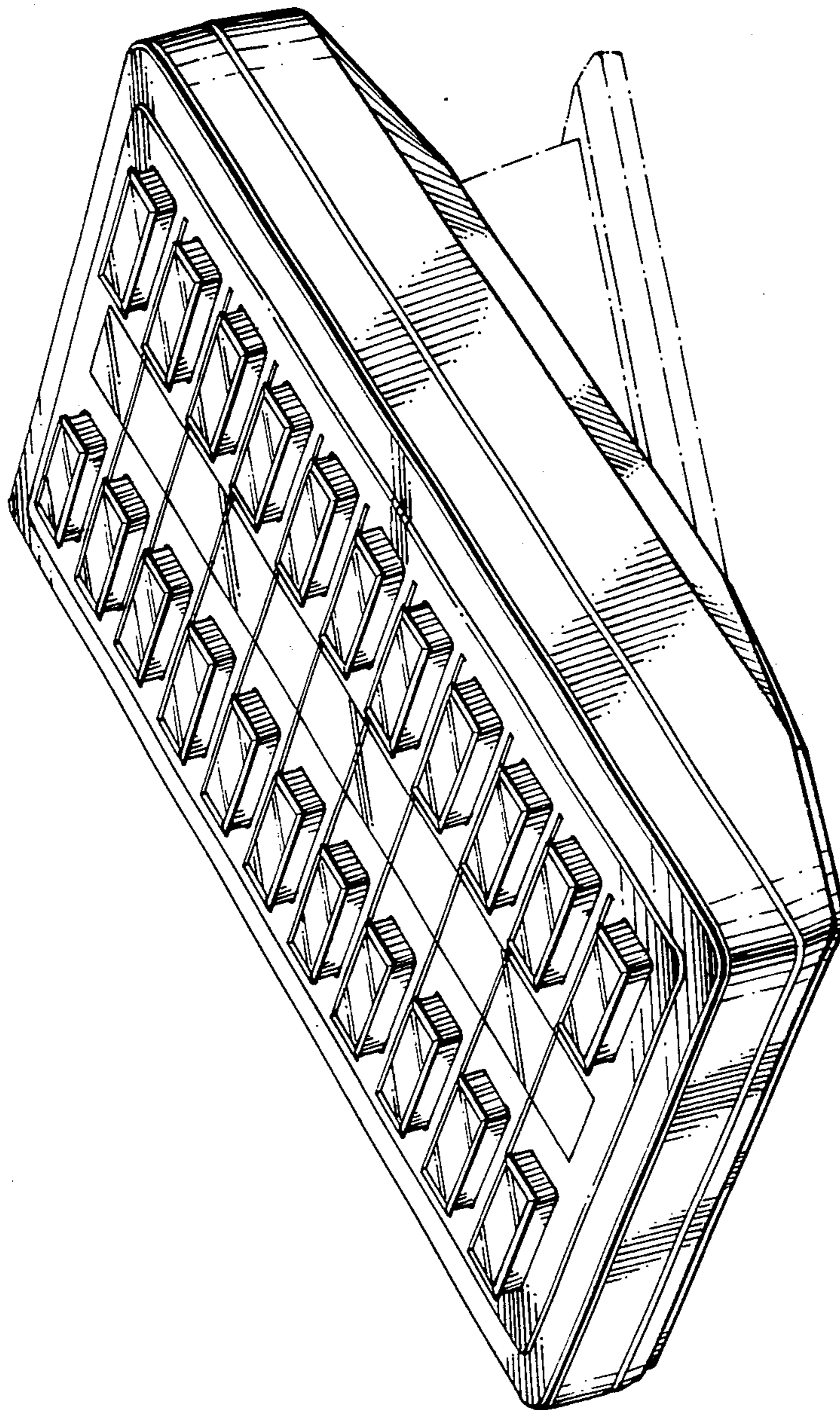


FIG. 1

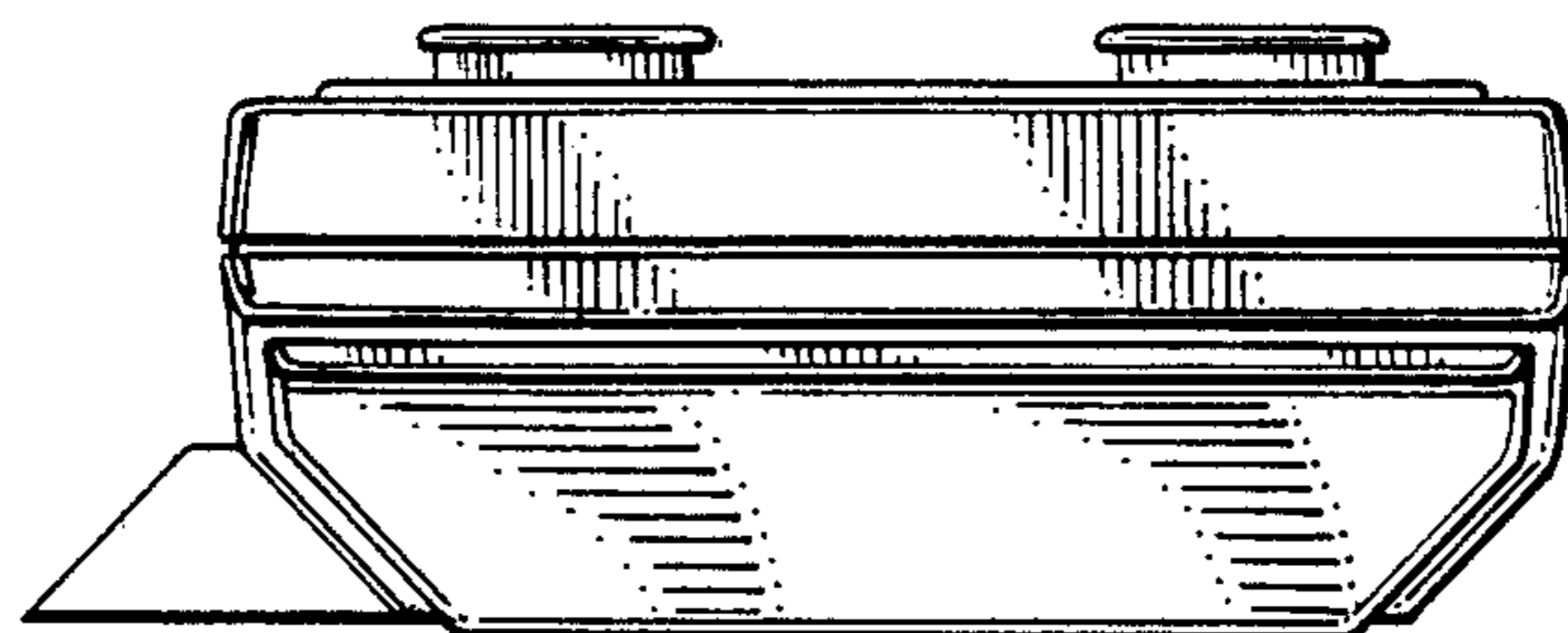


FIG. 2

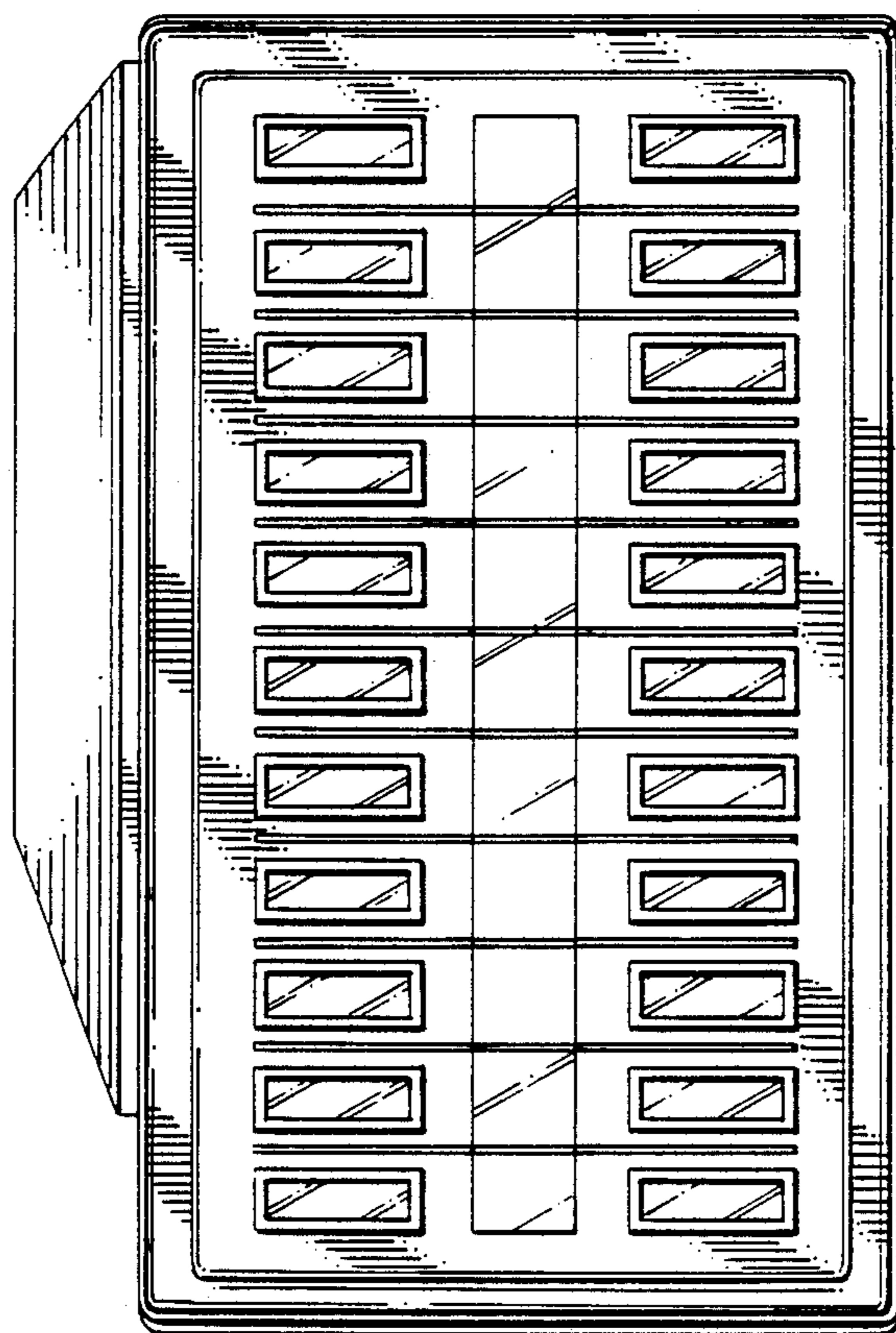


FIG. 3

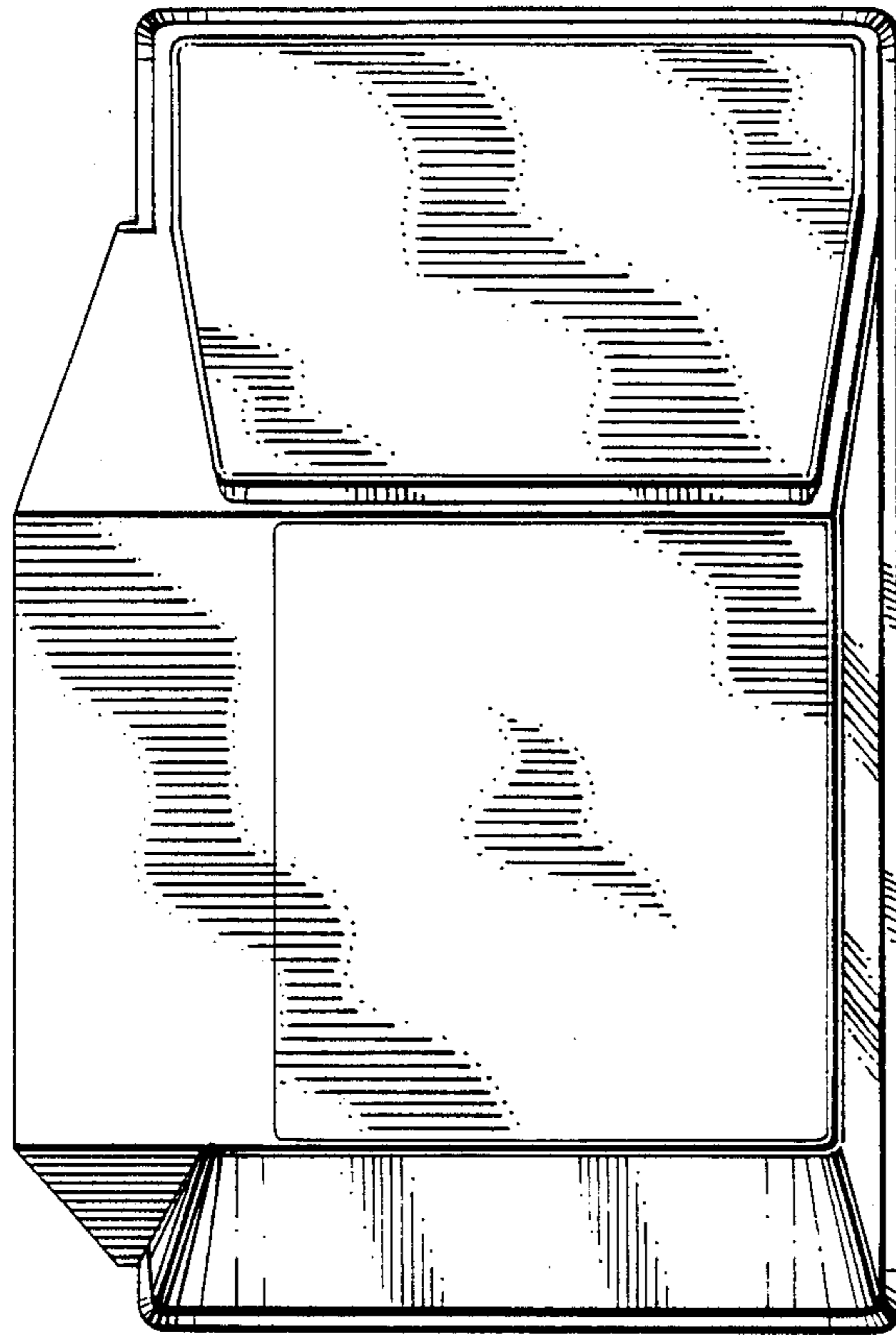


FIG. 4

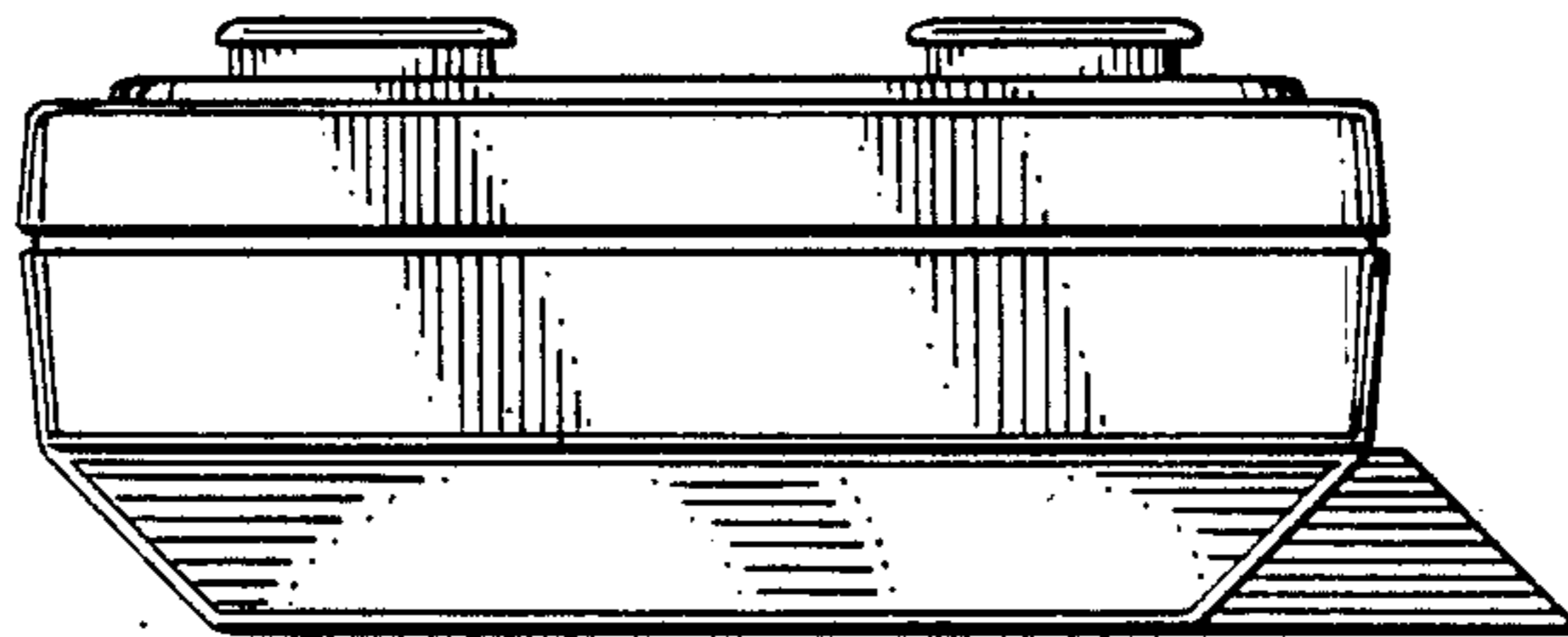


FIG. 5

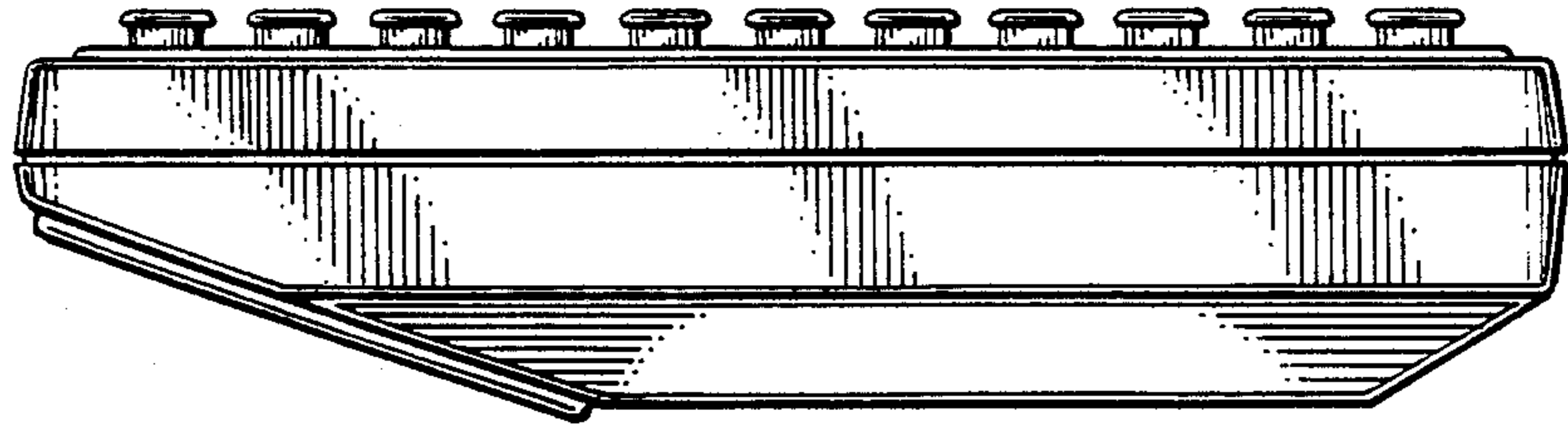


FIG. 6

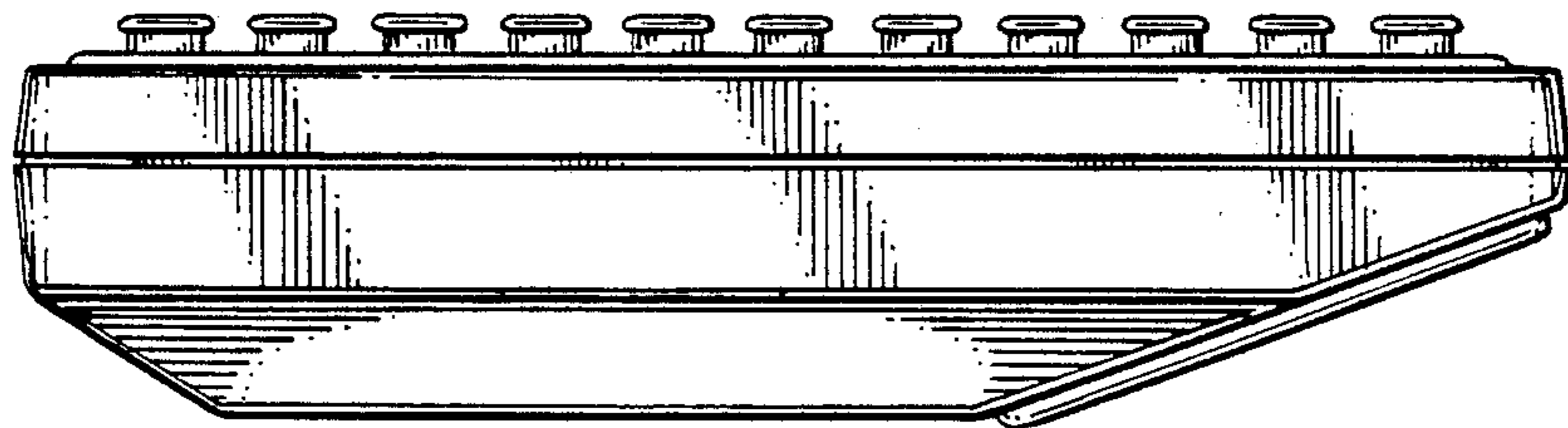


FIG. 7

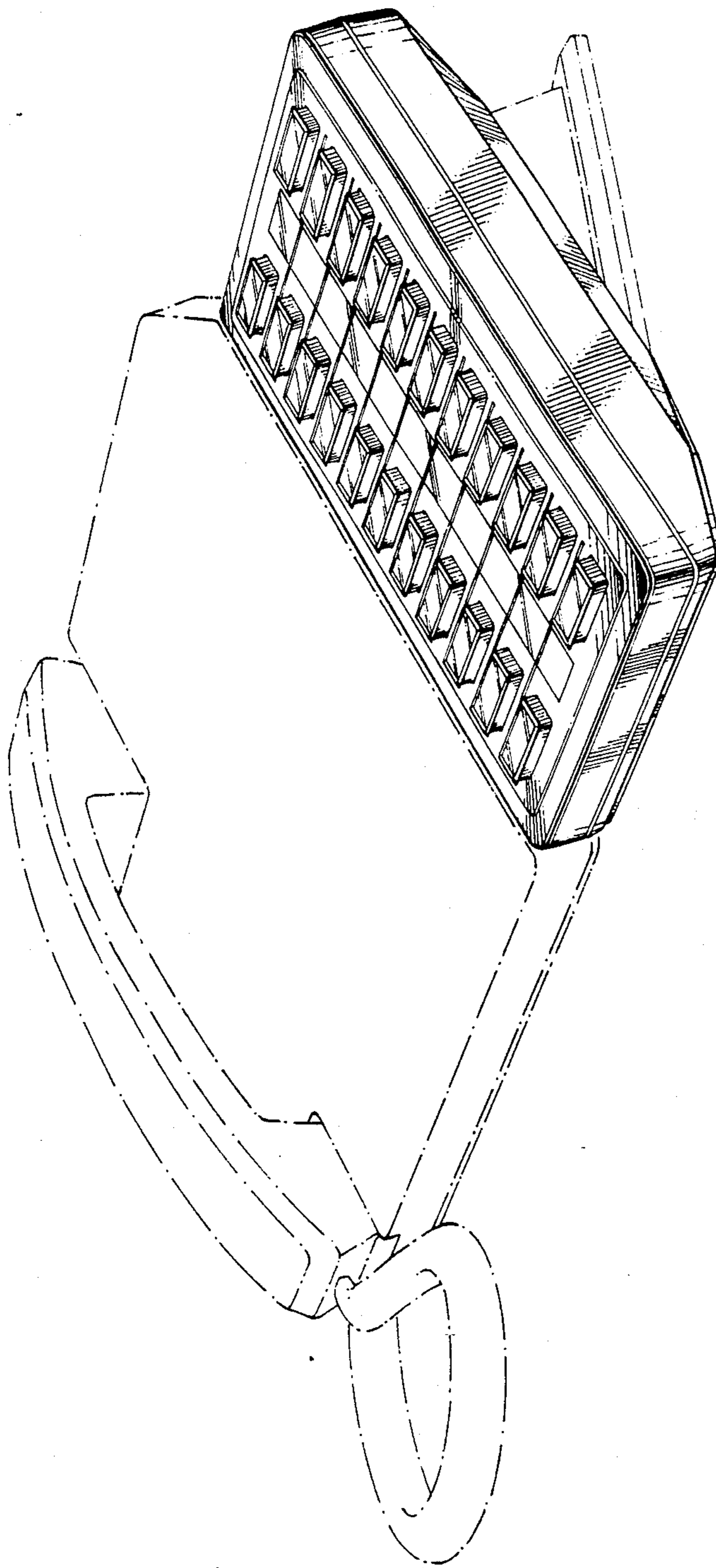


FIG. 8