

[54] **DISPLAY ADD-ON FOR TELEPHONE EQUIPMENT, OR THE LIKE**

[75] **Inventor: Alan P. Boykiw, Ottawa, Canada**

[73] **Assignee: Northern Telecom Limited, Montreal, Canada**

[**] **Term: 14 Years**

[21] **Appl. No.: 257,238**

[22] **Filed: Oct. 13, 1988**

[52] **U.S. Cl. D14/240; D14/149; D14/146; D14/113; D14/151**

[58] **Field of Search D14/151, 106, 252, 113, D14/254, 115, 150, 104, 123; 379/450, 428, 440, 436; D18/12**

[56] **References Cited**

U.S. PATENT DOCUMENTS

D. 196,648	10/1963	Sucre	D14/106
D. 198,879	8/1964	Furlani et al.	D14/106
D. 206,716	1/1967	de Rossi	D14/106
D. 250,588	12/1978	Mayer et al.	D14/106
D. 271,972	12/1983	Genaro et al.	D14/149
D. 290,700	7/1987	Lundahl	D14/151
D. 290,702	7/1987	Stern et al.	D14/113
D. 291,093	7/1987	Wang	D14/113
D. 293,790	1/1988	Hillmer	D14/106
D. 294,248	3/1988	Richter et al.	D14/151
D. 295,519	5/1988	Kimble	D14/106
D. 298,130	10/1988	Komatsu	D14/151
D. 298,532	11/1988	Richardson et al.	D14/151

D. 298,945	12/1988	Kagayama et al.	D14/106
D. 299,431	12/1988	Sagano	D14/106
D. 301,138	5/1989	Lee	D14/151
777,583	12/1904	Baethig	379/450
4,159,403	6/1979	Songster	379/450
4,330,692	5/1982	Foreman, Sr.	379/450
4,438,458	3/1984	Münscher	D14/113 X
4,830,328	5/1989	Takach, Jr. et al.	248/676

FOREIGN PATENT DOCUMENTS

0186749	10/1984	Japan	379/428
---------	---------	-------------	---------

OTHER PUBLICATIONS

IBM Tech. Disclosure Bulletin, vol. 24, No. 7B, Dec. 1981; CRT Mtg. for Typewriter; Leg Support.

Primary Examiner—Horace B. Fay, Jr.
Attorney, Agent, or Firm—Robert C. Hogeboom

[57] **CLAIM**

The ornamental design for a display add-on for telephone equipment, or the like, as shown and described.

DESCRIPTION

FIG. 1 is a top, front and side perspective view of a display add-on for telephone equipment or the like showing my new design.

FIG. 2 is a top plan view thereof;

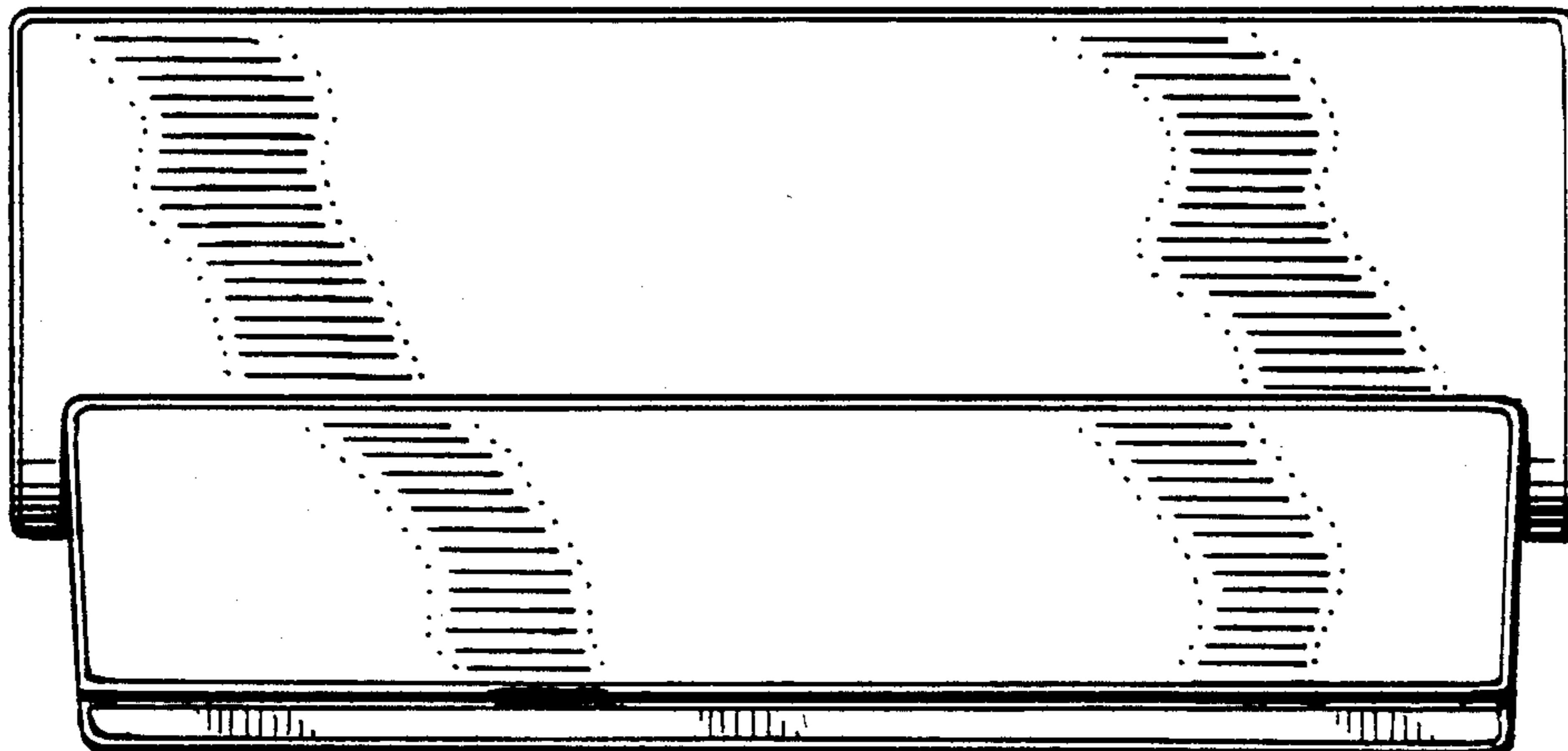
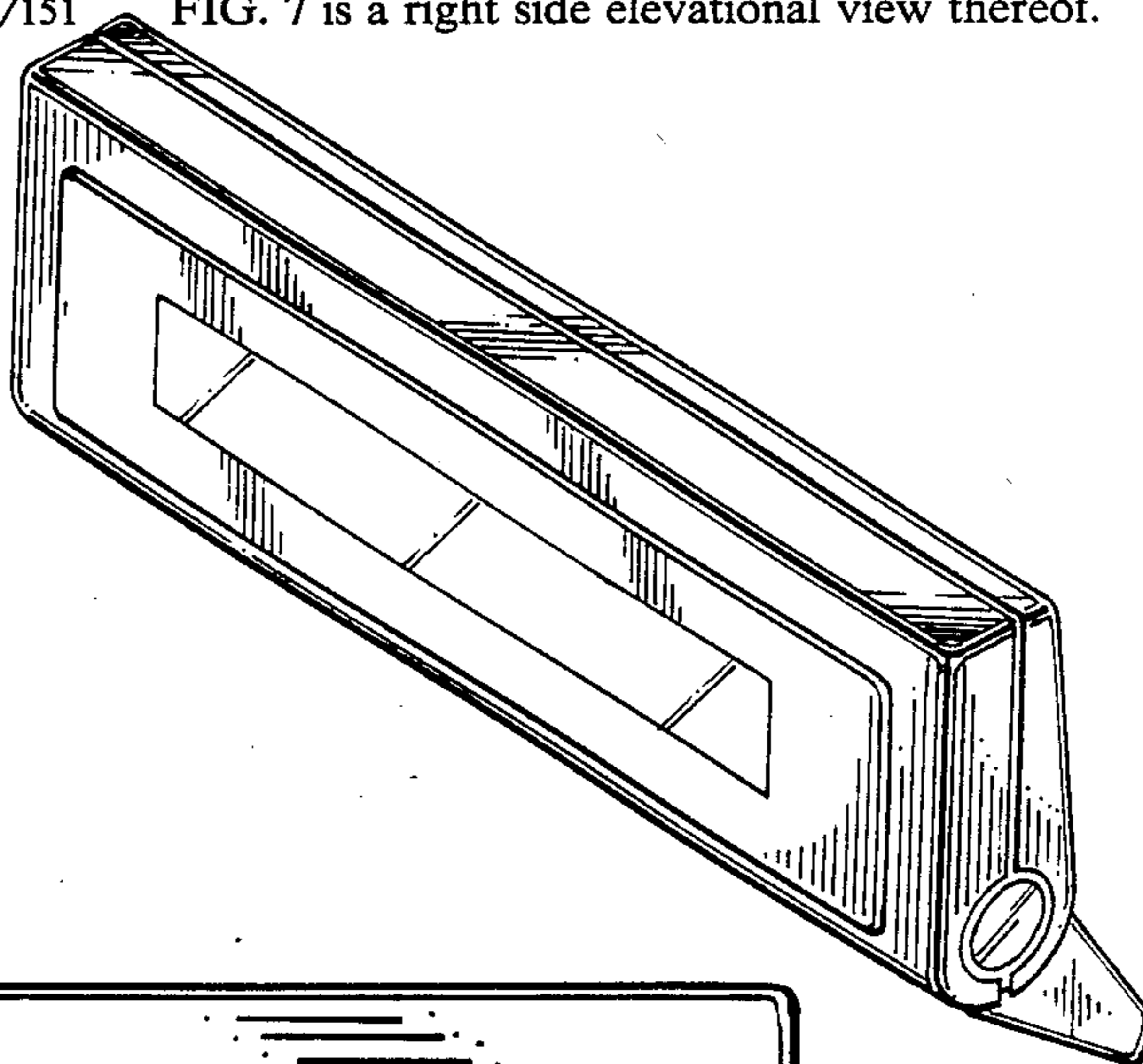
FIG. 3 is a front elevational view thereof;

FIG. 4 is a back elevational view thereof;

FIG. 5 is a bottom plan view;

FIG. 6 is a left side elevational view thereof; and

FIG. 7 is a right side elevational view thereof.



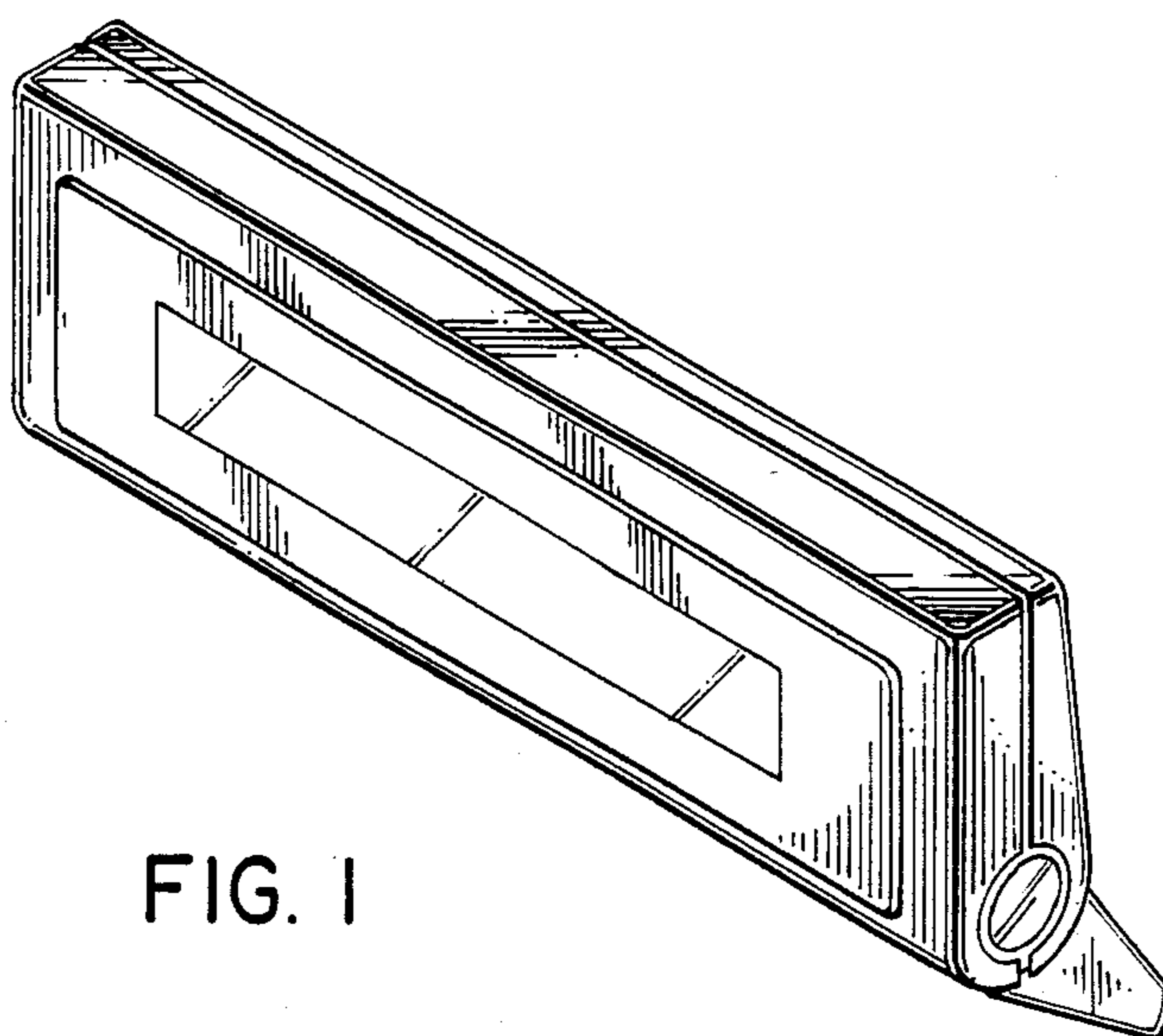


FIG. 1

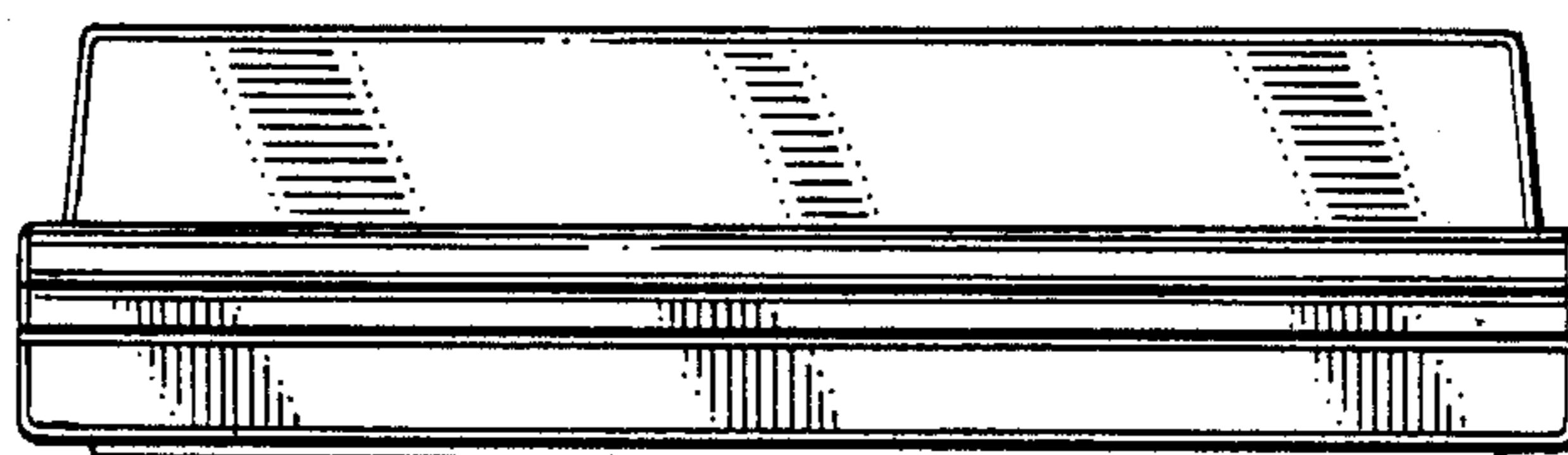


FIG. 2

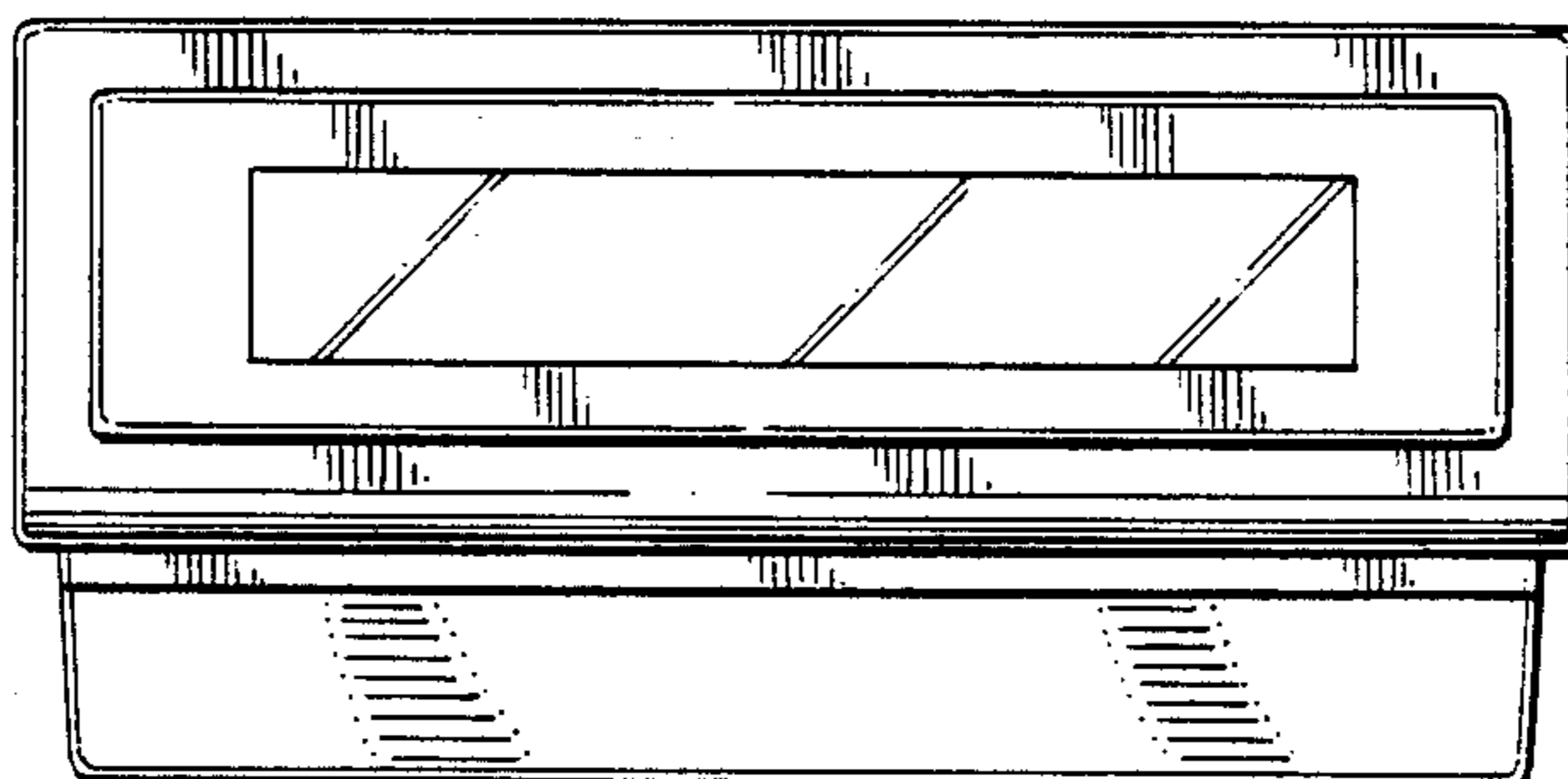


FIG. 3

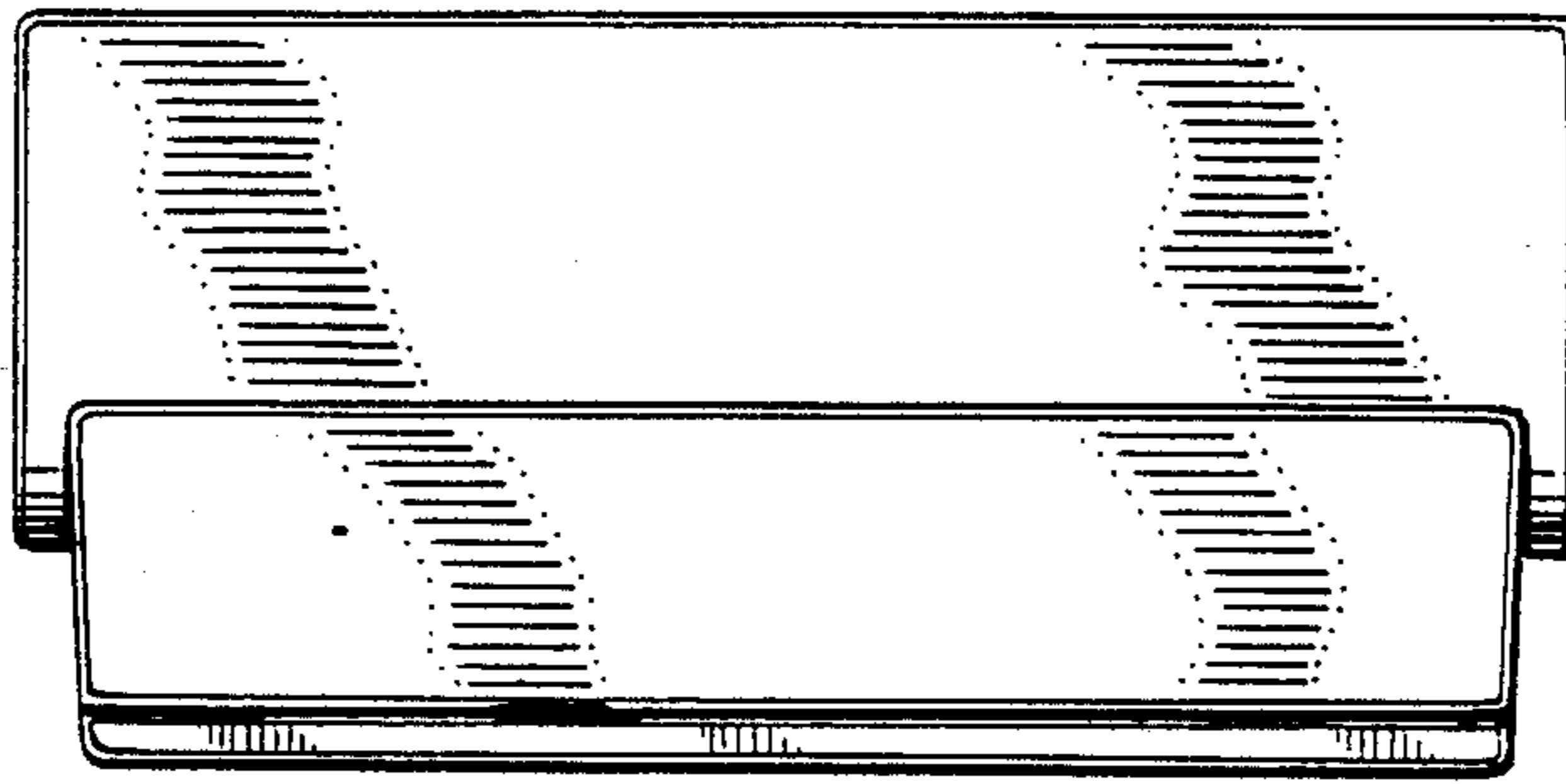


FIG. 4

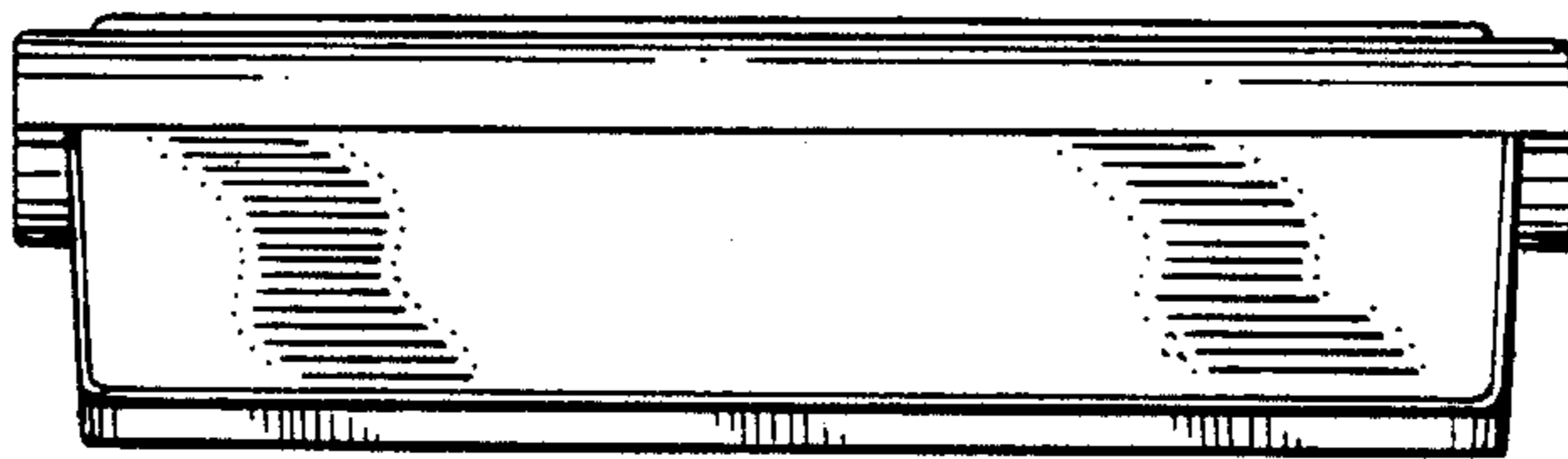


FIG. 5

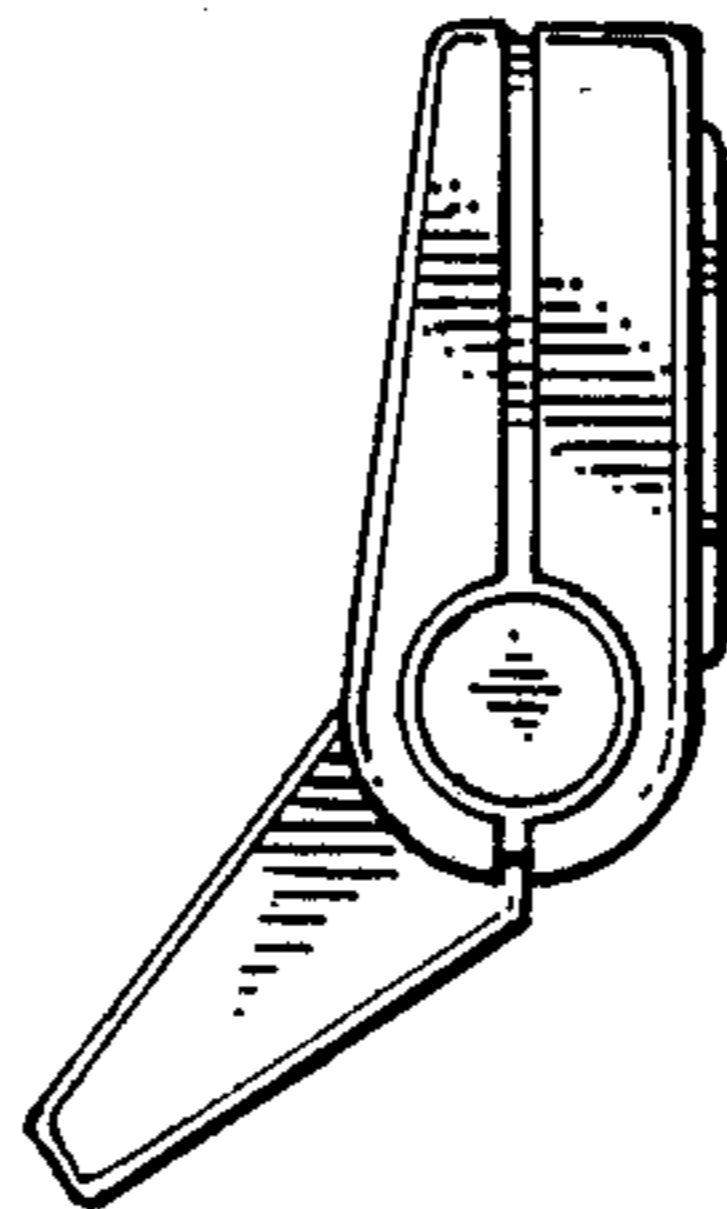


FIG. 6

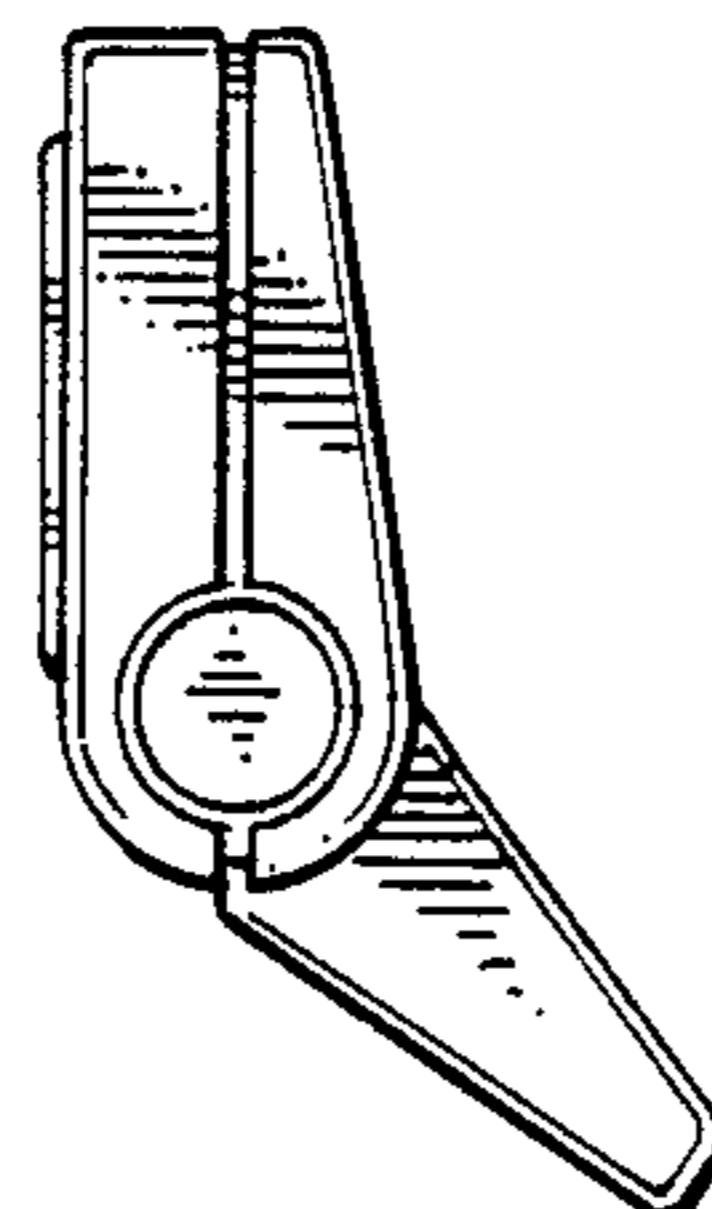


FIG. 7