

[54] **MOUSE FOR COMPUTER BOARD**

[76] **Inventors: Donald P. Shulman; Betty A. Shulman**, both of 440 Brentwood Dr., Piscataway, N.J. 08854

[\*\*] **Term: 14 Years**

[21] **Appl. No.: 223,768**

[22] **Filed: Jul. 25, 1988**

[52] **U.S. Cl. .... D14/114**

[58] **Field of Search .... D14/100, 106, 107, 113, D14/114, 115, 116; D13/32, 38, 12; D21/48, 153, 188, 189; 74/471 XY; 340/700, 706, 709-711; 200/5 R, 5 A, 6 R, 6 A; 341/22, 23; 273/148 B; 178/18, 19**

[56] **References Cited**

**U.S. PATENT DOCUMENTS**

4,514,726 4/1985 Whetstone et al. .... 178/18 X  
4,550,316 10/1985 Whetstone et al. .... 340/710

**OTHER PUBLICATIONS**

Electrical World—Oct. 1986, p. 41—Computer Mouse, Computer Box, Group 290.

Personal Computer Products—Sep. 1986, p. 36—Inmac Exclusive Mouse—Computer Box—Group 290.

*Primary Examiner*—Susan J. Lucas

*Assistant Examiner*—Freda S. Nunn

*Attorney, Agent, or Firm*—Mathews, Woodbridge, Goebel, Pugh & Collins

[57] **CLAIM**

The ornamental design for a mouse for computer board, as shown and described.

**DESCRIPTION**

FIG. 1 is a top, front, right side perspective view of the mouse for computer board showing my new design;

FIG. 2 is a top plan view thereof;

FIG. 3 is a front elevational view thereof;

FIG. 4 is a right side elevational view thereof, the left side being a mirror image;

FIG. 5 is a bottom plan view thereof;

FIG. 6 is a rear elevational view thereof.

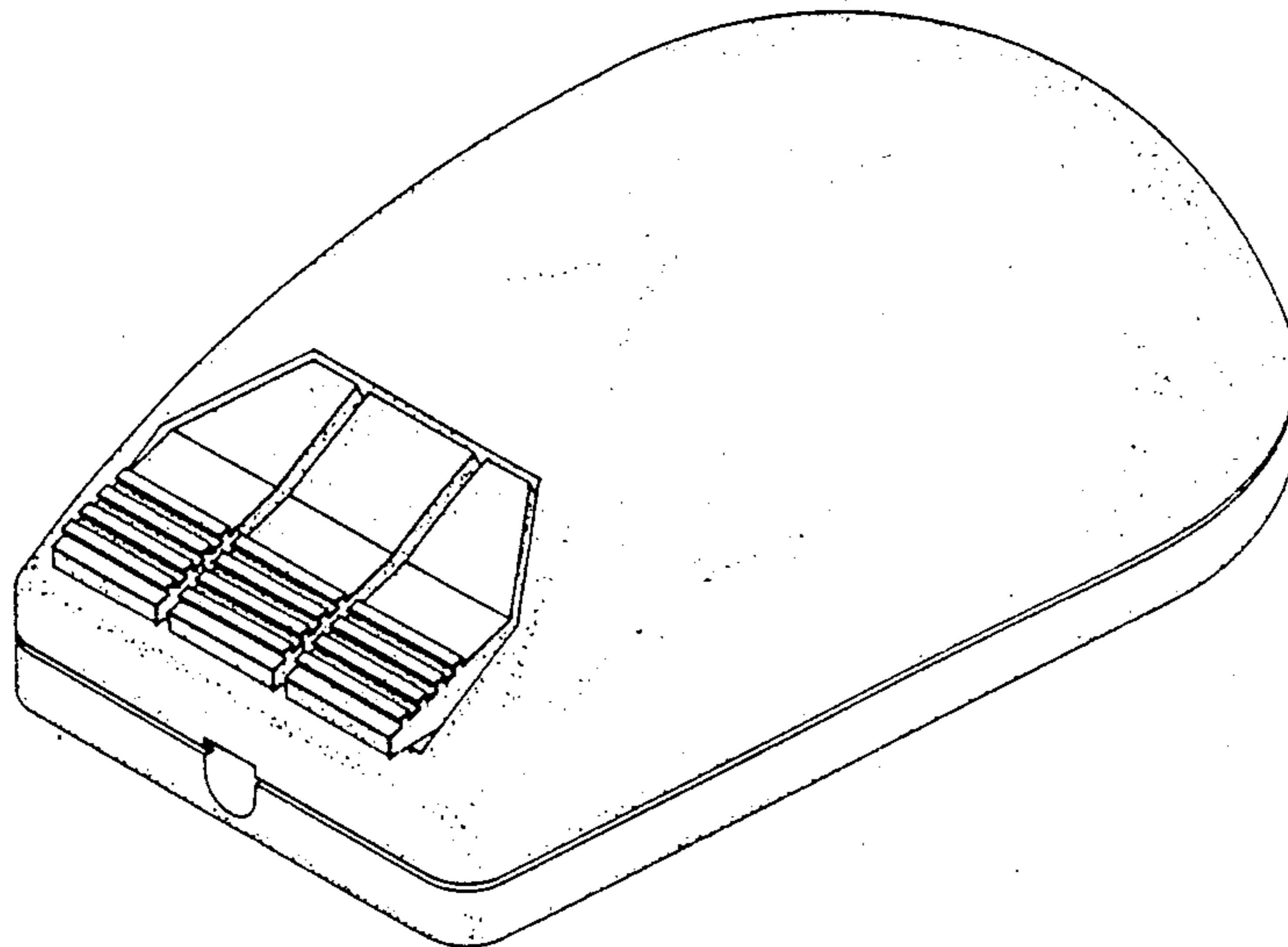


FIG. 1

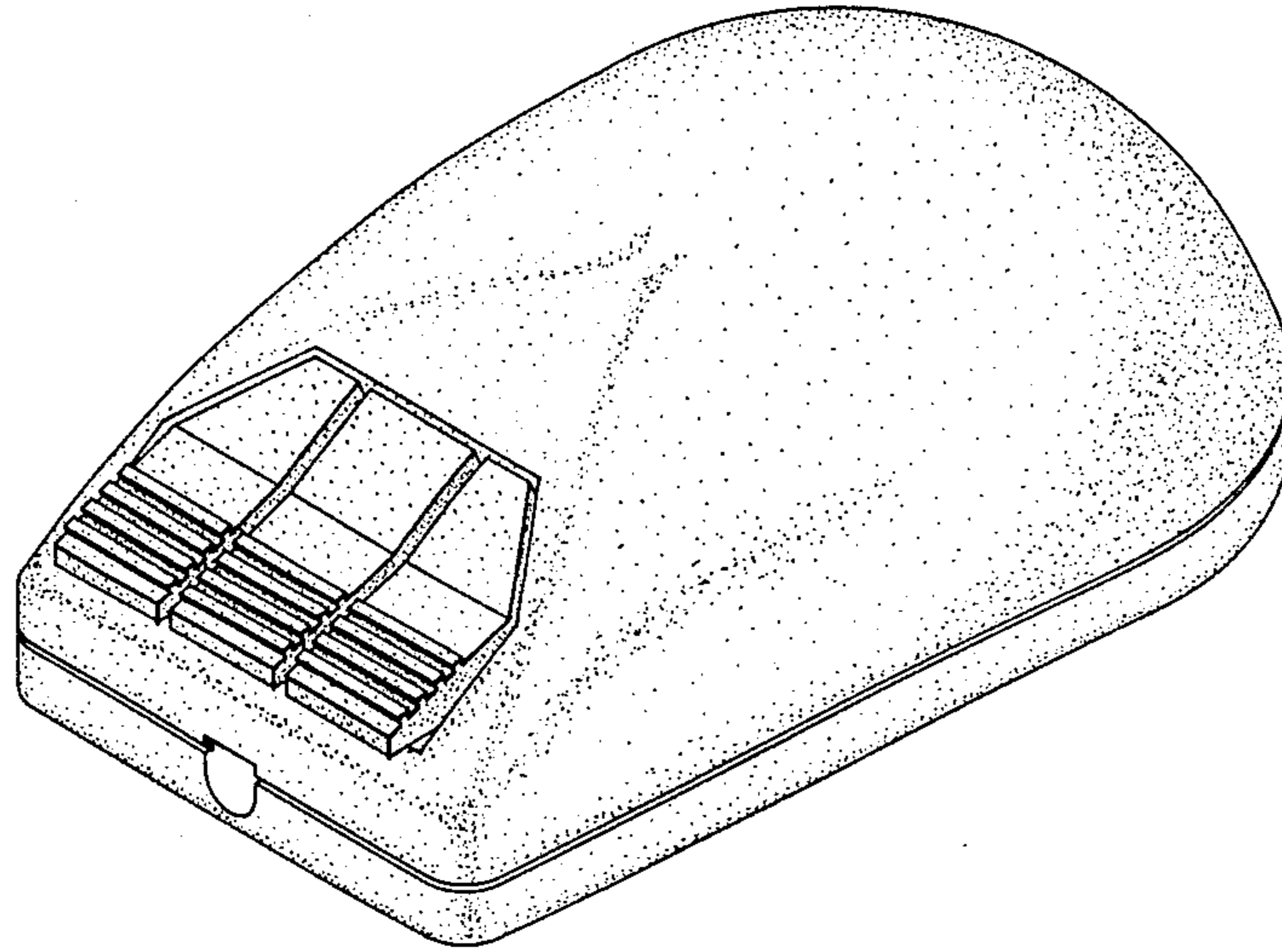


FIG. 2

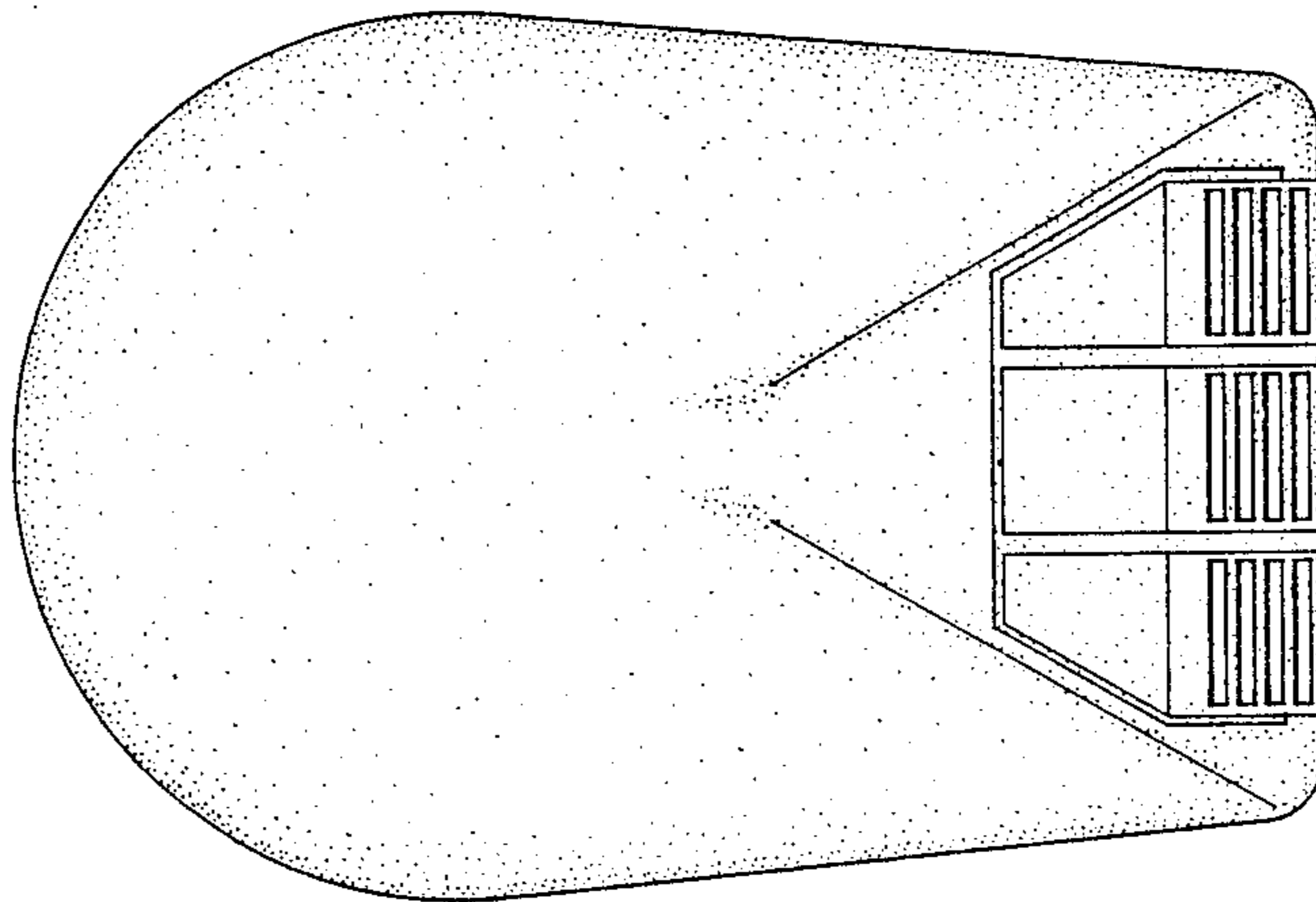


FIG. 3

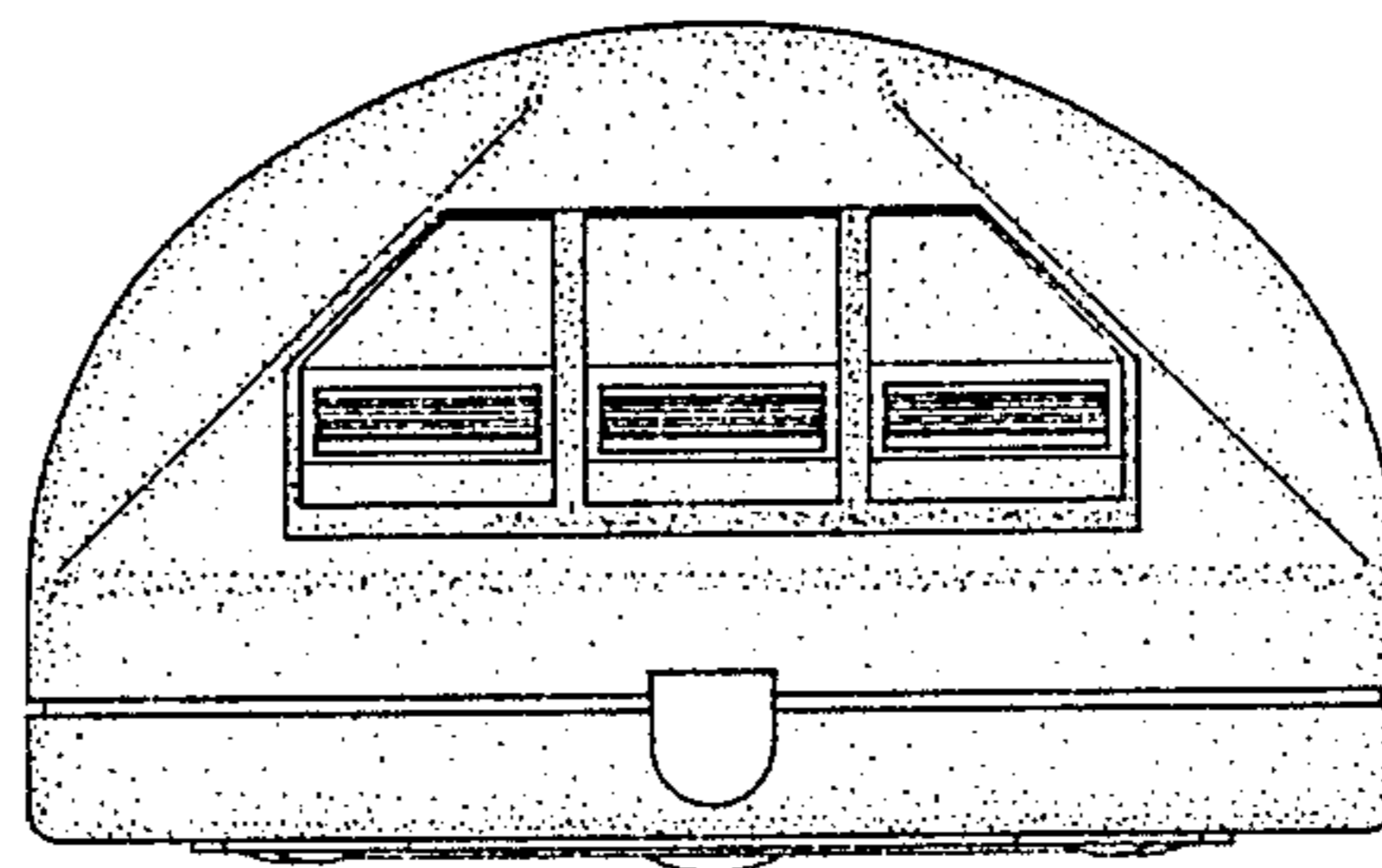


FIG. 4

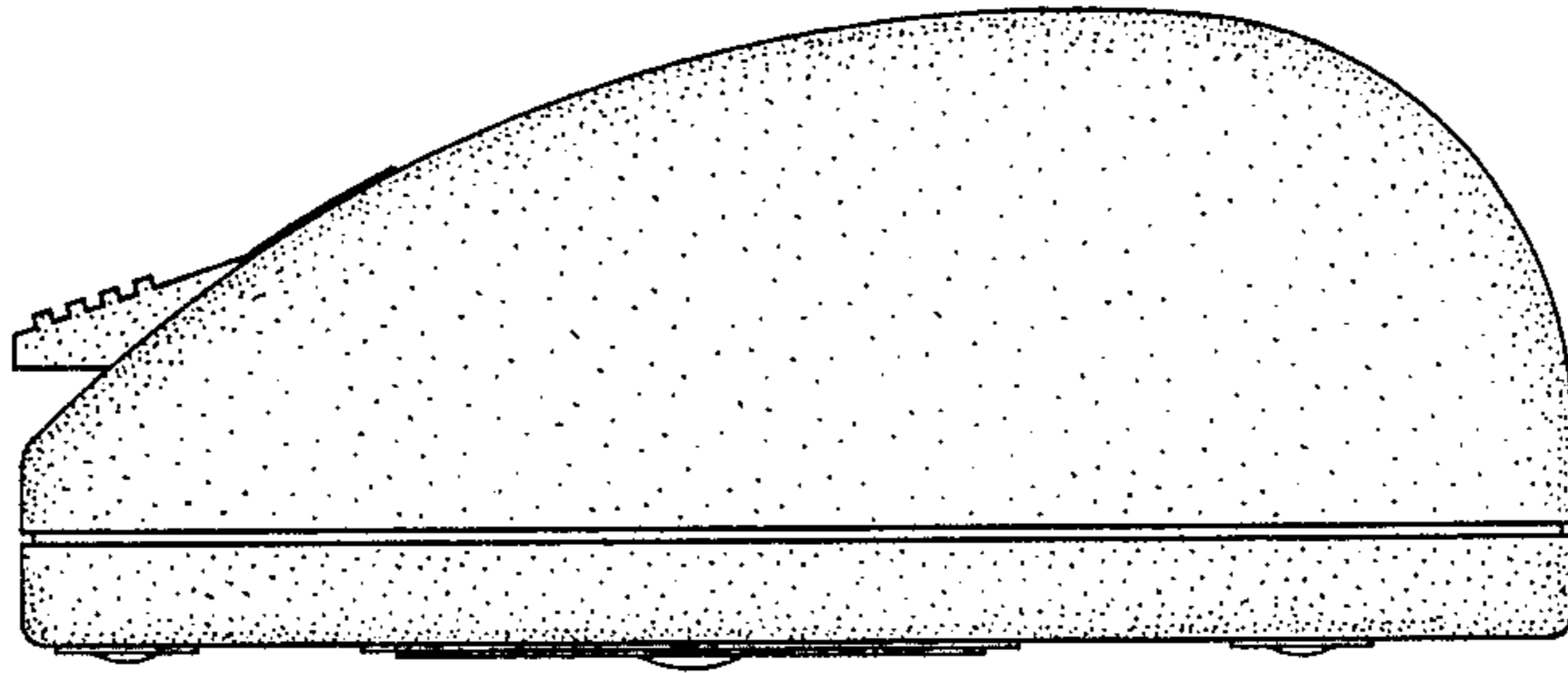


FIG. 5

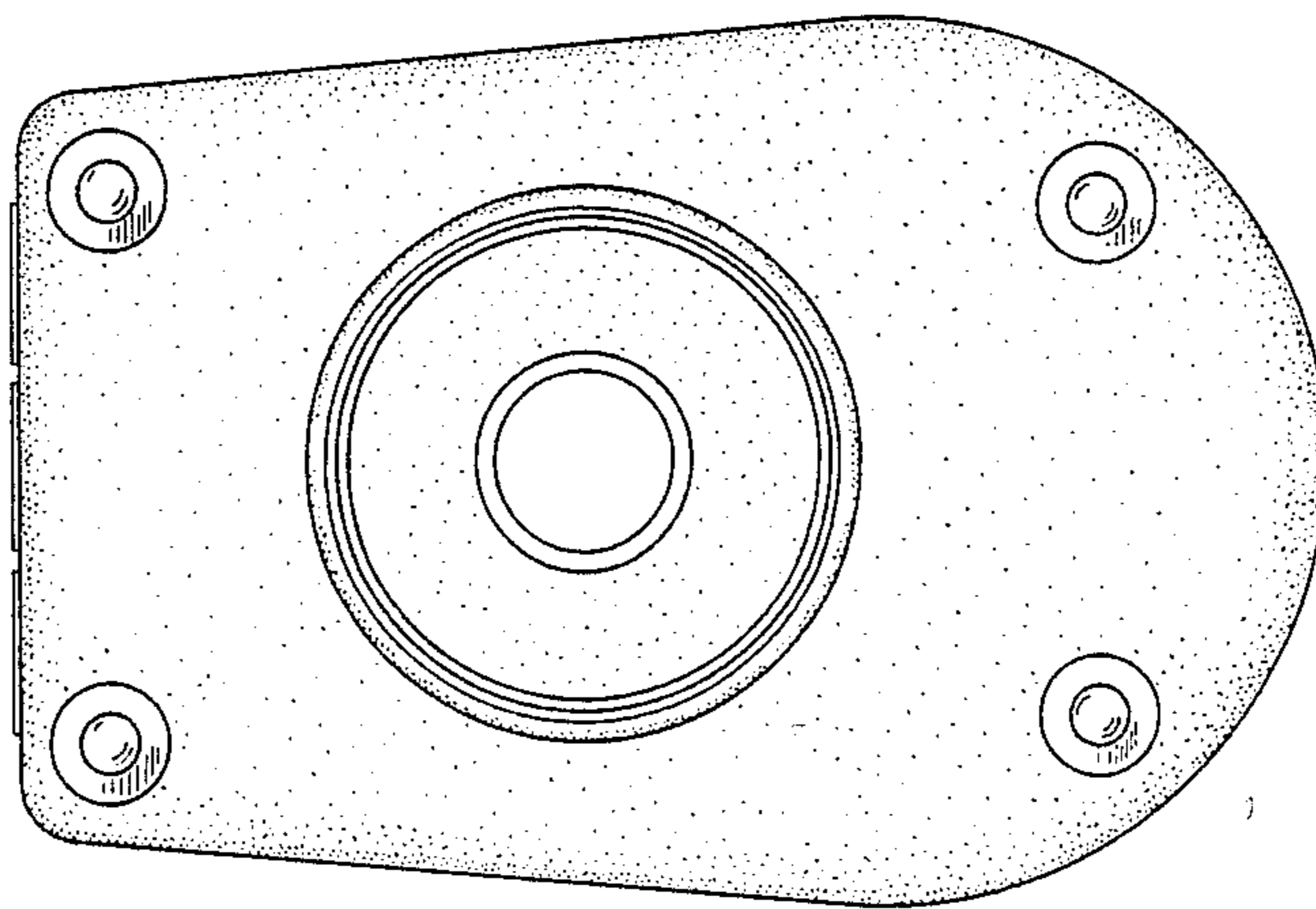


FIG. 6

