

[54] CREDIT CARD READER OR SIMILAR ARTICLE

[75] Inventors: Joseph F. Pulio, Jr., South Barrington; Bruce D. Hillier, Hoffman Estates, both of Ill.

[73] Assignee: Motorola, Inc., Schaumburg, Ill.

[**] Term: 14 Years

[21] Appl. No.: 43,134

[22] Filed: Apr. 27, 1987

[52] U.S. Cl. D14/105; D14/146

[58] Field of Search D14/100, 105, 107, 114, D14/116, 146; 235/454, 462, 470, 472, 471, 473, 475, 479, 380, 482; 250/203 R, 566, 568, 569, 239; 358/408, 473, 474, 497; 354/80, 81, 82; 355/231, 233

[56] References Cited

U.S. PATENT DOCUMENTS

D. 290,124	6/1987	Wilson et al.	D14/105
D. 291,563	8/1987	Perry	D14/146
D. 292,206	10/1987	Watanabe	D14/146
3,513,299	5/1970	Loose	D14/105 X
3,651,310	3/1972	Link	235/380
4,587,379	5/1986	Masuda	D14/146 X
4,672,661	6/1987	Clark, Jr. et al.	235/482 X

4,742,213 5/1988 Conant 235/482 X

OTHER PUBLICATIONS

MAGTEK, Sep. 11, 1986, p. 2, Reader MT-211, Computer Box, "Scanner".

Primary Examiner—Susan J. Lucas

Assistant Examiner—Freda S. Nunn

Attorney, Agent, or Firm—Rolland R. Hackbart

[57] CLAIM

The ornamental design for a credit card reader or similar article, as shown and described.

DESCRIPTION

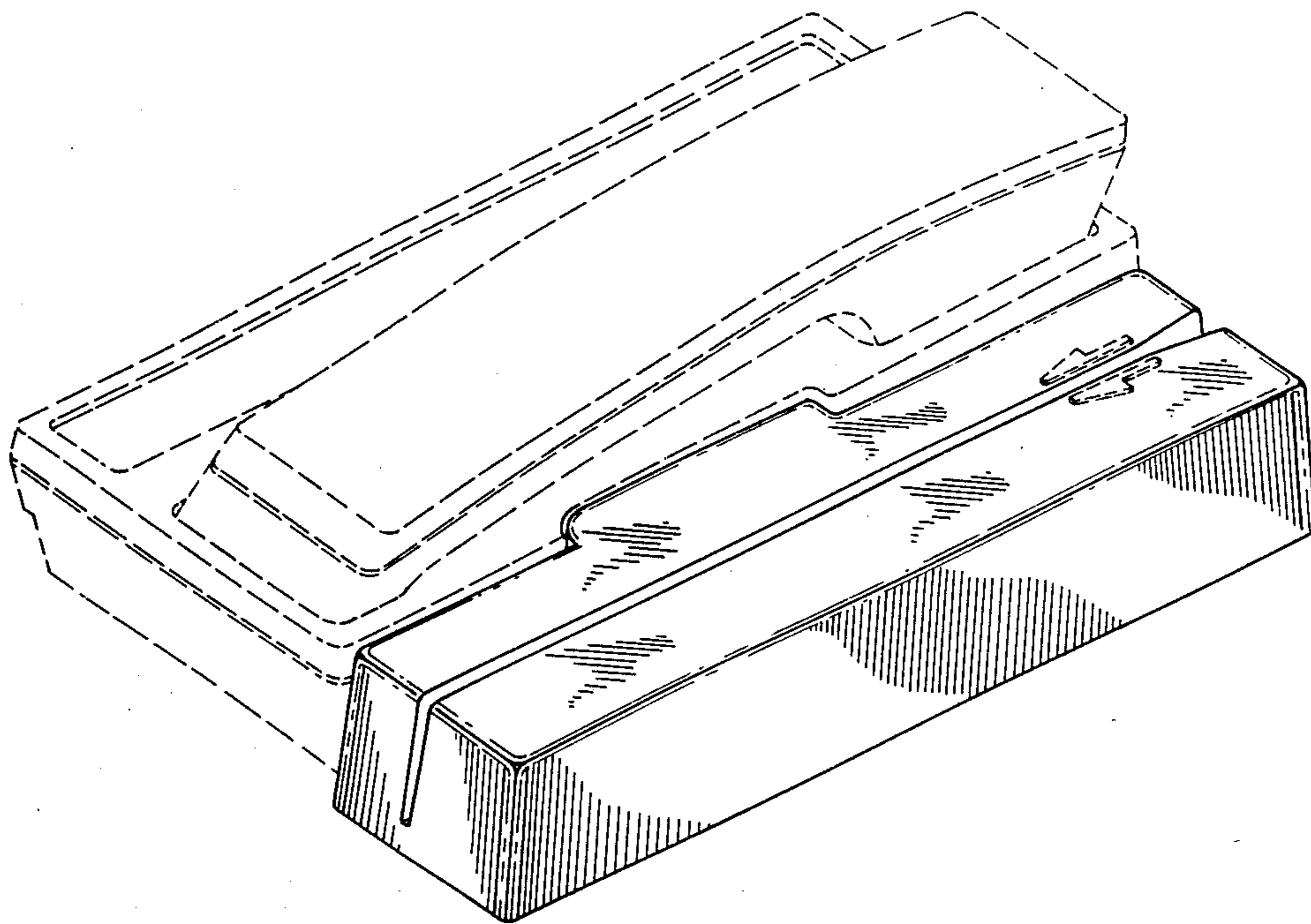
FIG. 1 is a top, front, right side perspective view of a credit card reader or similar article showing our new design;

FIG. 2 is a rear elevational view thereof on an enlarged scale;

FIG. 3 is a left side elevational view thereof on an enlarged scale;

FIG. 4 is a bottom plan view thereof on an enlarged scale.

The telephone handset, the telephone cradle and the arrows are shown in broken lines for illustrative purposes only and thus forming no part of the claimed design.



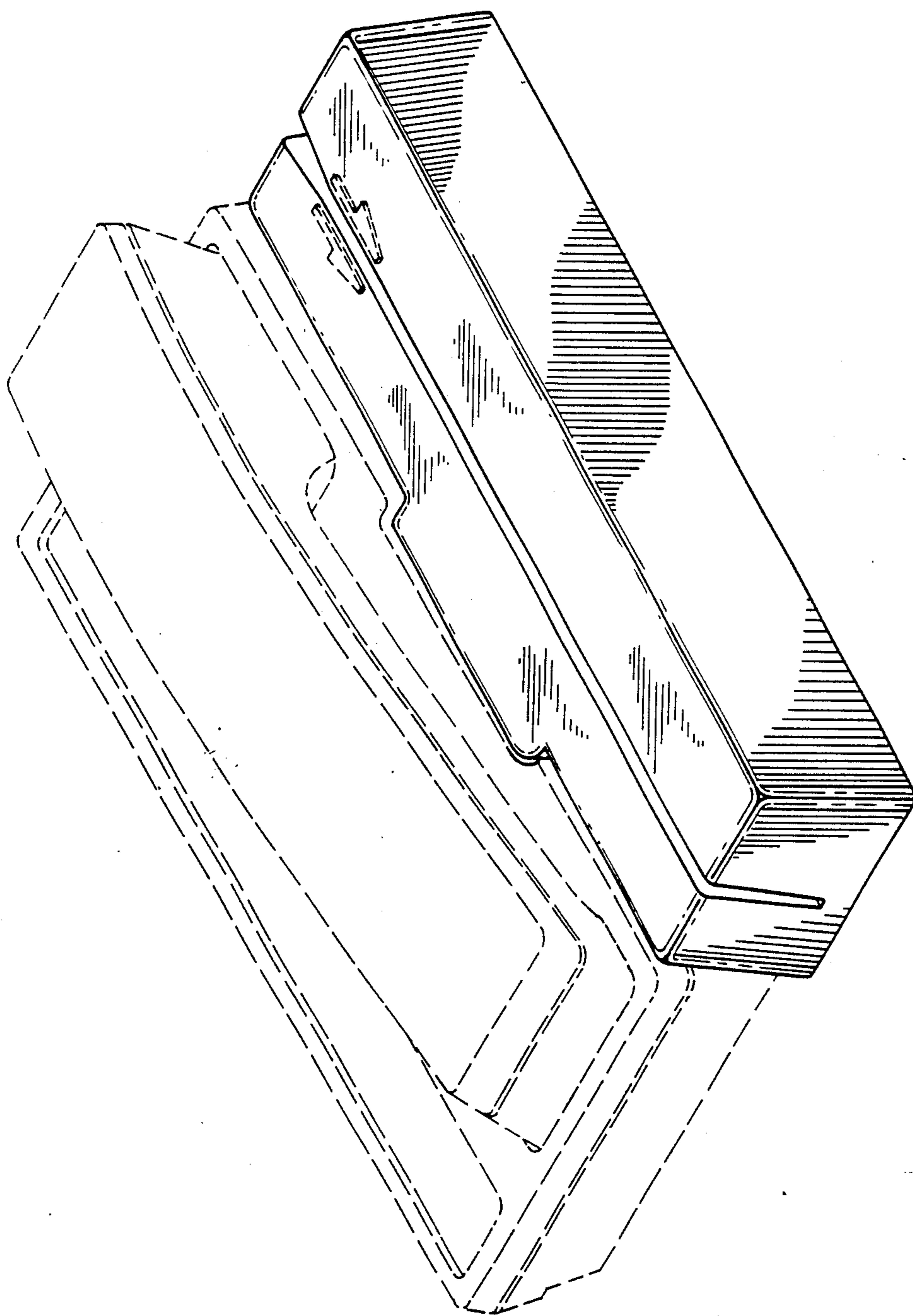


FIG. 1

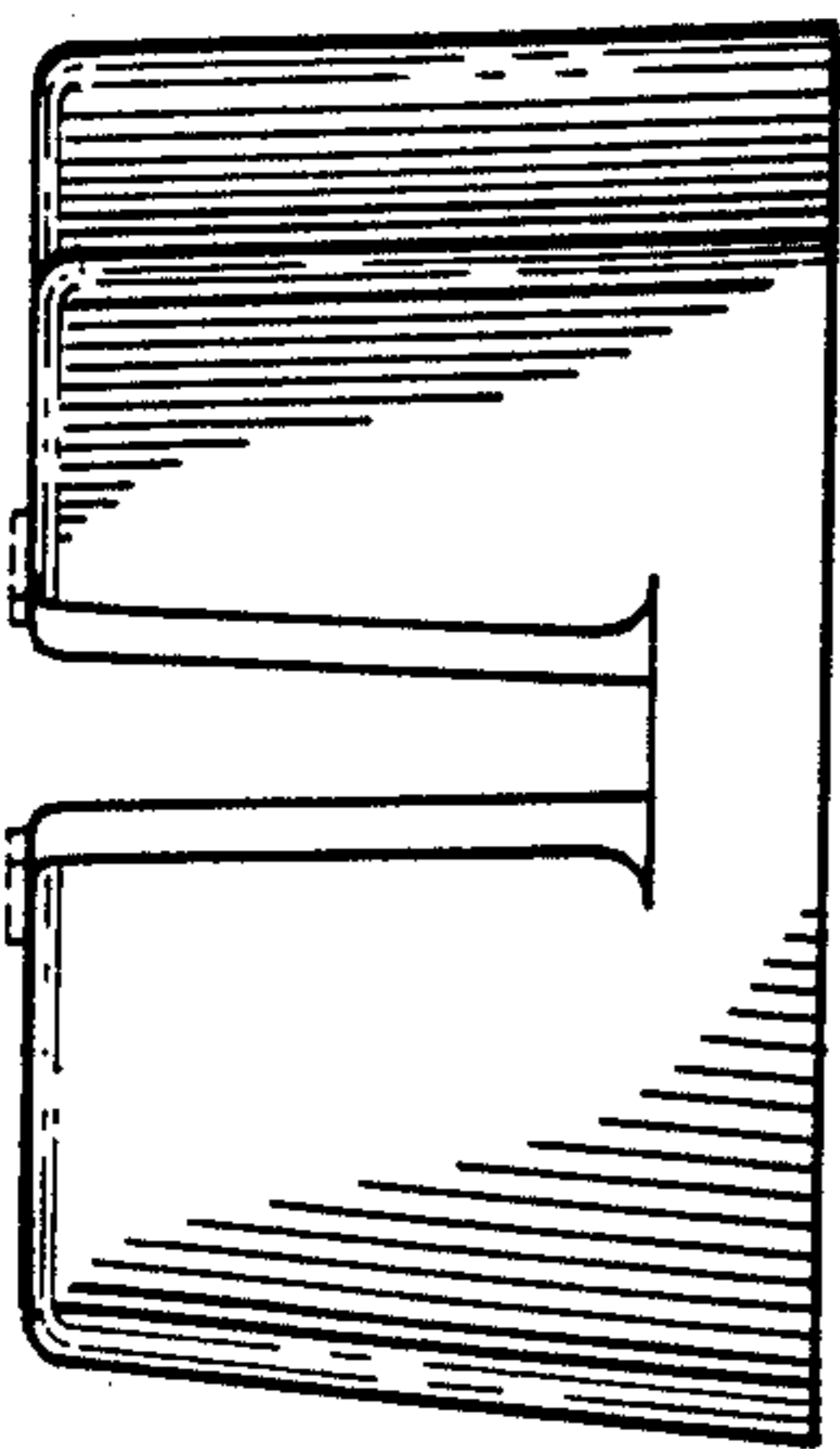


FIG. 2

FIG. 3

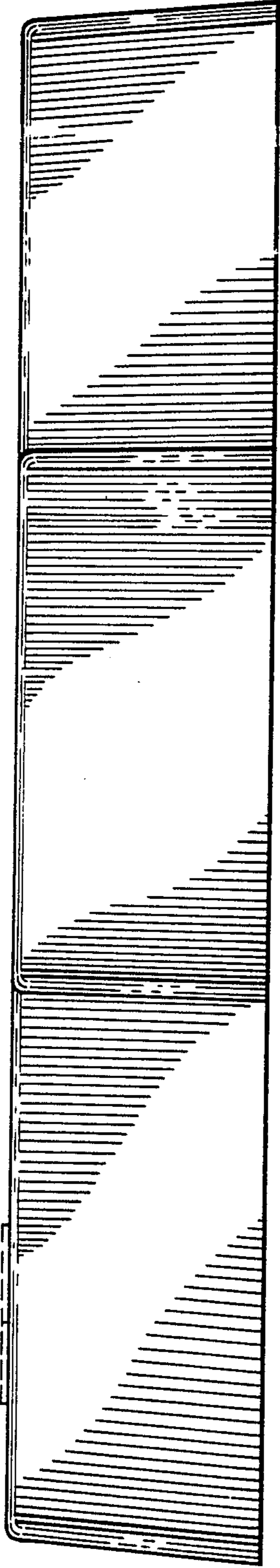


FIG. 4

