

[54] **ELECTRICAL OUTLET**

[75] **Inventors: Klaus Oosterheld, Middletown, N.J.;
James J. Richter, Queens, N.Y.**

[73] **Assignee: North American Philips Corporation,
New York, N.Y.**

[**] **Term: 14 Years**

[21] **Appl. No.: 65,208**

[22] **Filed: Jun. 22, 1987**

[52] **U.S. Cl. D13/30**

[58] **Field of Search D13/24, 27-30,
D13/11; 439/534, 535, 536, 577, 622, 650, 652,
653; 337/187, 188, 198**

[56] **References Cited**

U.S. PATENT DOCUMENTS

D. 64,594 5/1924 Hubbell D13/29

D. 280,813 10/1985 Rapp D13/28
D. 285,788 9/1986 Rapp D13/30
3,049,688 8/1962 Sinopoli 439/650 X
4,705,342 11/1987 Schwartz 439/650

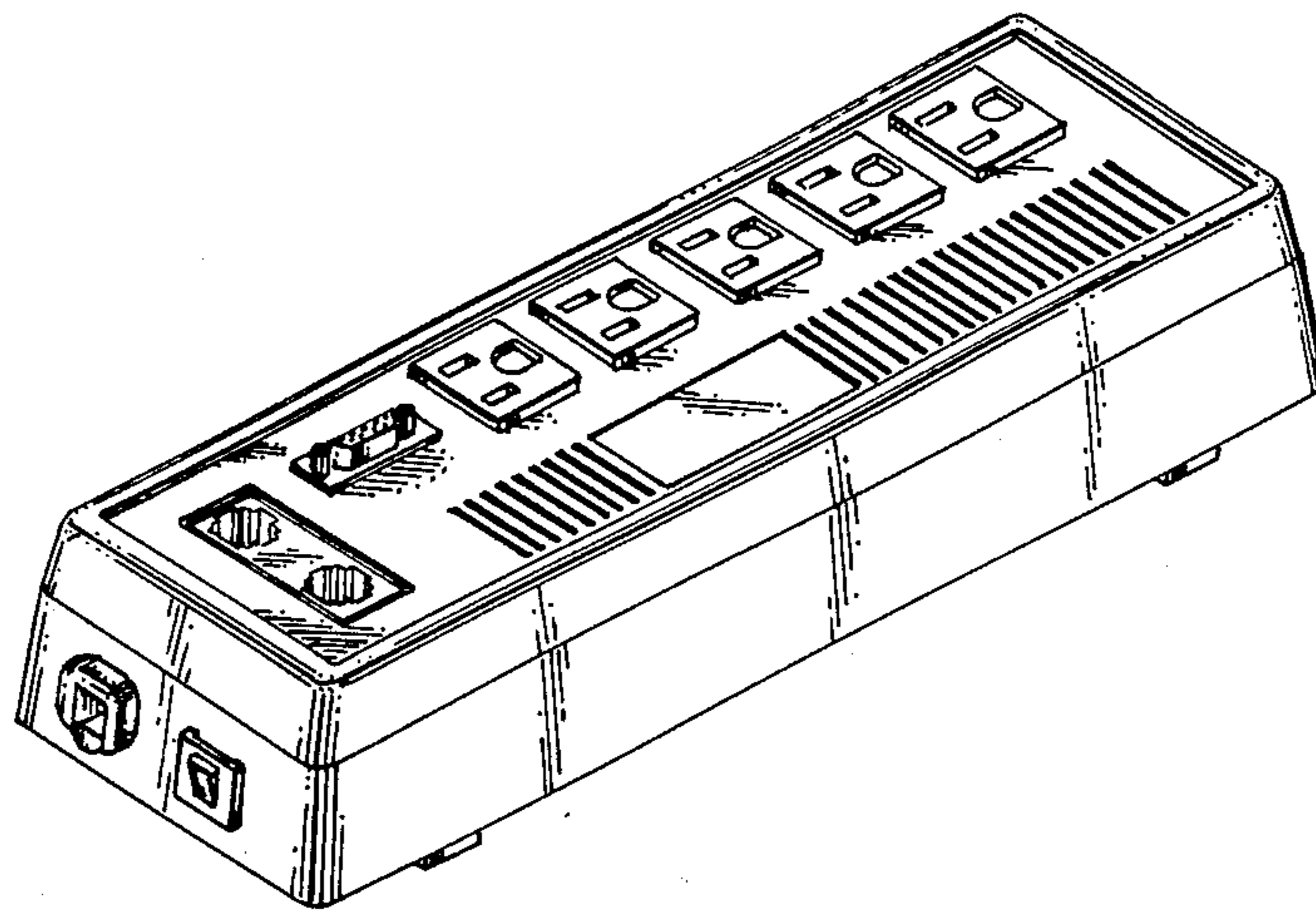
Primary Examiner—Susan J. Lucas
Attorney, Agent, or Firm—Robert J. Kraus

[57] **CLAIM**

The ornamental design for an electrical outlet, as shown and described.

DESCRIPTION

FIG. 1 is a top front and right-side perspective view of an electrical outlet showing our new design;
FIG. 2 is a top plan view thereof;
FIG. 3 is a right-side elevational view thereof;
FIG. 4 is a front elevational view thereof;
FIG. 5 is a left-side elevational view thereof;
FIG. 6 is a rear elevational view thereof; and
FIG. 7 is a bottom plan view thereof.



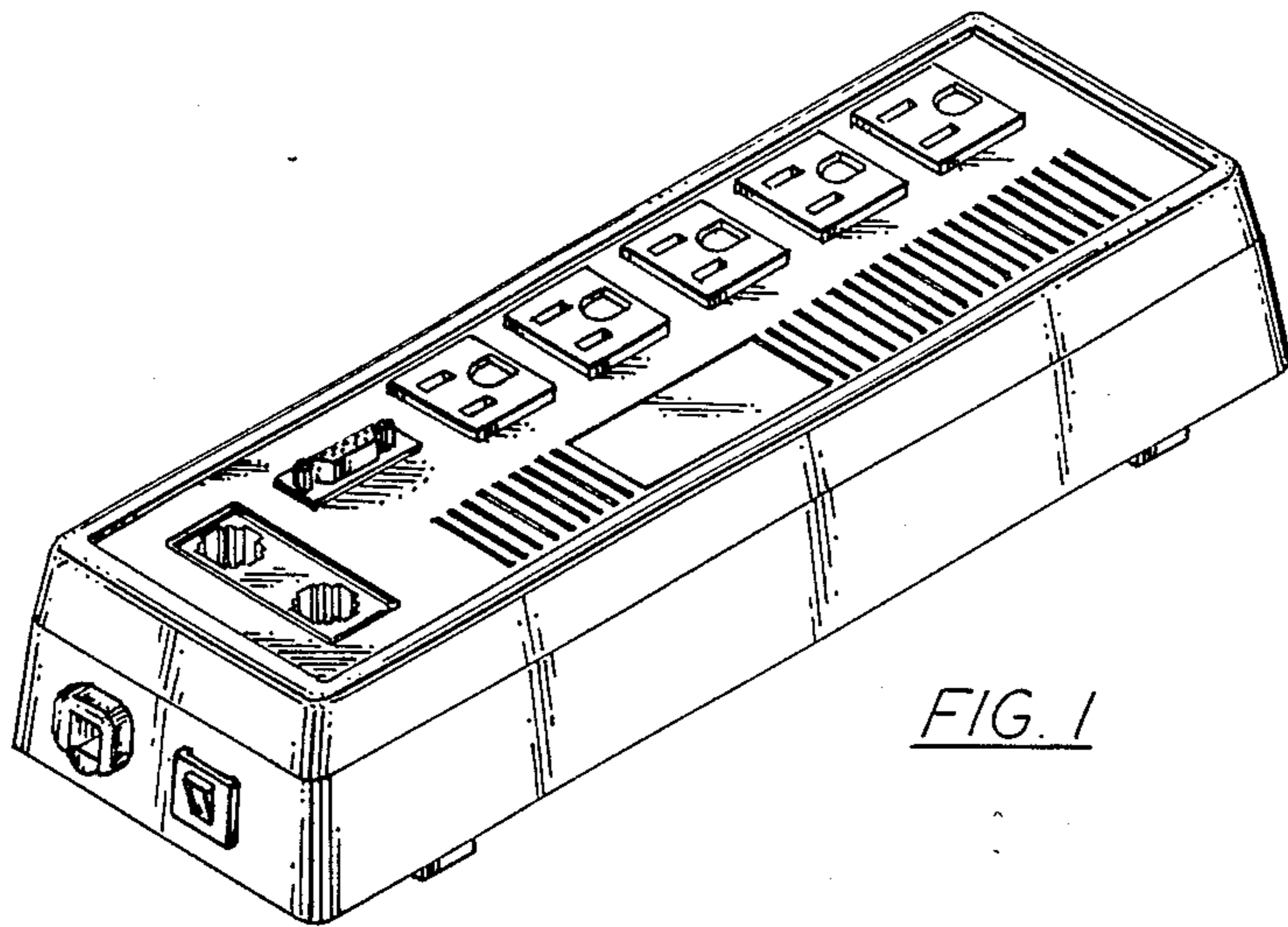


FIG. 1

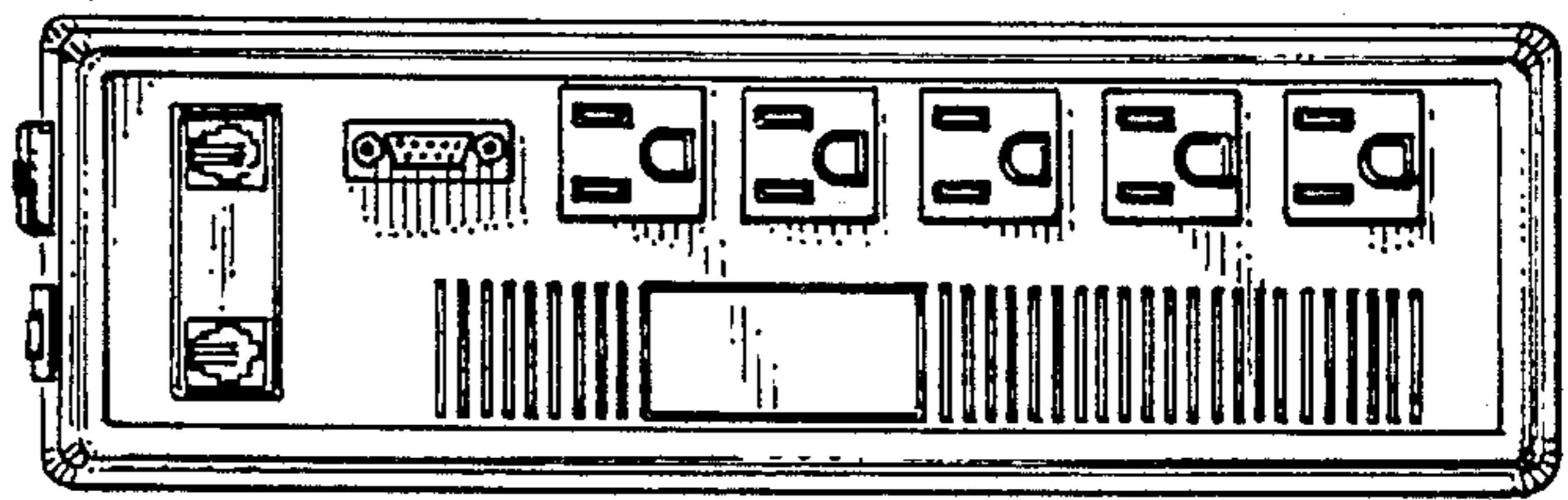


FIG. 2

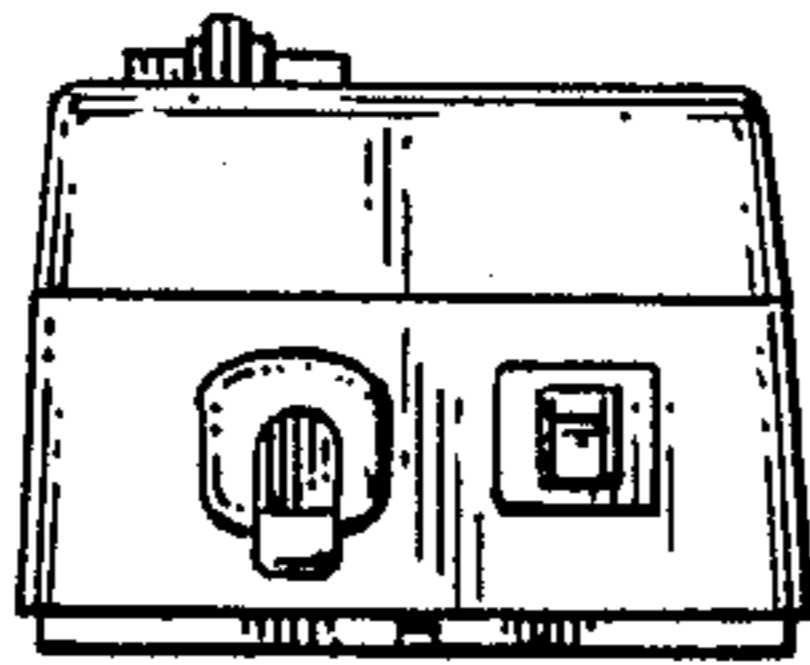


FIG. 4

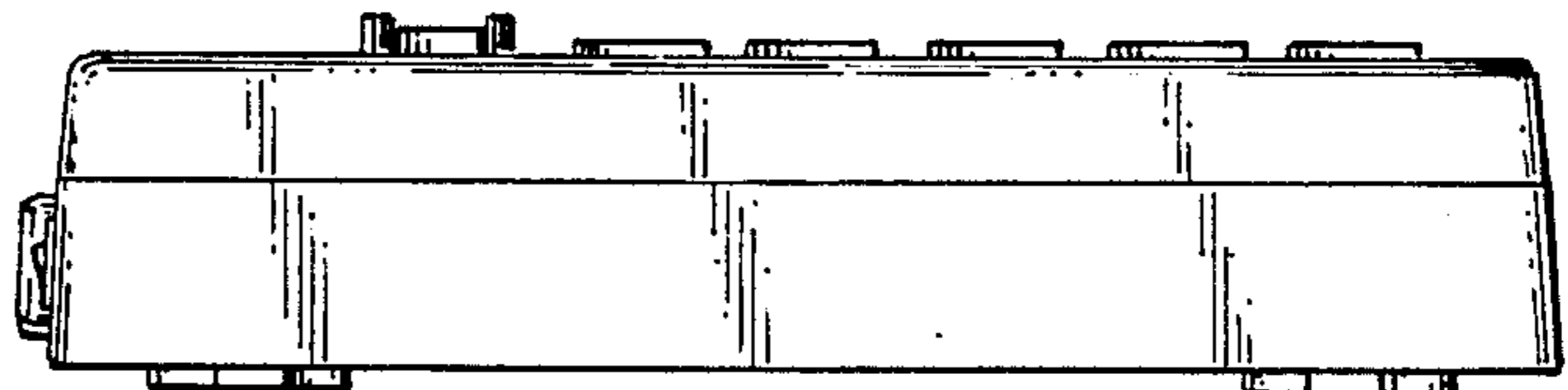


FIG. 3

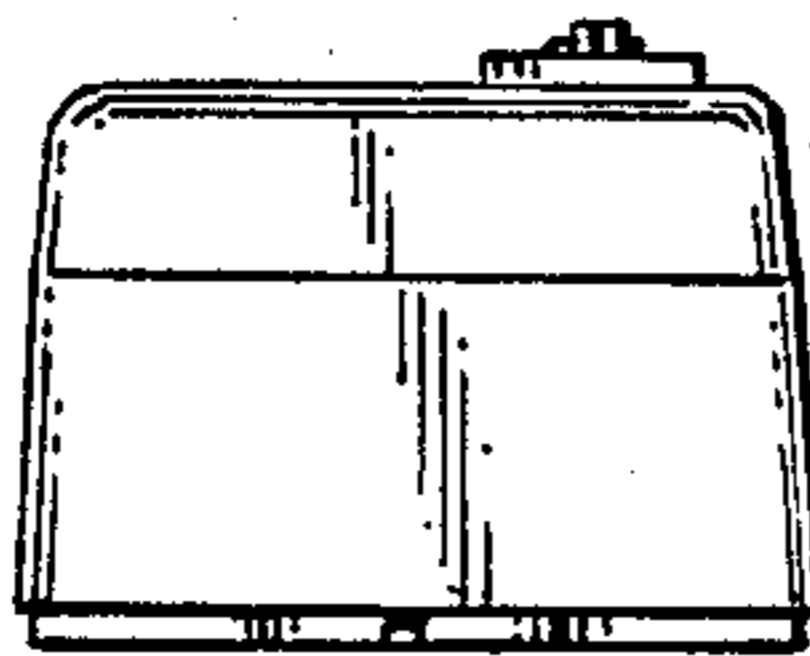


FIG. 6

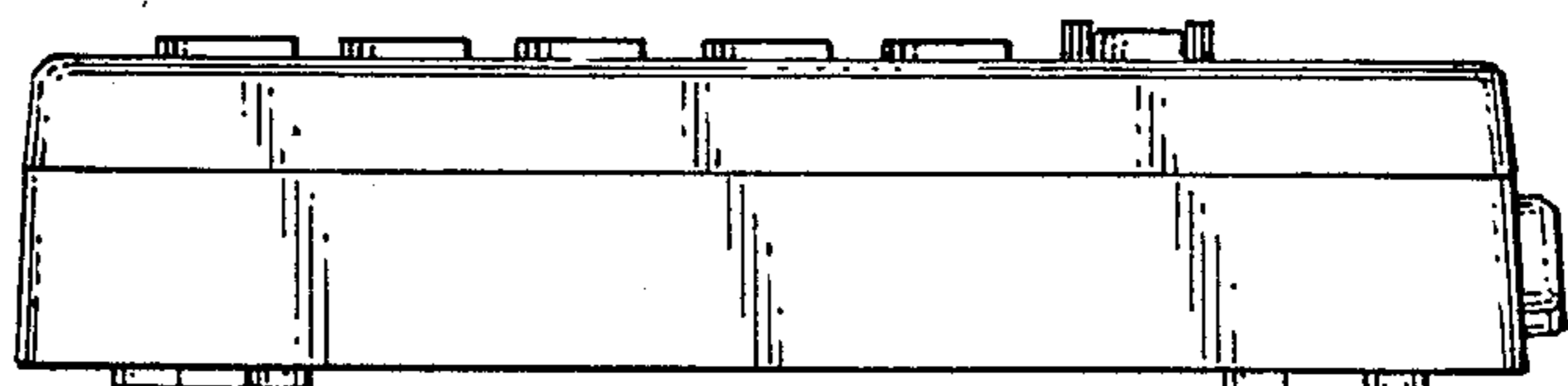


FIG. 5

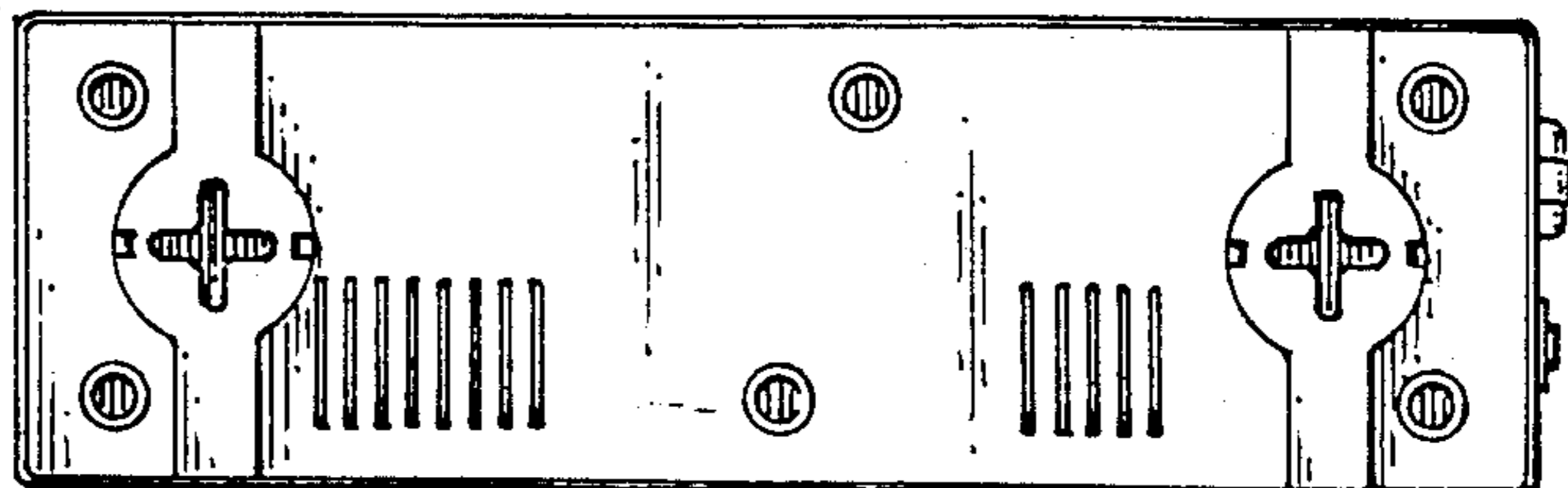


FIG. 7