

[54] ELECTRIC MOTOR HOUSING

[75] Inventors: S. Stanley Mintz, Monrovia; Tsu-Hsun Ku, Rosemead, both of Calif.; Edward T. Liljenwall, Everett, Wash.

[73] Assignee: Servo Products Company, Pasadena, Calif.

[\*\*] Term: 14 Years

[21] Appl. No.: 283,754

[22] Filed: Dec. 12, 1988

[52] U.S. Cl. .... D13/1

[58] Field of Search ..... D13/1, 2, 3; 310/89, 310/113, 67 R, 47, 50

[56] References Cited

U.S. PATENT DOCUMENTS

- D. 160,413 10/1950 Monroe ..... D13/1
- D. 183,770 10/1958 Schwartz ..... D13/1
- D. 236,005 7/1975 Baumann ..... D13/1

Primary Examiner—Susan J. Lucas  
Assistant Examiner—Joel Sincavage  
Attorney, Agent, or Firm—Skjerven, Morrill, MacPherson, Franklin & Friel

[57] CLAIM

The ornamental design for an electric motor housing, as shown and described.

DESCRIPTION

FIG. 1 is a perspective view of an electric motor housing taken from the mill end of the housing showing our new design;

FIG. 2 is a perspective view of the electric motor housing taken from an opposite end thereof;

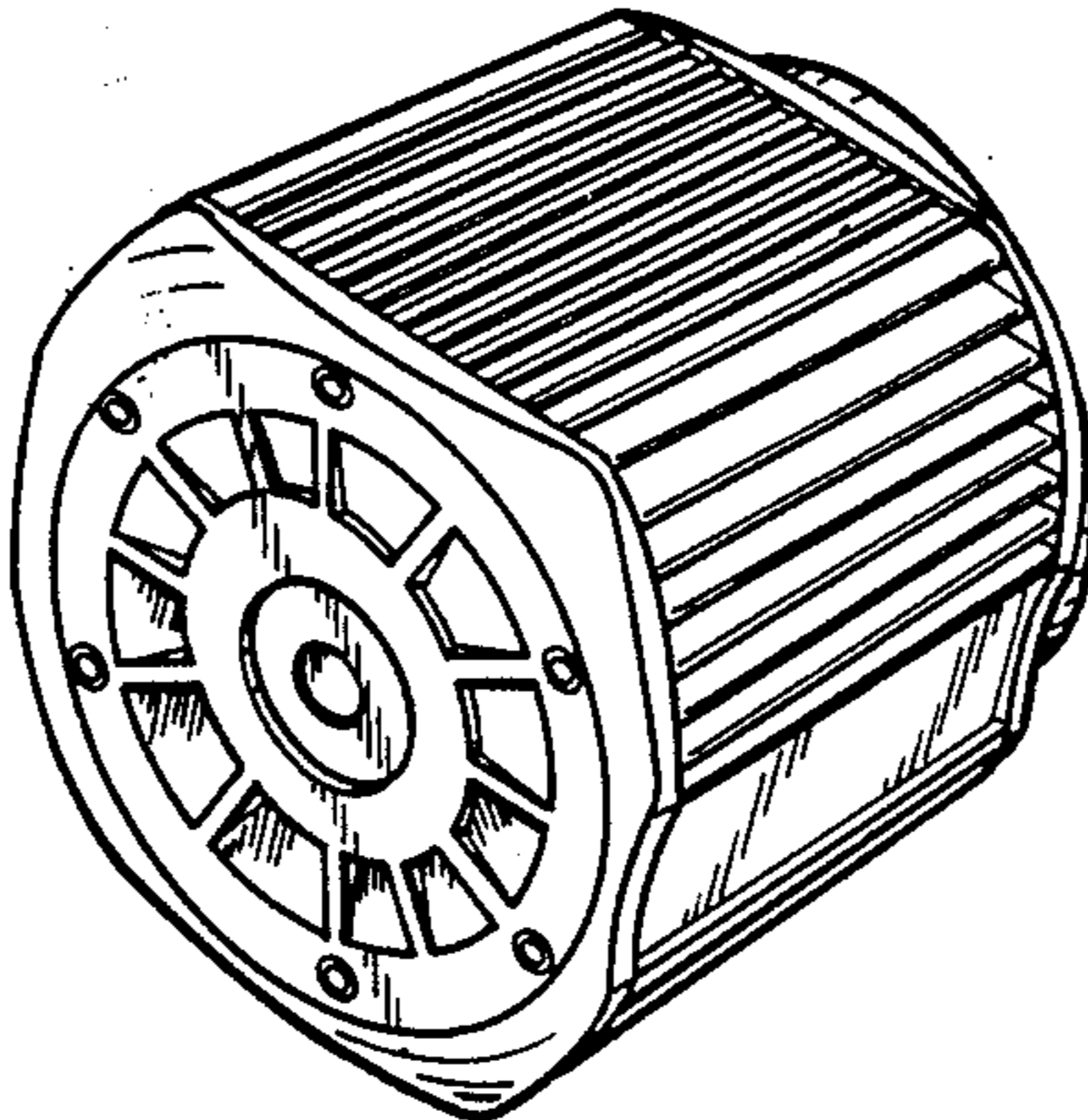
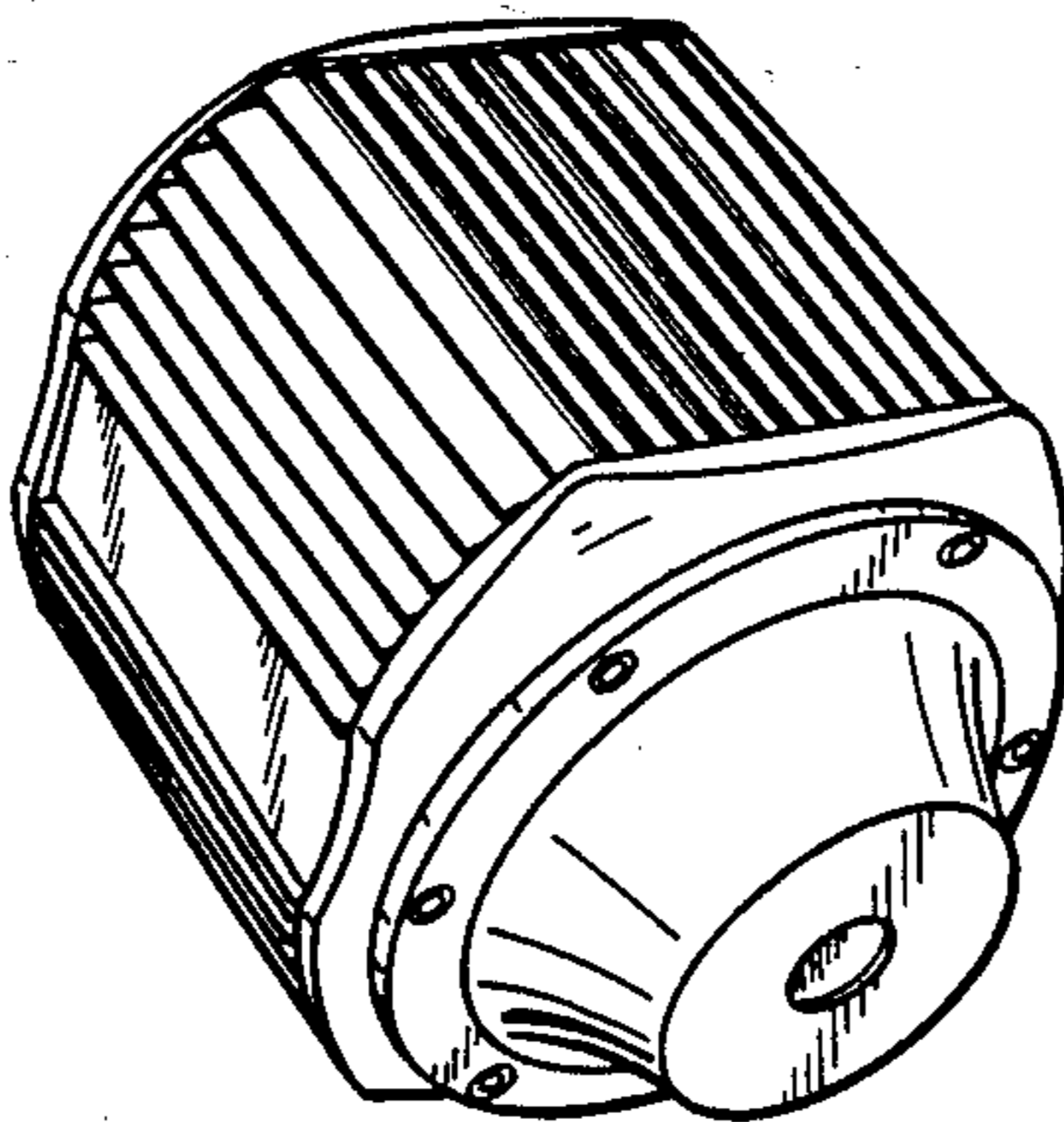
FIG. 3 is a side elevation view thereof, the opposite side elevation being a mirror image;

FIG. 4 is an end elevation view of the opposite end thereof;

FIG. 5 is a top plan view thereof;

FIG. 6 is an end elevation view of the mill end thereof; and

FIG. 7 is a bottom plan view thereof.



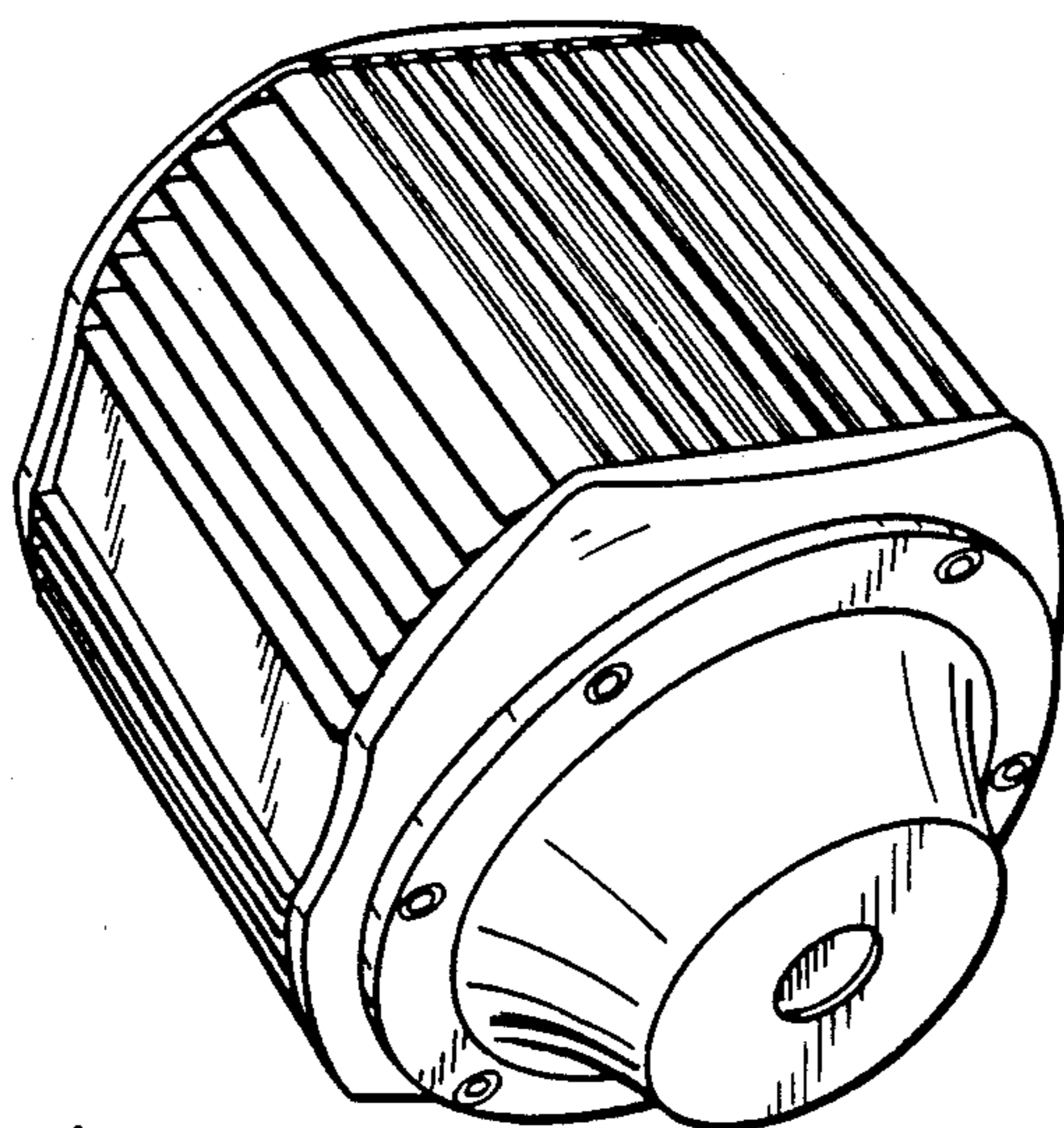


FIG. 1.

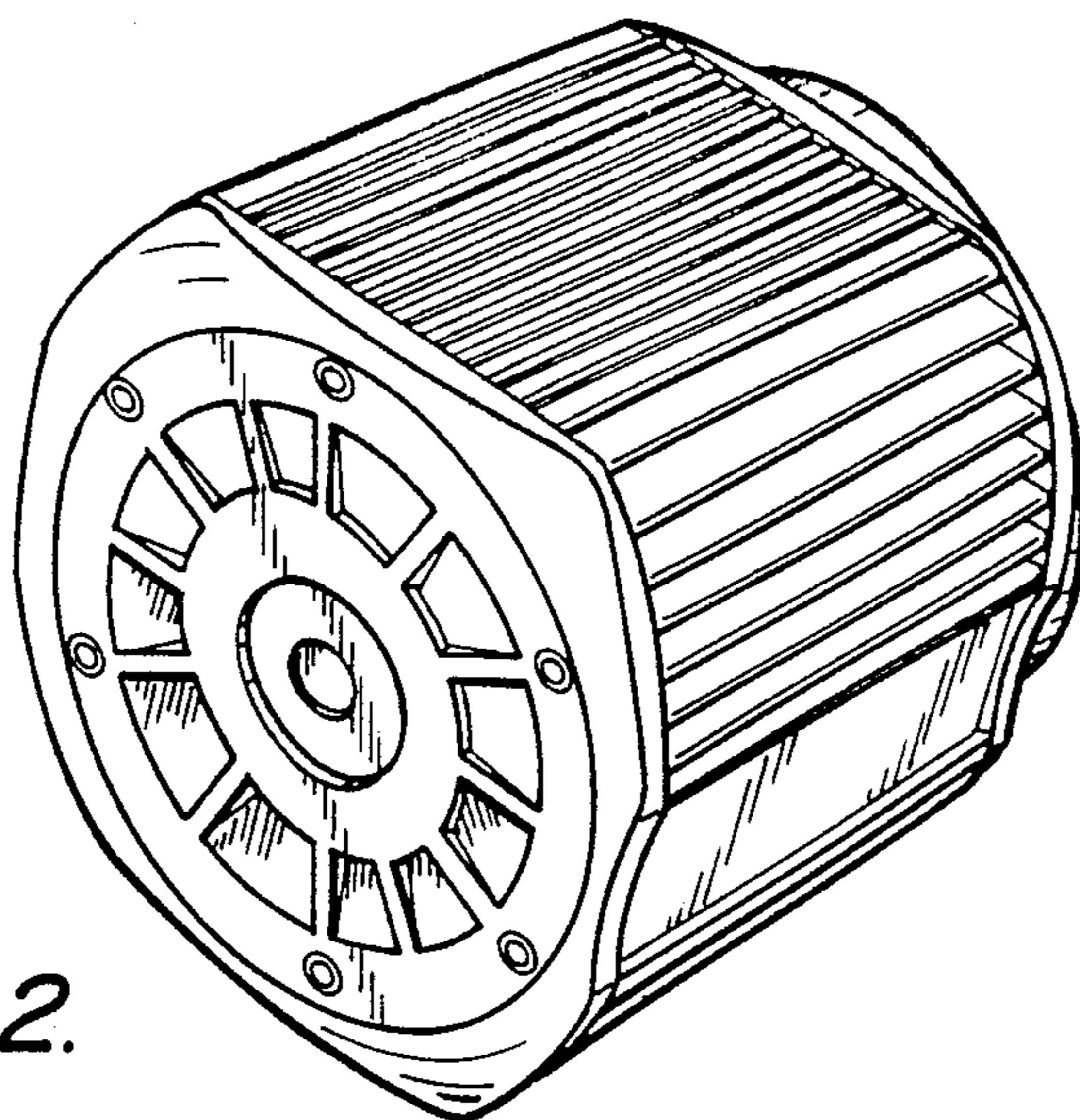


FIG. 2.

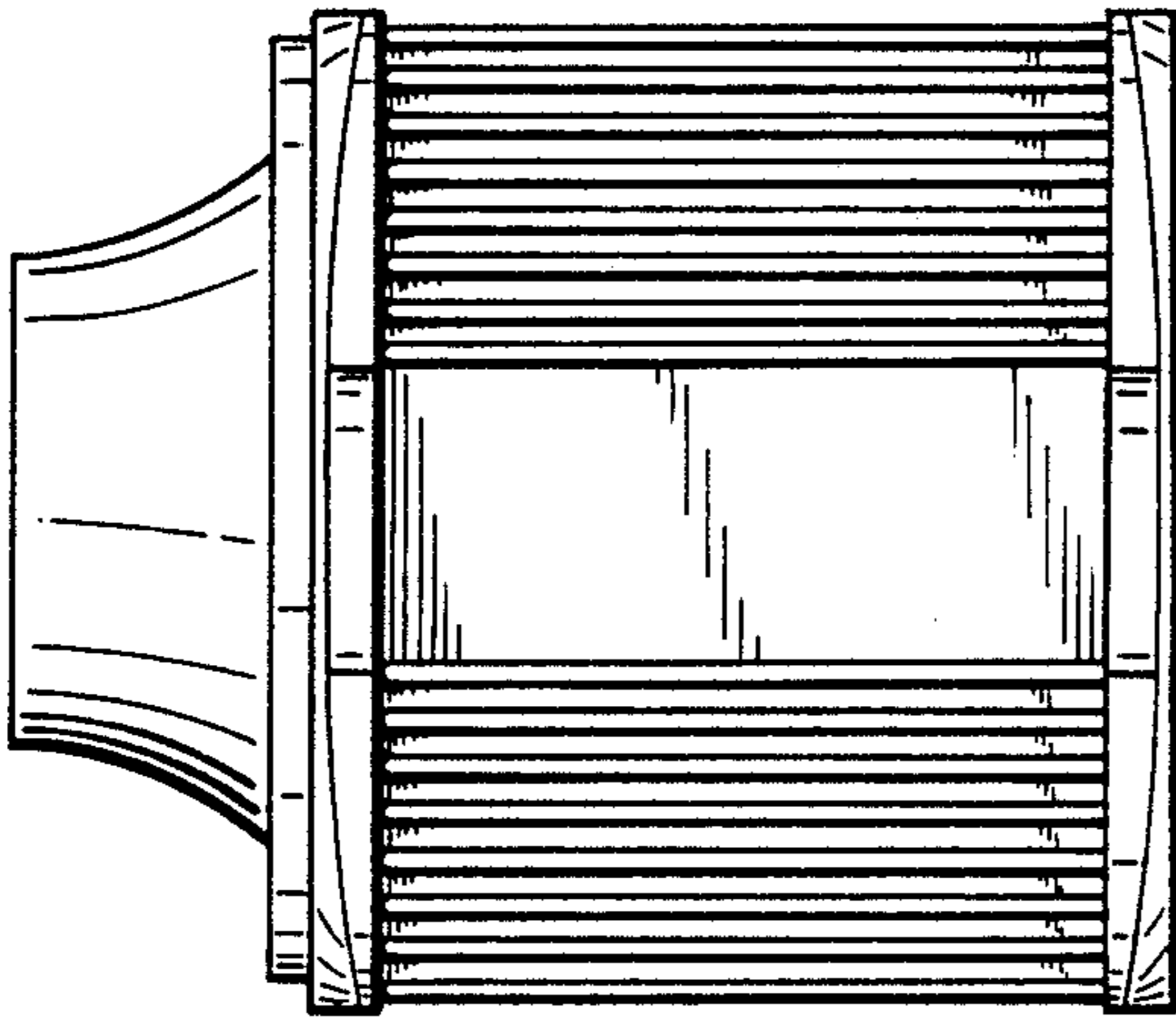


FIG. 3.

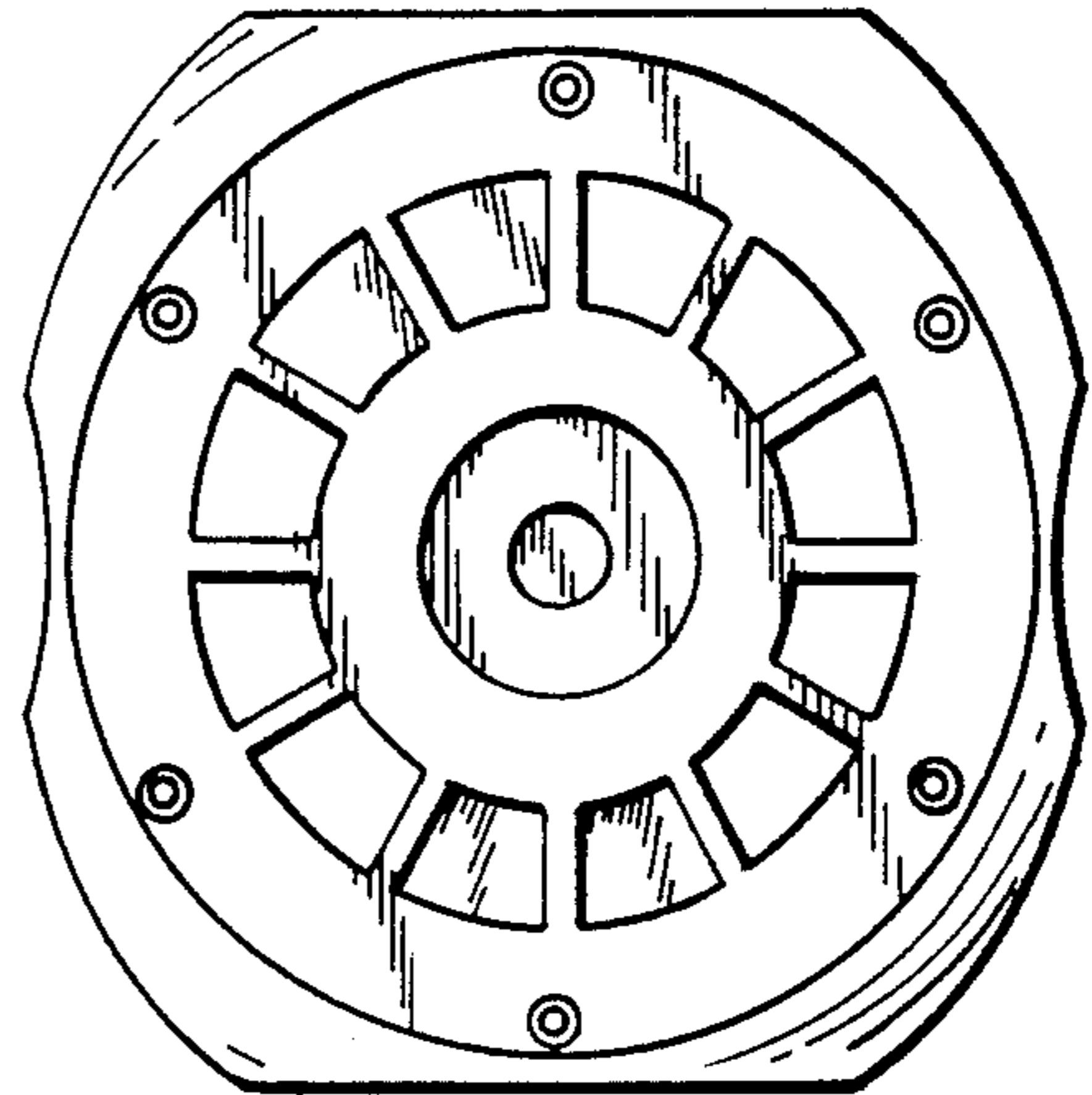


FIG. 4.

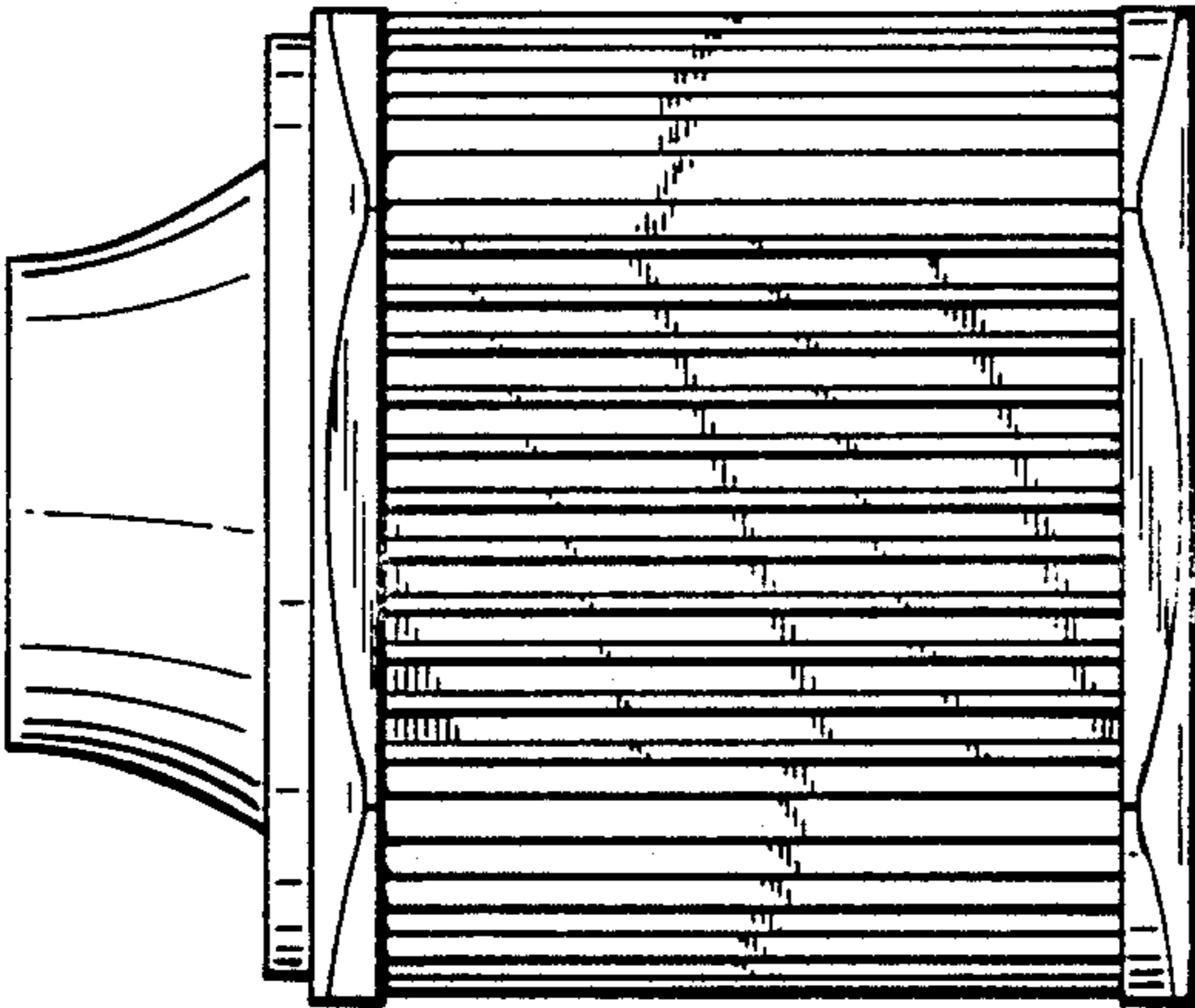


FIG. 5.

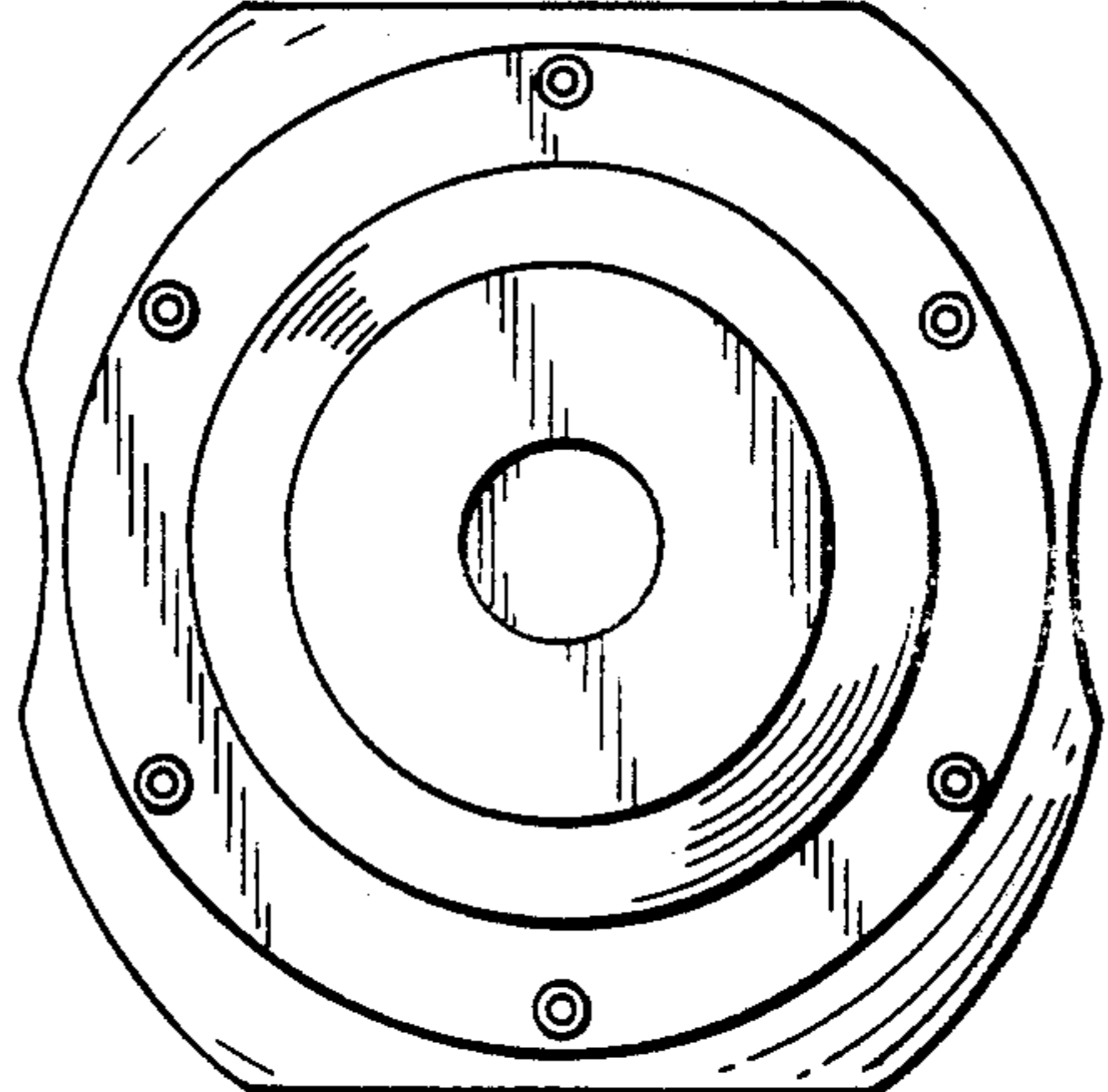


FIG. 6.

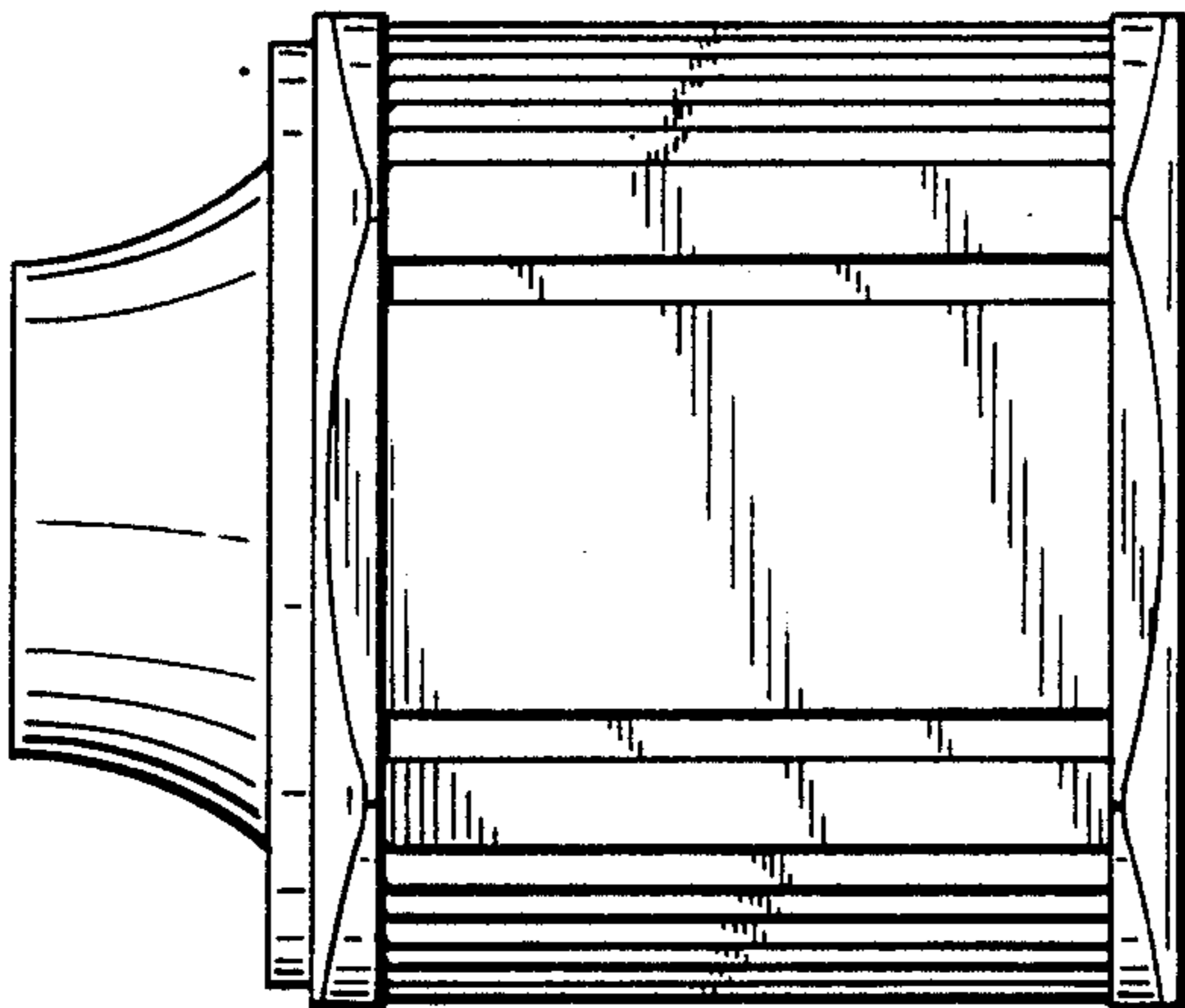


FIG. 7.