

[54] **AMPHIBIOUS FLYING MACHINE**

[76] **Inventor: Alton Hudnall, 1720 Lexington Pl., Bedford, Tex. 76021**

[**] **Term: 14 Years**

[21] **Appl. No.: 34,563**

[22] **Filed: Apr. 6, 1987**

[52] **U.S. Cl. D12/324; D12/325**

[58] **Field of Search D12/319, 325, 324; 244/64, 23 C**

[56] **References Cited**

U.S. PATENT DOCUMENTS

D. 256,445	8/1980	Hudnall	D12/3
2,966,318	12/1960	Chodan	D12/325
4,049,218	9/1977	Wen	244/23 C
4,386,748	6/1983	Jordan	244/23 C
4,757,962	7/1988	Grant	D12/324

FOREIGN PATENT DOCUMENTS

230204 10/1961 Austria 244/23 C

Primary Examiner—James M. Gandy

Assistant Examiner—Kay H. Chin

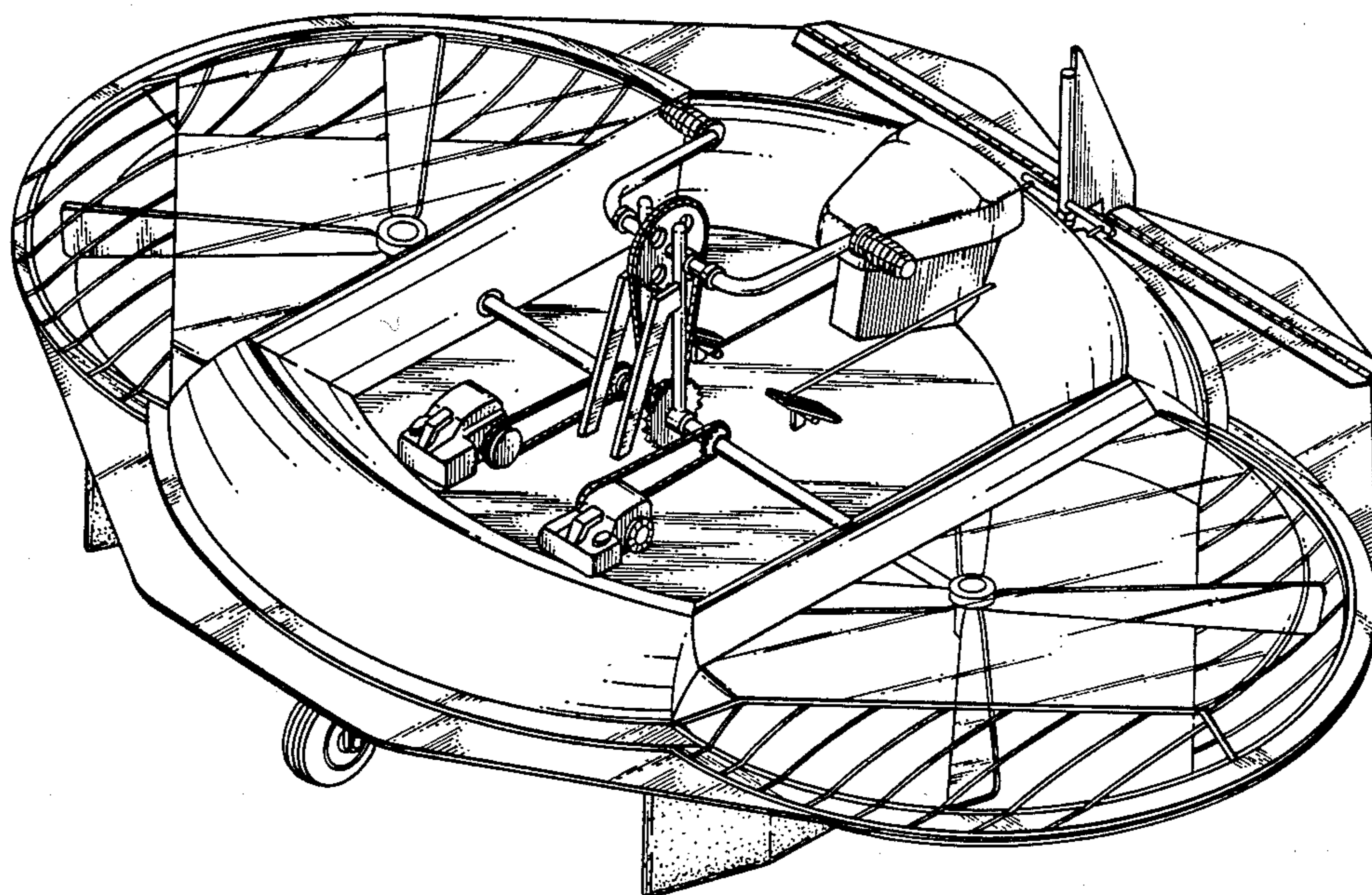
Attorney, Agent, or Firm—Charles D. Gunter, Jr.

[57] **CLAIM**

The ornamental design for an amphibious flying machine, as shown and described.

DESCRIPTION

FIG. 1 is a front elevational view of an amphibious flying machine showing my new design; FIG. 2 is a side elevational view thereof; FIG. 3 is a rear elevational view thereof; FIG. 4 is a top plan view thereof; FIG. 5 is a bottom plan view thereof; FIG. 6 is a top perspective view thereof; FIG. 7 is a bottom perspective view thereof.



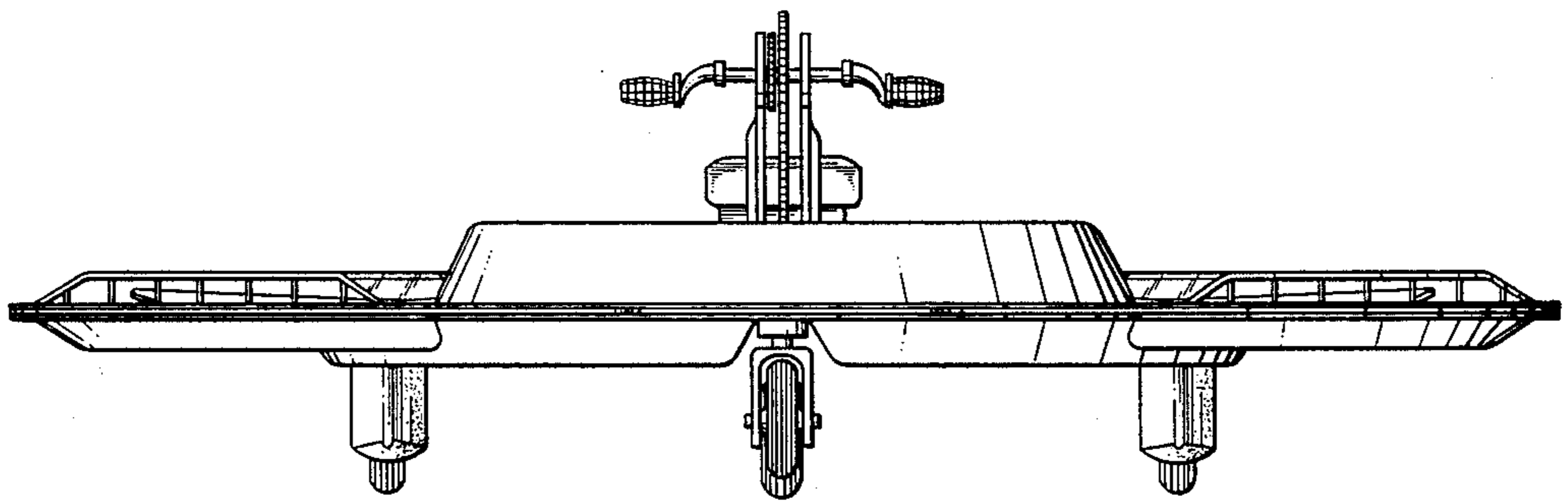


Fig. 1

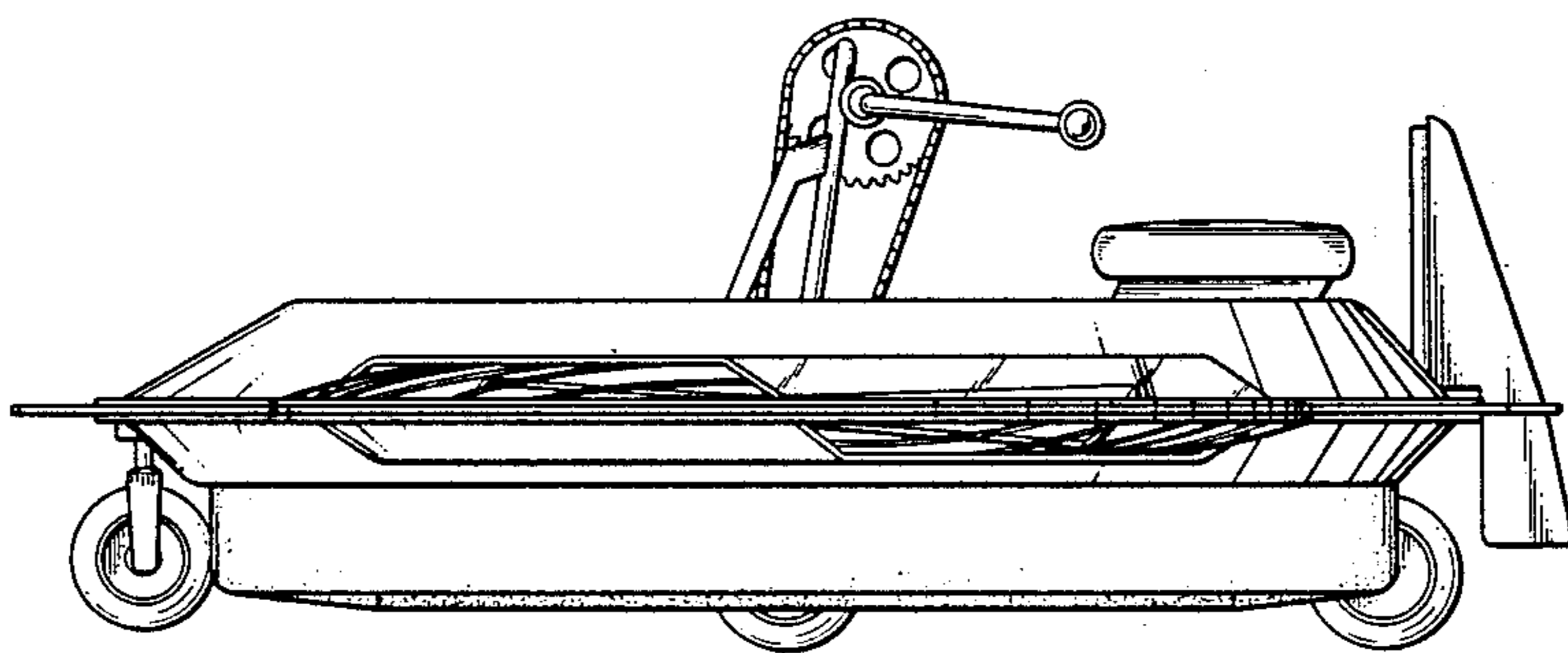


Fig. 2

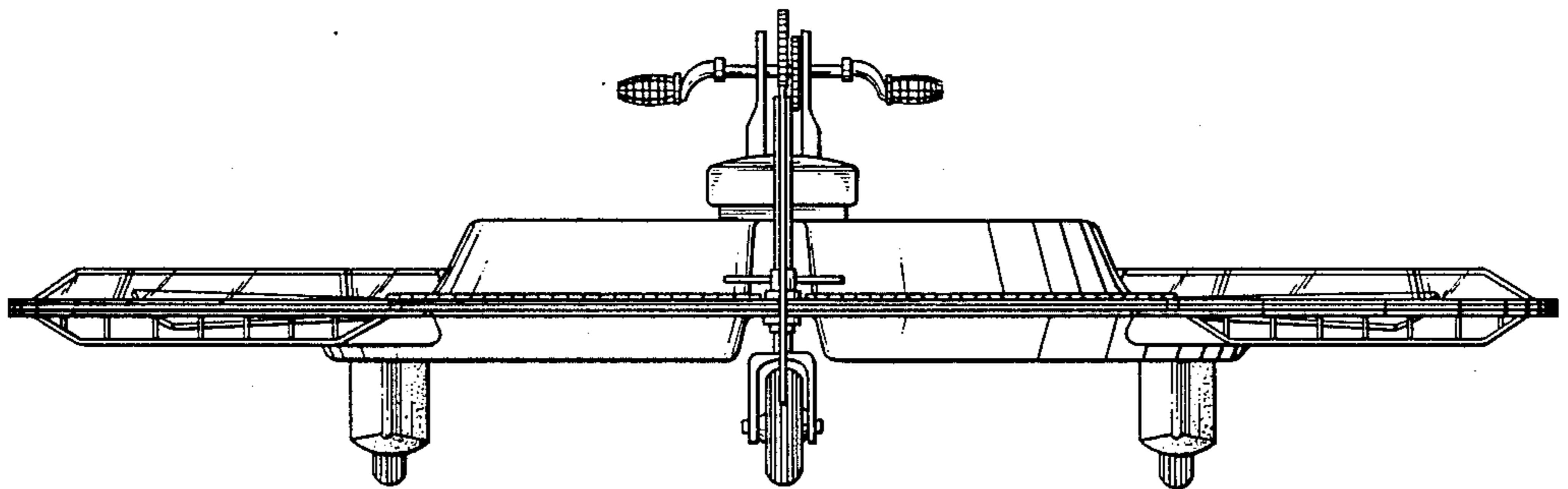


Fig. 3

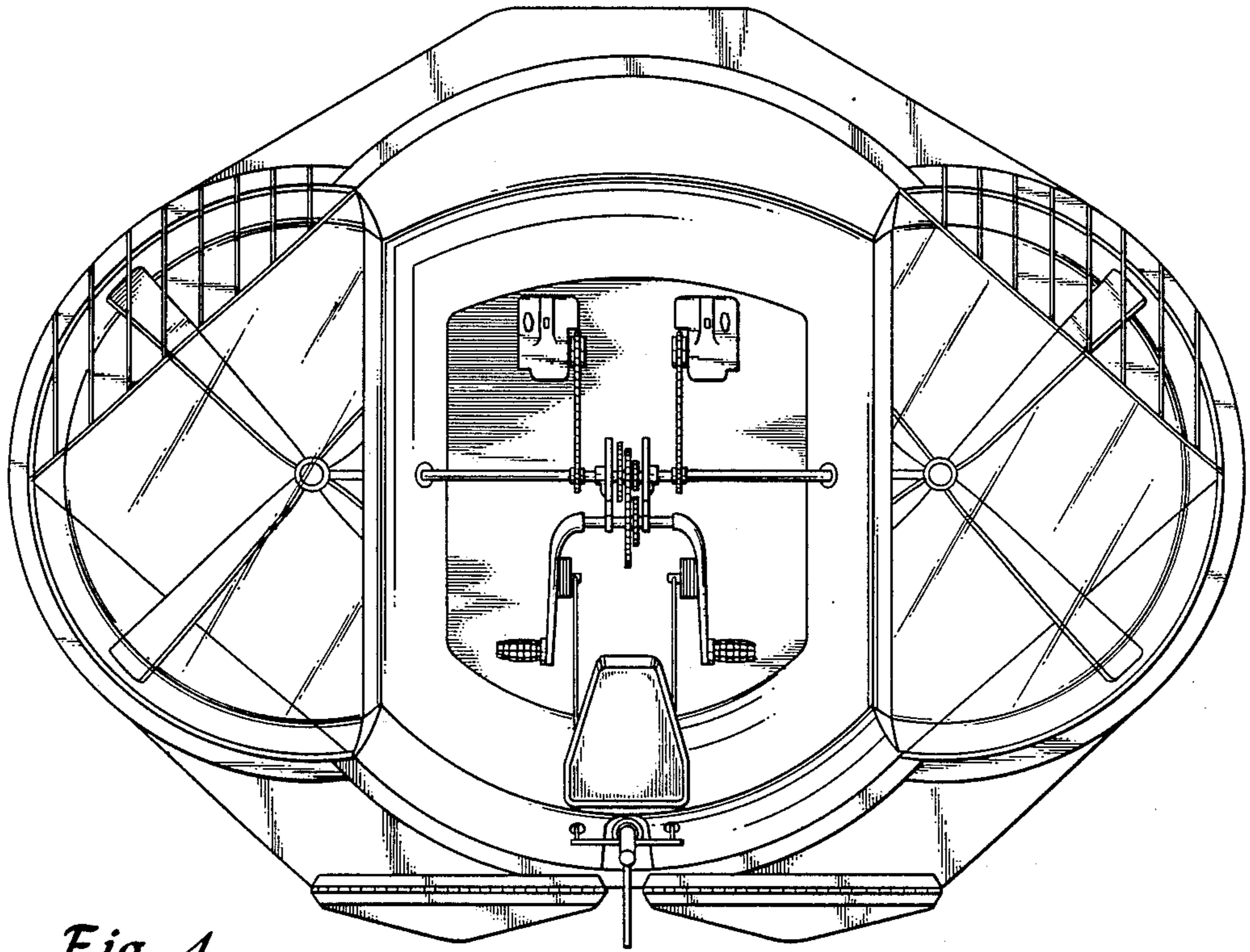


Fig. 4

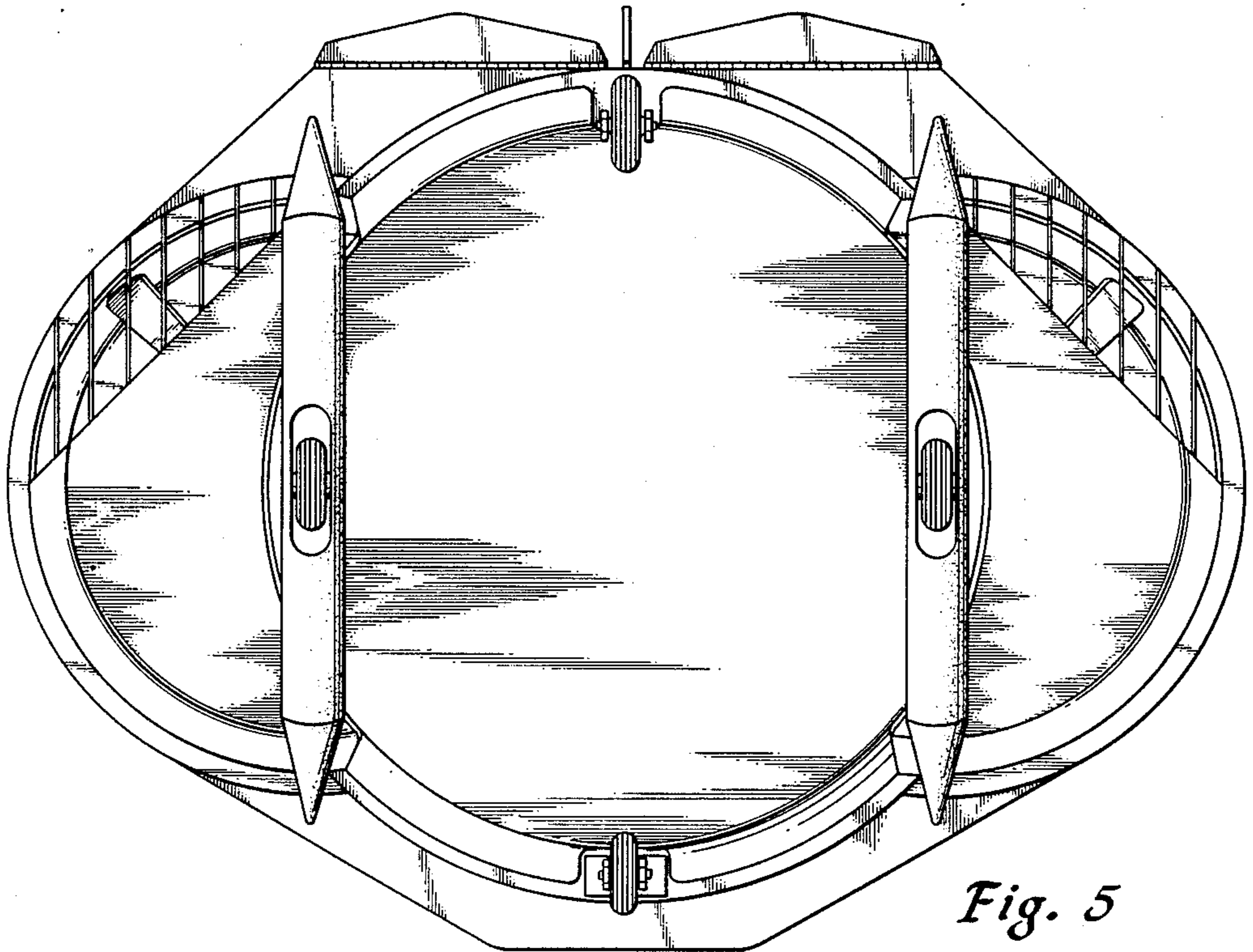


Fig. 5

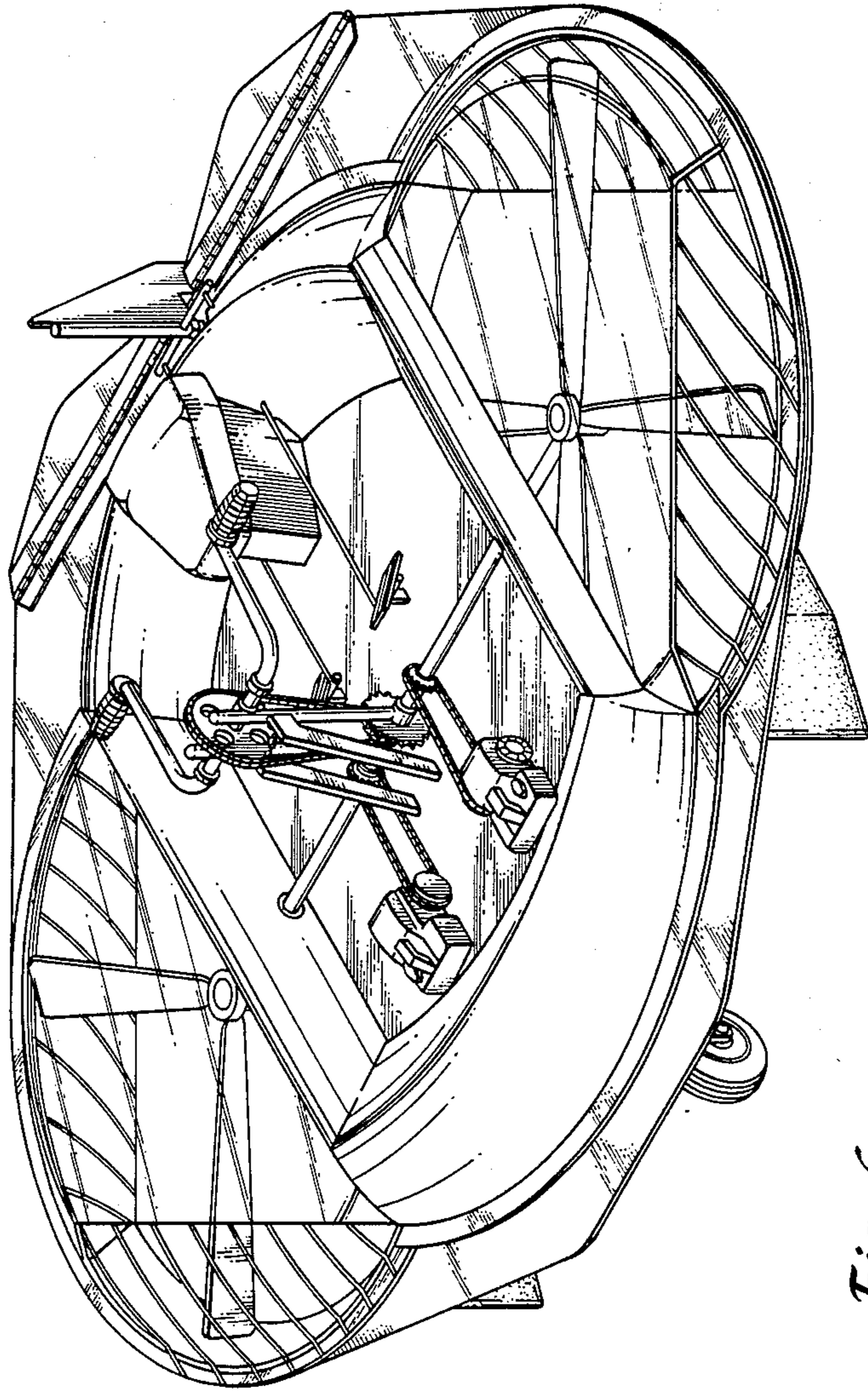


Fig. 6

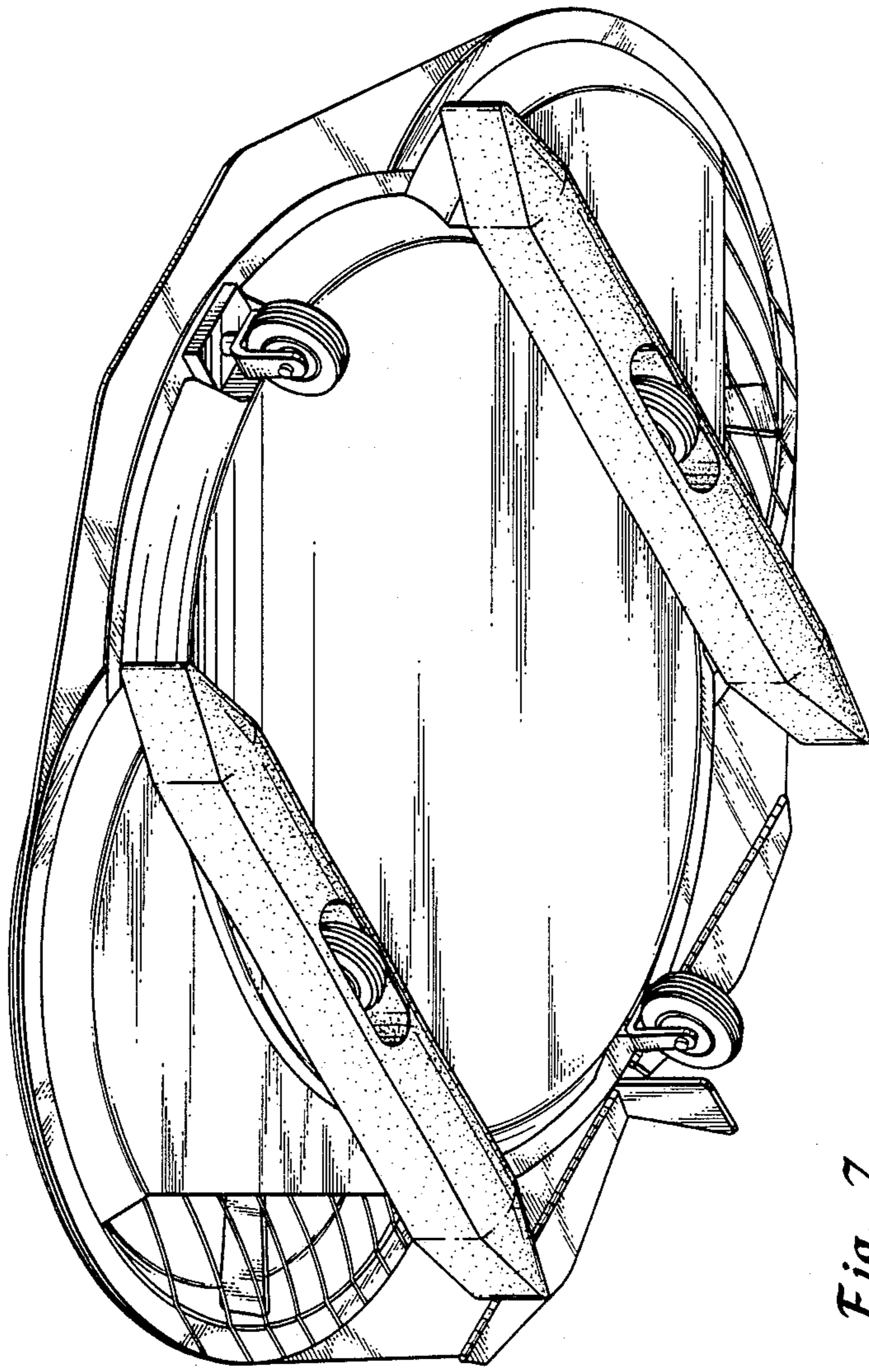


Fig. 7