

[54] **FOUR WHEEL MOTORCYCLE**  
[75] Inventors: **Kyohei Ueda; Mitsuru Yamamoto; Tetsuya Nakazawa; Kazuhiko Saito,** all of Wako, Japan

D. 297,132 8/1988 Ryuzoji et al. .... D12/107  
D. 298,744 11/1988 Saito et al. .... D12/107  
D. 298,745 11/1988 Takayaki .... D12/107  
D. 298,811 12/1988 Morita .... D12/107  
D. 299,630 1/1989 Matsue .... D12/107

[73] Assignee: **Honda Giken Kogyo Kabushiki Kaisha, Japan**

*Primary Examiner*—Susan J. Lucas  
*Assistant Examiner*—Melody N. Brown  
*Attorney, Agent, or Firm*—Kane, Dalsimer, Sullivan, Kurucz, Levy, Eisele and Richard

[\*\*] Term: **14 Years**

[21] Appl. No.: **61,202**

[57] **CLAIM**

[22] Filed: **Jun. 10, 1987**

The ornamental design for a four wheel motorcycle, as shown.

[30] **Foreign Application Priority Data**

Dec. 12, 1986 [JP] Japan ..... 61-49394

**DESCRIPTION**

[52] U.S. Cl. .... **D12/107**

[58] Field of Search ..... D12/107; 180/233, 311, 180/312

FIG. 1 is a front perspective view of a four wheel motorcycle showing our new design;  
FIG. 2 is a right side perspective view thereof;  
FIG. 3 is a left side perspective view thereof;  
FIG. 4 is a top plan view thereof;  
FIG. 5 is a bottom plan view thereof;  
FIG. 6 is a rear perspective view thereof; and  
FIG. 7 is an oblique perspective view thereof.

[56] **References Cited**

**U.S. PATENT DOCUMENTS**

D. 293,900 1/1988 Murakami ..... D12/107  
D. 295,273 4/1988 Saito et al. .... D12/107

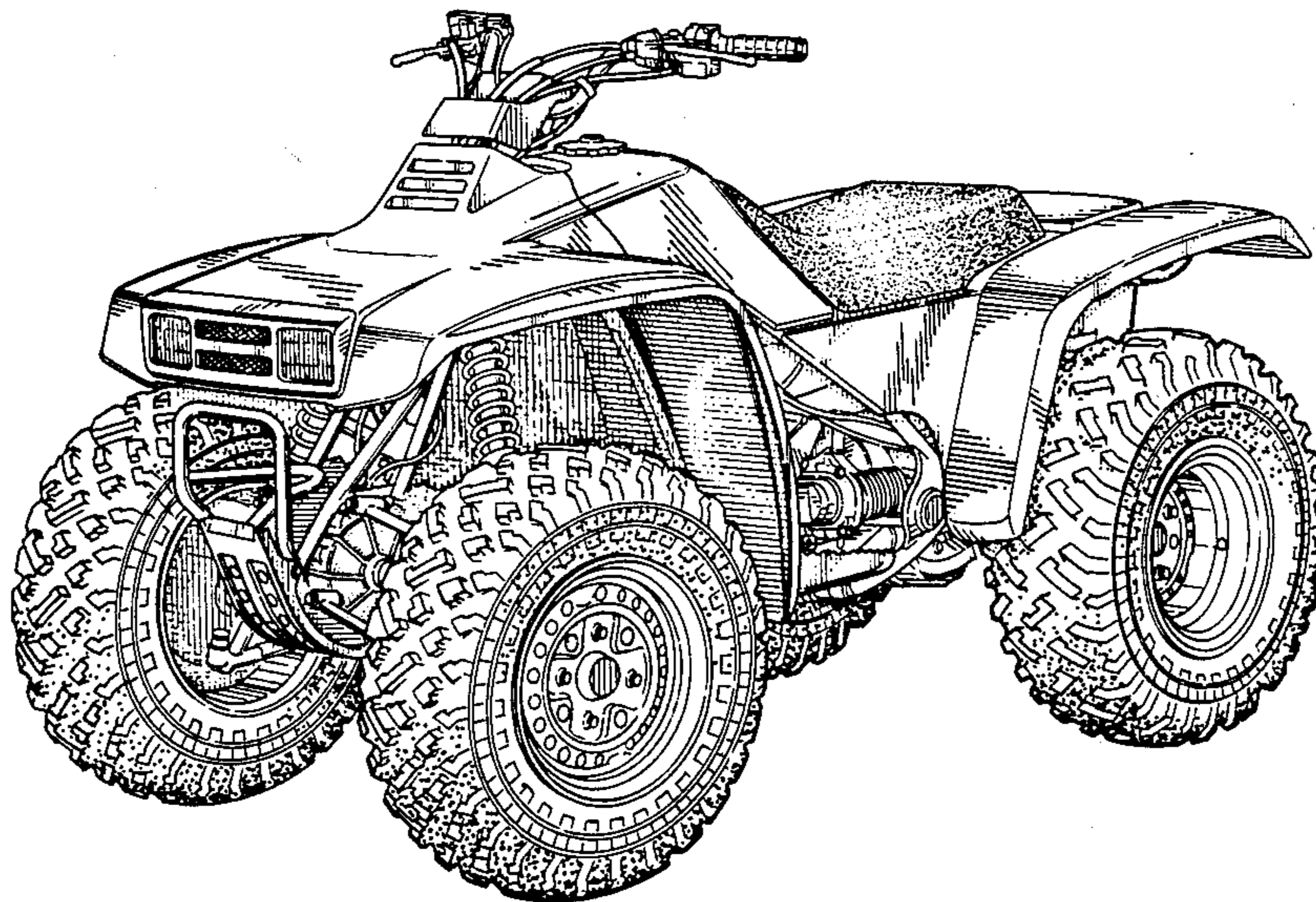


FIG. 6

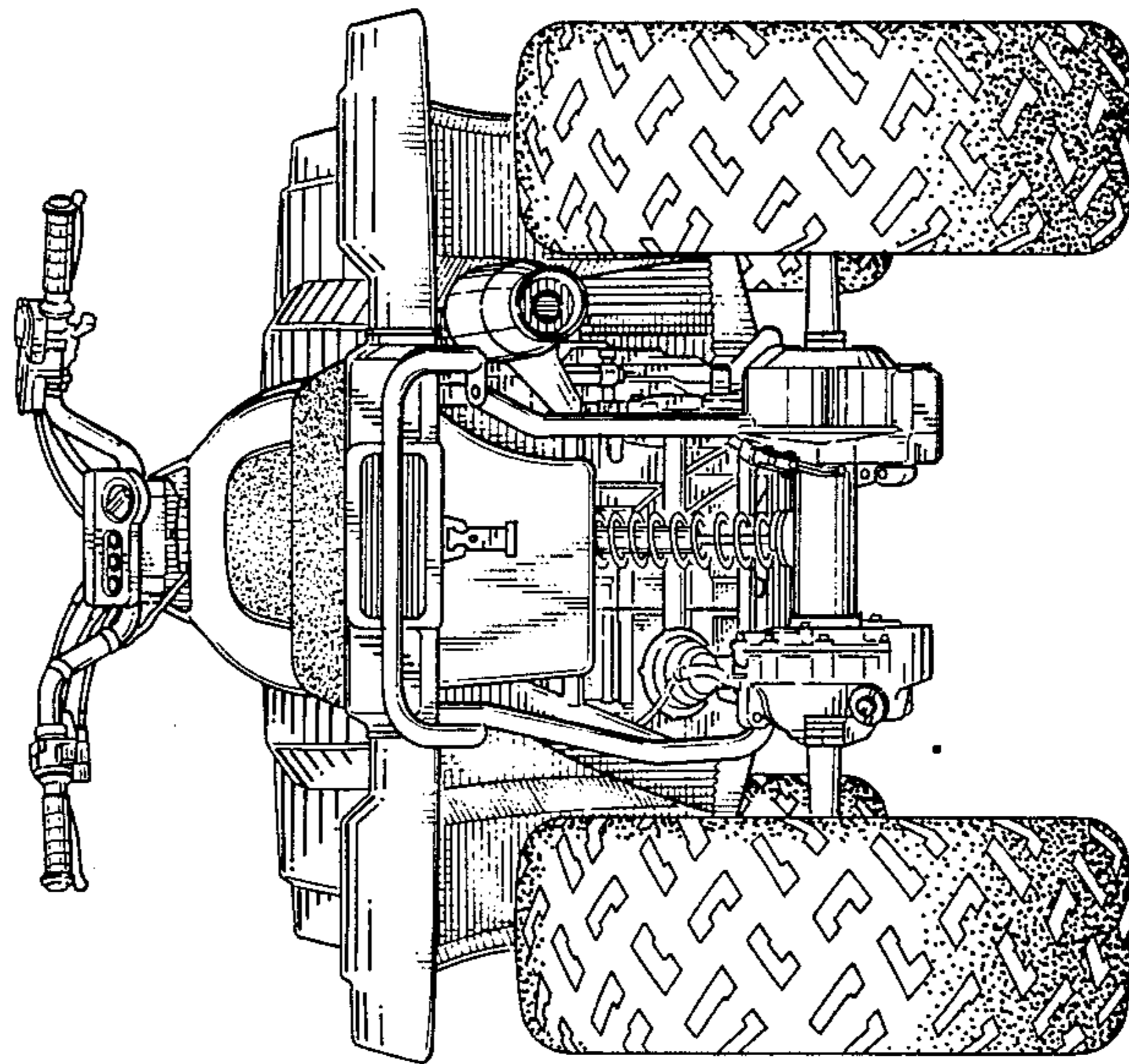


FIG. 1

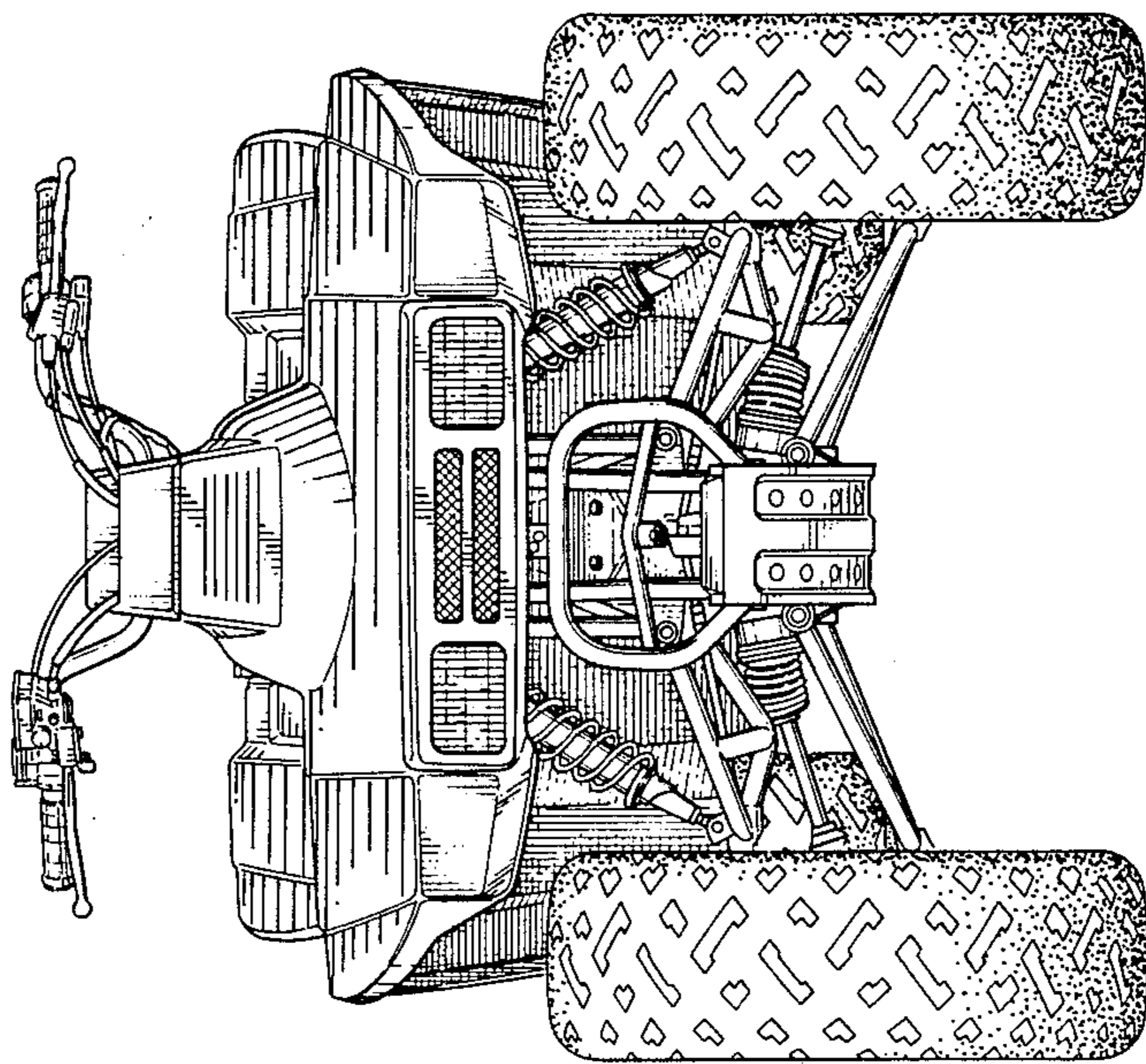


FIG. 2

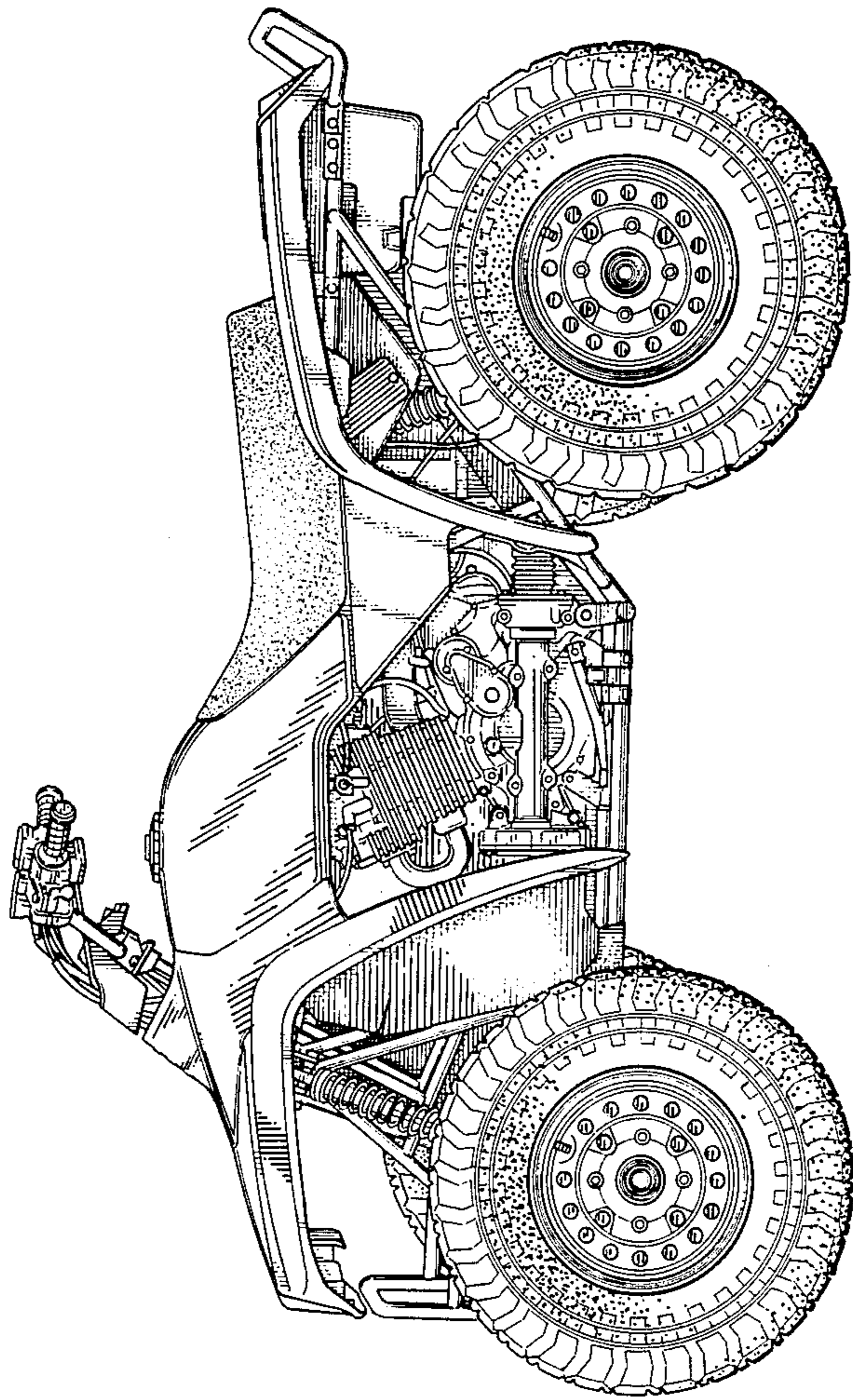


FIG. 3

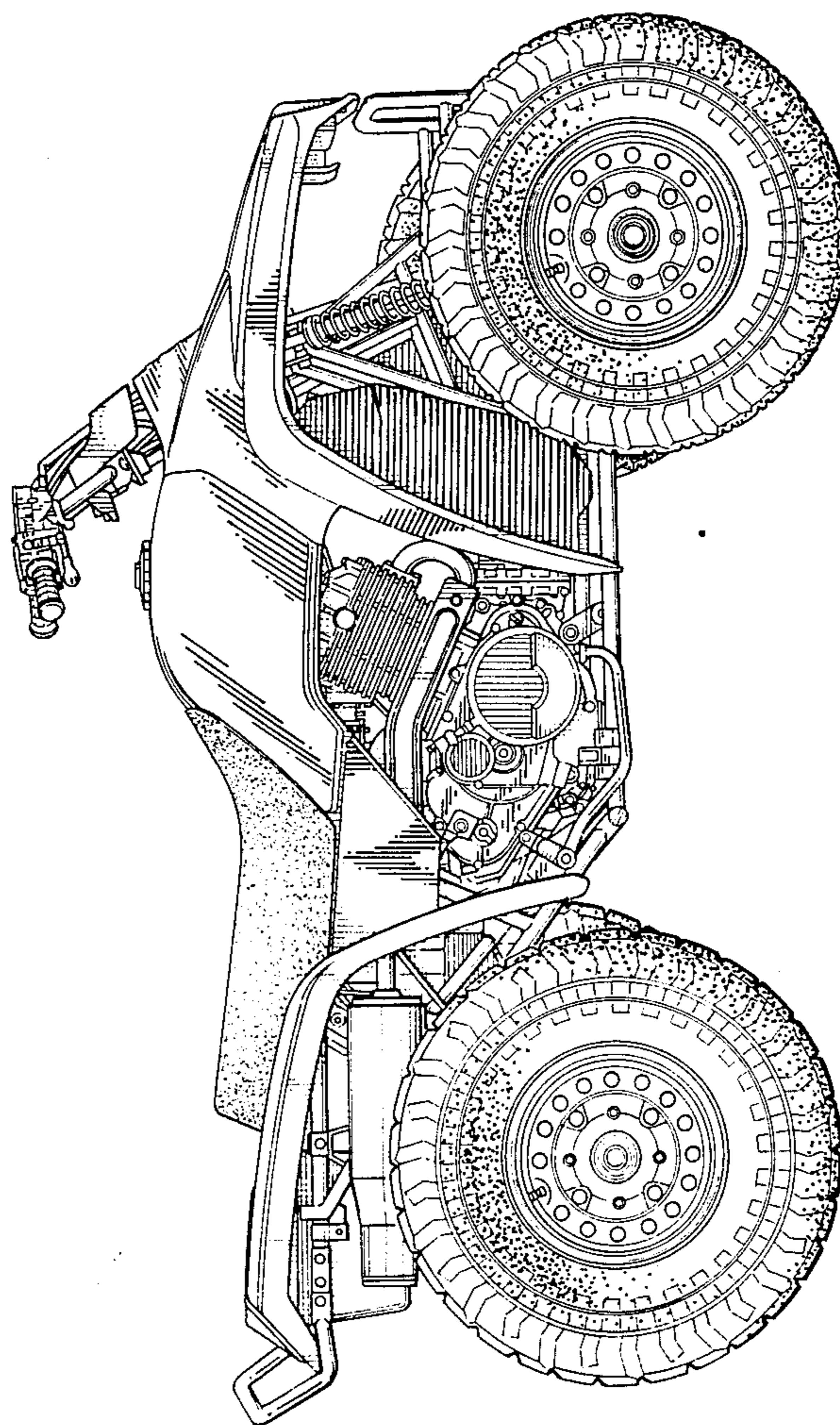
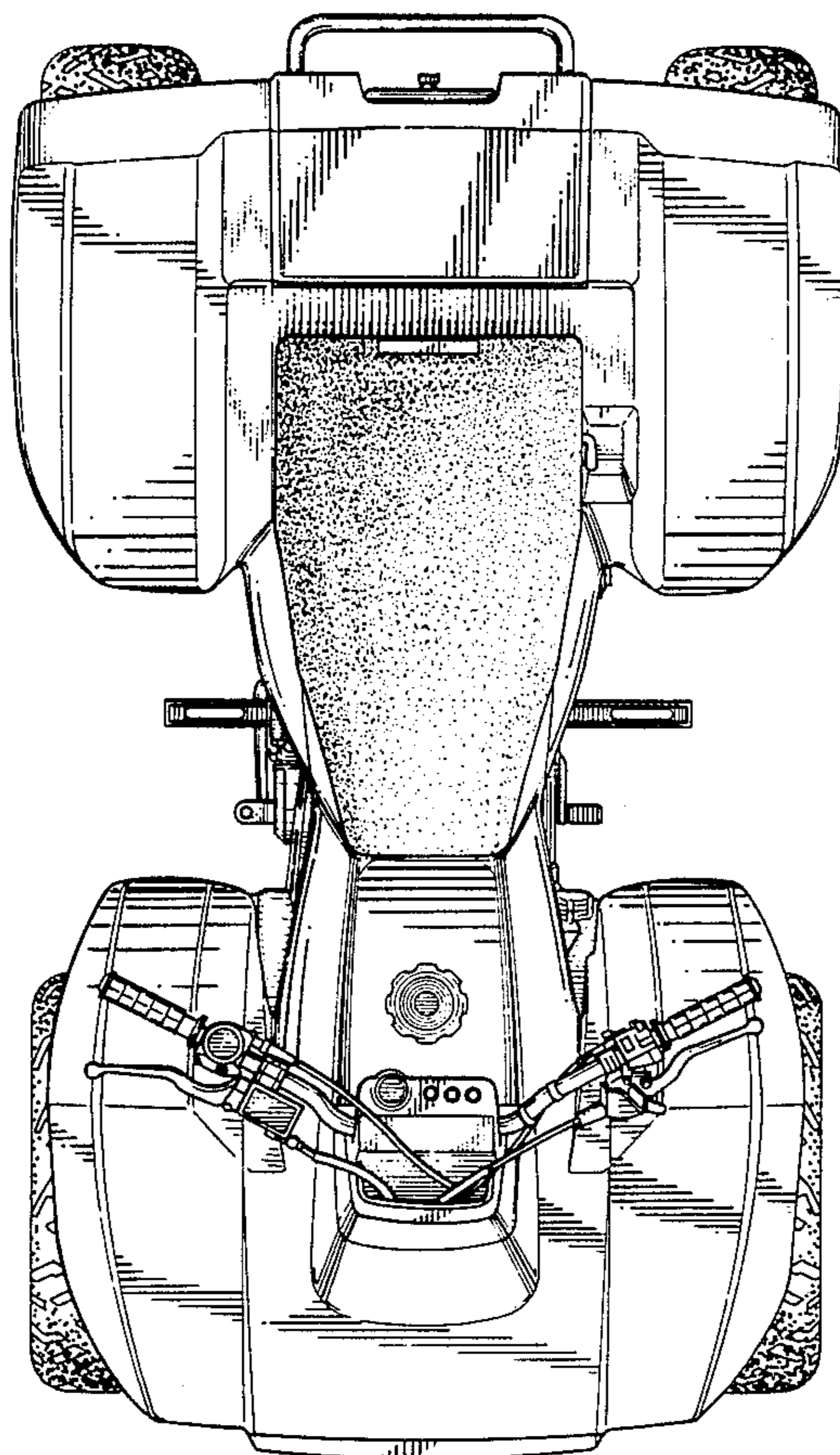


FIG. 4



*FIG. 5*

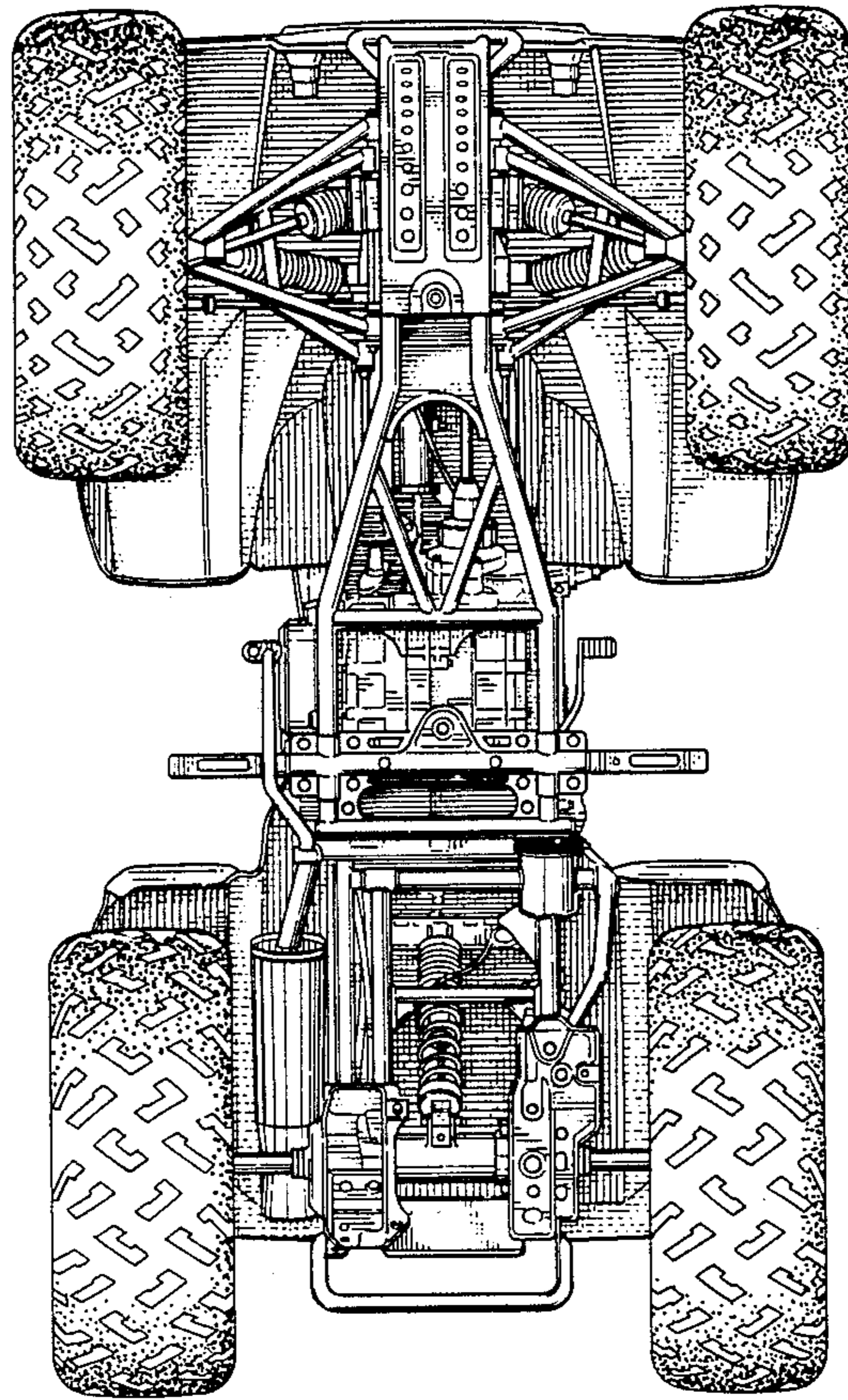


FIG. 7

