

[54] **CONTAINER CLOSURE**

[75] **Inventor: Joseph S. Taylor, Long Wittenham, England**

[73] **Assignee: CMB Packaging (UK) Limited, Perry Wood Walk, England**

[\*] **Notice: The portion of the term of this patent subsequent to Jan. 2, 2004 has been disclaimed.**

[\*\*] **Term: 14 Years**

[21] **Appl. No.: 845,043**

[22] **Filed: Mar. 17, 1986**

[30] **Foreign Application Priority Data**

Sep. 20, 1985 [GB] United Kingdom ..... 1029368

[52] **U.S. Cl. .... D9/438**

[58] **Field of Search ..... D9/438, 435, 434, 368; 220/260, 269, 270, 271, 272, 273, 274; 222/541,**

80

[56] **References Cited**

**U.S. PATENT DOCUMENTS**

D. 243,157	1/1977	Zundel .....	D9/438
D. 265,463	7/1982	Hasegawa .....	D9/438
D. 285,661	9/1986	Brownbill .....	D9/438
3,874,555	4/1975	Patarini et al. ....	D9/438
4,356,929	11/1985	Muller-Kuhn et al. ....	220/270

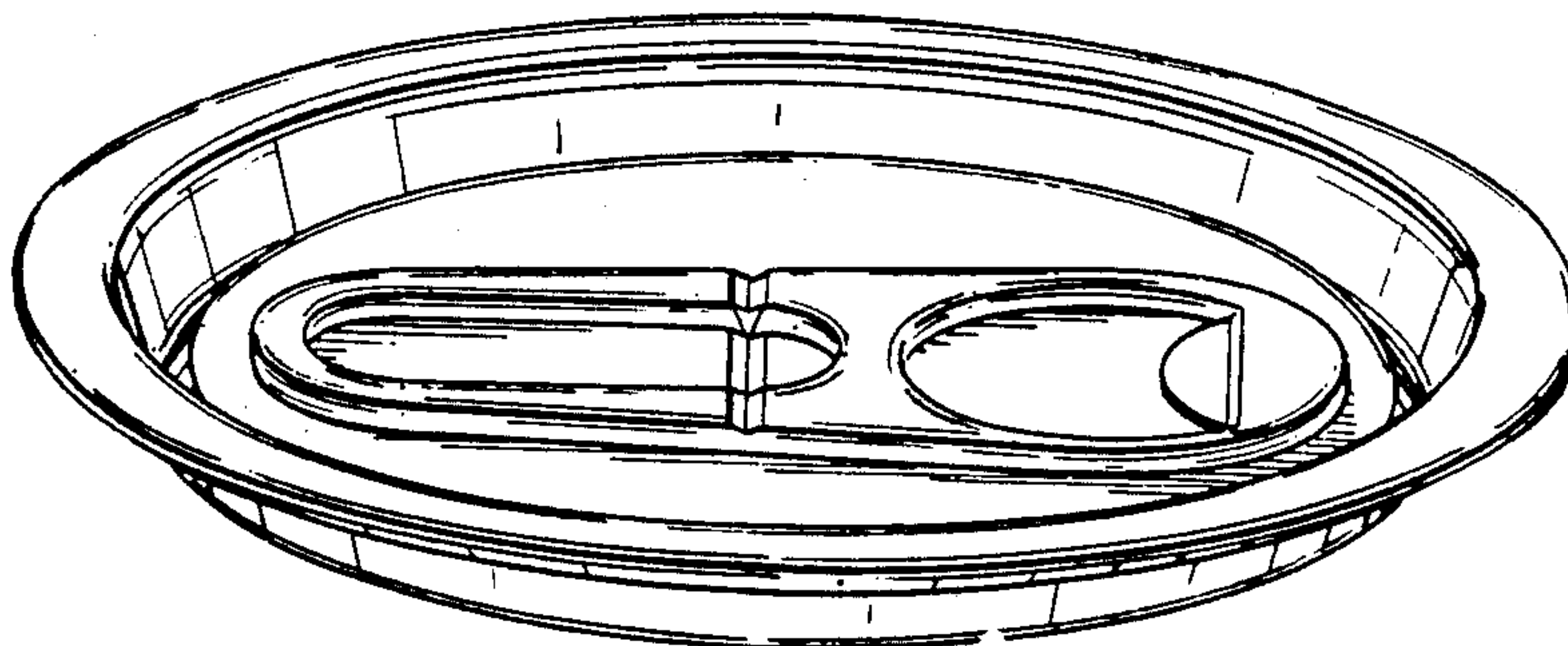
*Primary Examiner*—Bernard Ansher  
*Assistant Examiner*—Prabhakar Deshmukh  
*Attorney, Agent, or Firm*—Burns, Doane, Swecker & Mathis

[57] **CLAIM**

The ornamental design for a container closure, as shown.

**DESCRIPTION**

FIG. 1 is a perspective view of a container closure showing my new design;  
FIG. 2 is a side elevation thereof;  
FIG. 3 is a bottom plan view thereof;  
FIG. 4 is a top plan view thereof; and  
FIG. 5 is a sectional view along the line V—V of FIG. 4.



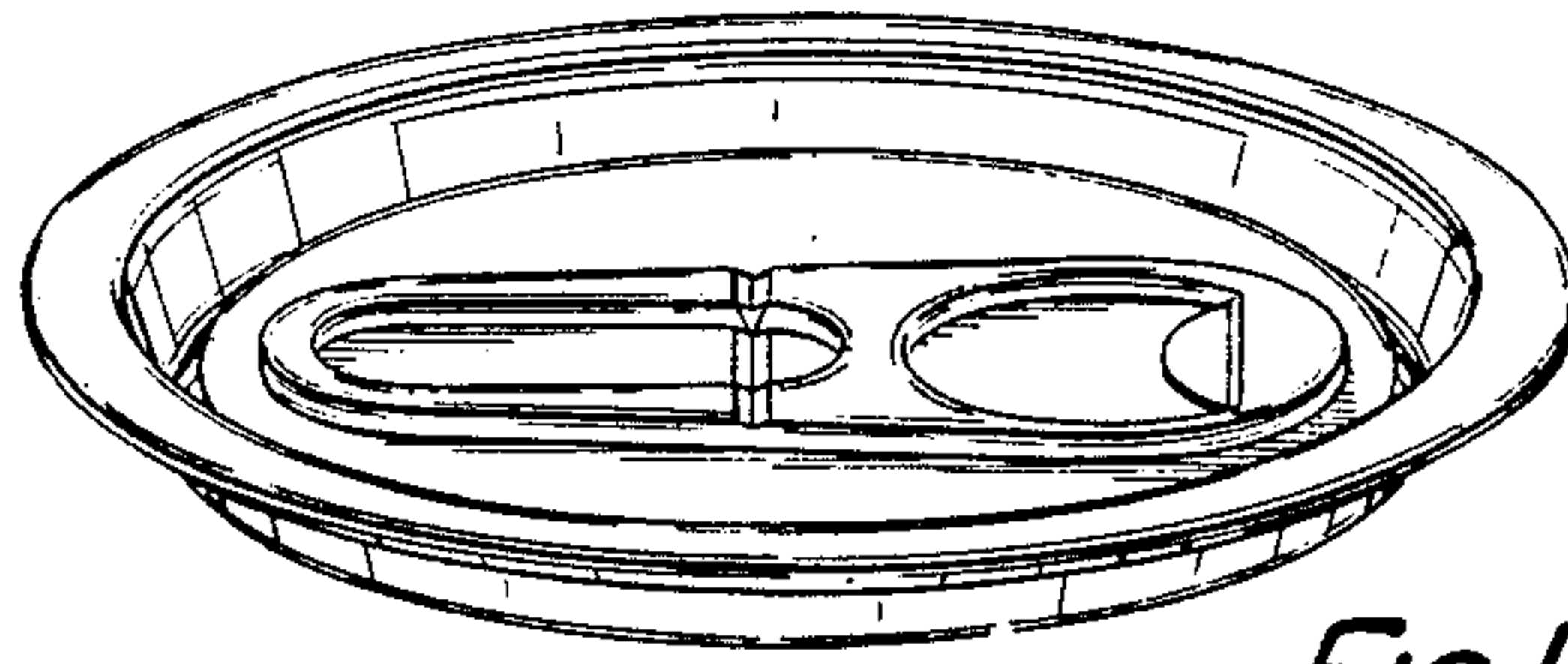


FIG. 1.

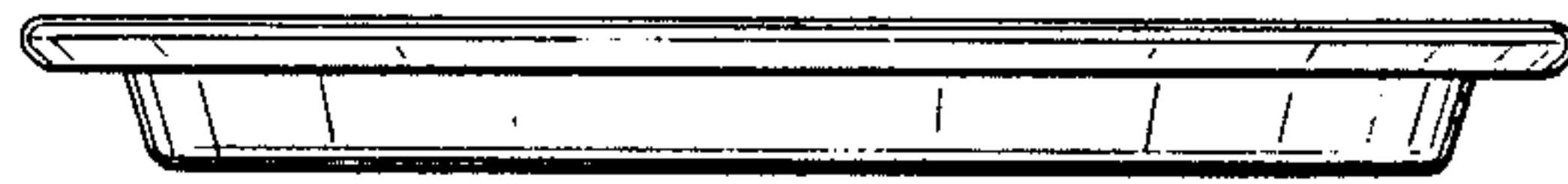


FIG. 2.

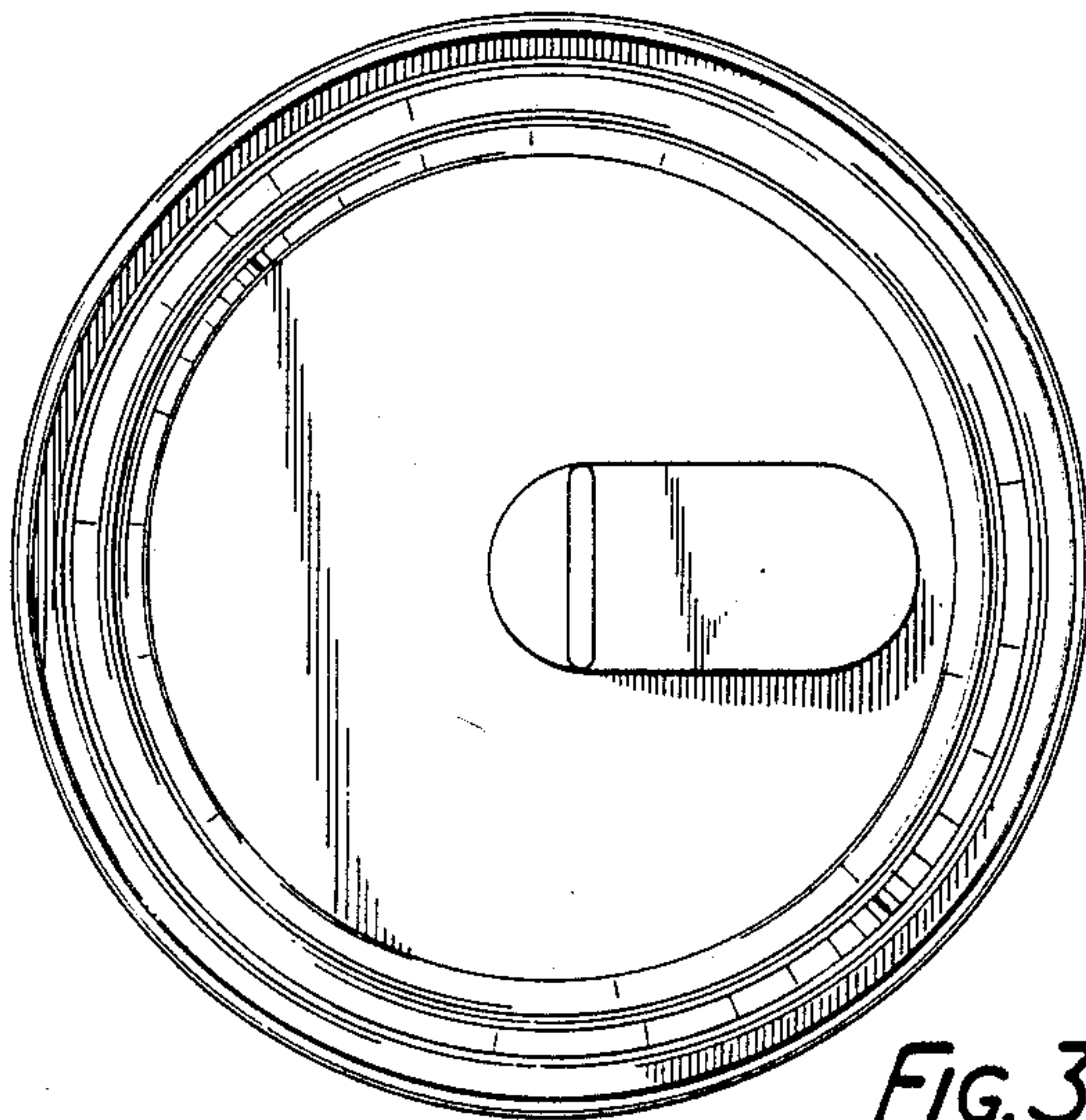


FIG. 3.

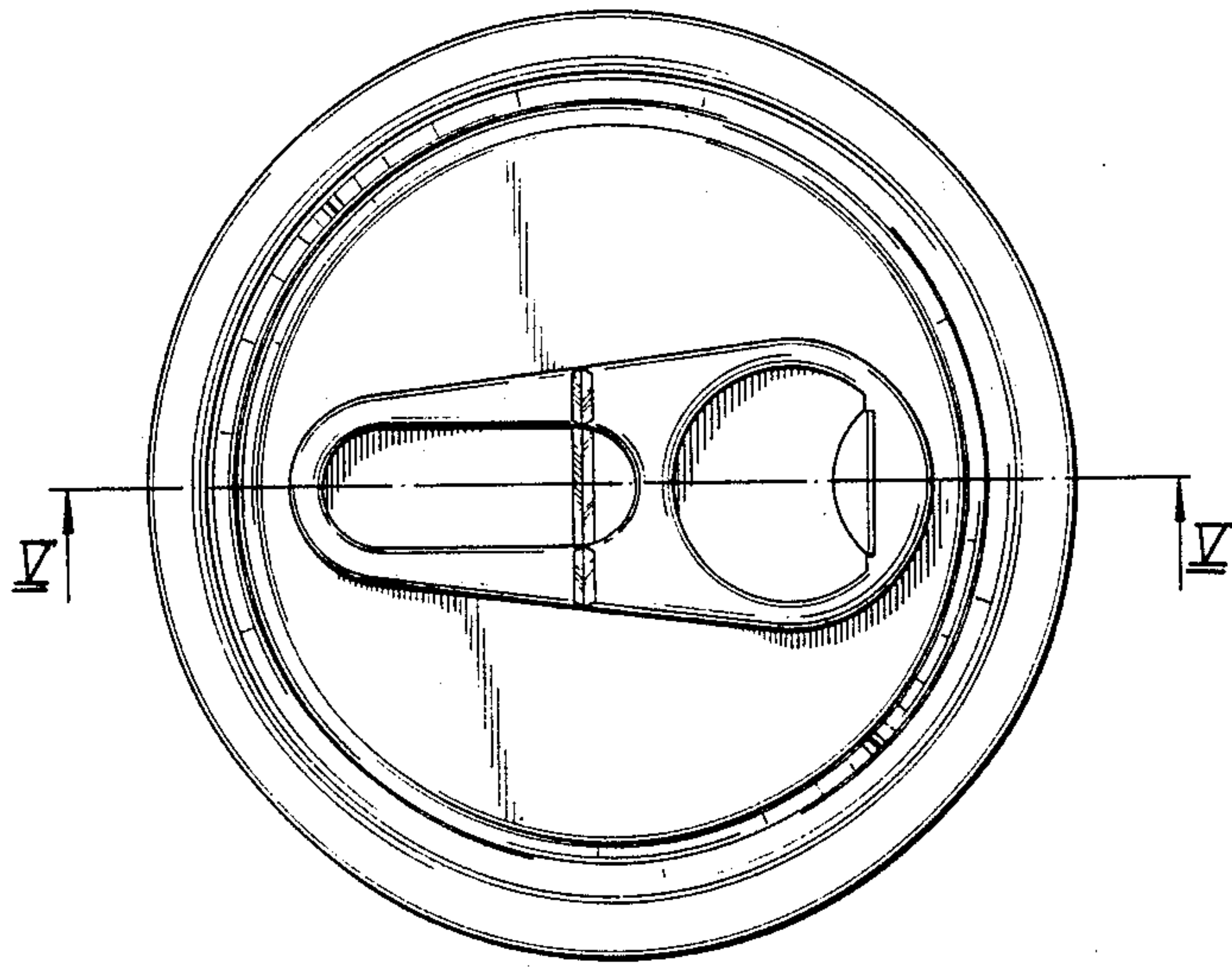


FIG. 4.



FIG. 5.