

[54] **BAG CLOSURE CLIP**

[76] **Inventor: Scott Fohrman, 1123 Linden, Wilmette, Ill. 60091**

[**] **Term: 14 Years**

[21] **Appl. No.: 95,934**

[22] **Filed: Sep. 14, 1987**

[52] **U.S. Cl. D9/434**

[58] **Field of Search D9/434; 383/42; 24/455; D19/65; 16/114 R**

[56] **References Cited**

U.S. PATENT DOCUMENTS

- D. 264,689 6/1982 Miller D9/434
- D. 275,372 9/1984 Price et al. D9/434
- 824,904 7/1906 Cammett et al. 16/114 R

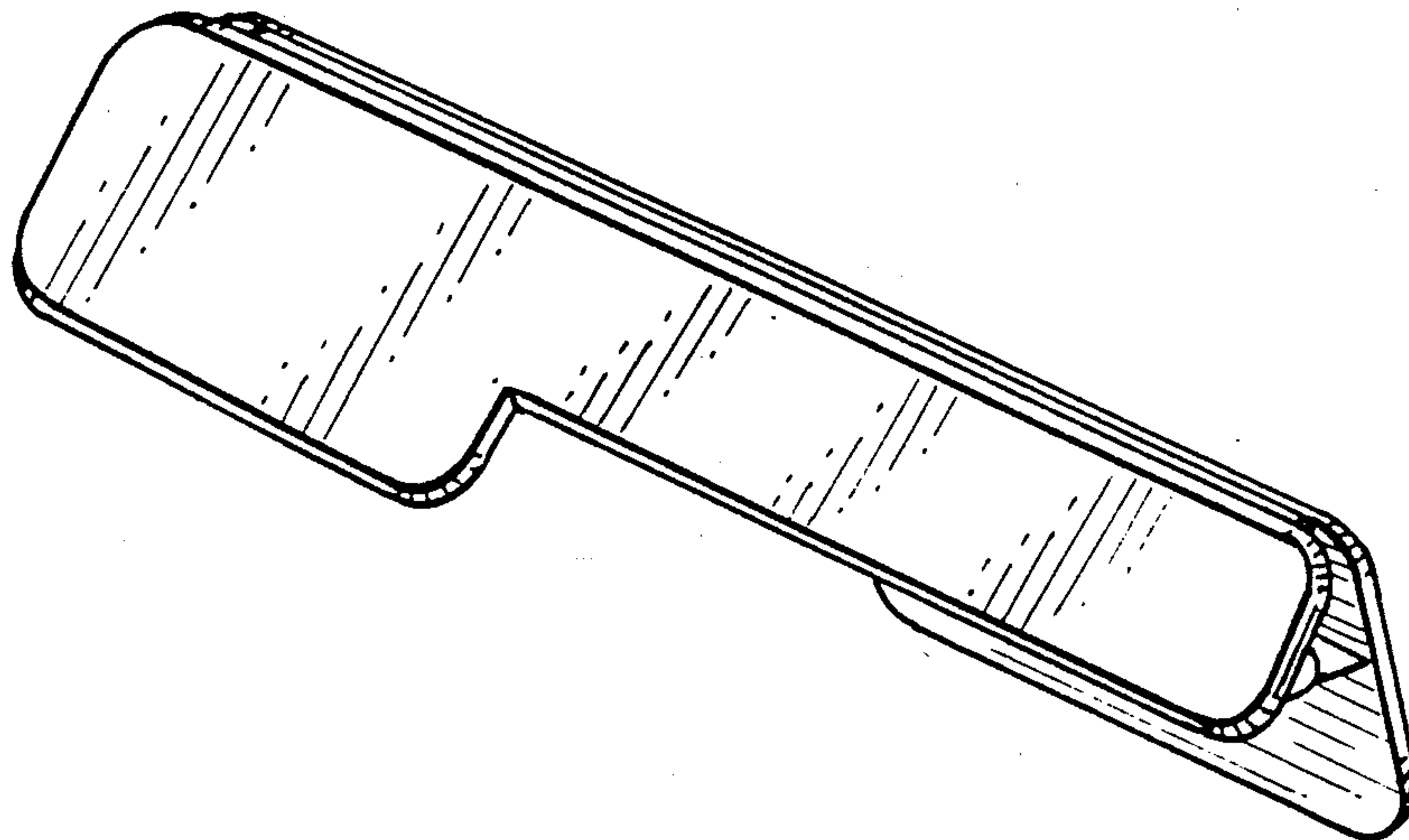
Primary Examiner—Bernard Ansher
Assistant Examiner—David Jeo
Attorney, Agent, or Firm—Welsh & Katz, Ltd.

[57] **CLAIM**

The ornamental design for a bag closure clip, as shown and described.

DESCRIPTION

FIG. 1 is a top front perspective view of a bag closure clip showing my new design;
FIG. 2 is a top plan view thereof;
FIG. 3 is a front elevational view thereof;
The rear elevational view is the mirror image of that shown in FIG. 3;
FIG. 4 is a bottom plan view thereof; and
FIG. 5 is a left side elevational view thereof;
The right side elevational view is the mirror image of that shown in FIG. 5.



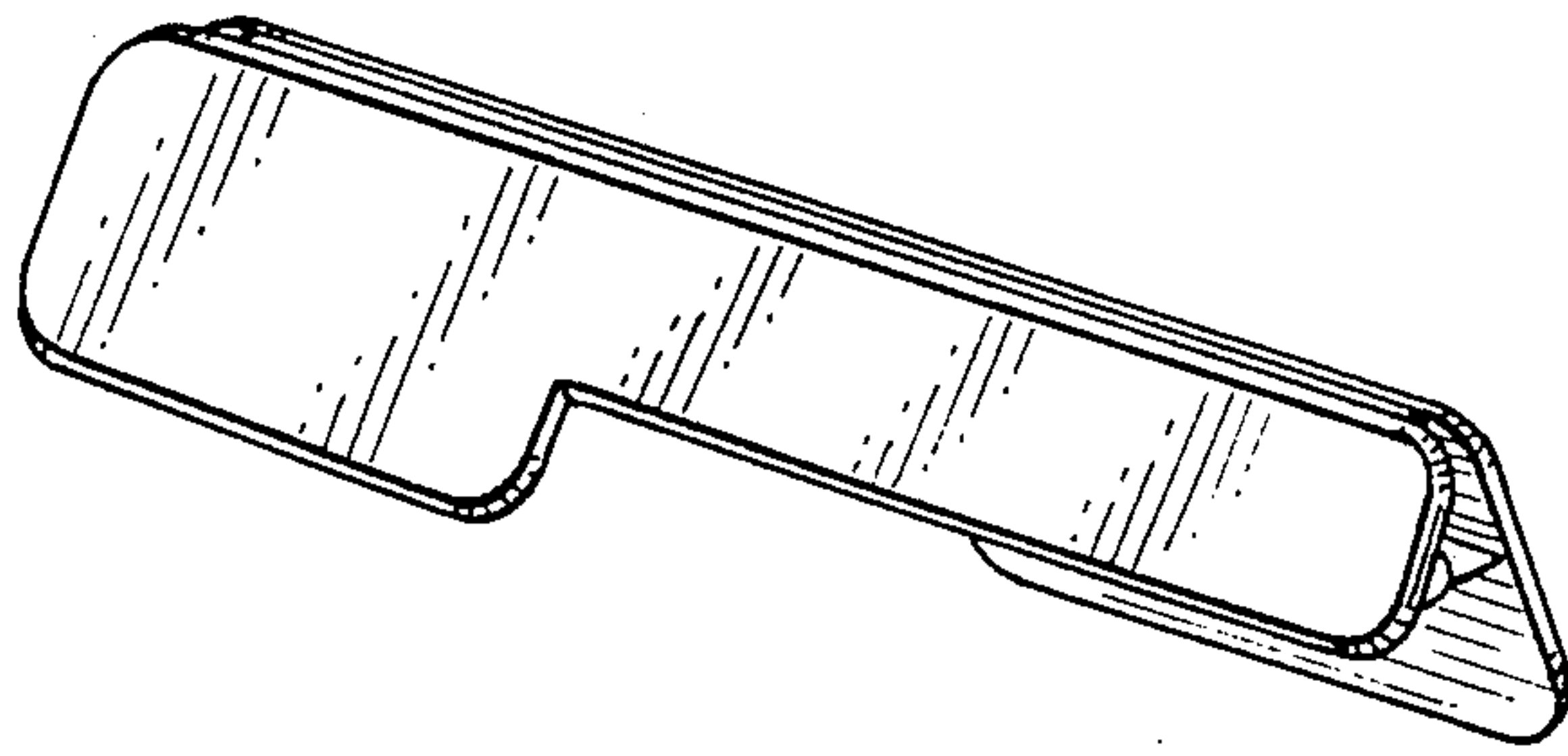


FIG. 1

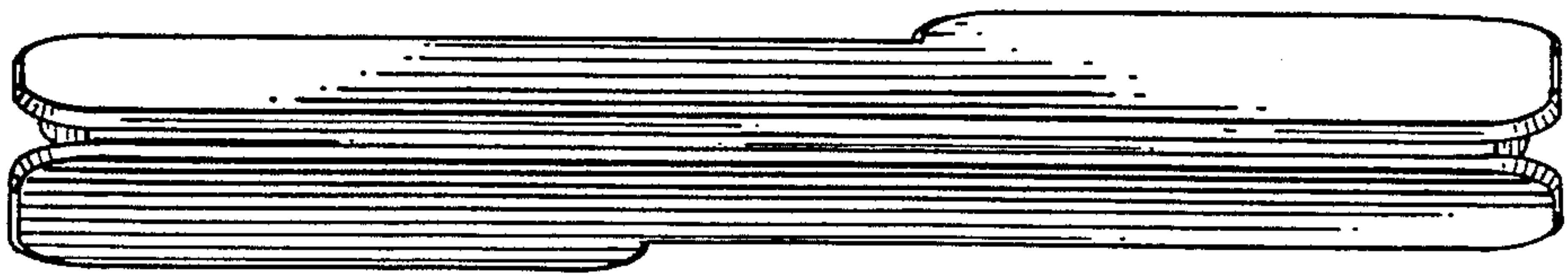


FIG. 2

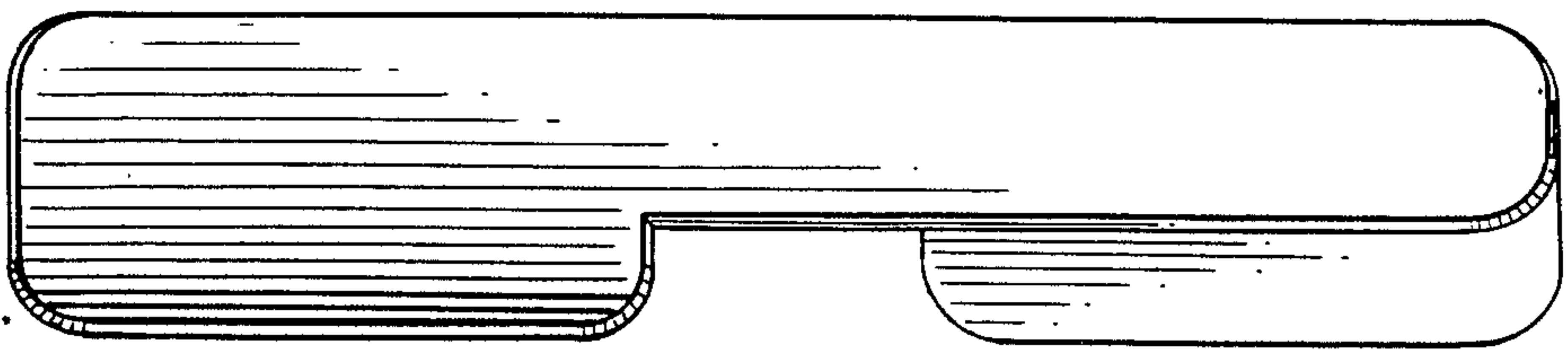


FIG. 3

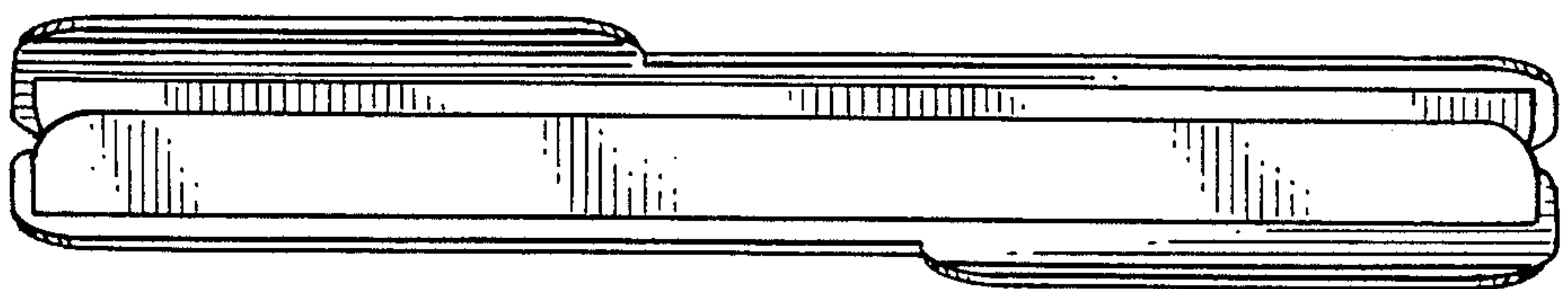


FIG. 4

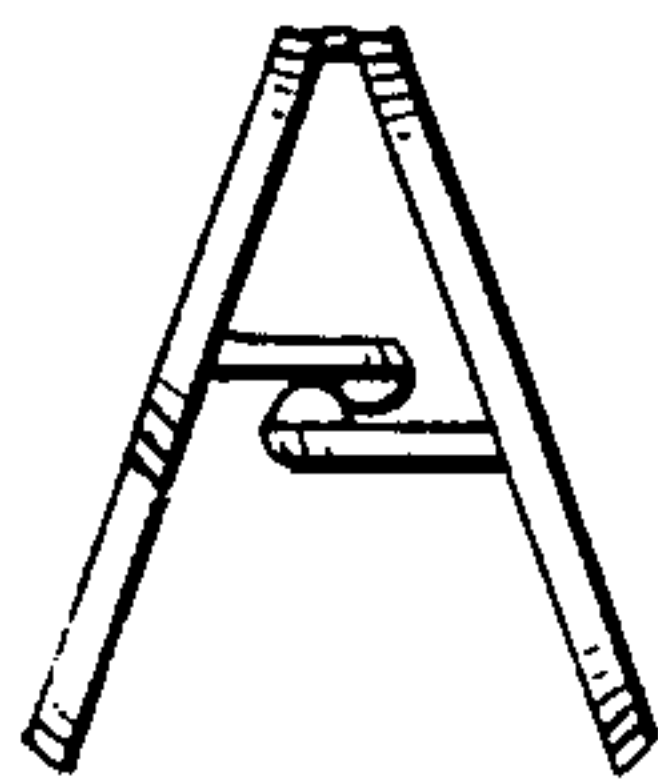


FIG. 5