

[54] DISPLAY CONTAINER FOR DENTAL ARTICLES OR THE LIKE
[75] Inventors: Aline Christiansen, Carlsbad; Donald Wendell; Lonnie Pogue, both of San Diego, all of Calif.

[73] Assignee: Johnson & Johnson Consumer Products, Inc., New Brunswick, N.J.

[**] Term: 14 Years

[21] Appl. No.: 74,432

[22] Filed: Jul. 16, 1987

[52] U.S. Cl. D9/424

[58] Field of Search D9/414-433, D9/341, 345; D3/30.1, 33; 206/63.5, 83, 44 R, 44.11, 45.13, 45.19, 45.31, 45.33, 45.34, 6.1, 566; 220/4 B, 82 R

[56] References Cited

U.S. PATENT DOCUMENTS

- D. 152,555 2/1949 Millard D9/418
- D. 162,551 3/1951 Levine D9/424
- D. 202,446 9/1965 Braun D9/423

- D. 240,204 6/1976 Ferguson D9/422
- 2,375,645 5/1945 Gordon 206/83
- 3,917,062 11/1975 Winters 206/63.5
- 4,180,159 12/1979 Tanaka 206/63.5
- 4,494,651 1/1985 Malcolm 206/45.34 X

OTHER PUBLICATIONS

Modern Packaging, Nov. 1956, p. 264 Thermometer & Syringe Boxes, p. 299 Bradley Boxes.

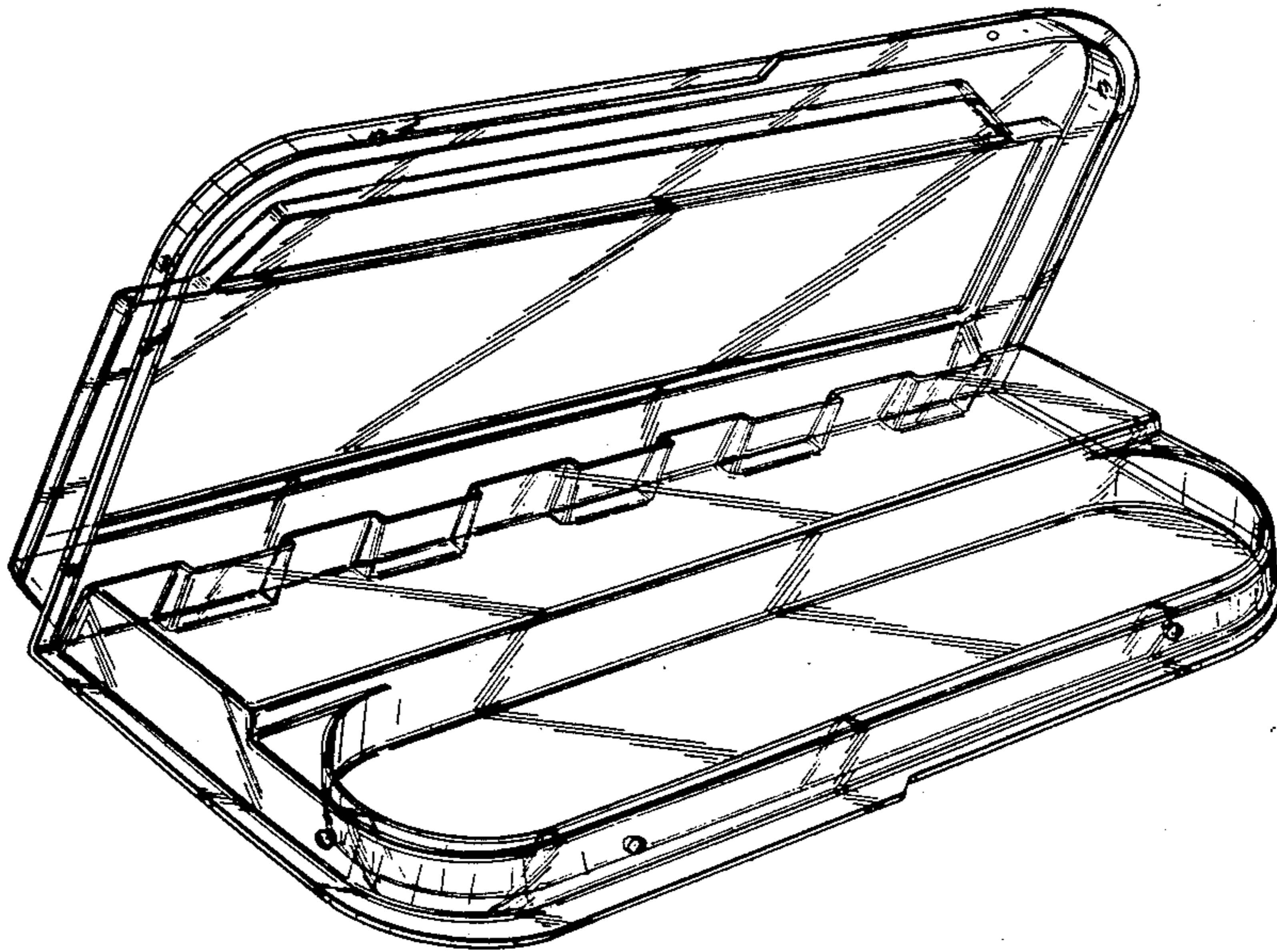
Primary Examiner—Bernard Ansher
Assistant Examiner—Prabhakar Deshmukh

[57] CLAIM

The ornamental design for a display container for dental articles or the like, as shown and described.

DESCRIPTION

FIG. 1 is a front perspective view of a display container for dental articles or the like showing my new design; FIG. 2 is a right side elevation thereof; FIG. 3 is a top plan view thereof; FIG. 4 is a front elevation thereof; FIG. 5 is a rear side elevation thereof; FIG. 6 is a bottom plan view thereof; and FIG. 7 is a perspective view thereof, in open position.



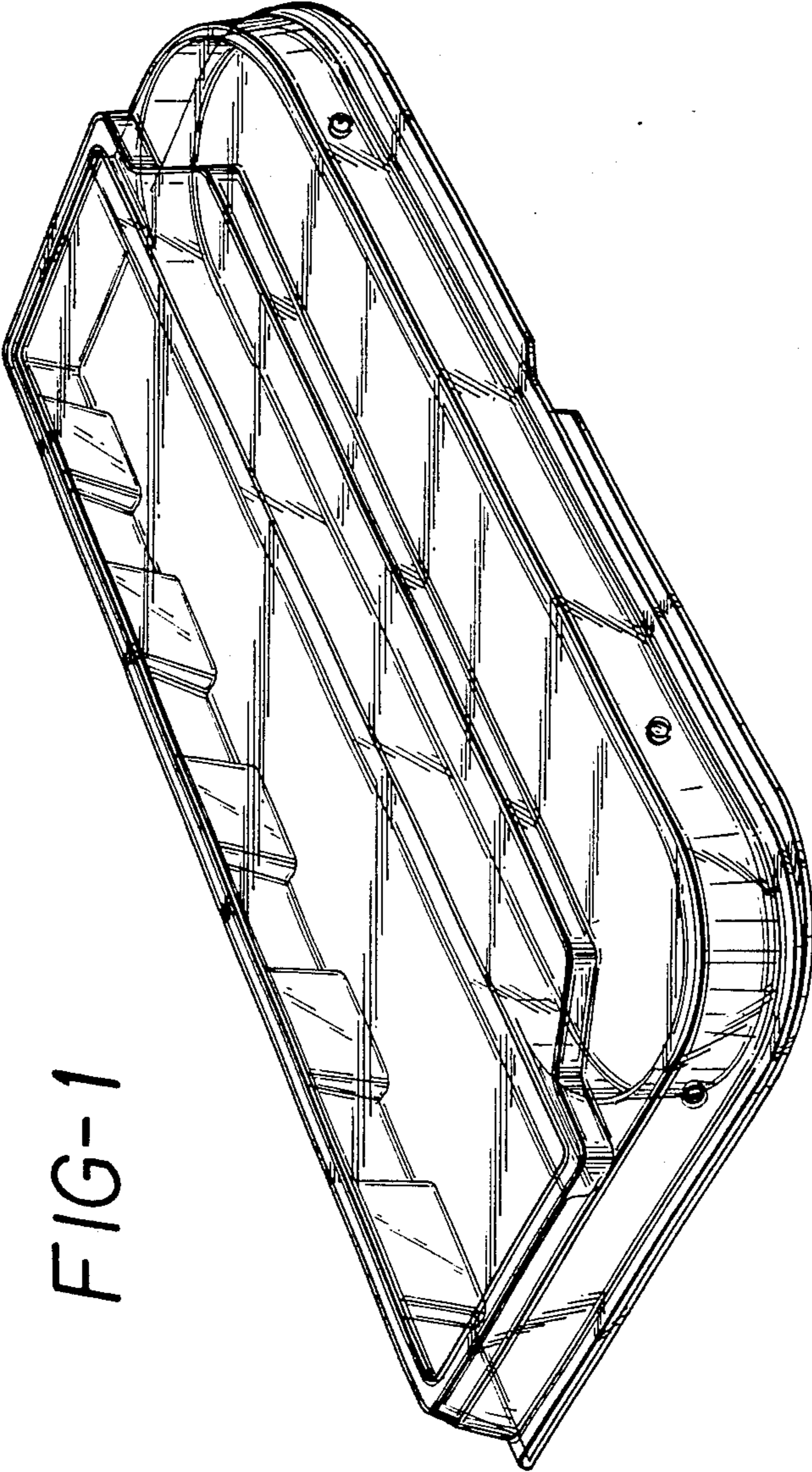


FIG-1

FIG-2

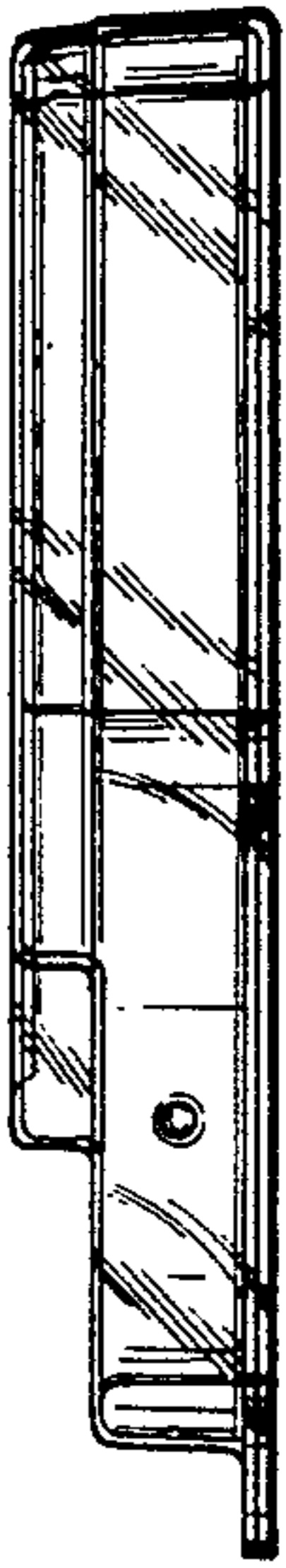


FIG-3

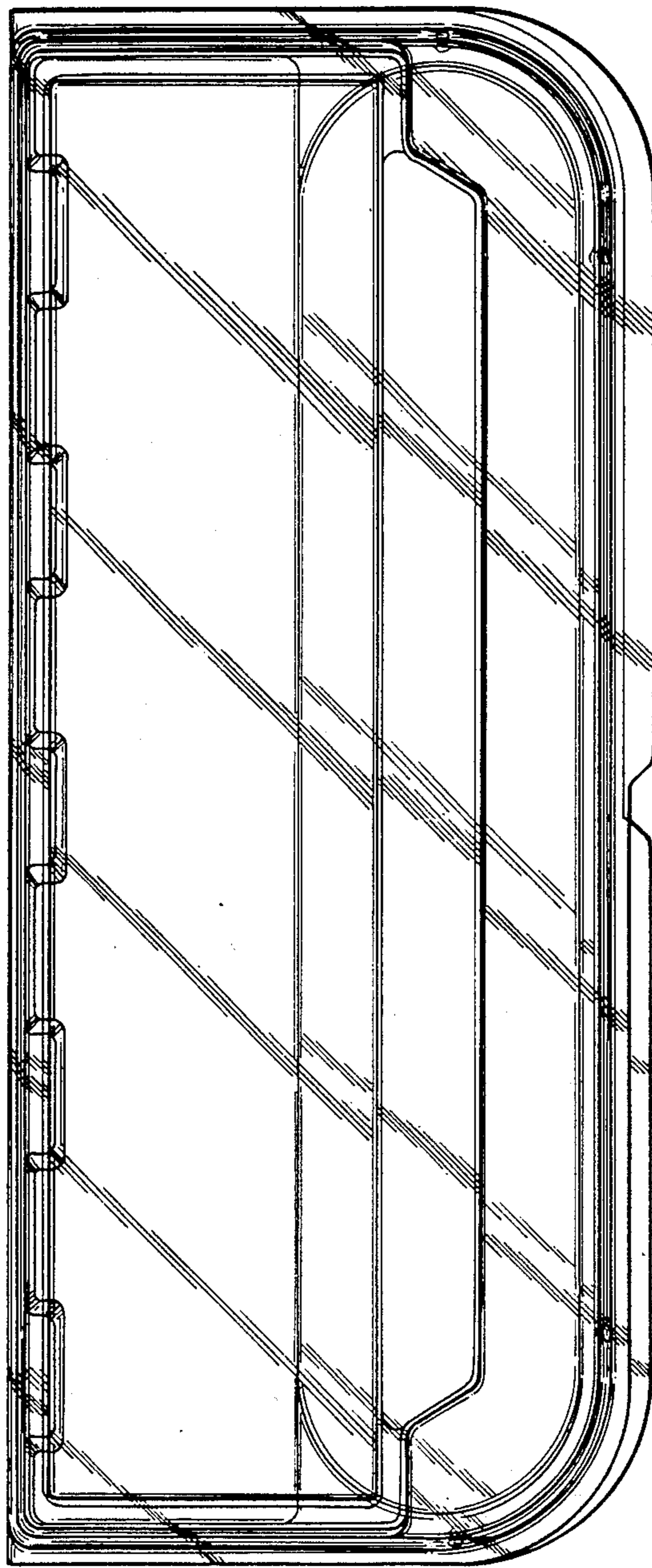


FIG-4

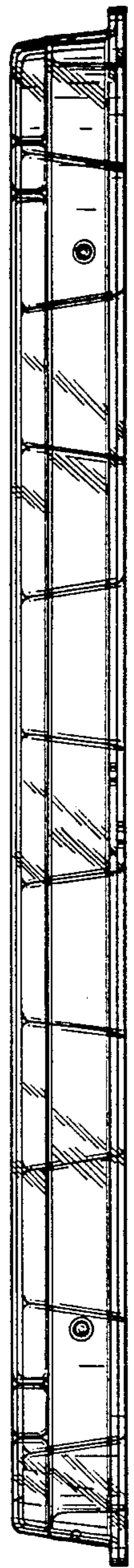


FIG-5

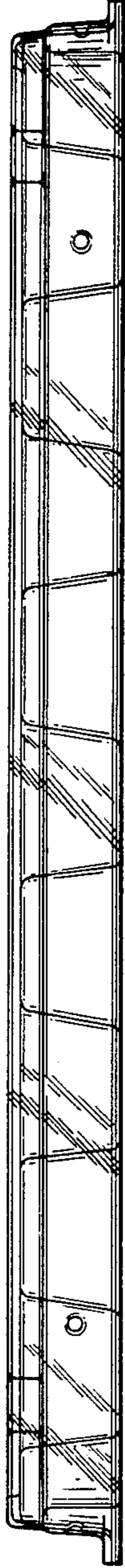
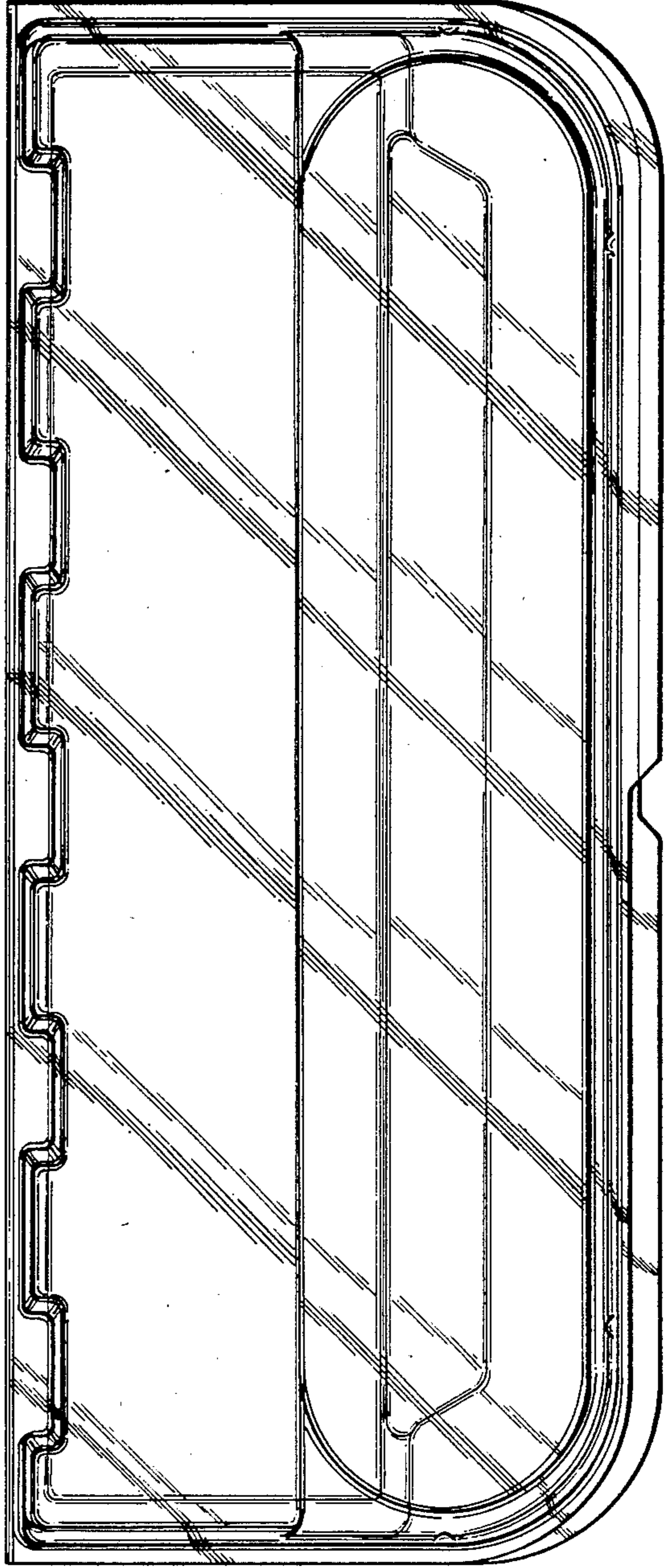


FIG-6



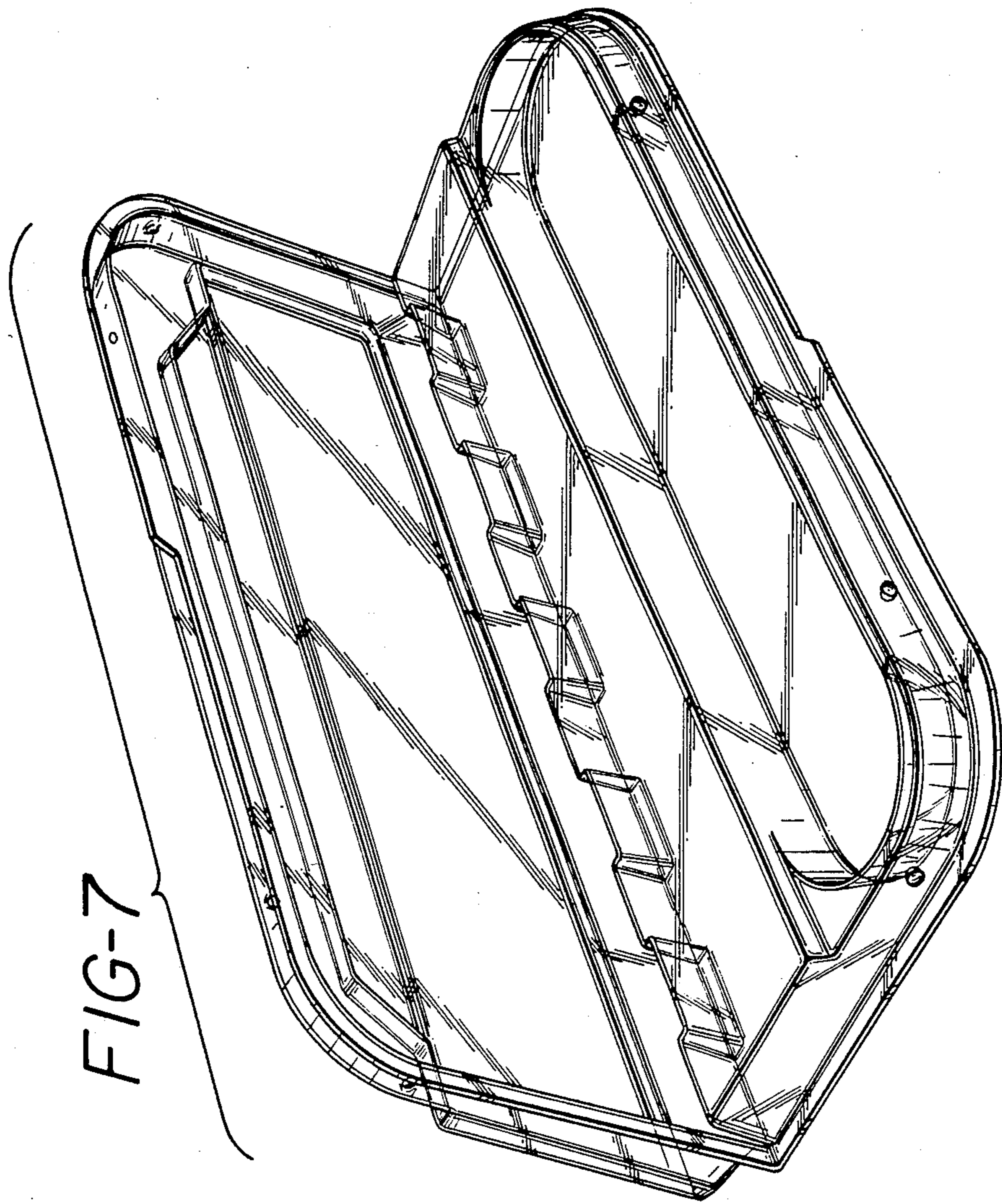


FIG-7