

- [54] CLAMPING STRAP FOR ELECTRICAL WIRE
- [75] Inventor: Mamoru Ono, Toyota, Japan
- [73] Assignee: Yazaki Corporation, Japan
- [**] Term: 14 Years
- [21] Appl. No.: 108,301
- [22] Filed: Oct. 13, 1987
- [52] U.S. Cl. D8/396; D8/382
- [58] Field of Search D8/382, 394-396;
24/16 PB; 248/71, 74.3

[56] References Cited

U.S. PATENT DOCUMENTS

D. 273,361	4/1984	Suzuki	D8/394
D. 298,914	12/1988	Thomas	D8/394
3,463,427	8/1969	Fisher	248/74.3
3,550,219	12/1970	Van Buren, Jr.	248/74.3
3,819,139	6/1974	Jemison	24/16 PB
4,705,245	11/1987	Osada	24/16 PB
4,735,387	4/1988	Hirano et al.	248/74.3
4,766,651	8/1988	Kobayashi et al.	24/16 PB

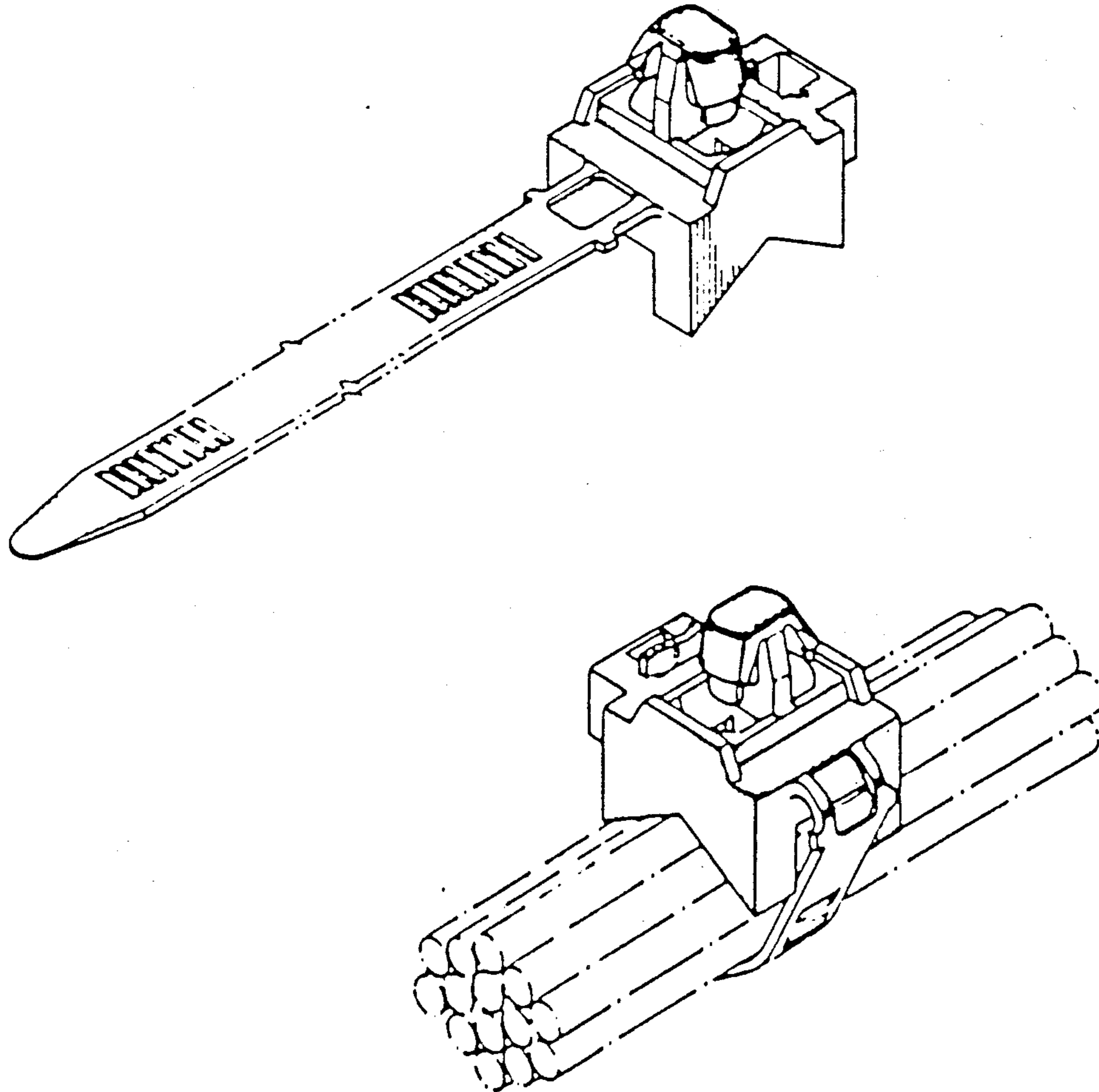
Primary Examiner—B. J. Bullock
Attorney, Agent, or Firm—Jones, Askew & Lunsford

[57] CLAIM

The ornamental design for a clamping strap for electrical wire, as shown and described.

DESCRIPTION

FIG. 1 is a perspective view of a clamping strap for electrical wires showing my new design, broken away for convenience of illustration;
FIG. 2 is a front elevational view thereof;
FIG. 3 is a right elevational view thereof;
FIG. 4 is a top plan view thereof;
FIG. 5 is a bottom plan view thereof;
FIG. 6 is a rear elevational view thereof;
FIG. 7 is a sectional view taken in the direction of the arrows on line 7—7 of FIG. 3;
FIG. 8 is a sectional view taken in the direction of the arrows on line 8—8 of FIG. 2;
FIG. 9 is a perspective view in the position of use, the wires being shown in broken lines for illustrative purposes only.



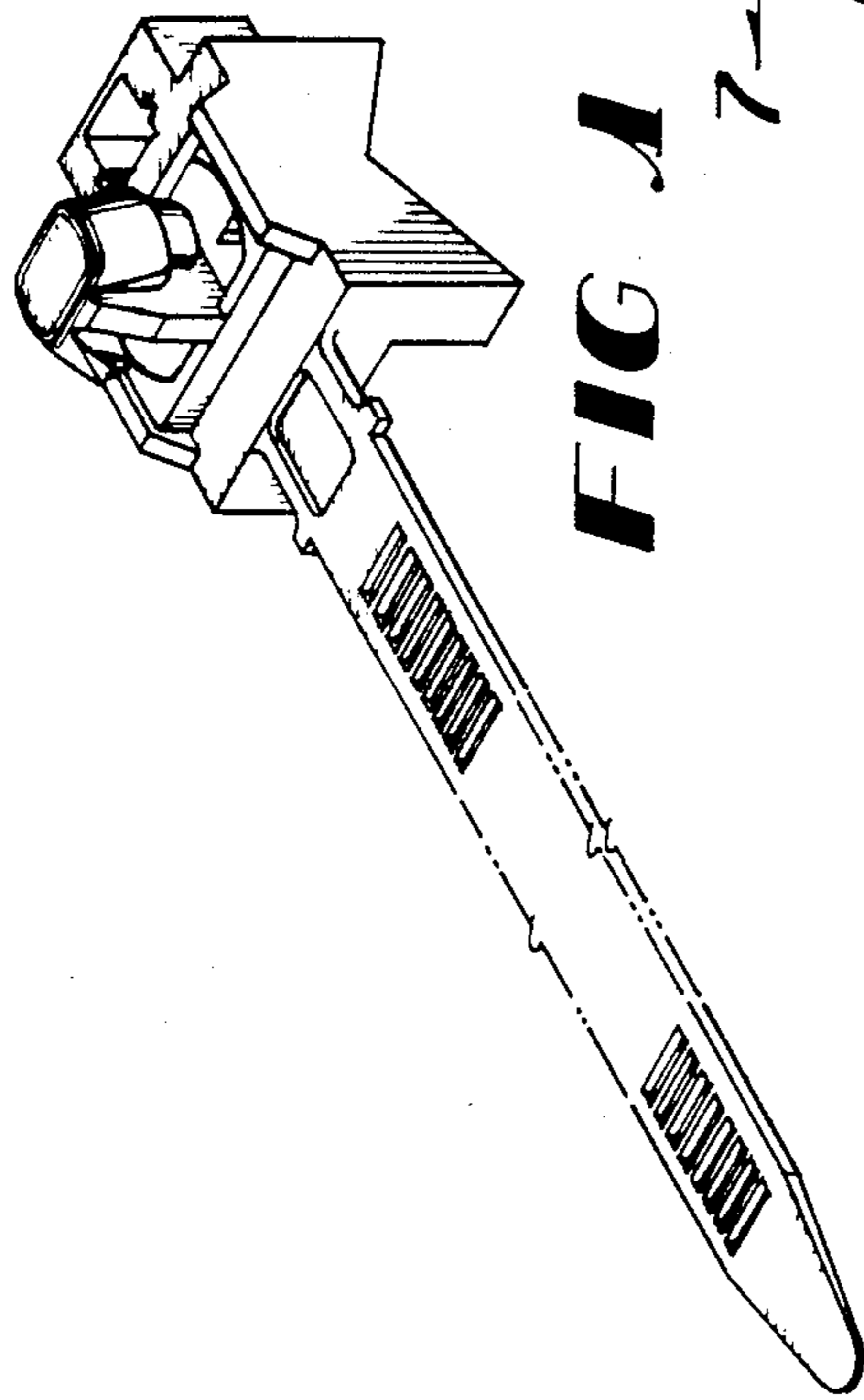


FIG 1

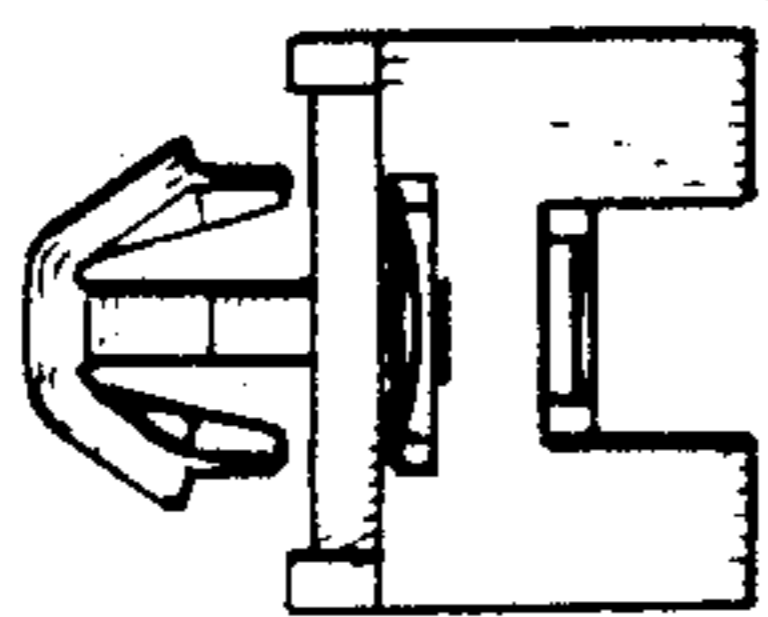


FIG 2

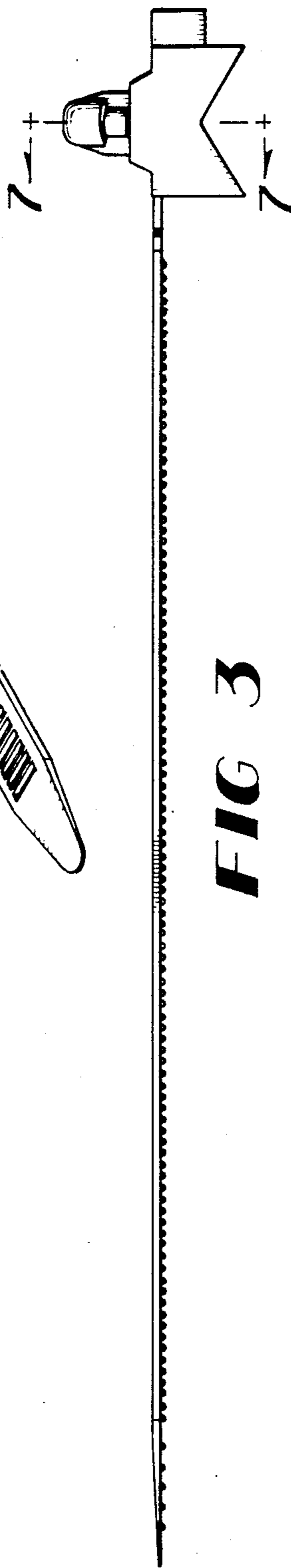


FIG 3

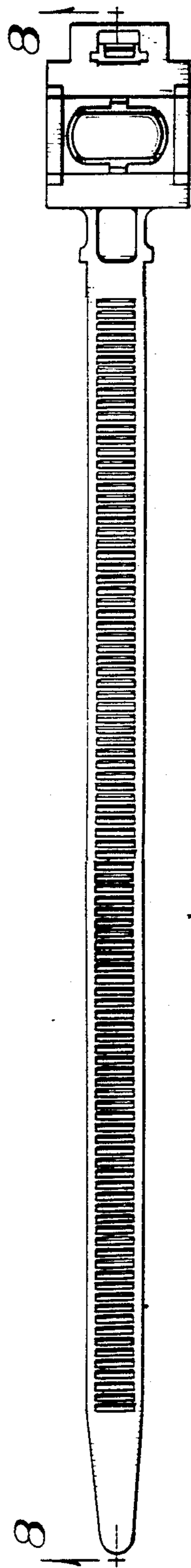


FIG 4

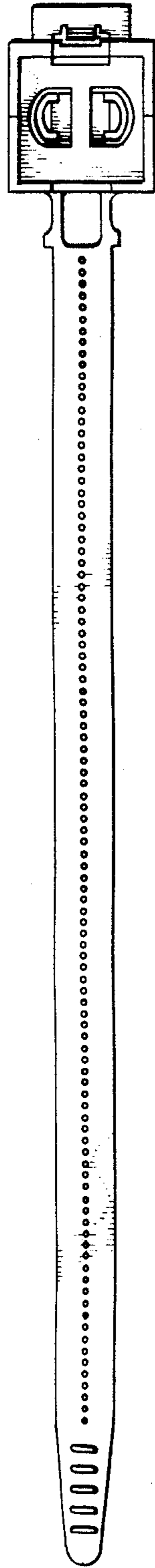


FIG 5

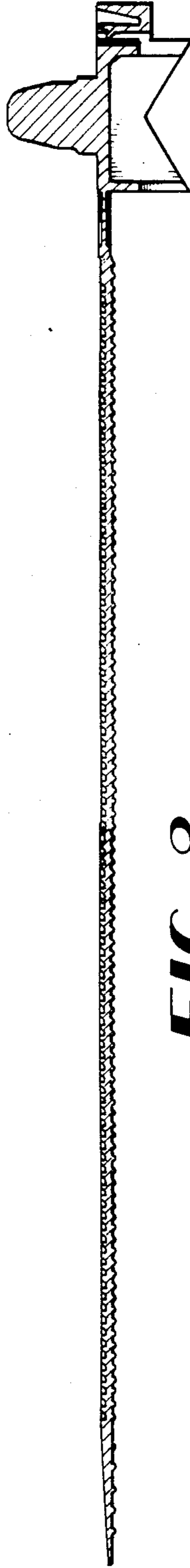


FIG 8



FIG 6

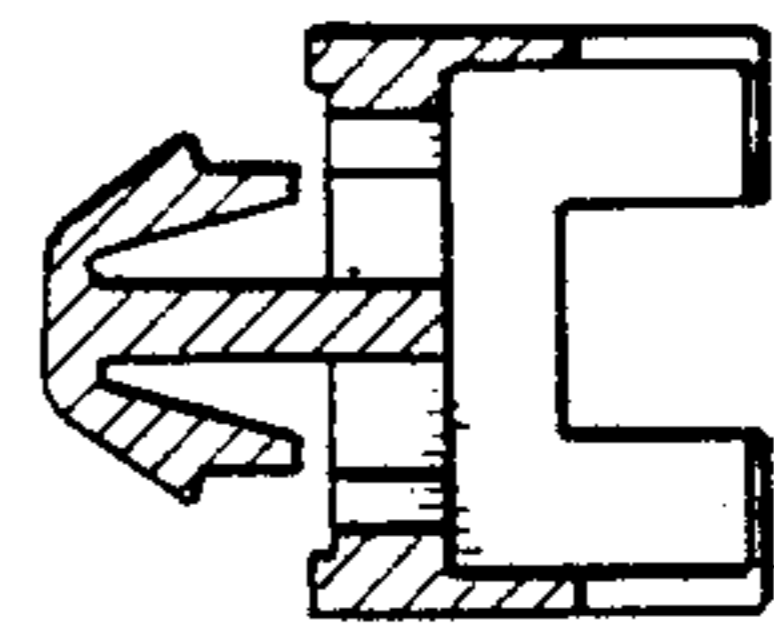


FIG 7

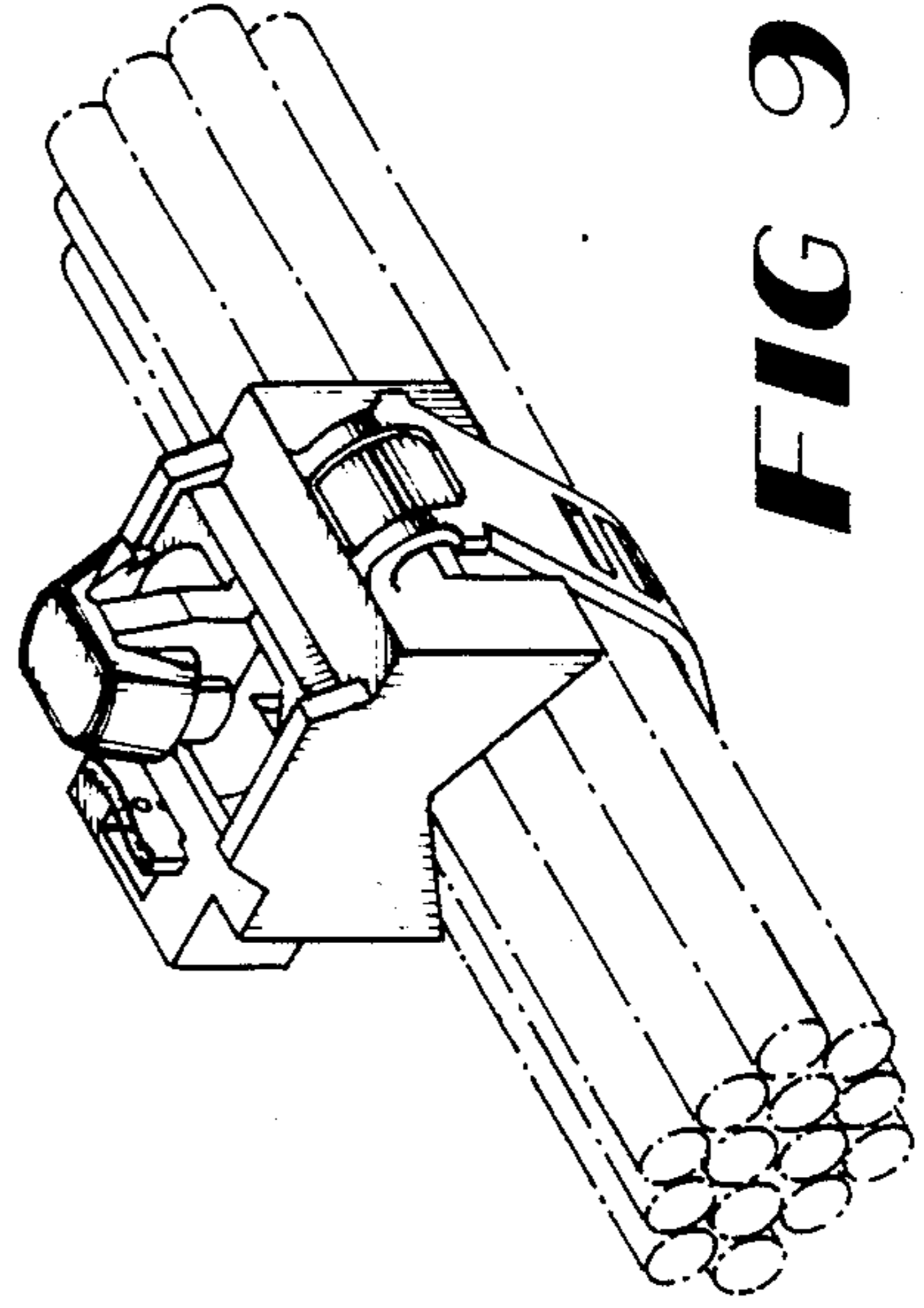


FIG 9