

[54] **CORDLESS SCREWDRIVER**

- [75] **Inventor: Ronald Emmerling, New City, N.Y.**
[73] **Assignee: International Consumer Brands, Trumbull, Conn.**
[**] **Term: 14 Years**
[21] **Appl. No.: 137,472**
[22] **Filed: Dec. 23, 1987**

Related U.S. Application Data

- [63] Continuation-in-part of Ser. No. 86,716, Aug. 21, 1987.
[52] **U.S. Cl. D8/61; D4/199**
[58] **Field of Search D8/30, 61, 62, 82, 83; D7/139; D4/100, 101; D19/53; 81/54, 57.11, 57.13, 57.14, 57.26; 173/163; 310/50**

[56] **References Cited**

U.S. PATENT DOCUMENTS

D. 210,066	2/1968	Johnson	D4/101
D. 282,267	1/1986	Coyne	D4/101 X
D. 295,601	5/1988	Svetlik	D8/61
D. 296,863	7/1988	Vigneau	D8/30
D. 301,496	6/1989	Yonesawa et al.	D8/61 X
4,759,240	7/1988	Lin	81/54 X

OTHER PUBLICATIONS

"Instruction Manual—Cordless Reversible Folding Screwdriver" by International Consumer Brands, Inc., 1986, pp. 1 and 7.
"Care and Operating Instructions—Heavy Duty Cordless Reversing Screwdriver" by Milwaukee Electric Tool Corporation, publication date unknown, pp. 1, 4-12.

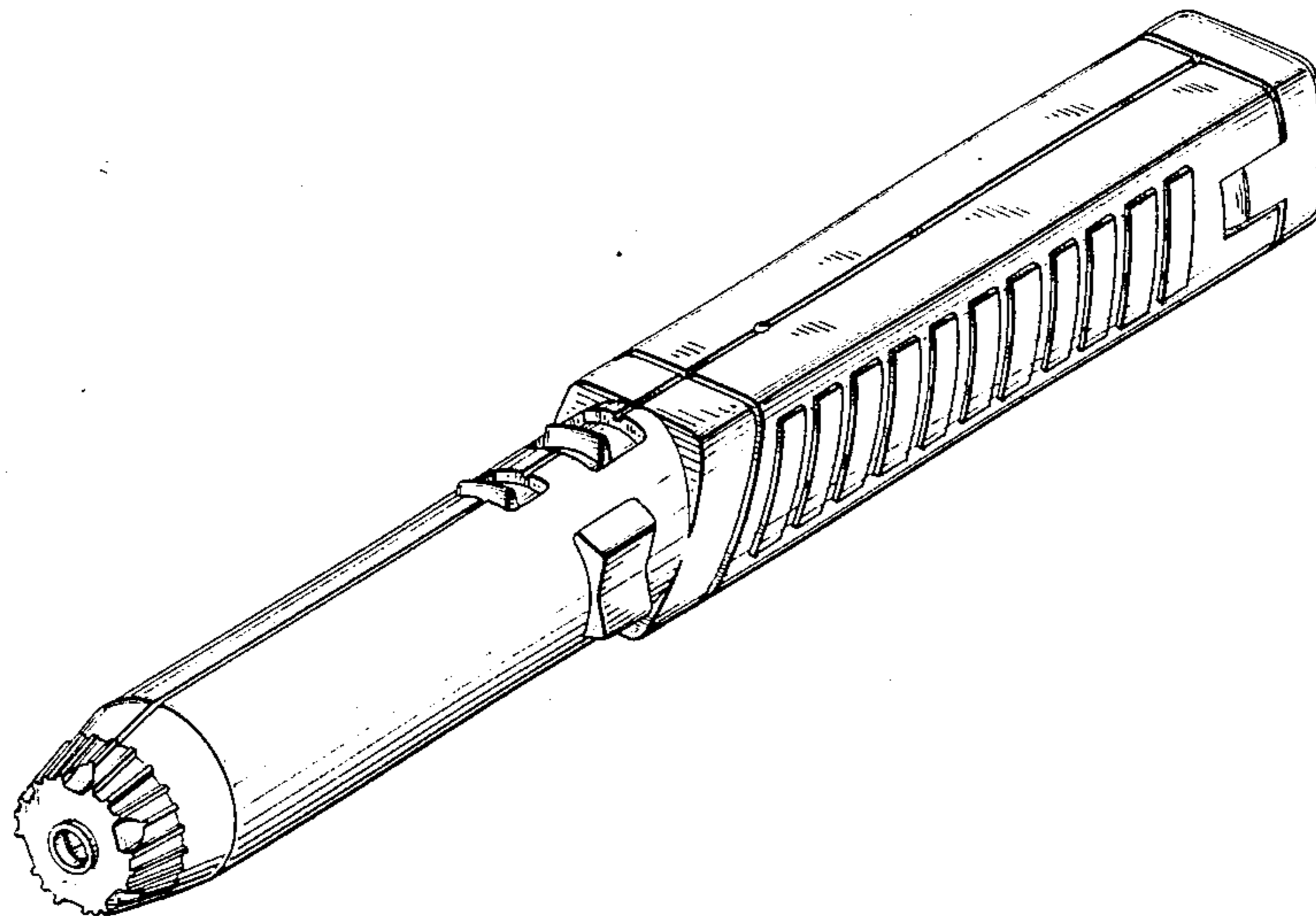
Primary Examiner—Winifred E. Herrmann
Assistant Examiner—John Warchol

[57] **CLAIM**

The ornamental design for a cordless screwdriver, as shown and described.

DESCRIPTION

FIG. 1 is a top, front and right side perspective view of a cordless screwdriver showing my new design; FIG. 2 is a front elevational view thereof; FIG. 3 is a top plan view thereof; FIG. 4 is a left side elevational view thereof; FIG. 5 is a bottom plan view thereof; FIG. 6 is a rear elevational view thereof; and FIG. 7 is a right side elevational view thereof with the grip shown in its angled position.



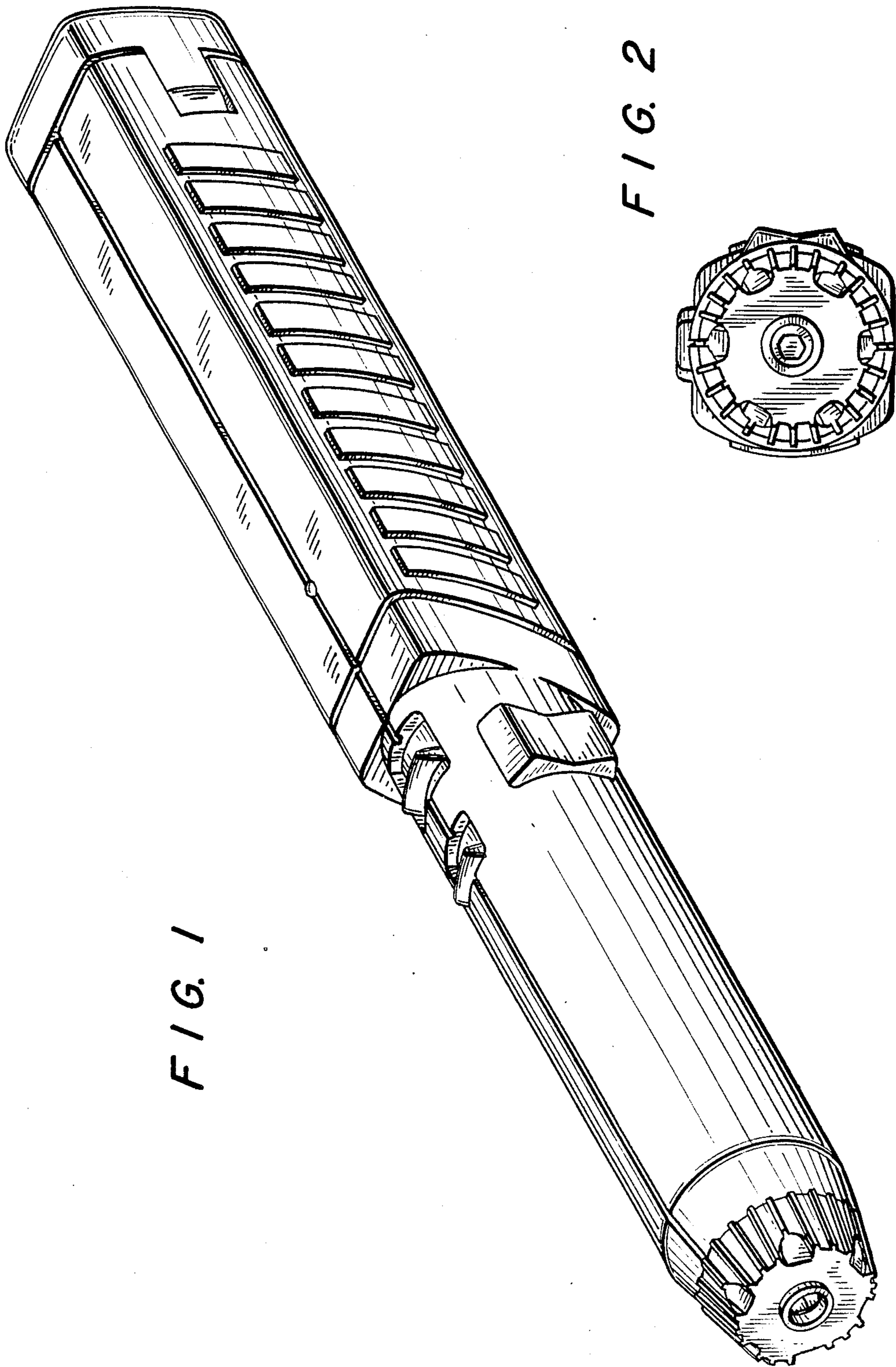


FIG. 1

FIG. 2

FIG. 3

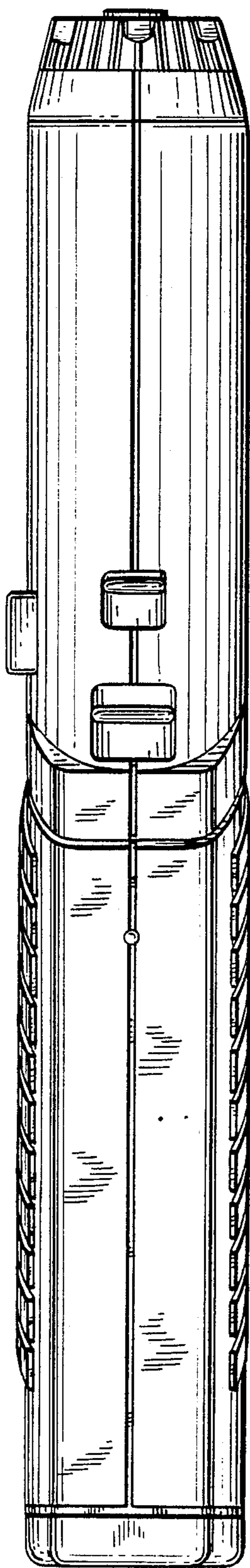


FIG. 4

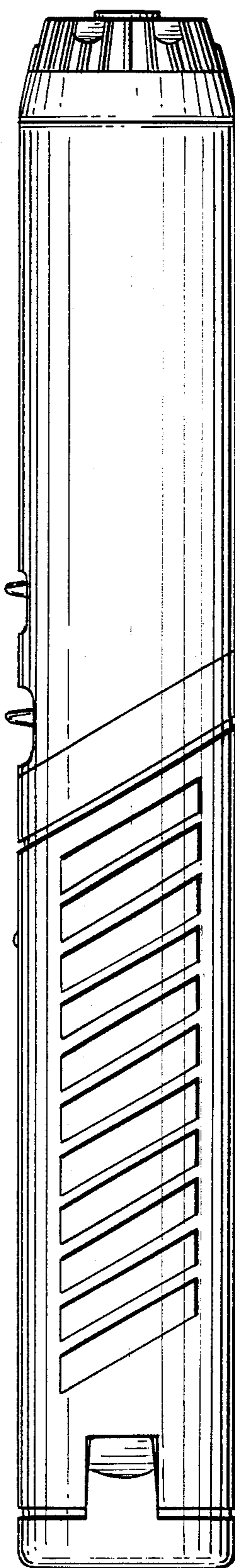


FIG. 5

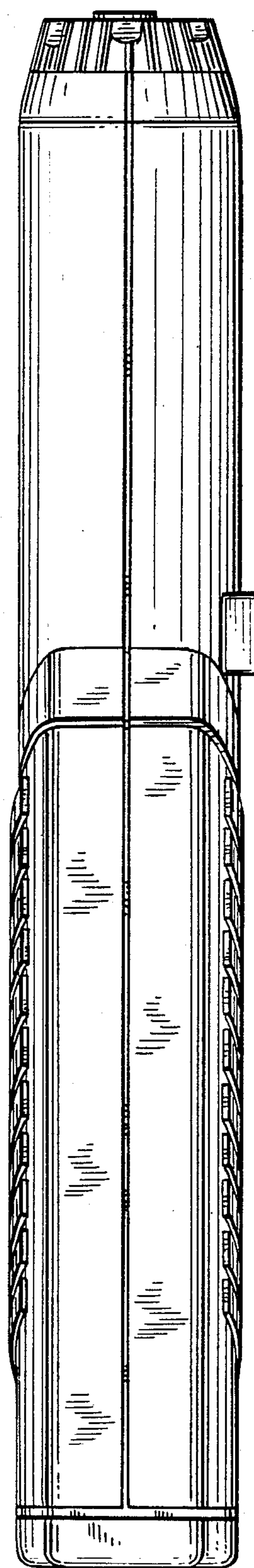


FIG. 7

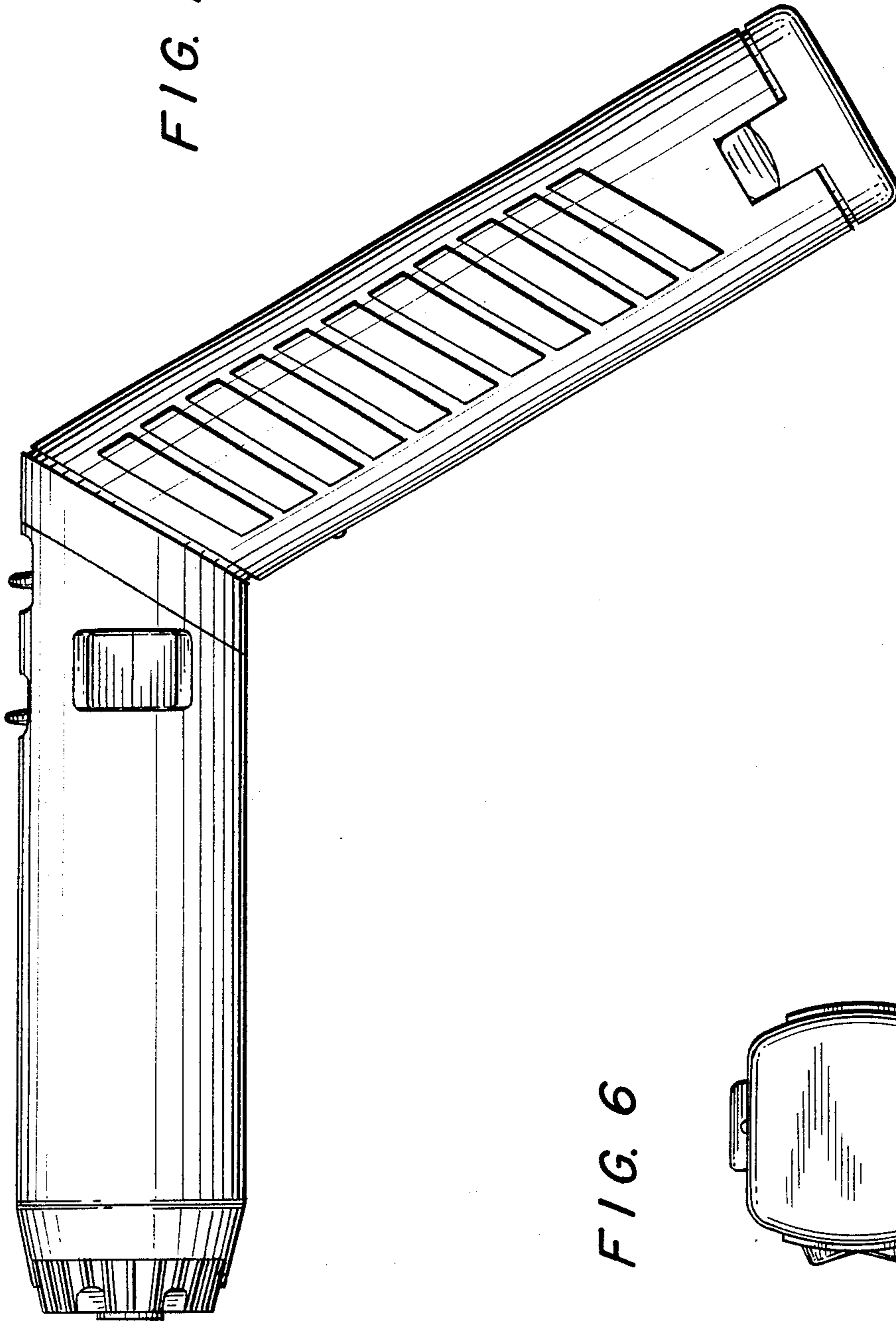


FIG. 6

