

[54] BOTTLE CAP SNIPPER

[76] Inventor: A. Victor Mastrella, 709 Dearborn Ave., Newbury Park, Calif. 91320

[**] Term: 14 Years

[21] Appl. No.: 136,243

[22] Filed: Dec. 21, 1987

[52] U.S. Cl. D8/33; 30/2; 30/278

[58] Field of Search D8/18, 33, 40; 81/3.07; 7/151; 30/1.5, 2, 278

[56] References Cited

U.S. PATENT DOCUMENTS

D. 266,480 10/1982 Reel D8/40

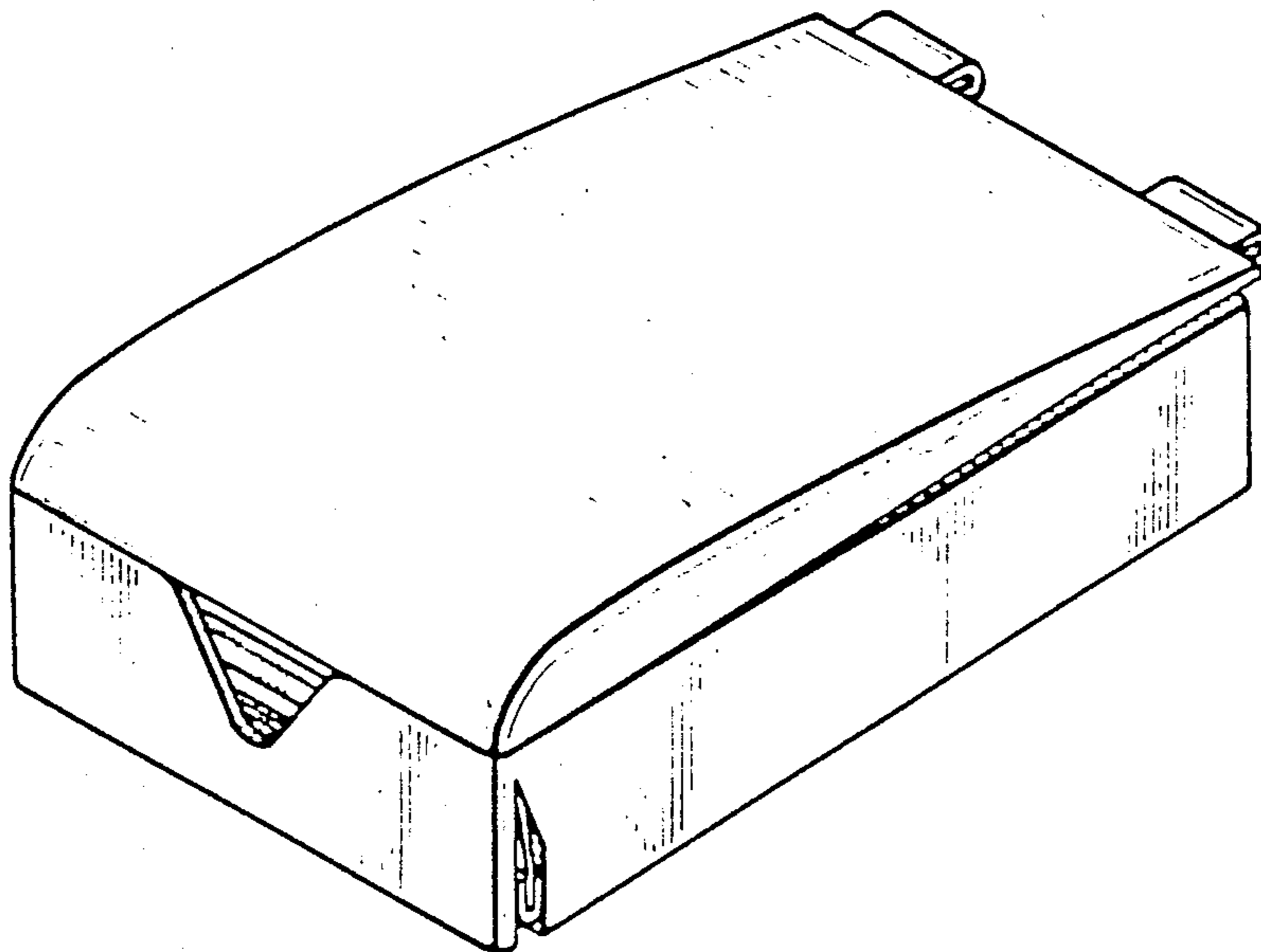
Primary Examiner—Bernard Ansher
Assistant Examiner—Terry A. Pfeffer
Attorney, Agent, or Firm—Jessup, Beecher & Slehofer

[57] CLAIM

The ornamental design for a bottle cap snipper, as shown and described.

DESCRIPTION

FIG. 1 is an isometric view of a bottle cap snipper showing my new design;
FIG. 2 is a front elevational view thereof;
FIG. 3 is a right side elevational view thereof, the left side being identical;
FIG. 4 is a rear elevational view thereof;
FIG. 5 is a top plan view thereof;
FIG. 6 is a bottom plan view thereof; and
FIG. 7 is an isometric view thereof in an open position.



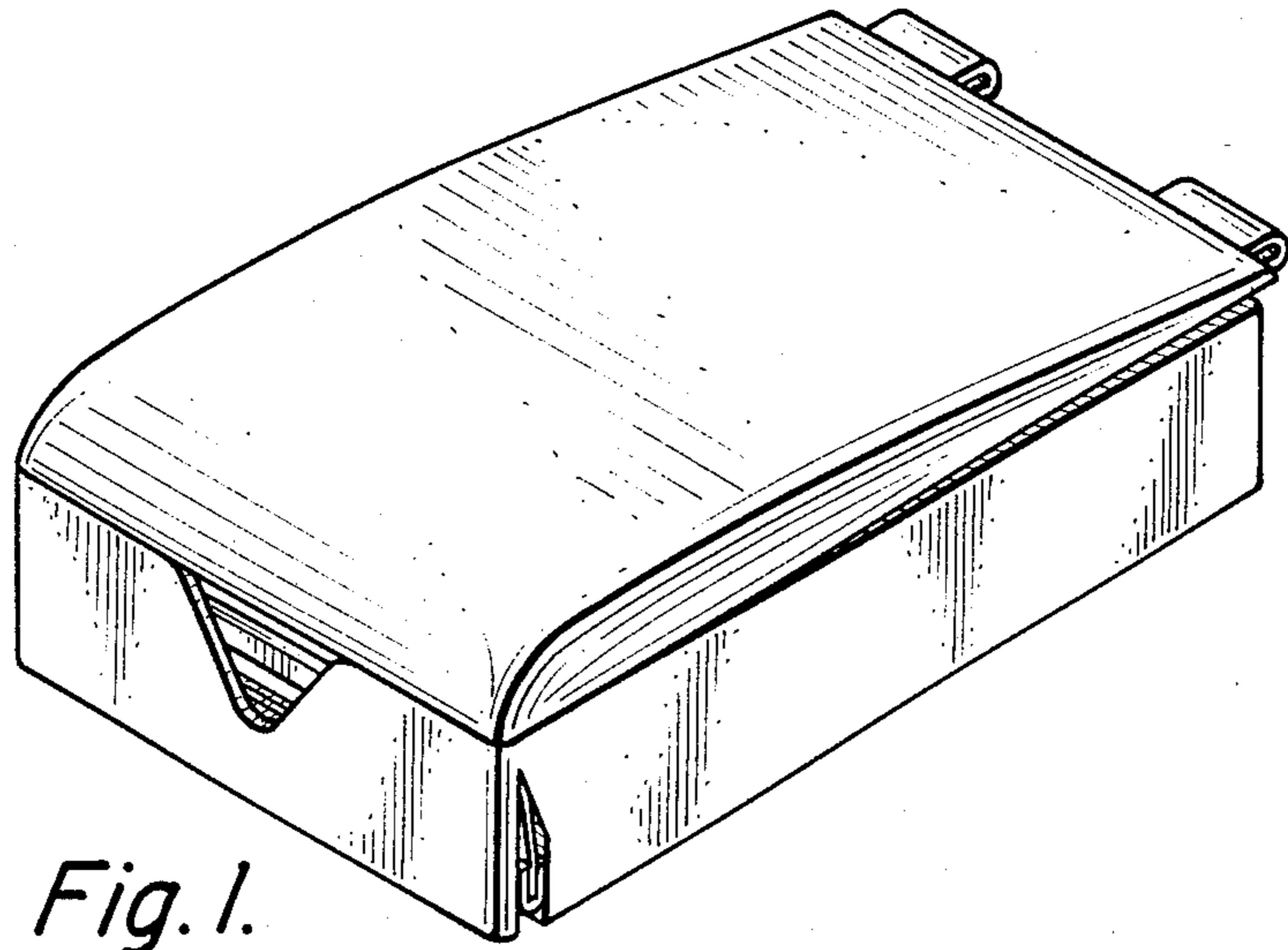


Fig. 1.

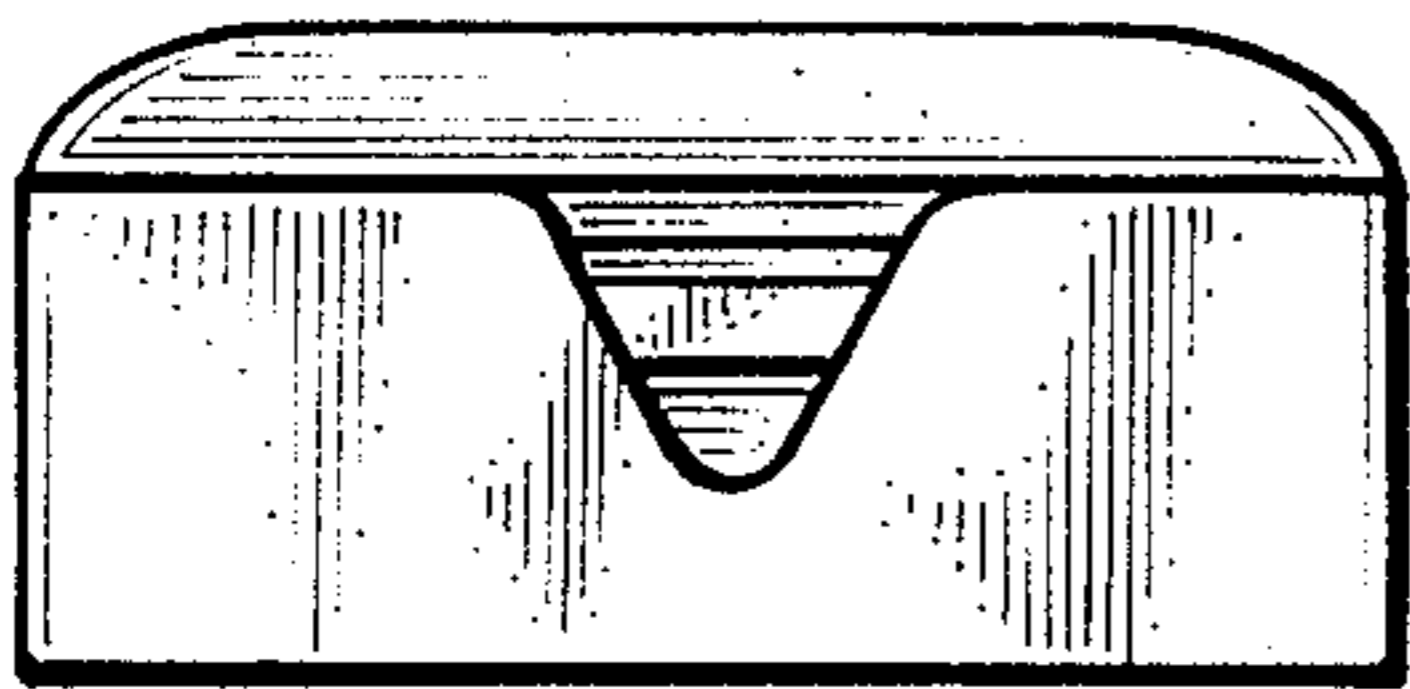


Fig. 2.

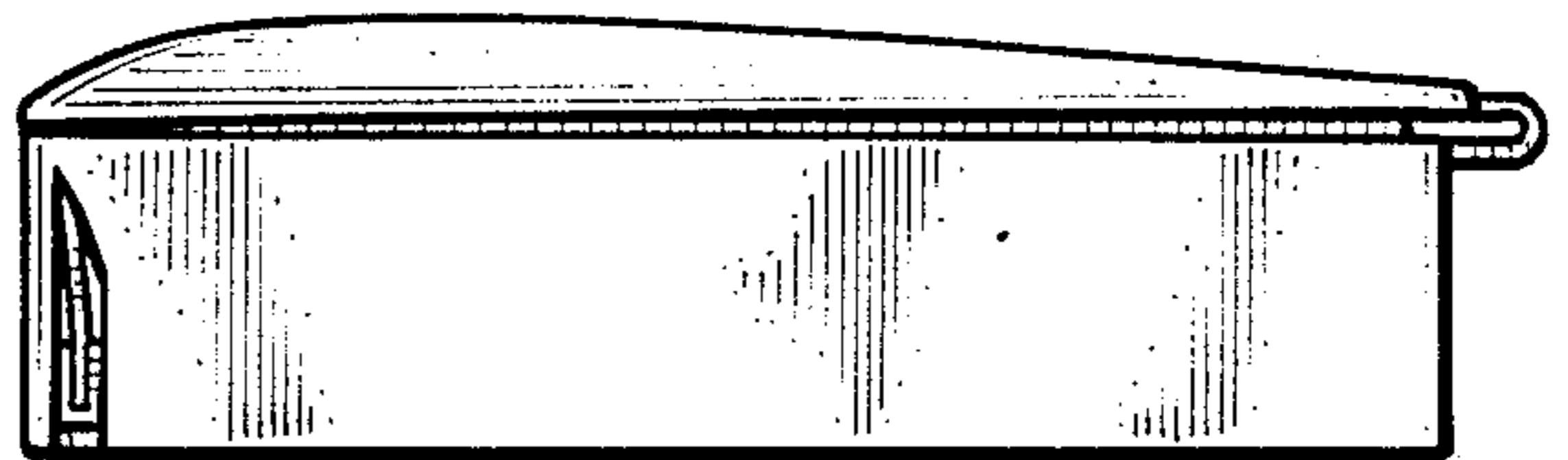


Fig. 3.

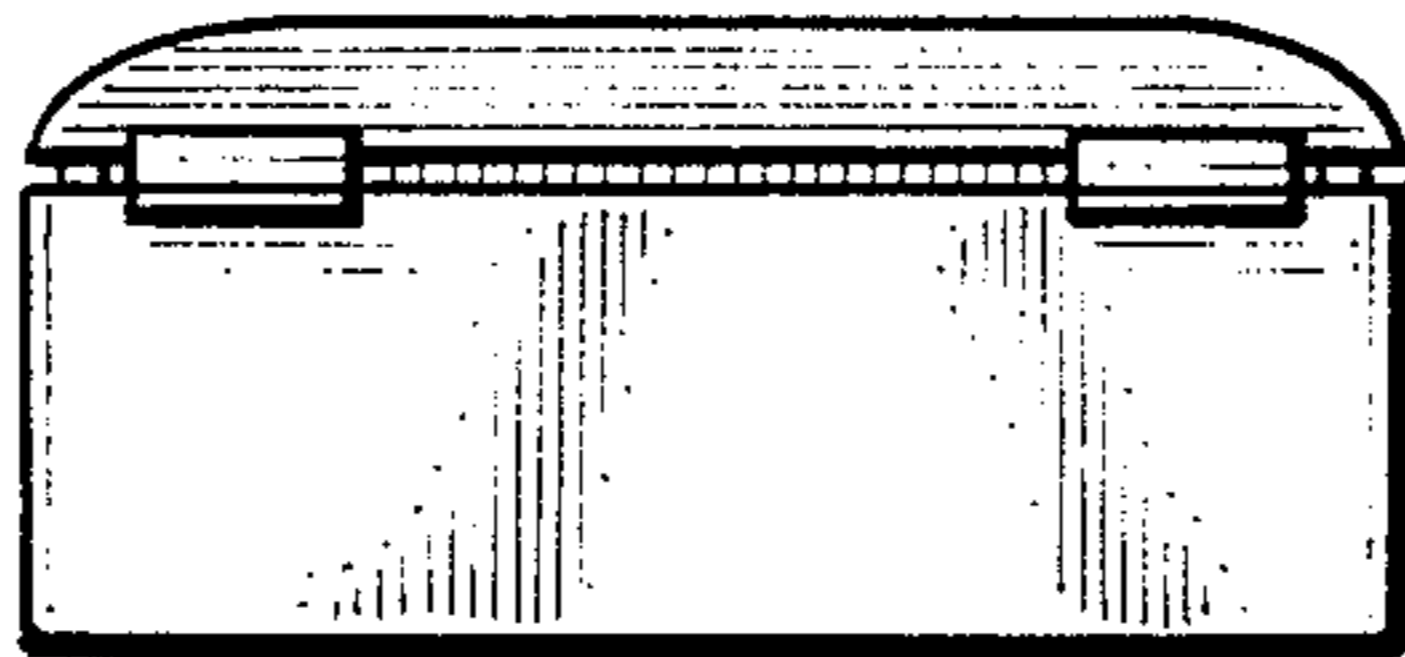


Fig. 4.

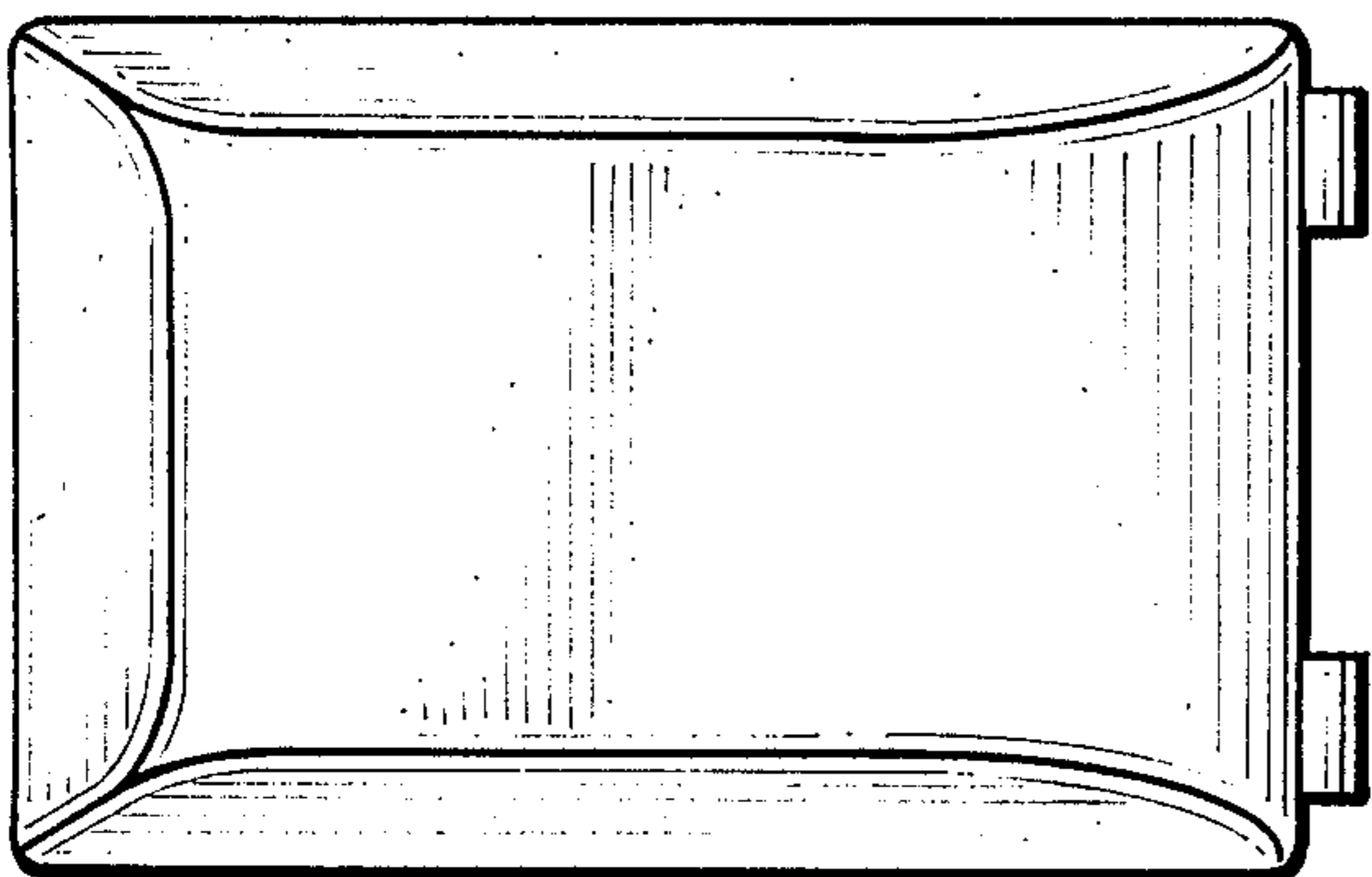


Fig. 5.

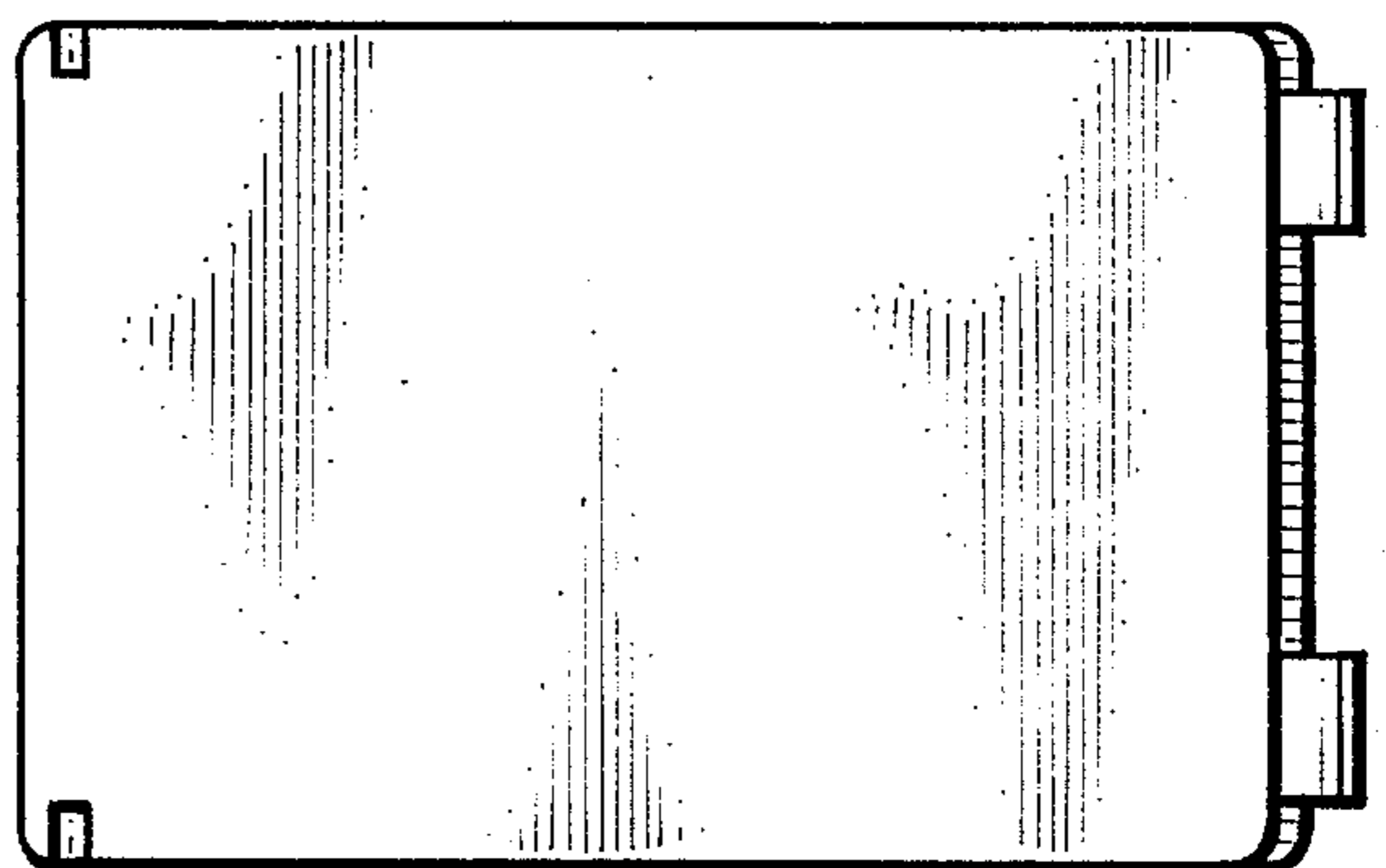


Fig. 6.

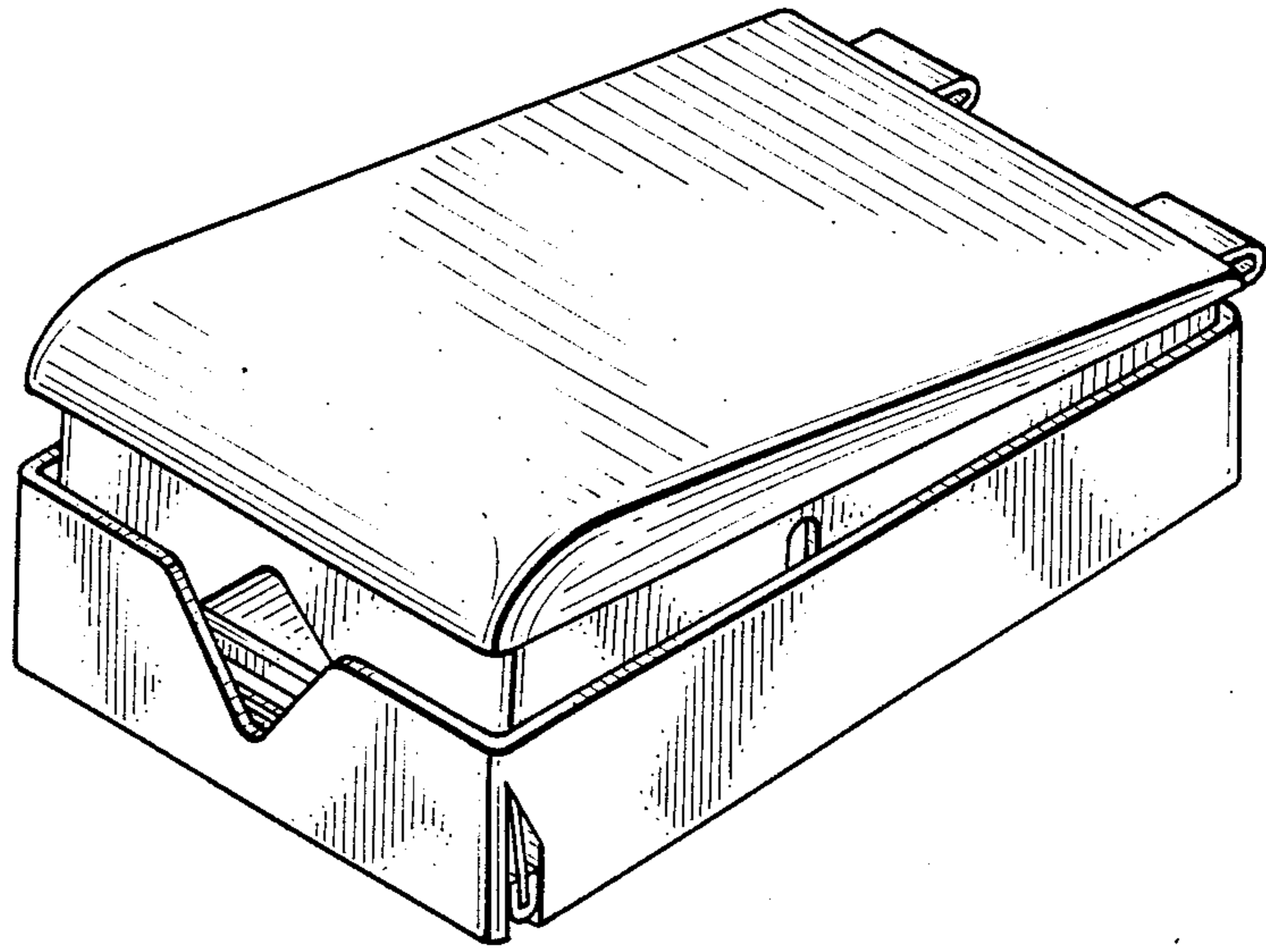


Fig. 7.