

[54] ICE CREAM MIXER

[75] Inventors: Frank P. Barnard, Olmsted Falls; John K. Barnard, Bay Village, both of Ohio

[73] Assignee: Vita-Mix Corporation, Cleveland, Ohio

[**] Term: 14 Years

[21] Appl. No.: 887,714

[22] Filed: Jul. 21, 1986

[52] U.S. Cl. D7/379; D7/376; D15/82

[58] Field of Search D7/368-374, D7/376-384; 386, 300, 306; D15/80, 82; 366/197-203

[56] References Cited

U.S. PATENT DOCUMENTS

- D. 231,391 4/1974 Carvel D7/379
- D. 268,840 5/1983 Reed D15/82 X
- D. 285,082 8/1986 Verkler D15/82

OTHER PUBLICATIONS

Create-A-Taste, manufactured by AMF Wyott, Inc., spec sheet DD-49-10, May 1986.

Jiffy All Purpose Mixer, manufactured by Jiffy Mixer, Tustin, CA, *Independent Restaurants*, p. 88, May 1986.

Primary Examiner—Winifred E. Herrmann

Assistant Examiner—John Warchol

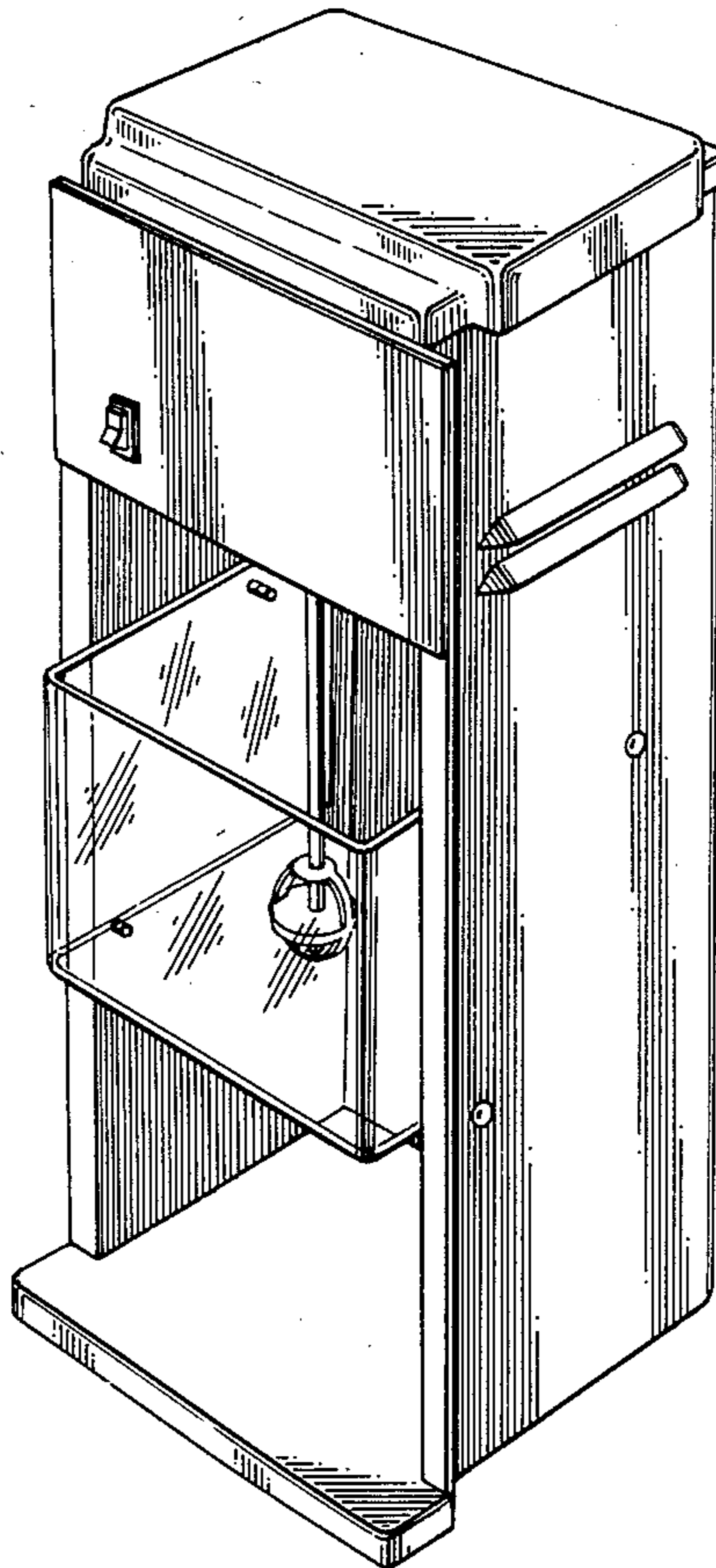
Attorney, Agent, or Firm—Renner, Kenner, Greive, Bobak, Taylor & Weber

[57] CLAIM

The ornamental design for an ice cream mixer, as shown and described.

DESCRIPTION

FIG. 1 is a top, front and right side perspective view of an ice cream mixer showing our new design; FIG. 2 is a front elevational view thereof; FIG. 3 is a bottom plan view thereof; FIG. 4 is a right side elevational view thereof, the side opposite being a mirror image; and FIG. 5 is a rear elevational view thereof.



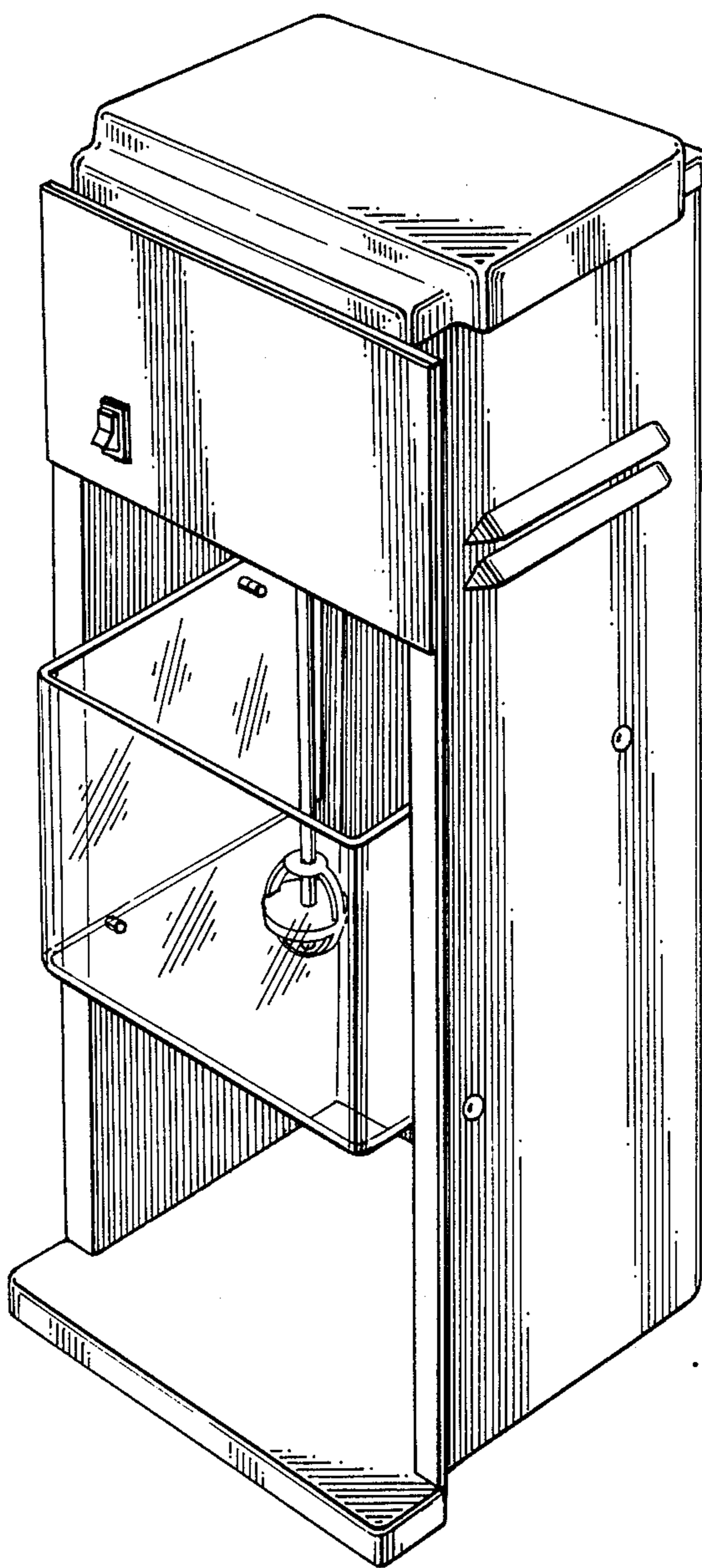


FIG. 1

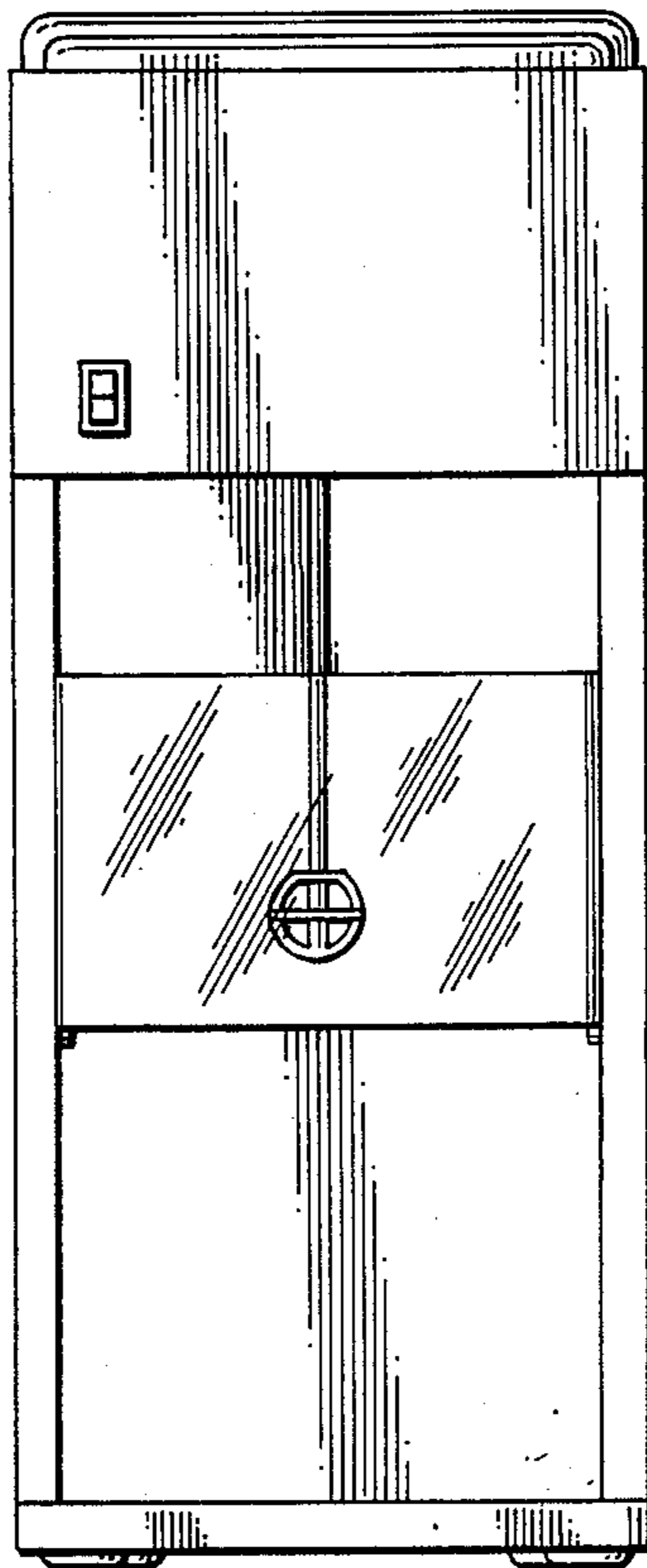


FIG. 2

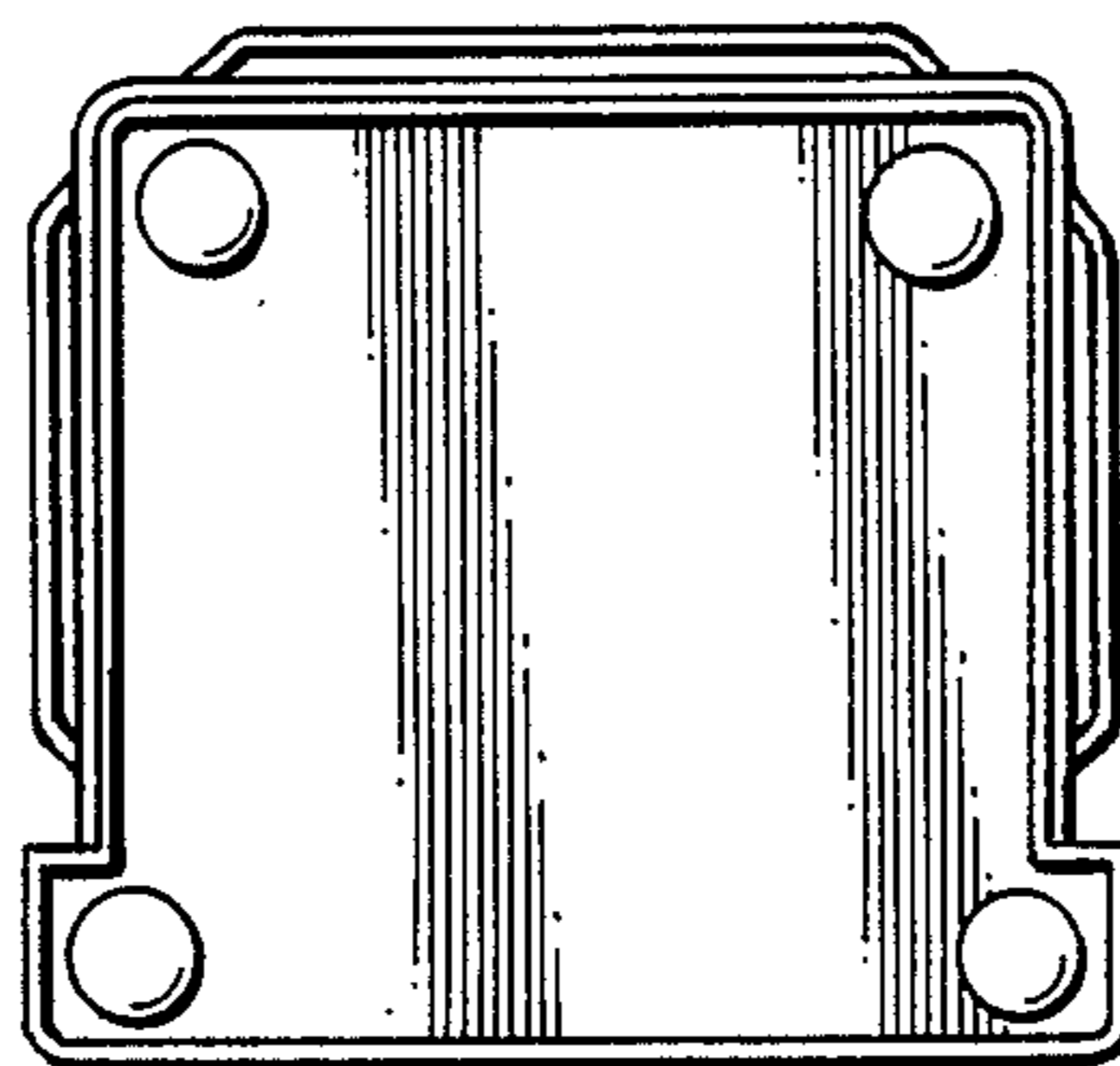


FIG. 3

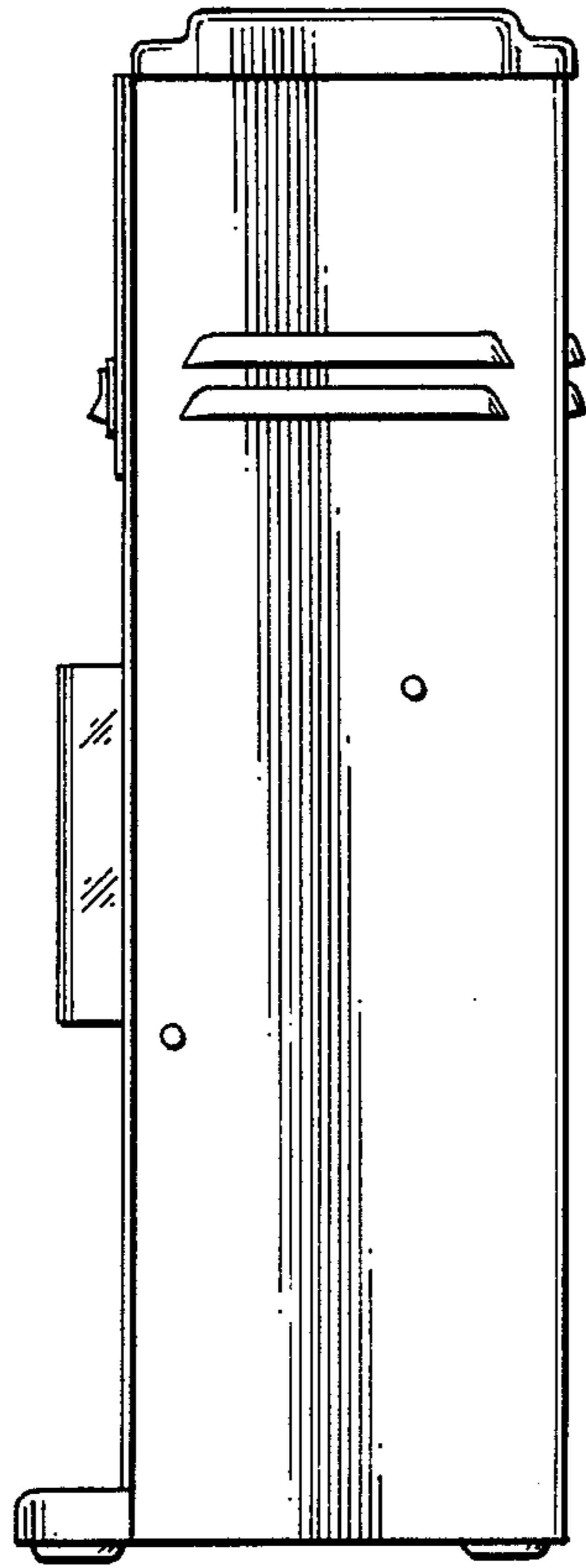


FIG. 4

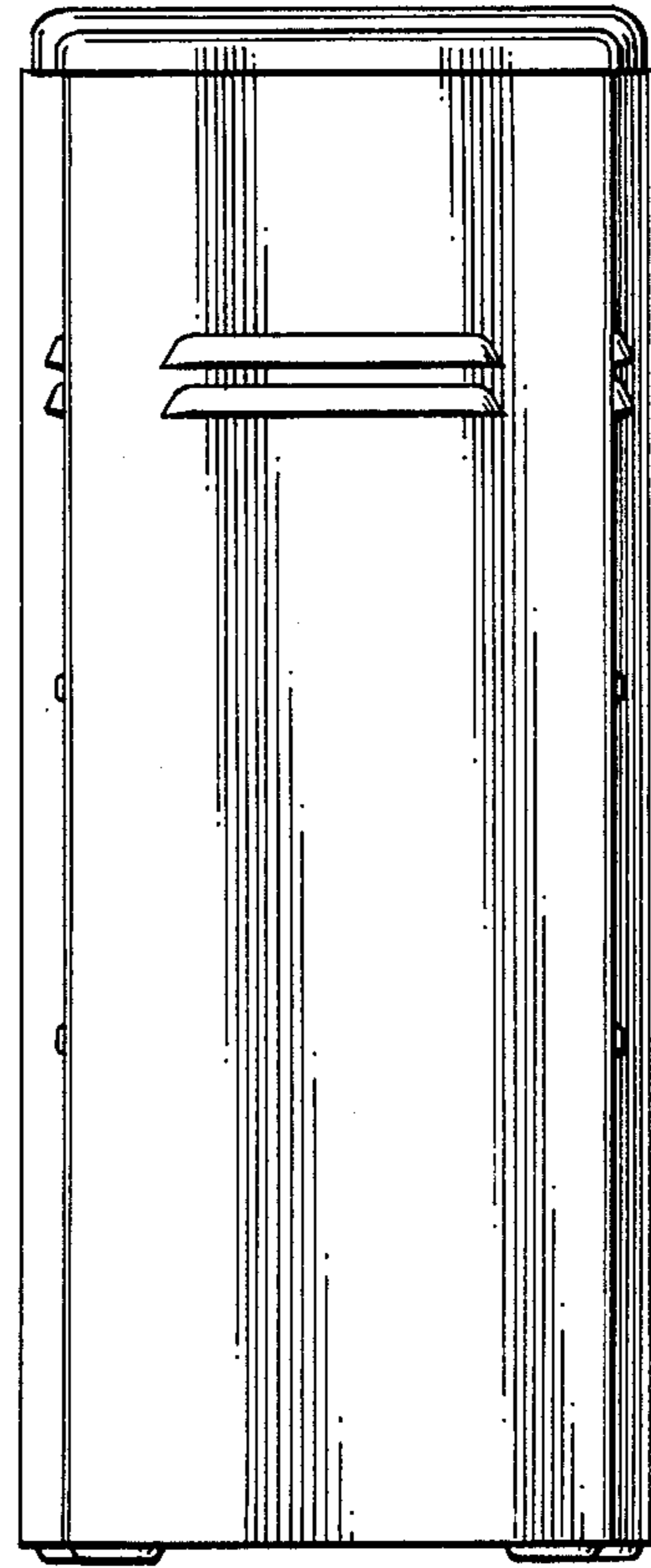


FIG. 5