

[54] FOLDING HOLDER FOR A CHAFING DISH

[76] Inventor: William A. Pearce, Rte. 3, Box 548, Glen Allen, Va. 23060

[\*\*] Term: 14 Years

[21] Appl. No.: 871,665

[22] Filed: Jun. 5, 1986

[52] U.S. Cl. .... D9/366

[58] Field of Search ..... D7/39, 323, 331-332, D7/337, 355, 362, 365-367, 402-403; 431/289, 291, 295; 211/195; 248/150, 152, 174; 126/9 B, 43, 246, 262, 265; 99/448-449

[56] References Cited

U.S. PATENT DOCUMENTS

D. 213,899	4/1969	Rickmeier, Jr. ....	D7/355
D. 252,664	8/1979	Hall .....	D7/332
D. 275,643	9/1984	Petterson .....	D7/356
1,879,837	9/1932	Bierlich .....	D7/366

2,639,704 5/1953 Gilchrist, Jr. .... 126/43  
3,858,495 1/1975 Gotwalt ..... D7/409

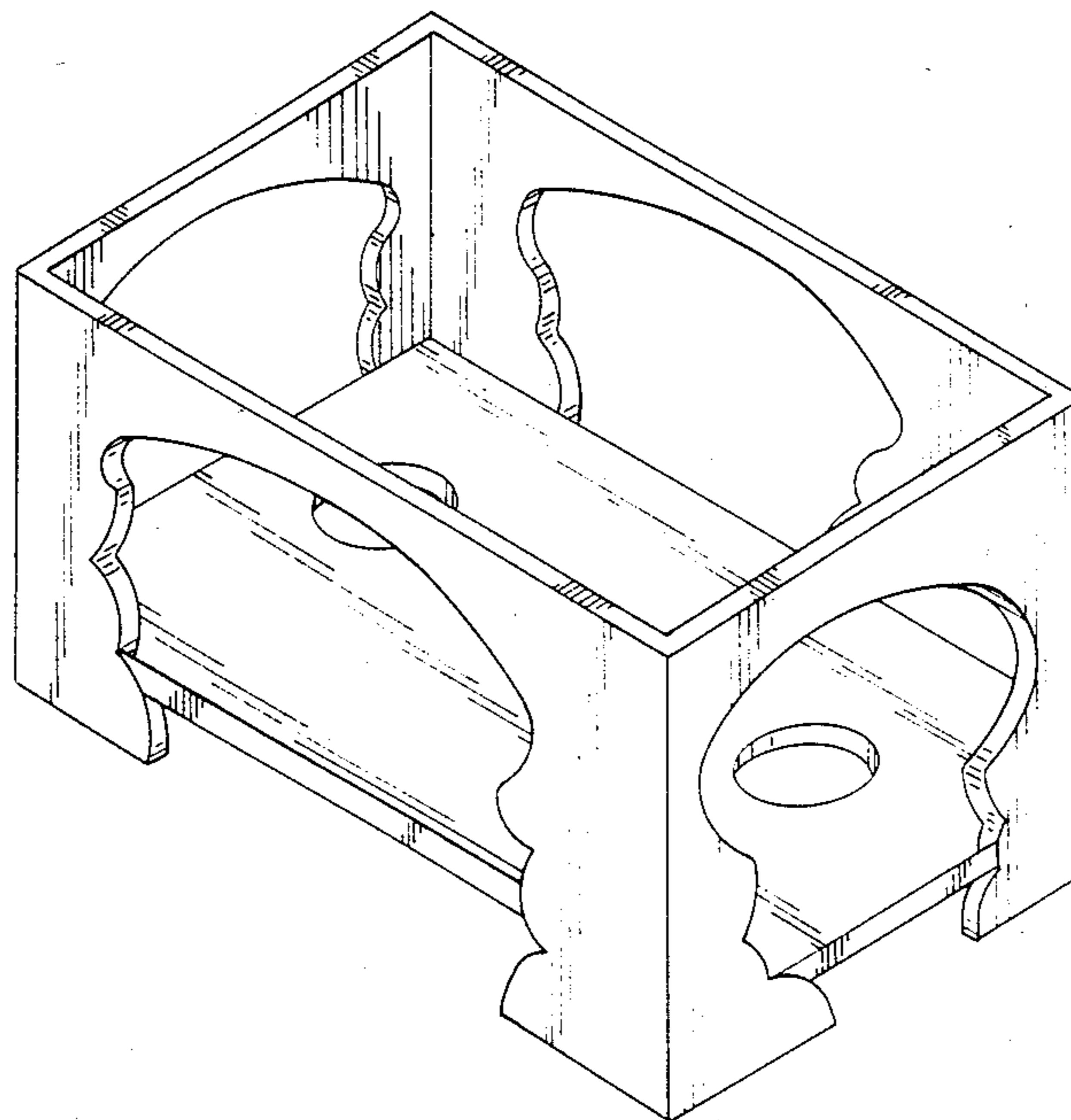
Primary Examiner—Nelson C. Holtje  
Assistant Examiner—Ruth Takemoto  
Attorney, Agent, or Firm—Norman B. Rainer

[57] CLAIM

The ornamental design for a folding holder for a chafing dish, as shown and described.

DESCRIPTION

FIG. 1 is a side elevational view of a folding holder for a chafing dish showing my new design, the opposite side being a mirror image;  
FIG. 2 is an end elevational view thereof, the opposite end being substantially identical;  
FIG. 3 is a top plan view thereof;  
FIG. 4 is an unfolded plan view thereof presented for illustrative purposes only and forming no part of the claimed design; and  
FIG. 5 is a perspective view thereof.



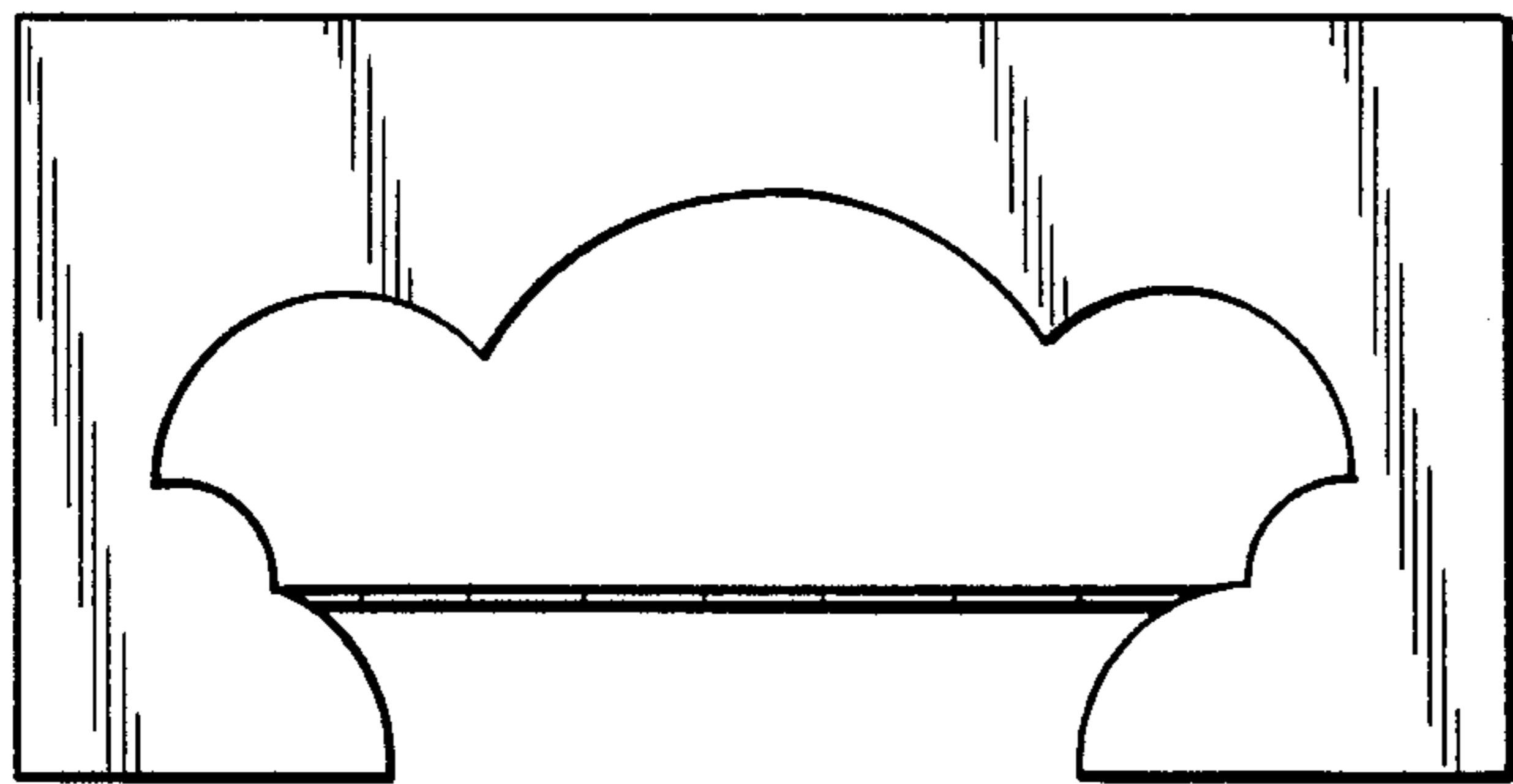


FIG. 1

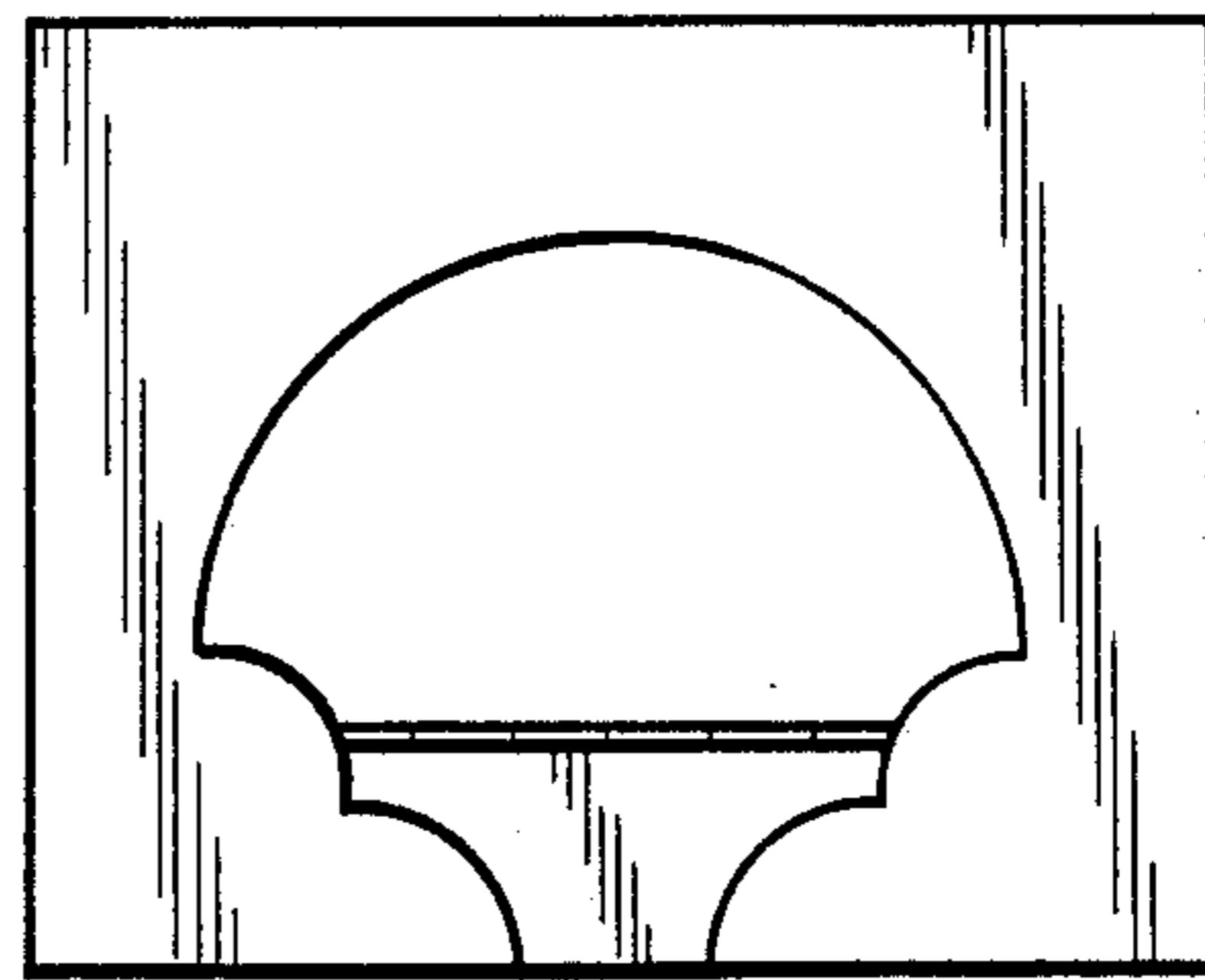


FIG. 2

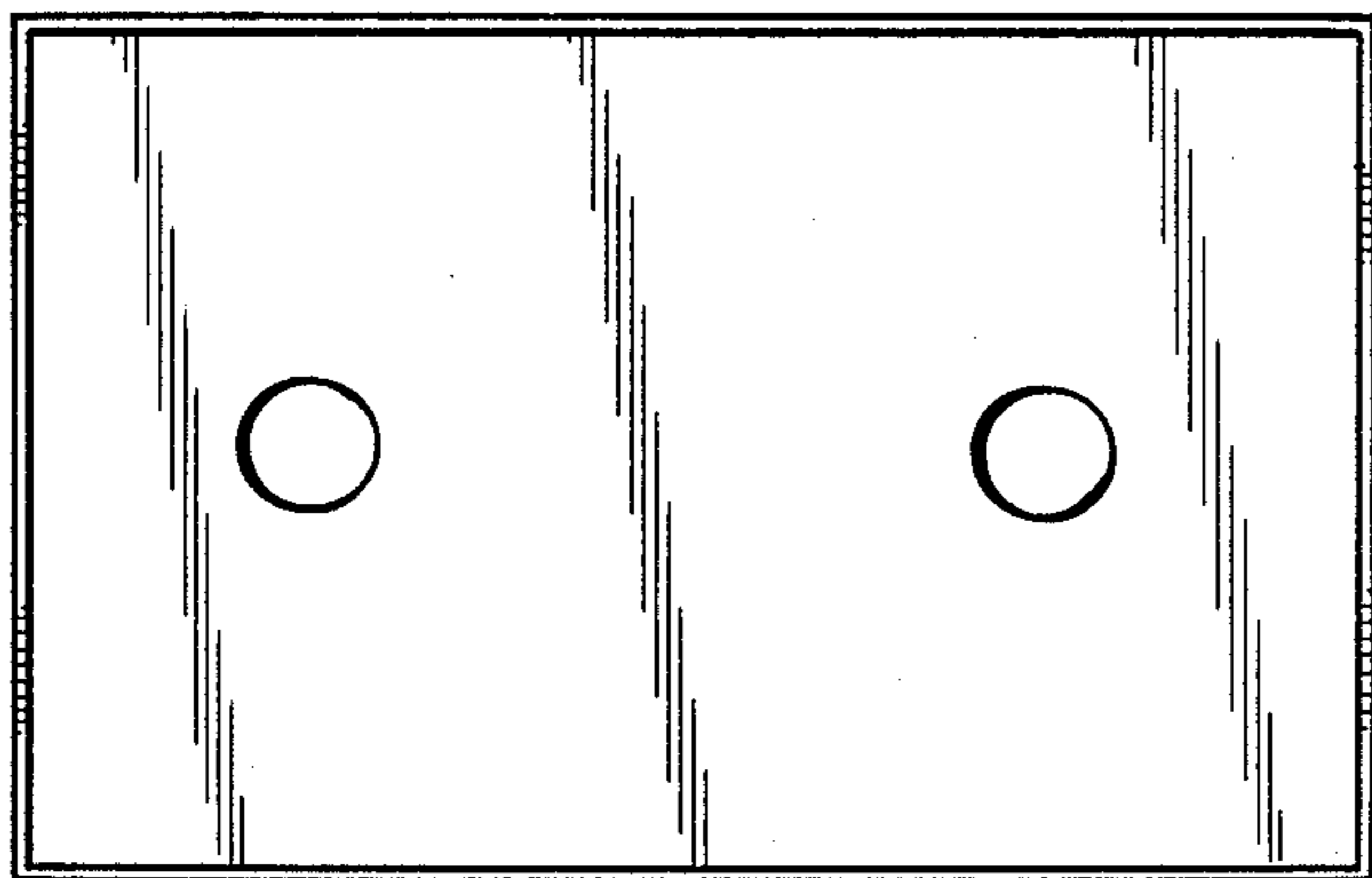


FIG. 3

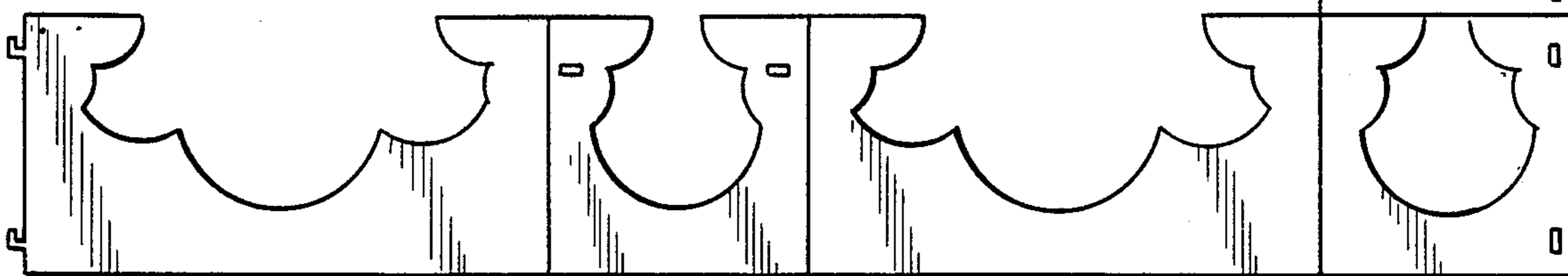
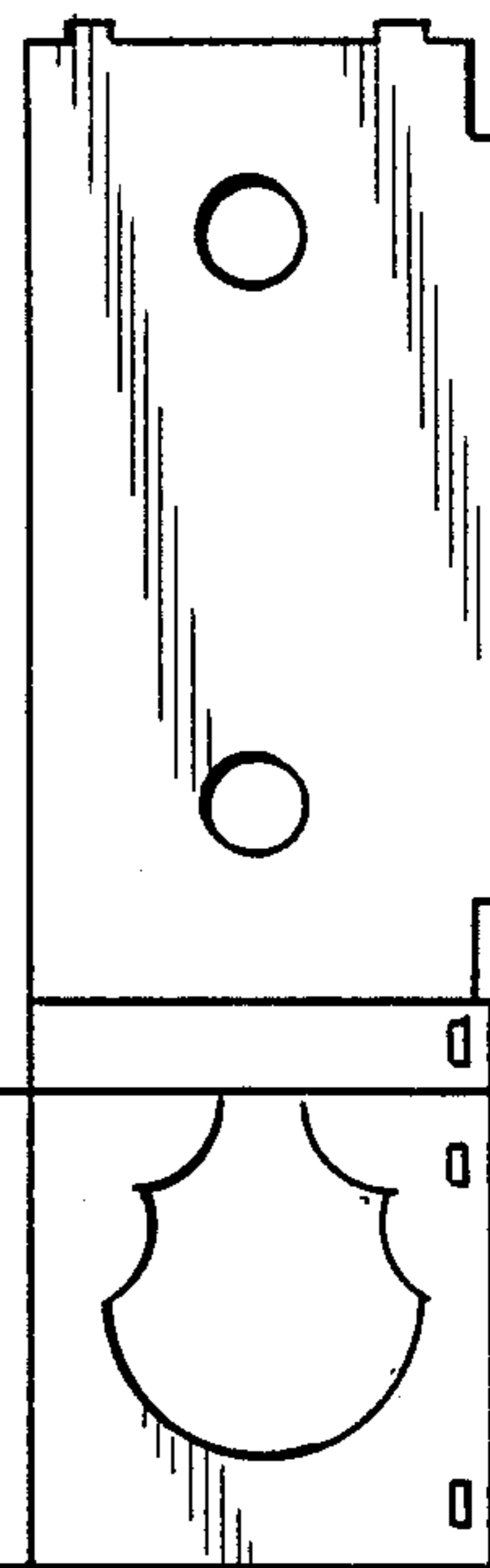


FIG. 4

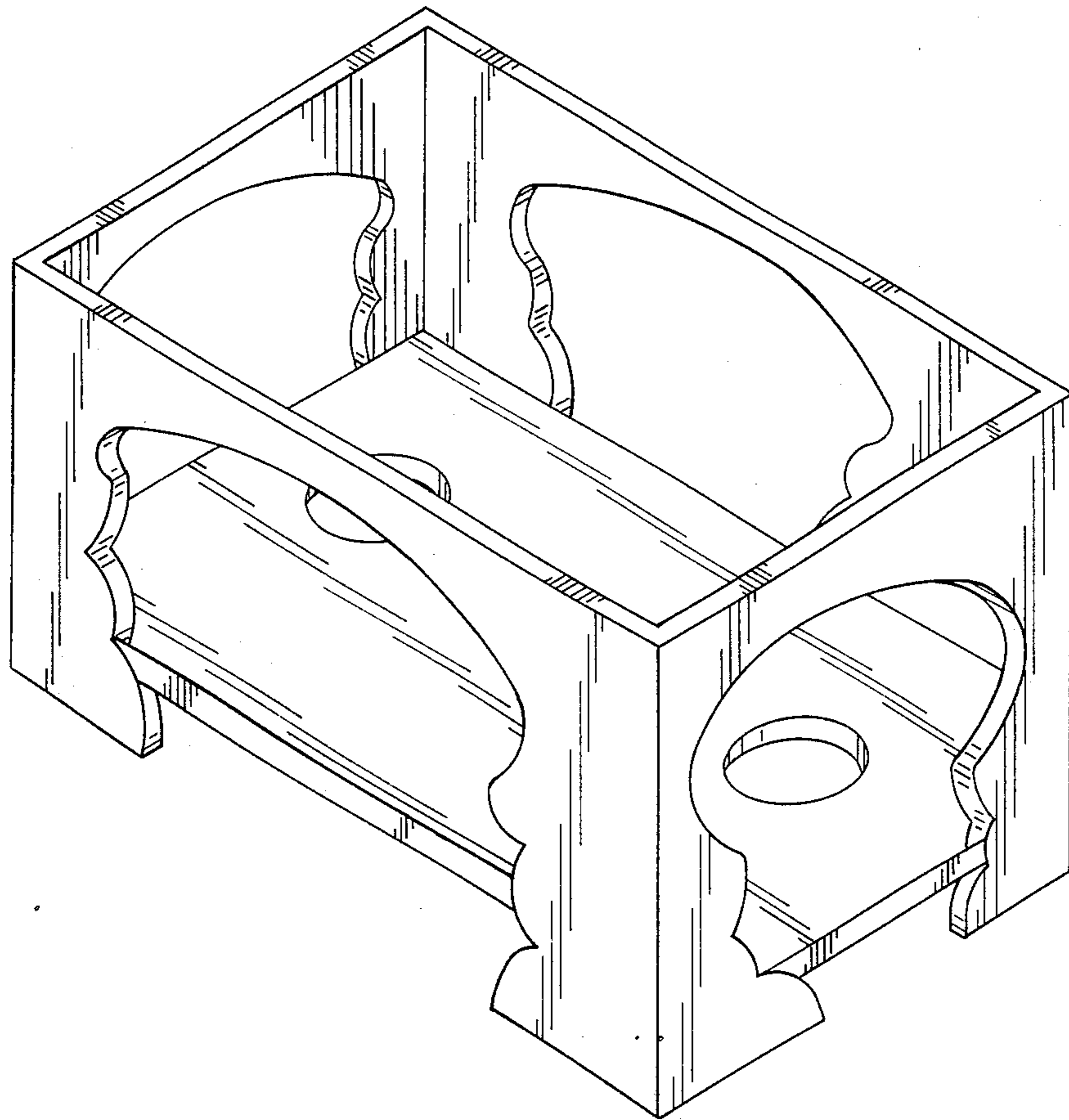


FIG.5