

[54] FRYER

D. 171,609 3/1954 Morgan D7/360
D. 272,034 1/1984 Beugnot D7/360

[75] Inventor: **Wilhelmus G. E. Janssens**, Drachten, Netherlands

Primary Examiner—Winifred E. Herrmann

[73] Assignee: **U.S. Philips Corporation**, New York, N.Y.

[57] CLAIM

The ornamental design for a fryer, as shown and described.

[**] Term: 14 Years

DESCRIPTION

[21] Appl. No.: 945,444

FIG. 1 is a front, top and left side perspective view of a fryer showing my new design;
FIG. 2 is a front elevational view thereof;
FIG. 3 is a rear elevational view thereof;
FIG. 4 is a top plan view thereof;
FIG. 5 is a bottom plan view thereof;
FIG. 6 is a left side elevational view thereof;
FIG. 7 is a right side elevational view thereof;
FIG. 8 is a front, top and left side perspective view of a modification of the fryer shown in FIG. 1,
FIG. 9 is a front elevational view of FIG. 8;
FIG. 10 is a rear elevational view of FIG. 8;
FIG. 11 is a top plan view of FIG. 8;
FIG. 12 is a bottom plan view of FIG. 8;
FIG. 13 is a left side elevational view of FIG. 8; and
FIG. 14 is a right side elevational view of FIG. 8.

[22] Filed: Dec. 18, 1986

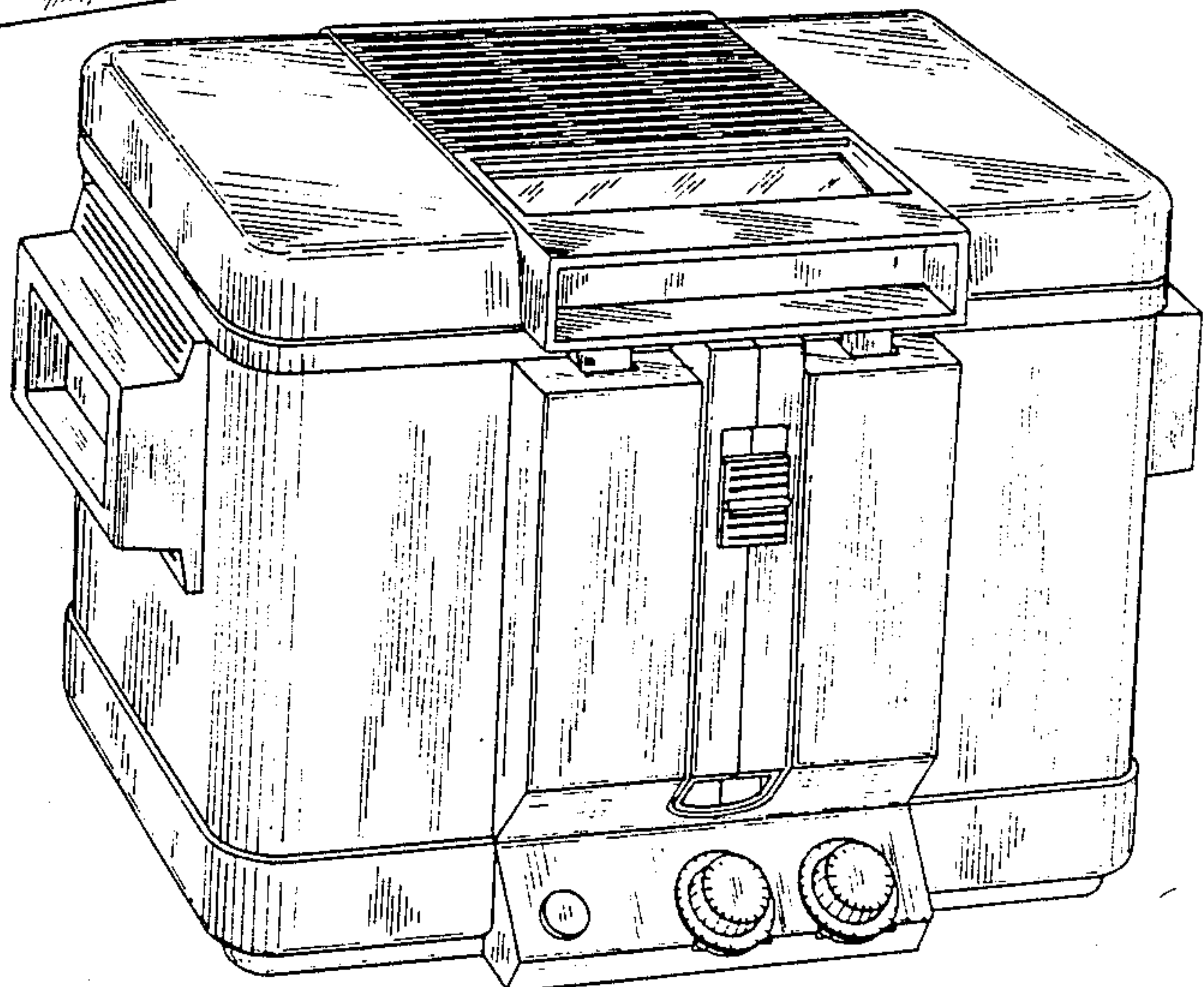
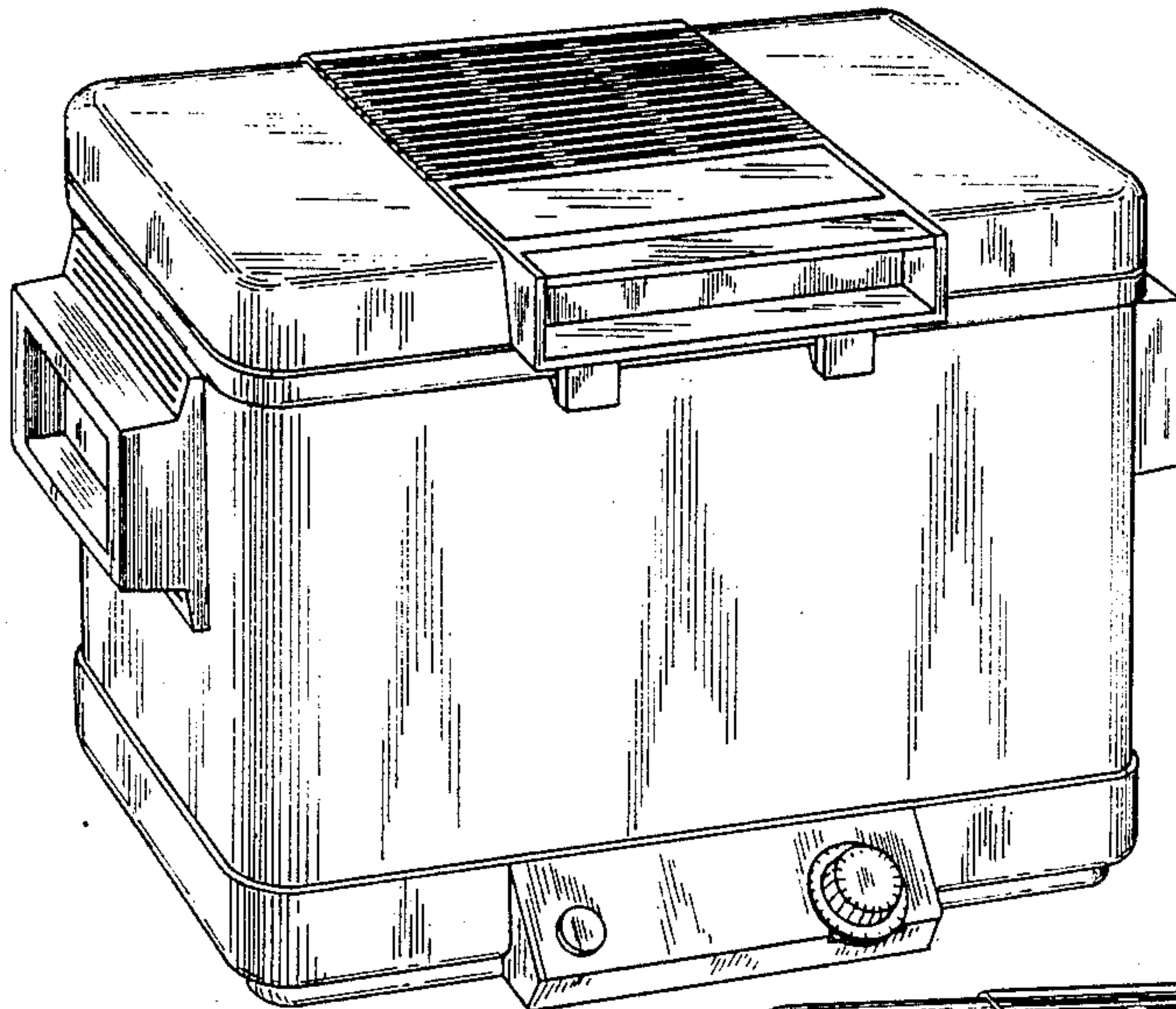
[30] Foreign Application Priority Data

Jun. 27, 1986 [XB] Benelux 61214-01
Jun. 27, 1986 [XB] Benelux 61214-02
[52] U.S. Cl. D7/360
[58] Field of Search D7/354, 360, 361, 355, D7/357

[56] References Cited

U.S. PATENT DOCUMENTS

D. 152,042 12/1948 Sundberg et al. D7/360
D. 161,299 12/1950 Altemiller D7/354
D. 169,576 5/1953 Budlane et al. D7/360



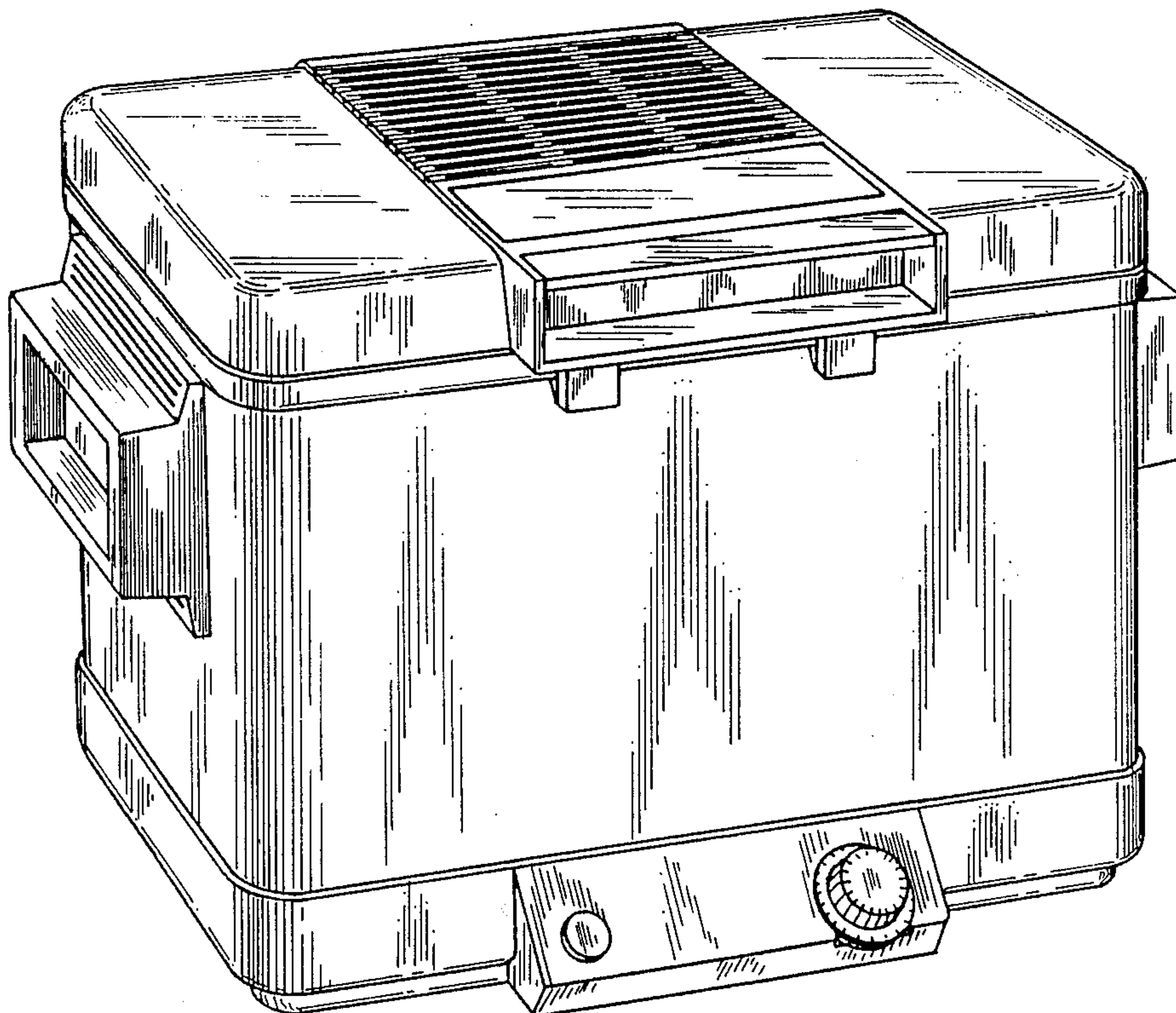


FIG.1

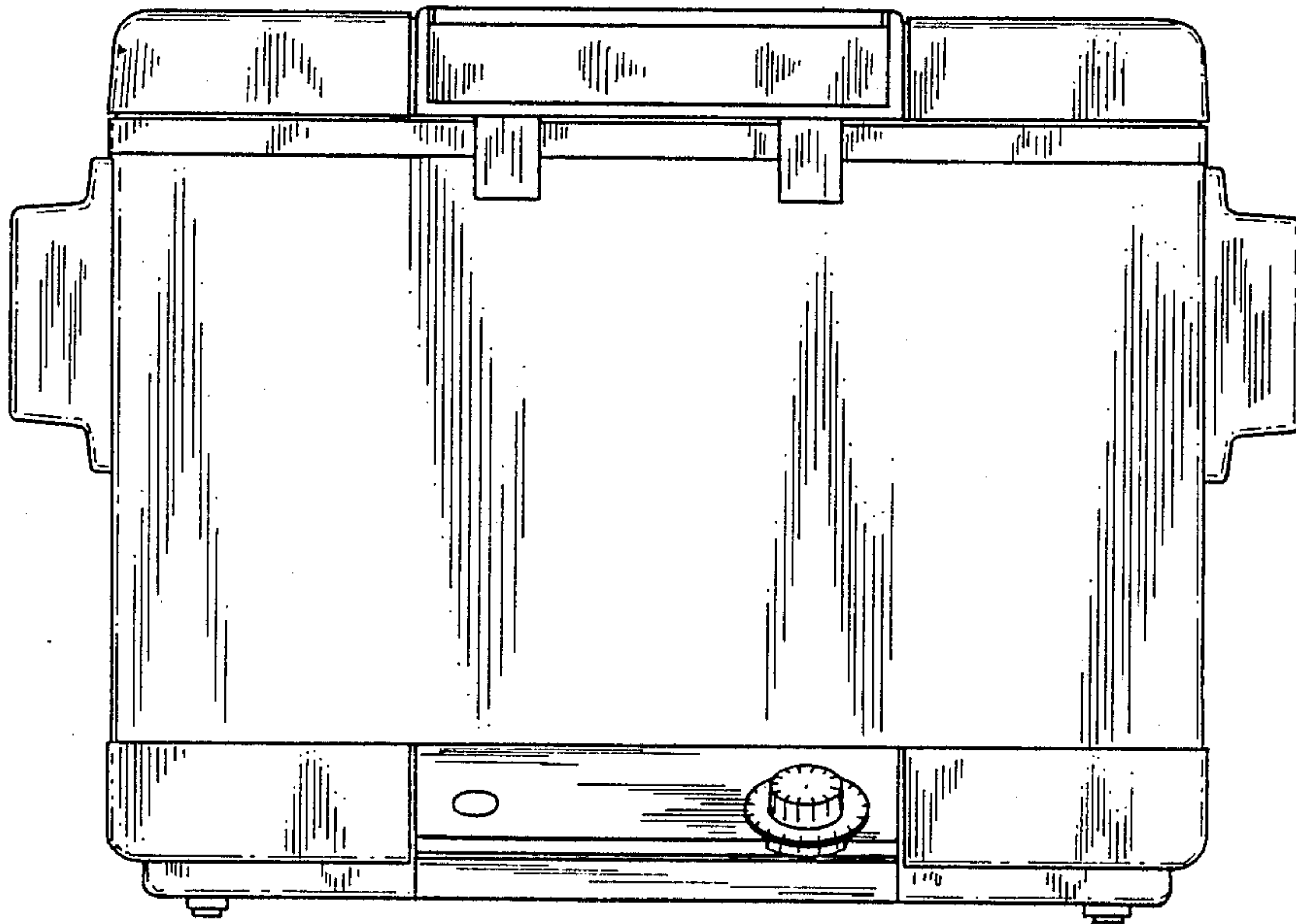


FIG. 2

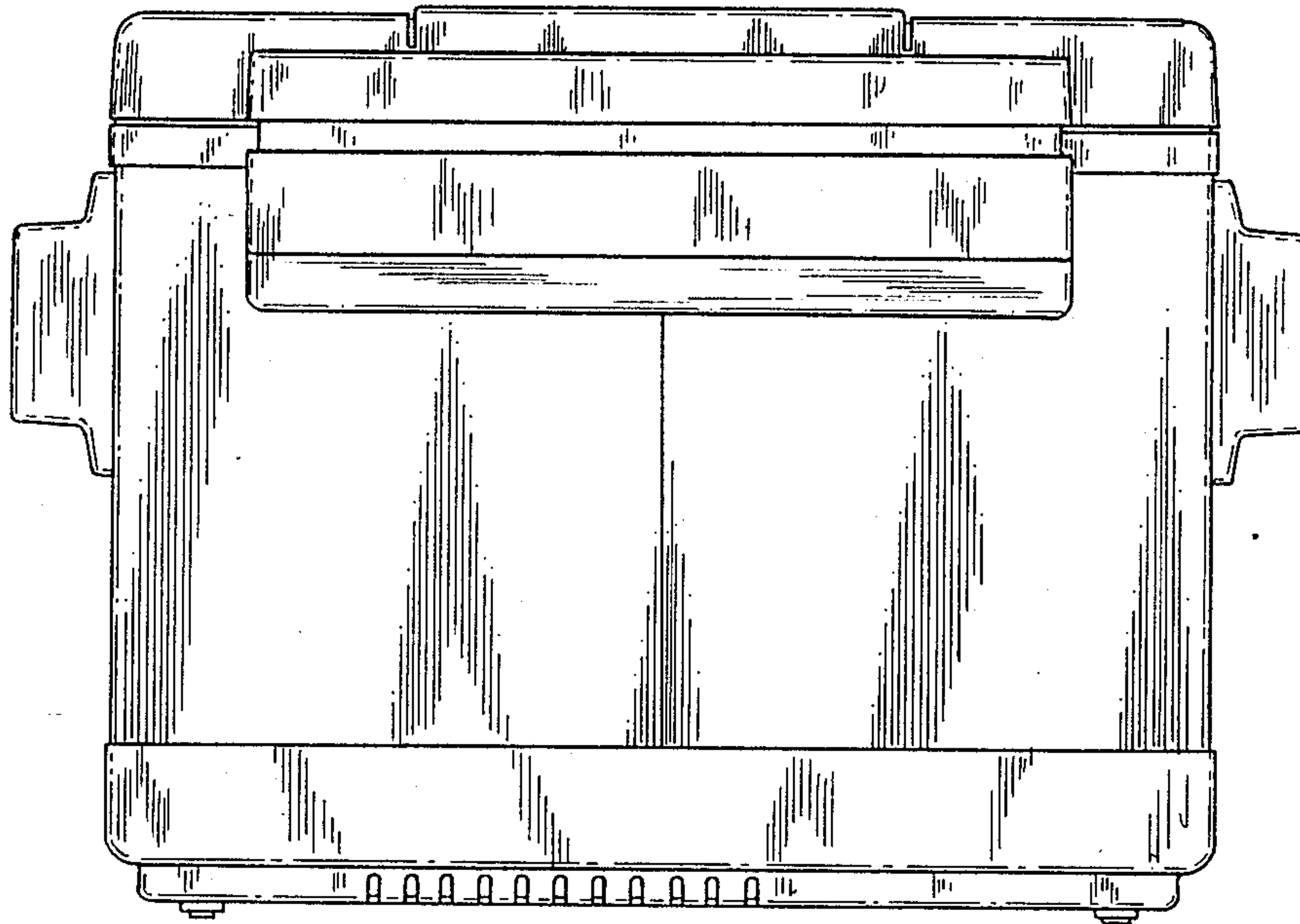


FIG. 3

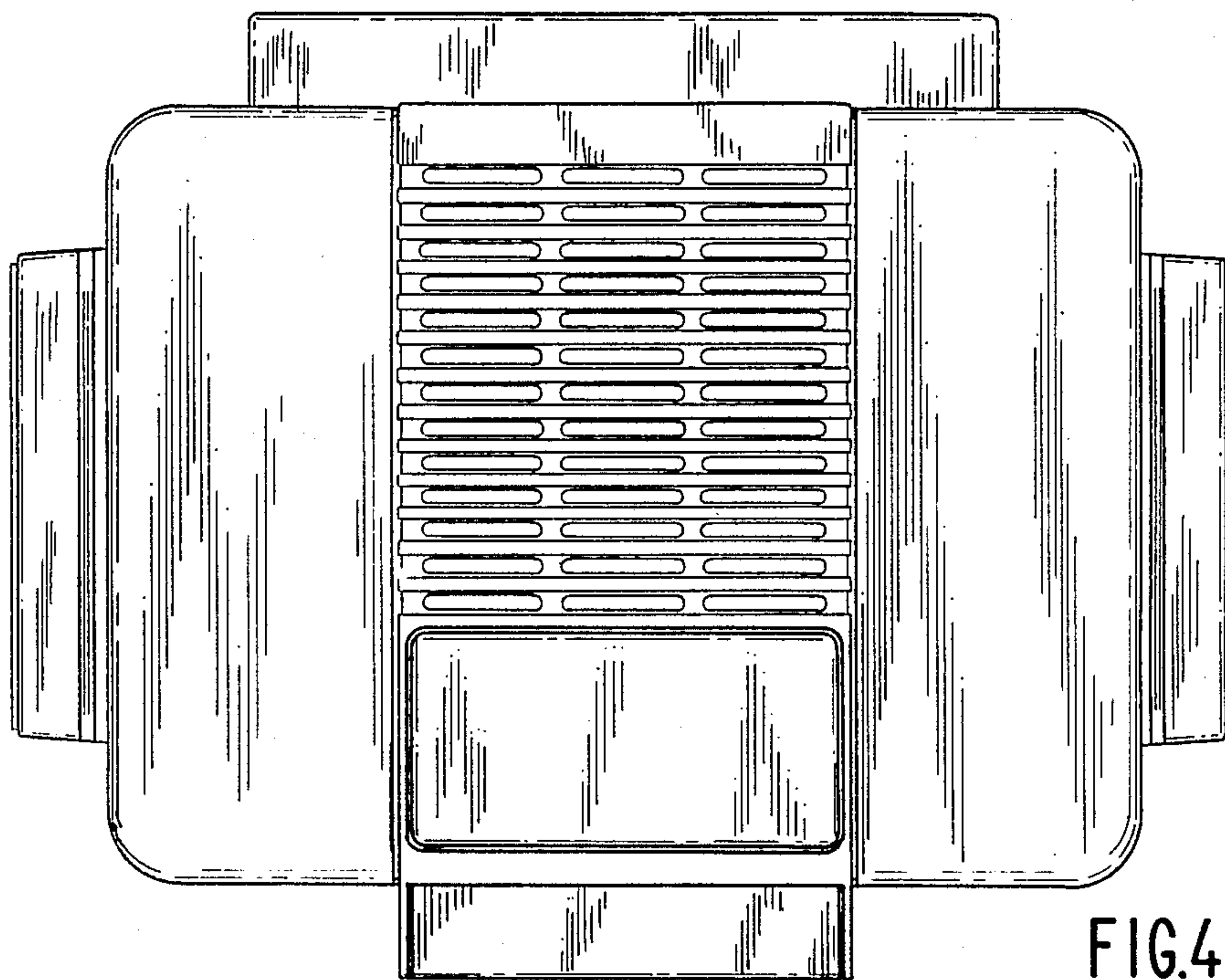


FIG. 4

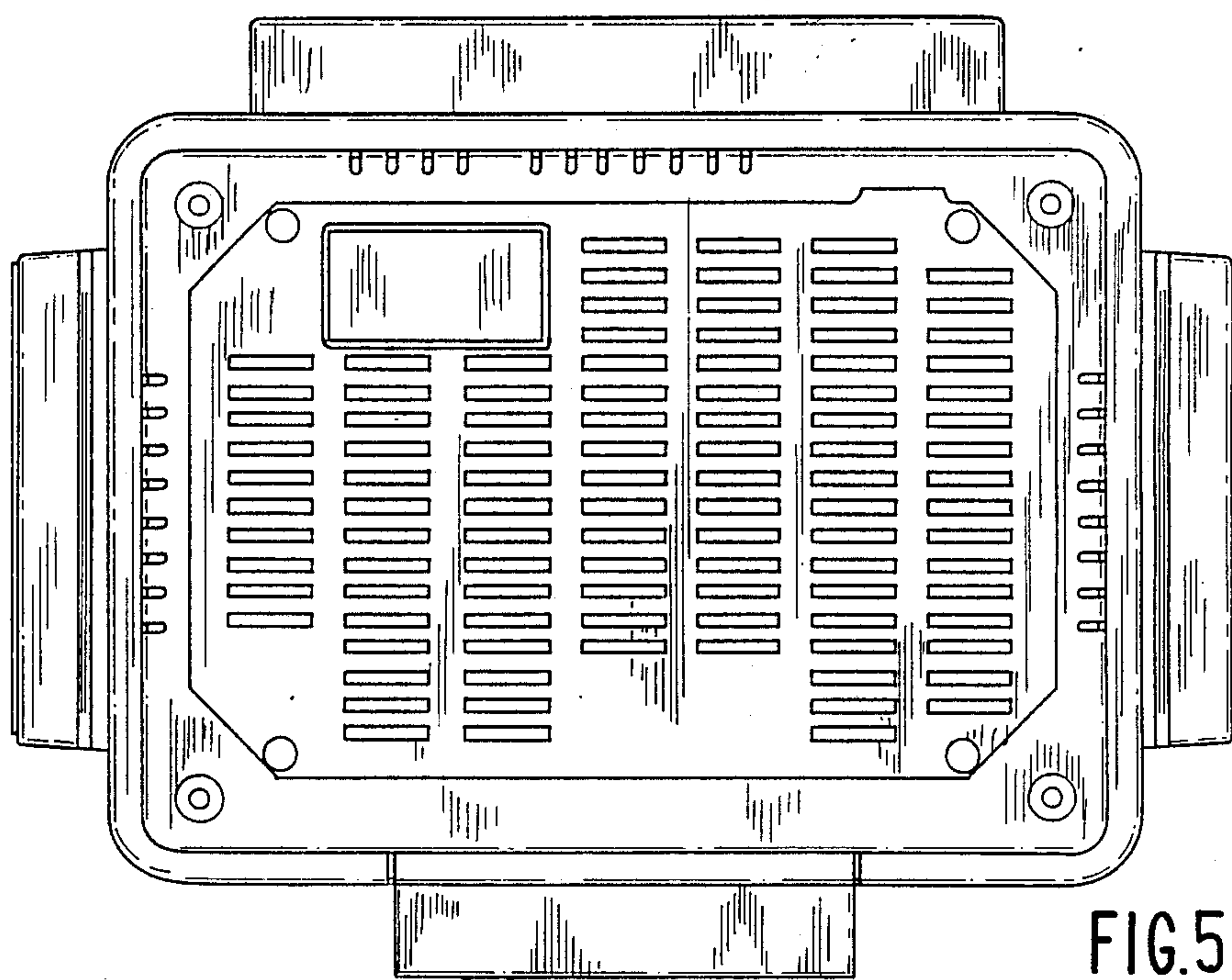


FIG. 5

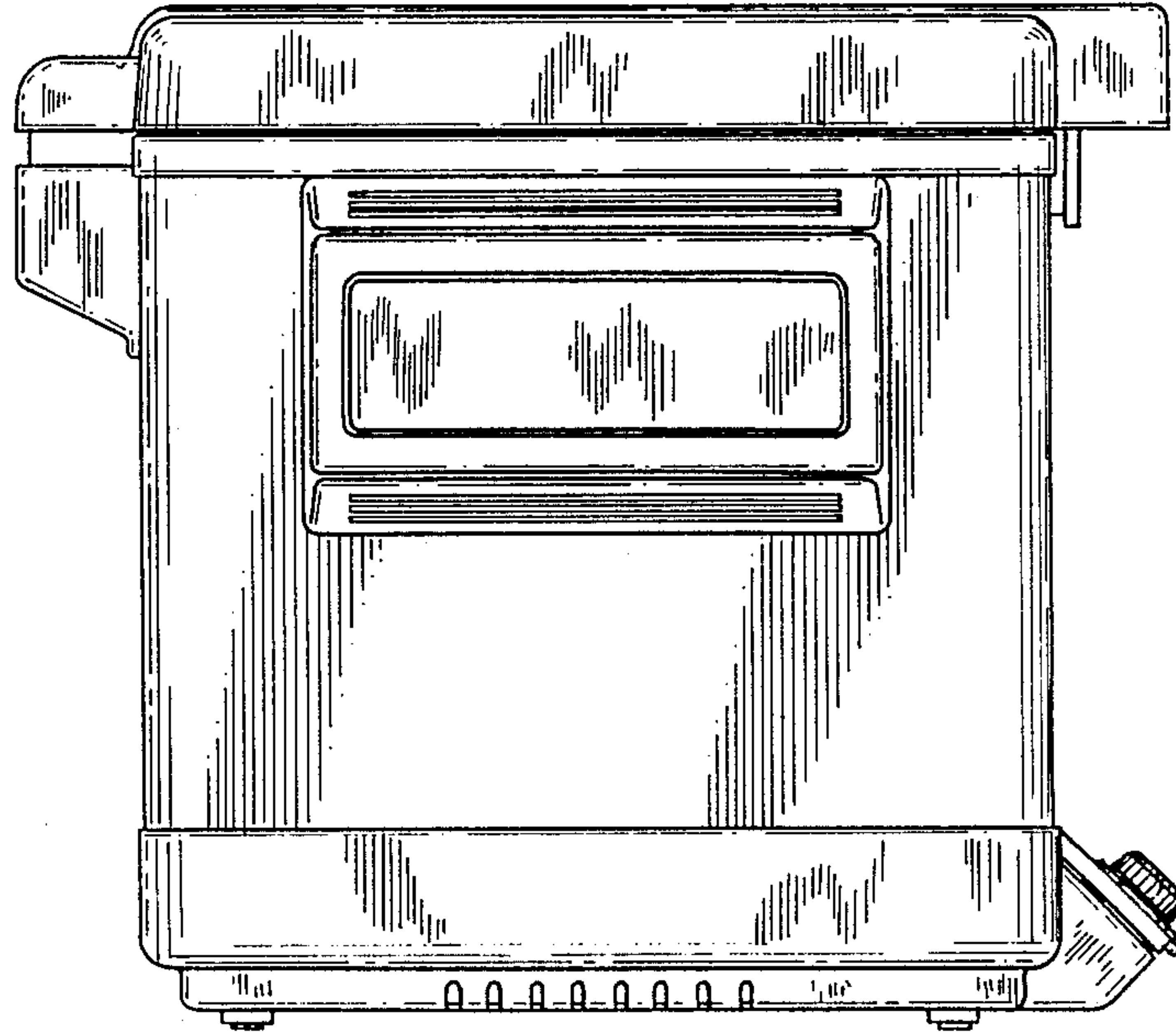


FIG. 6

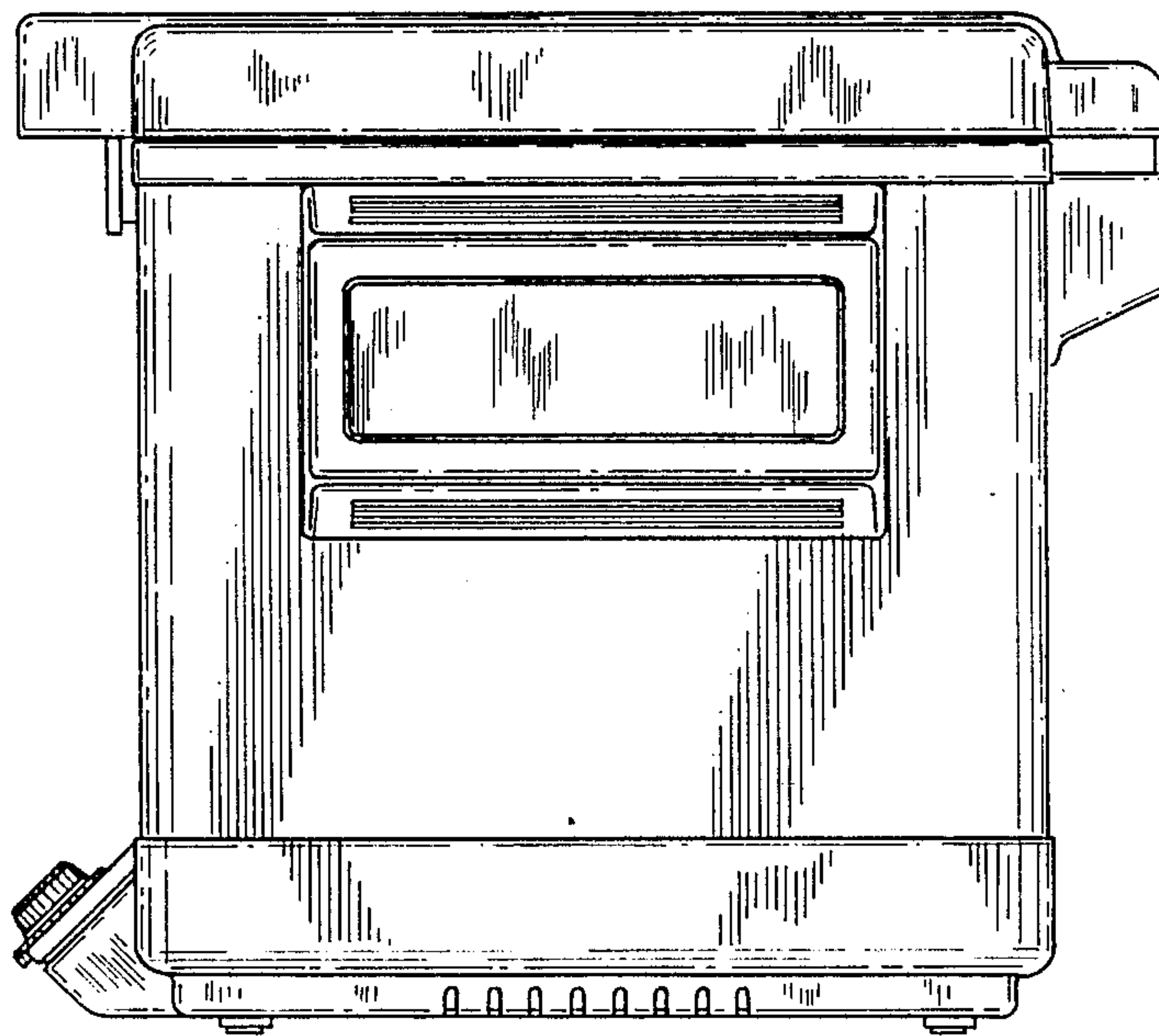


FIG. 7

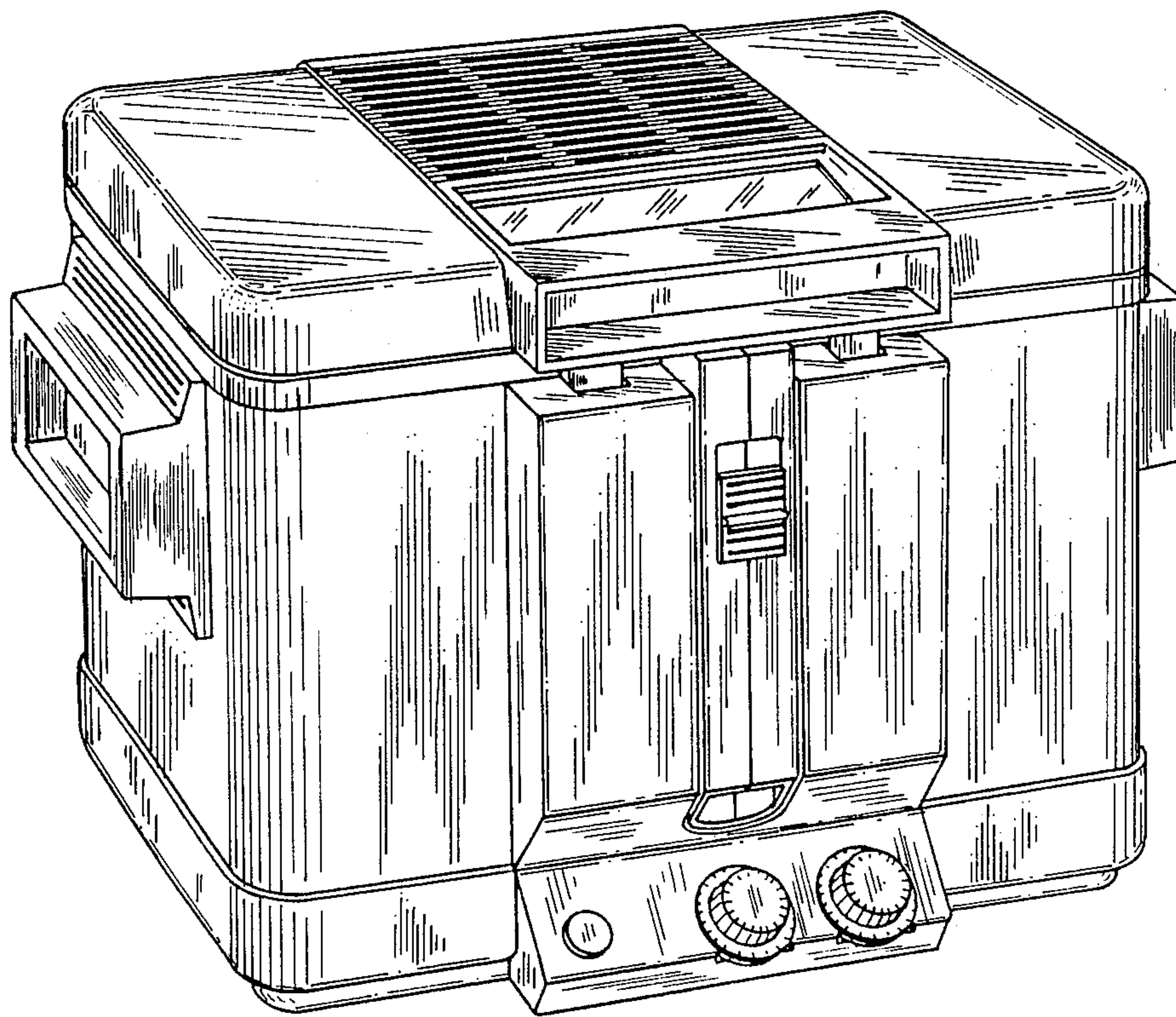


FIG.8

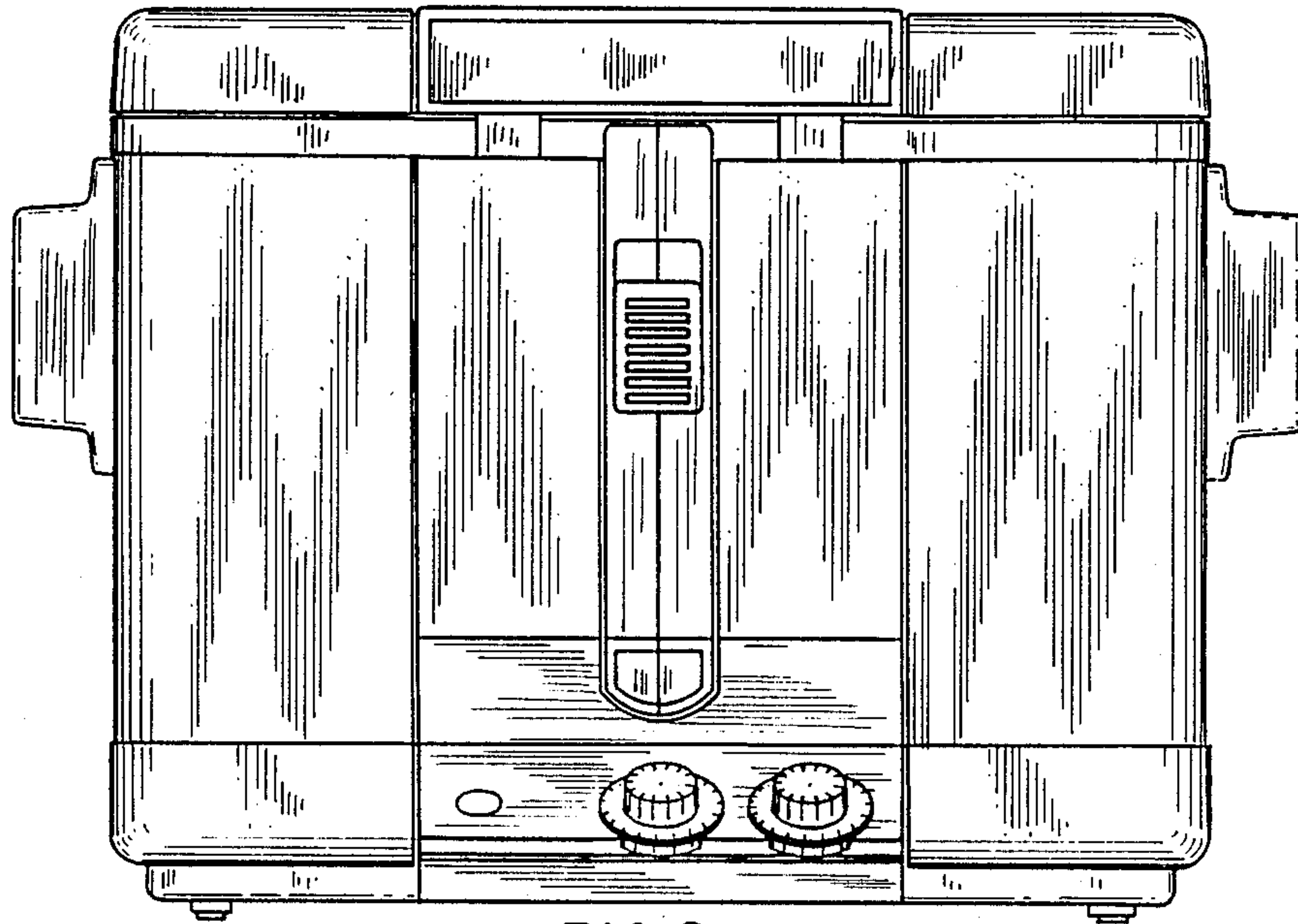


FIG. 9

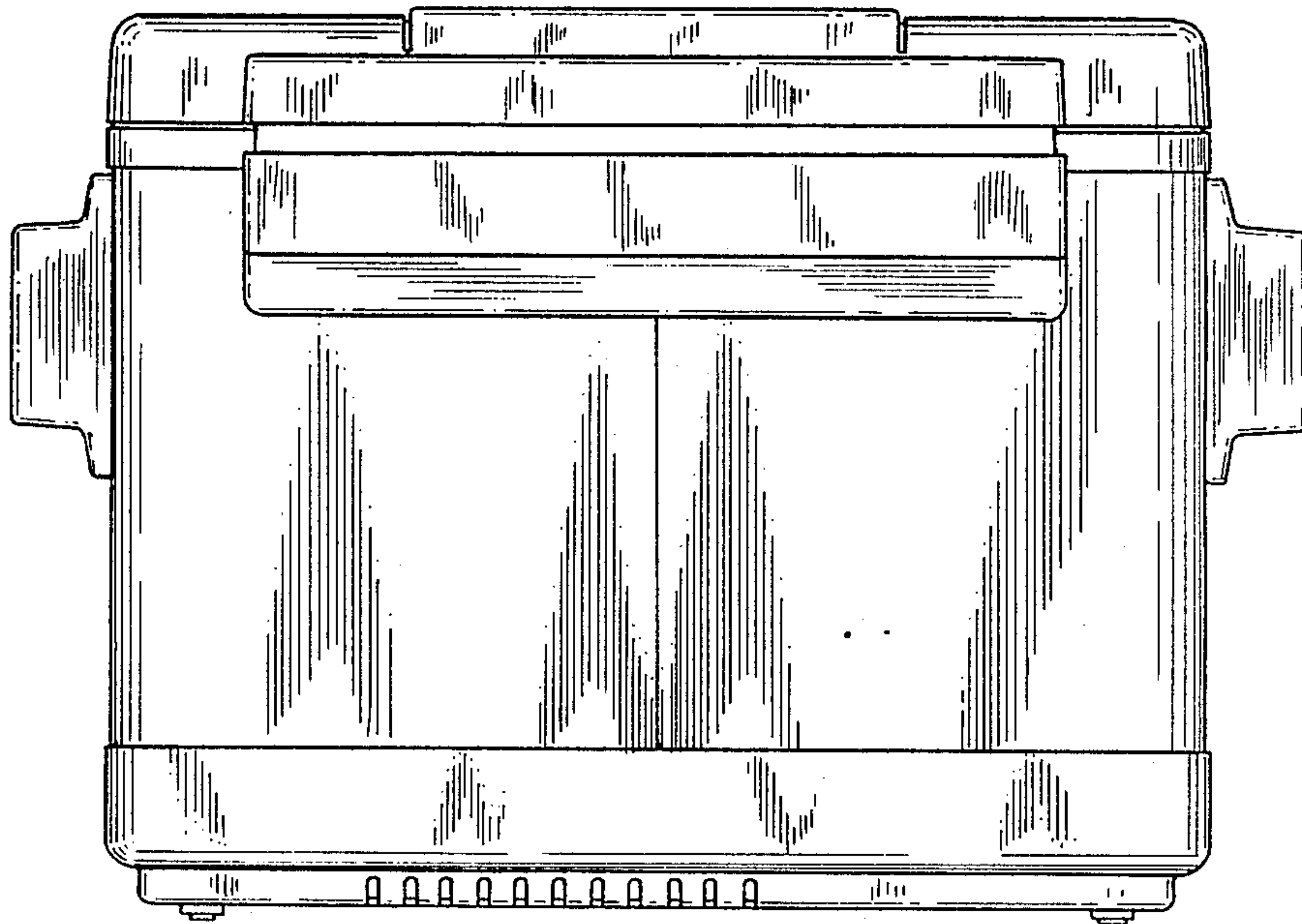


FIG. 10

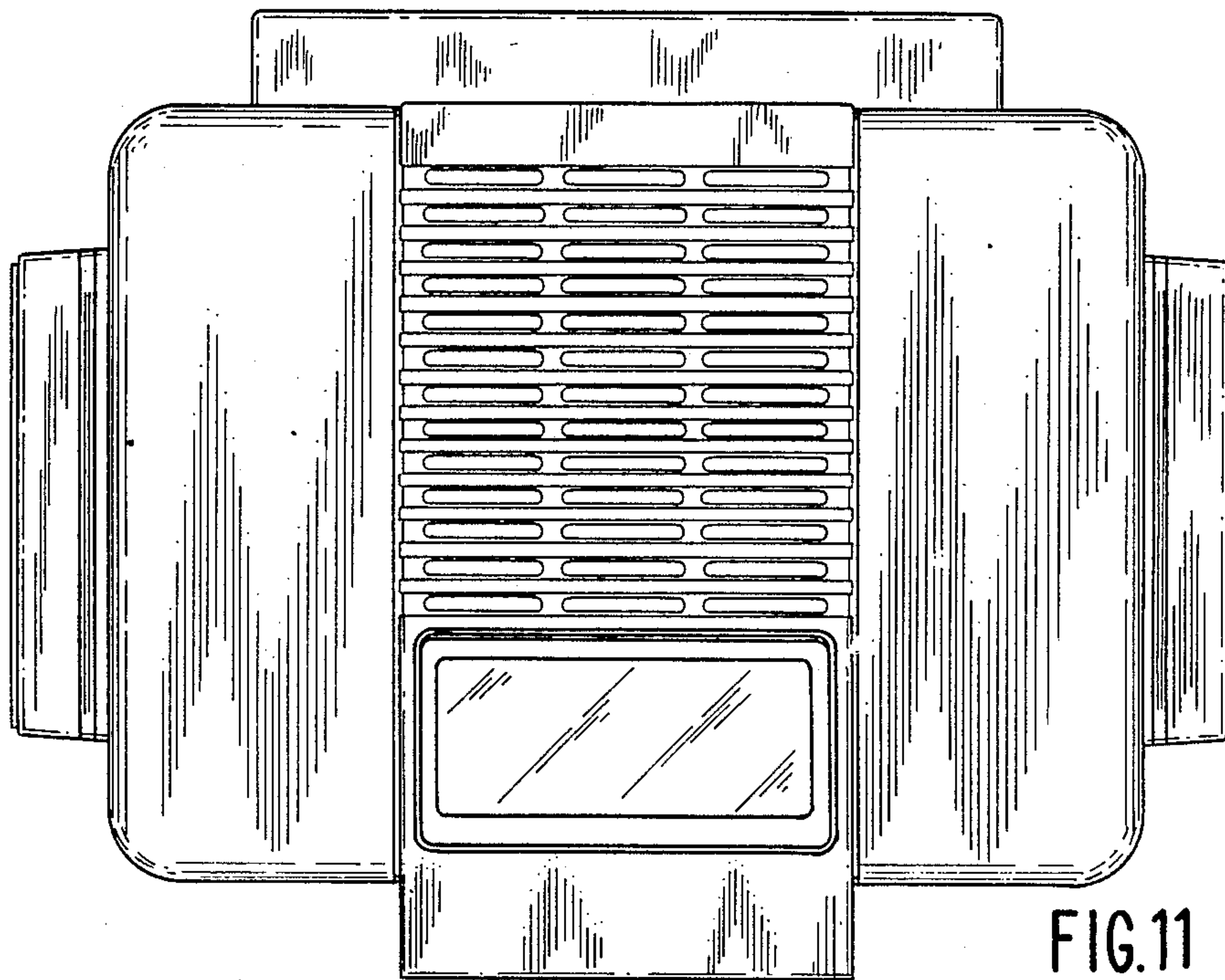


FIG. 11

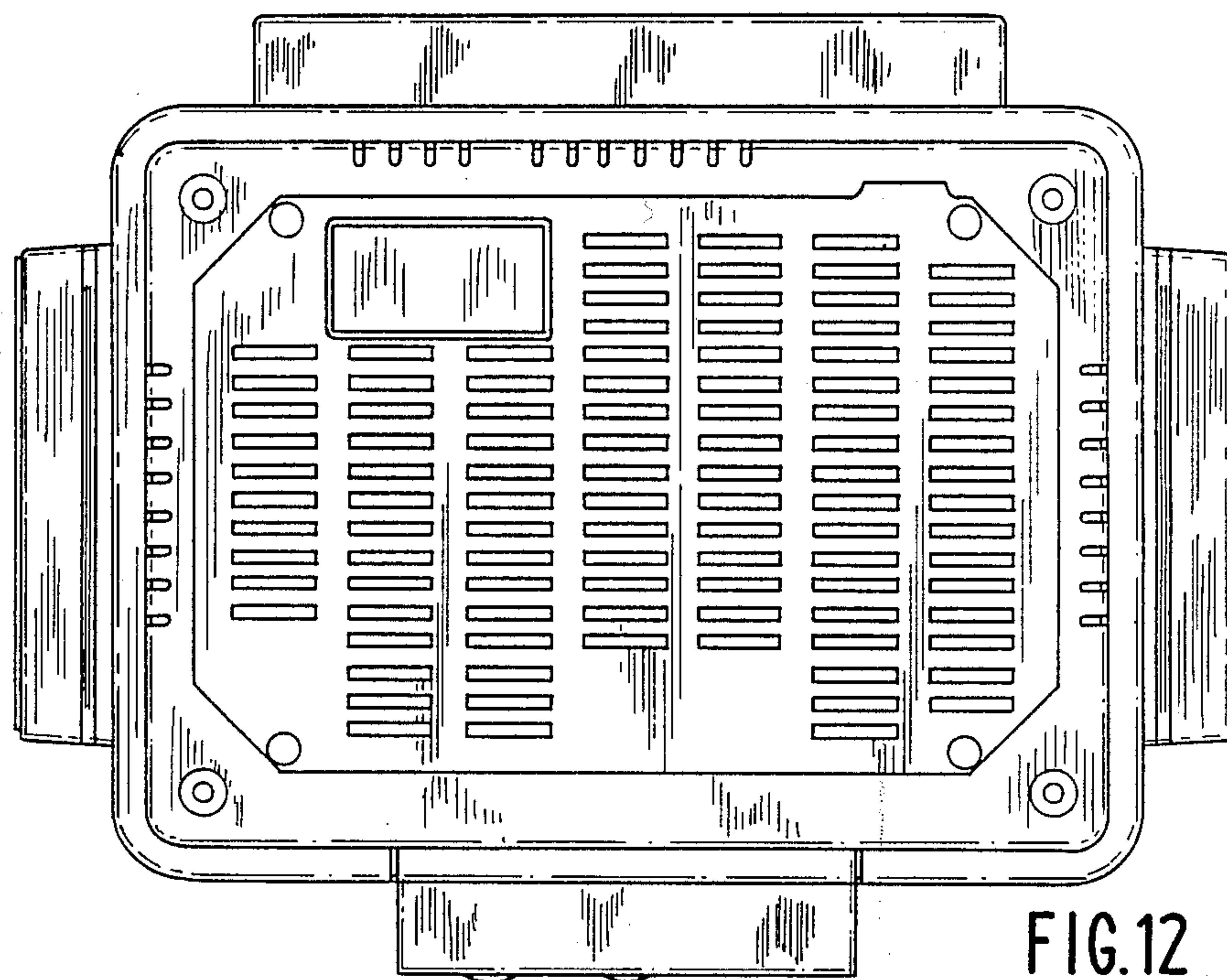


FIG. 12

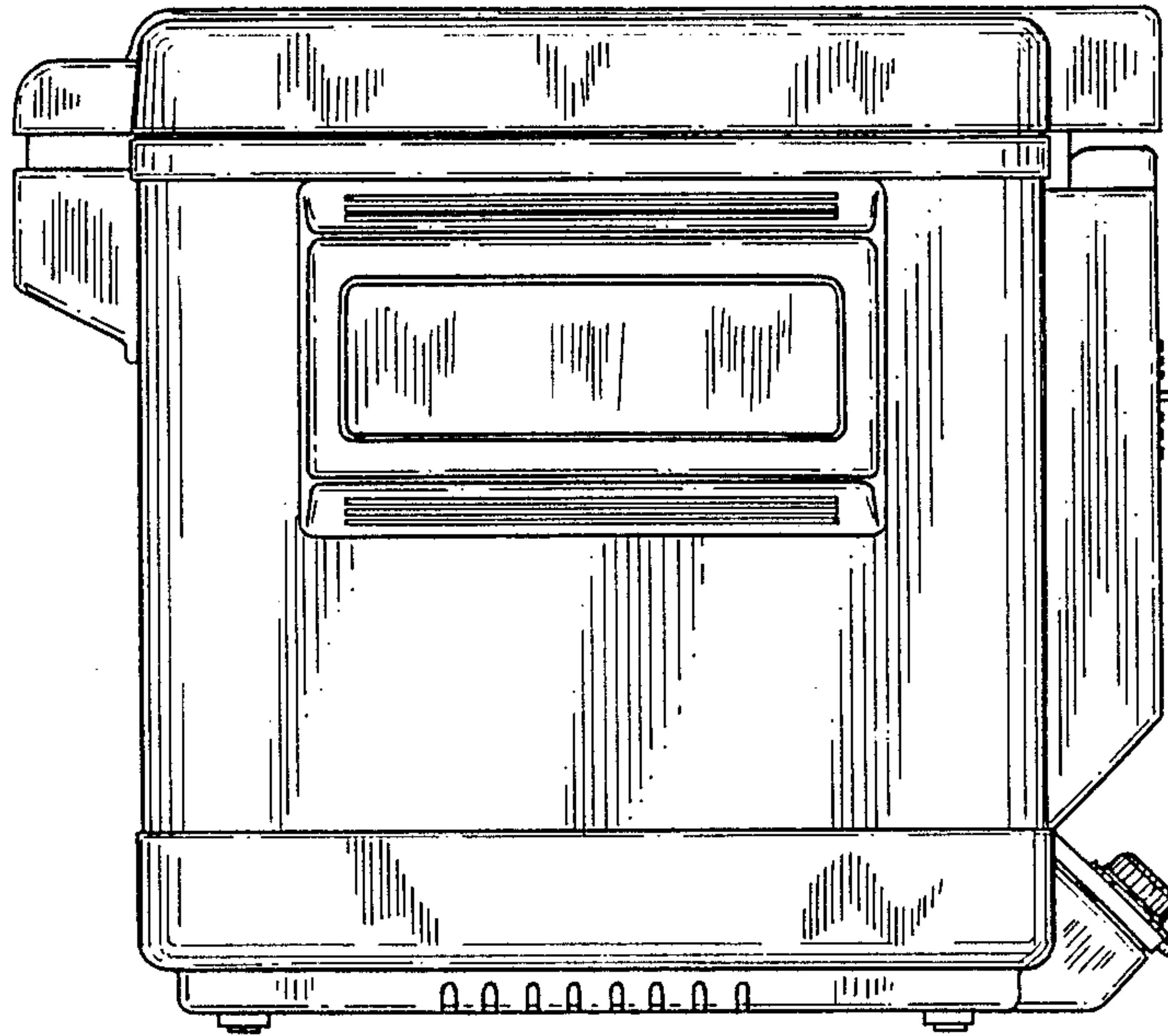


FIG.13

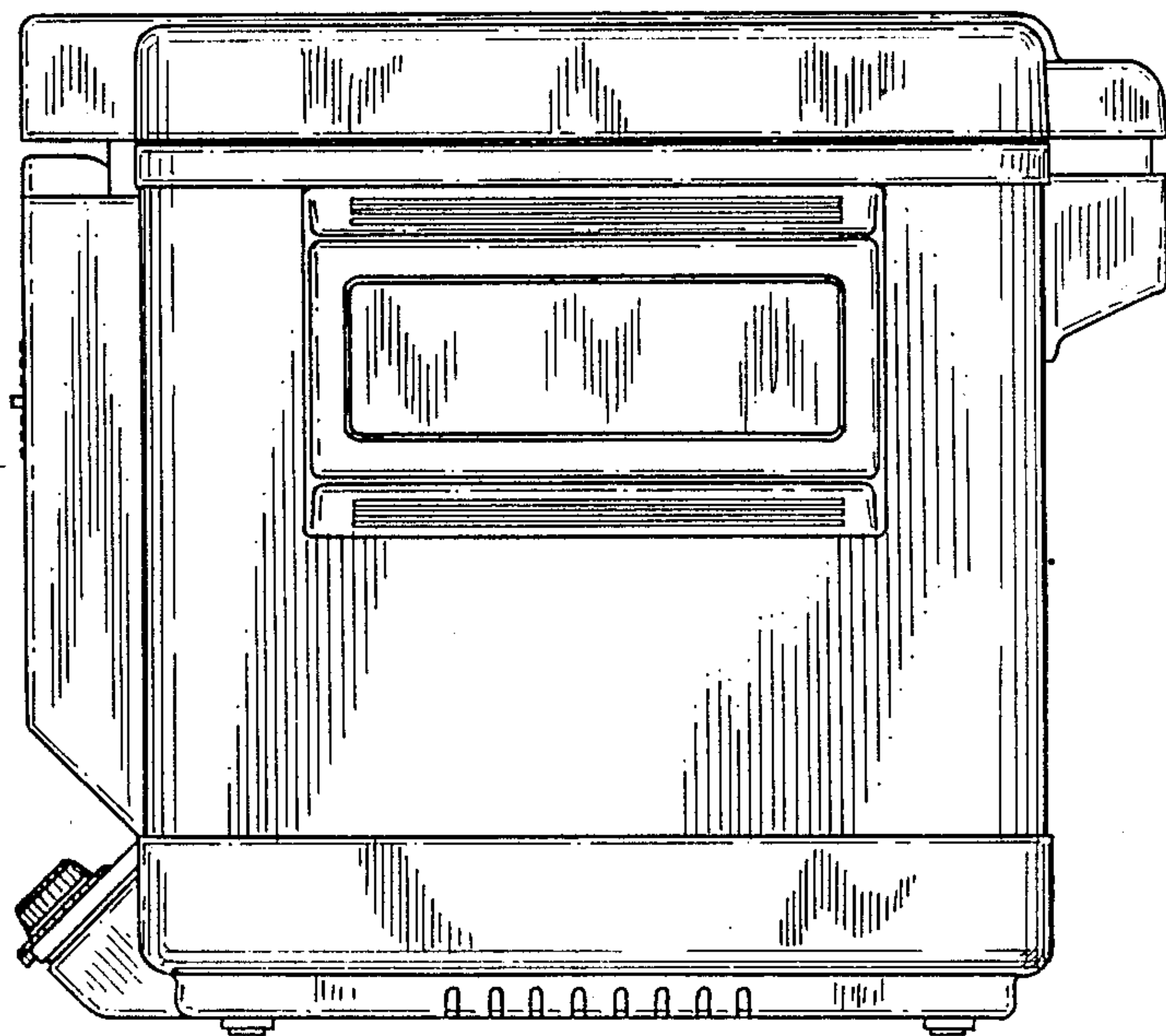


FIG.14