

[54] COMBINED BRUSH AND ICE SCRAPER

[75] Inventors: Barry Brinker; John E. Busse, both of Cincinnati, Ohio

[73] Assignee: 'Totes', Incorporated, Loveland, Ohio

[\*\*] Term: 14 Years

[21] Appl. No.: 354,423

[22] Filed: May 18, 1989

[52] U.S. Cl. .... D4/118; D32/42

[58] Field of Search ..... D4/116, 118, 121, 129; D32/40-42; 15/105-106, 111, 117, 121, 159 R, 160, 236.0-236.09, 245

[56] References Cited

U.S. PATENT DOCUMENTS

D. 265,269	7/1982	Frantz .....	D4/118
D. 270,105	8/1983	Erickson .....	D32/42
D. 282,604	2/1986	Whitaker .....	D4/118
603,581	5/1898	Urmstron .....	15/117
2,908,929	10/1959	Cotman .....	15/111 X
3,051,975	9/1962	Schwartz .....	15/117 X
3,968,535	7/1976	Nichols, Jr. ....	15/117 X
4,302,862	12/1981	Machacek et al. ....	15/117

Primary Examiner—A. Hugo Word

Assistant Examiner—Lavone D. Tabor

Attorney, Agent, or Firm—Wood, Herron & Evans

[57] CLAIM

The ornamental design for a combined brush and ice scraper, as shown and described.

DESCRIPTION

FIG. 1 is a perspective view of a combined brush and ice scraper showing our new design, shown with the handle in position for storage;

FIG. 2 is a top plan view thereof;

FIG. 3 is an elevational view of the side shown in FIG. 1;

FIG. 4 is an elevational view of the opposite side thereof;

FIG. 5 is an end elevational view as seen from the right of FIG. 2;

FIG. 6 is an elevational view of the opposite end thereof;

FIG. 7 is a bottom plan view thereof;

FIG. 8 is a reduced perspective view thereof, shown with the handle in position for use;

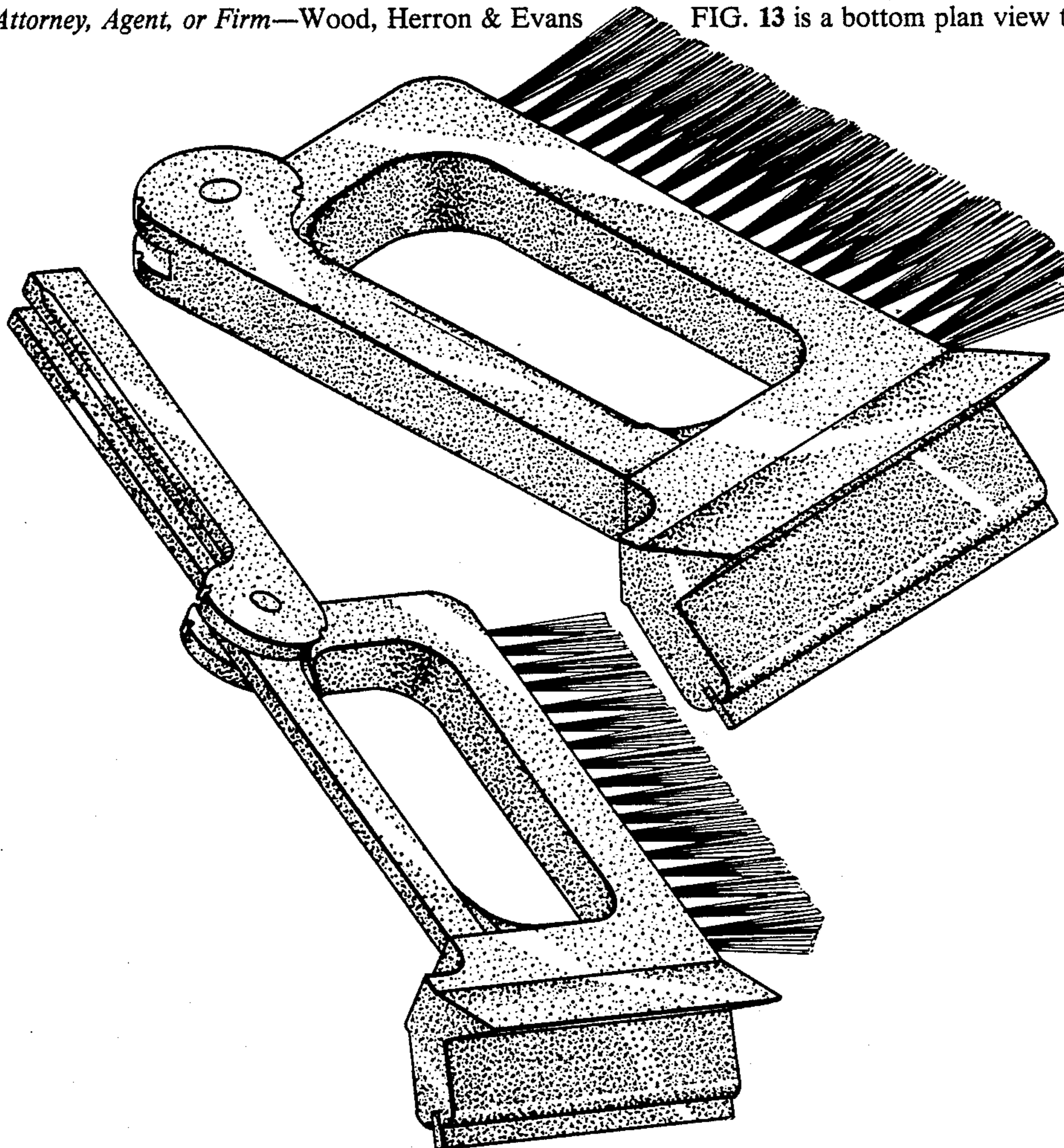
FIG. 9 is a top plan view thereof;

FIG. 10 is an elevational view of the side shown in FIG. 8;

FIG. 11 is an elevational view of the opposite side thereof;

FIG. 12 is an end elevational view as seen from the left of FIG. 9, the opposite end being the same as that shown in FIG. 5; and

FIG. 13 is a bottom plan view thereof.





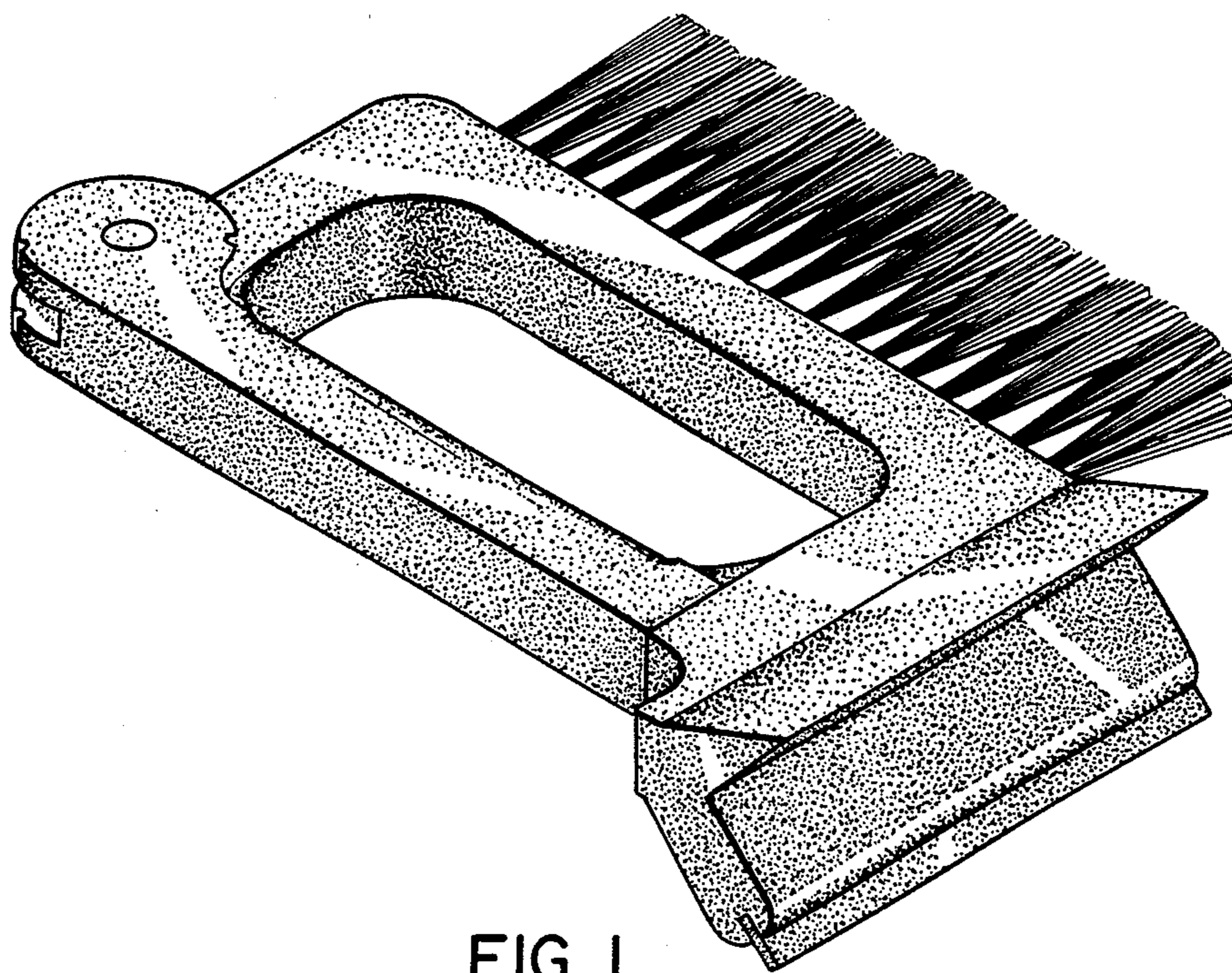


FIG. 1

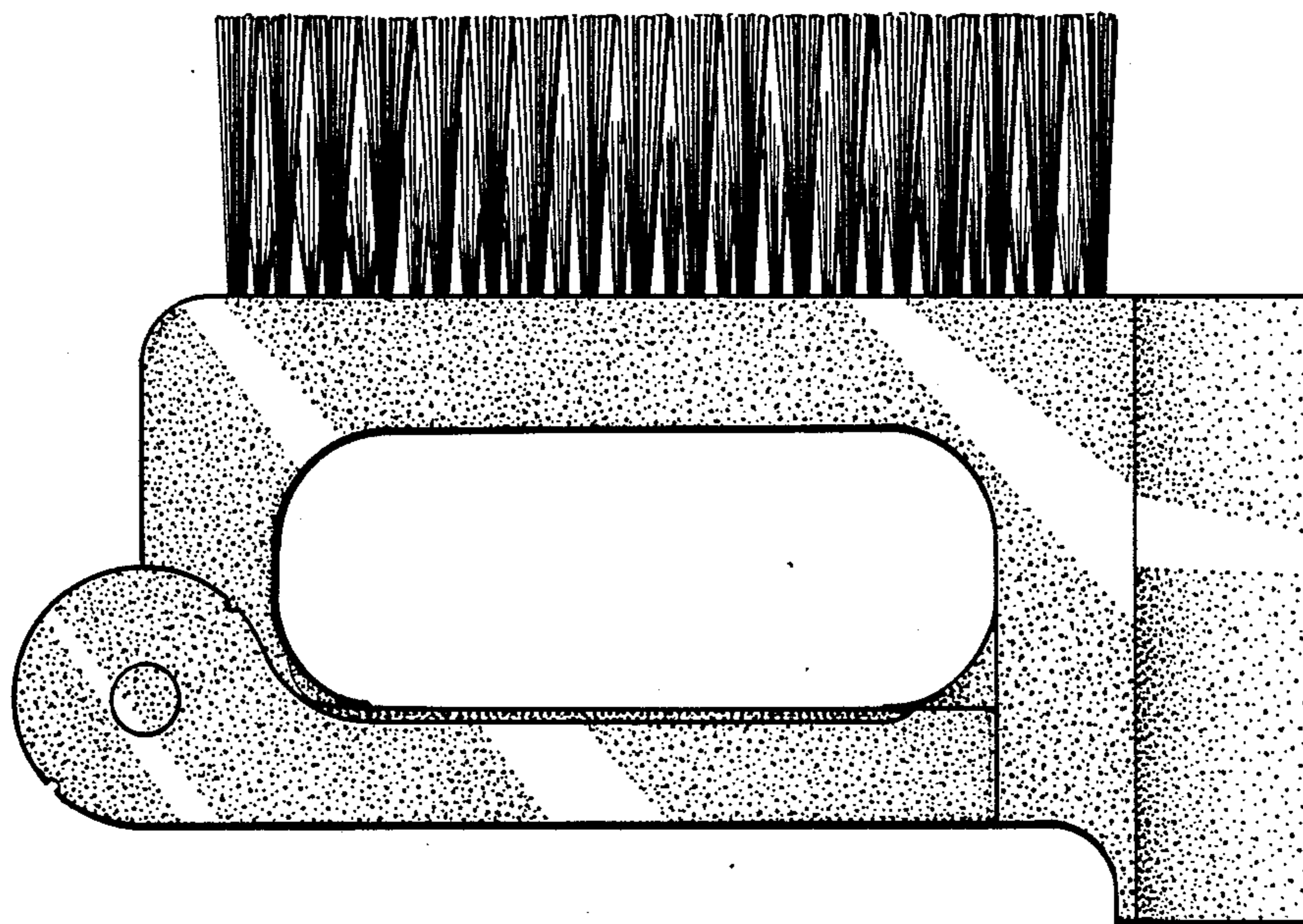


FIG. 2





FIG. 3

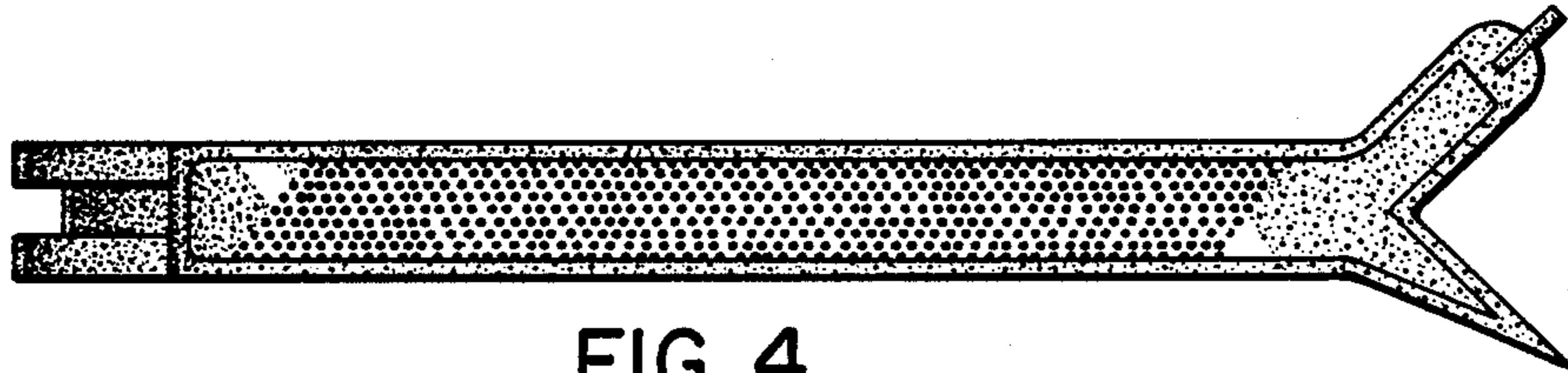


FIG. 4

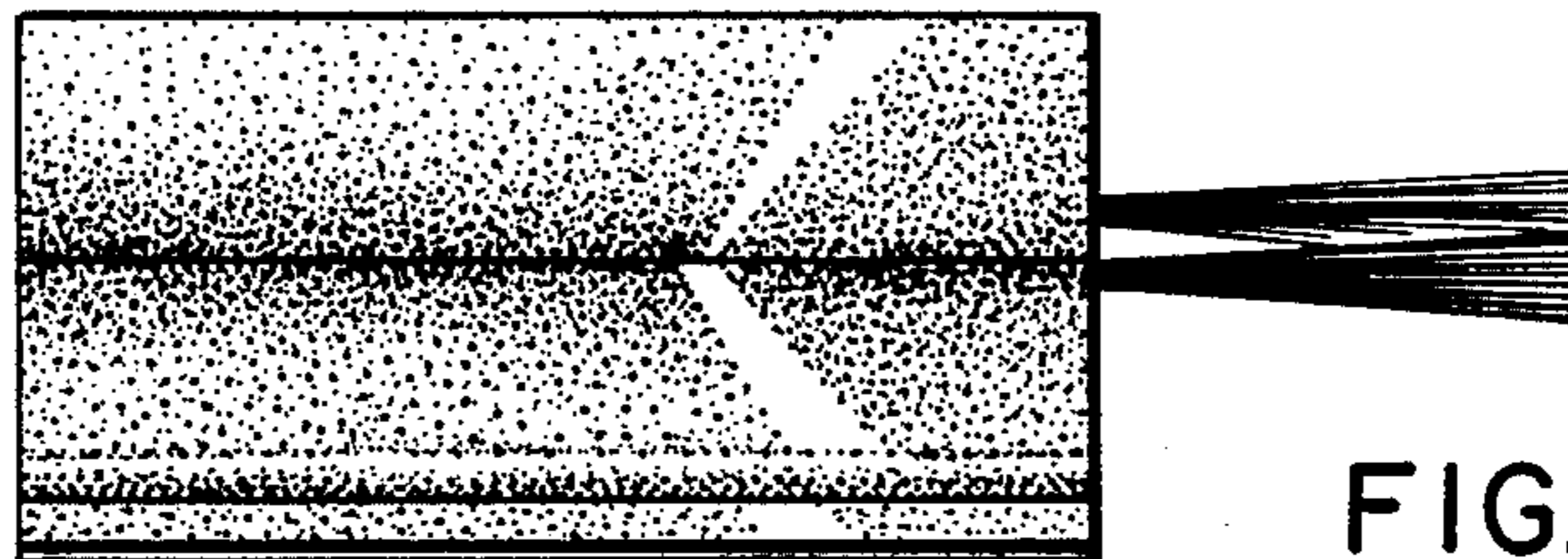


FIG. 5

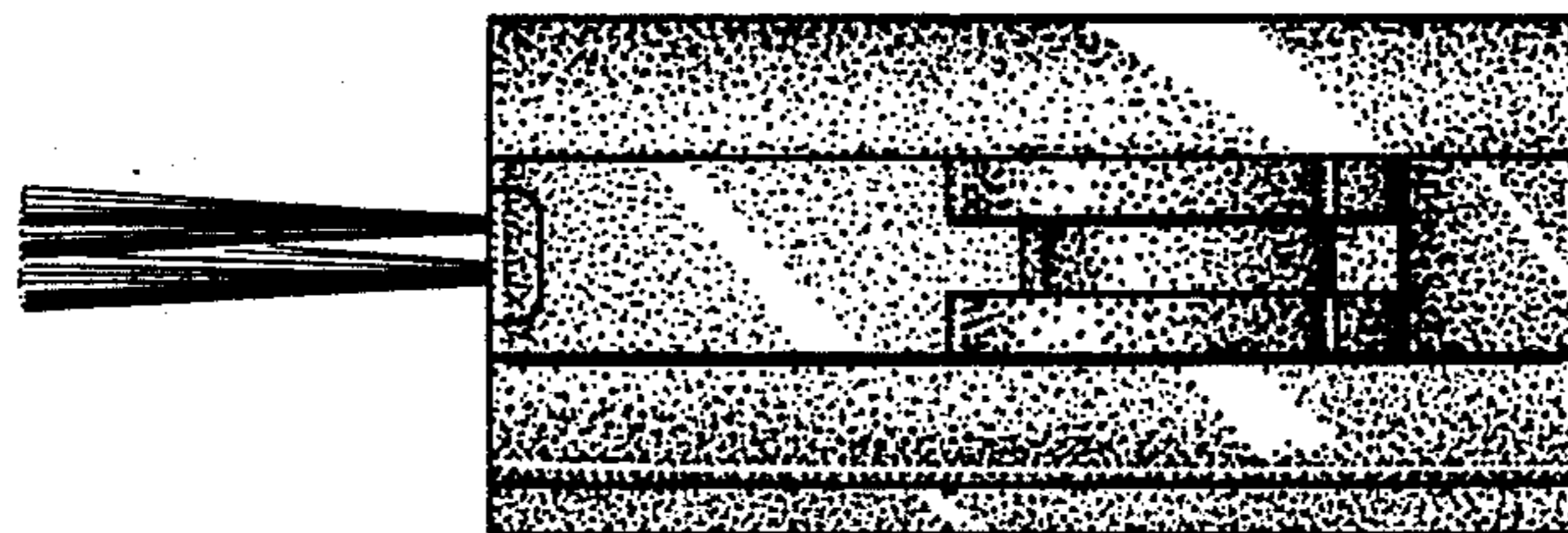


FIG. 6

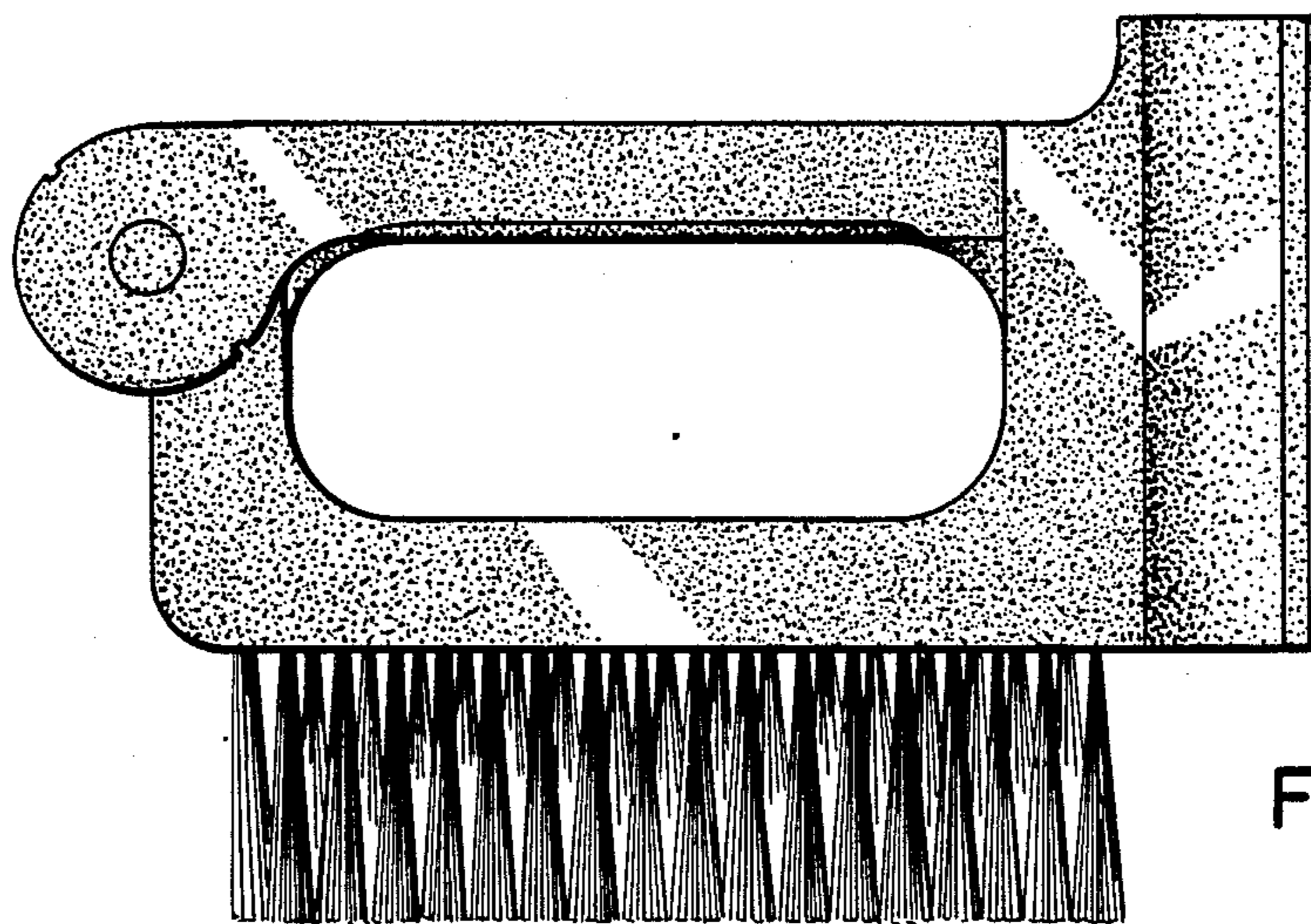


FIG. 7

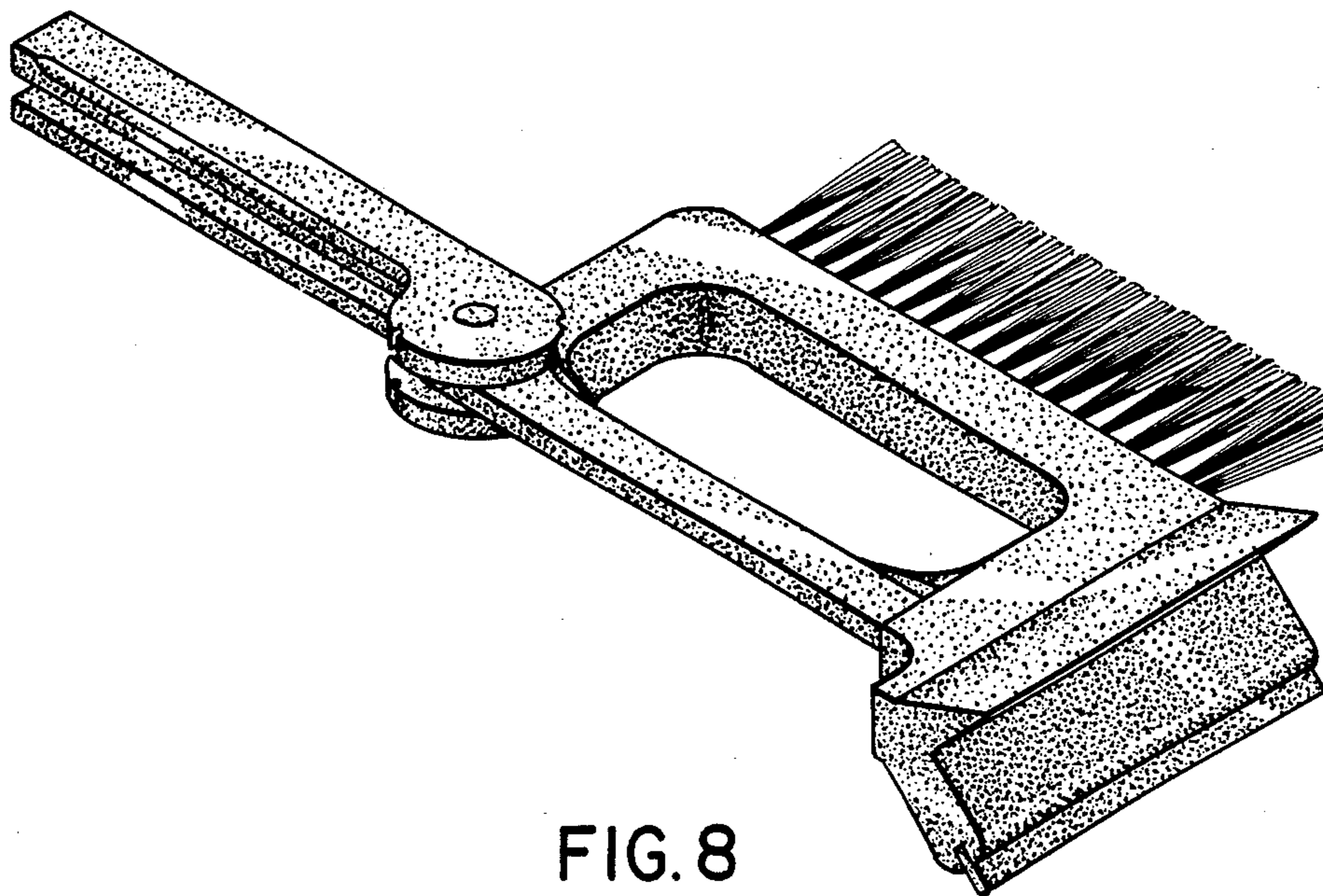


FIG. 8

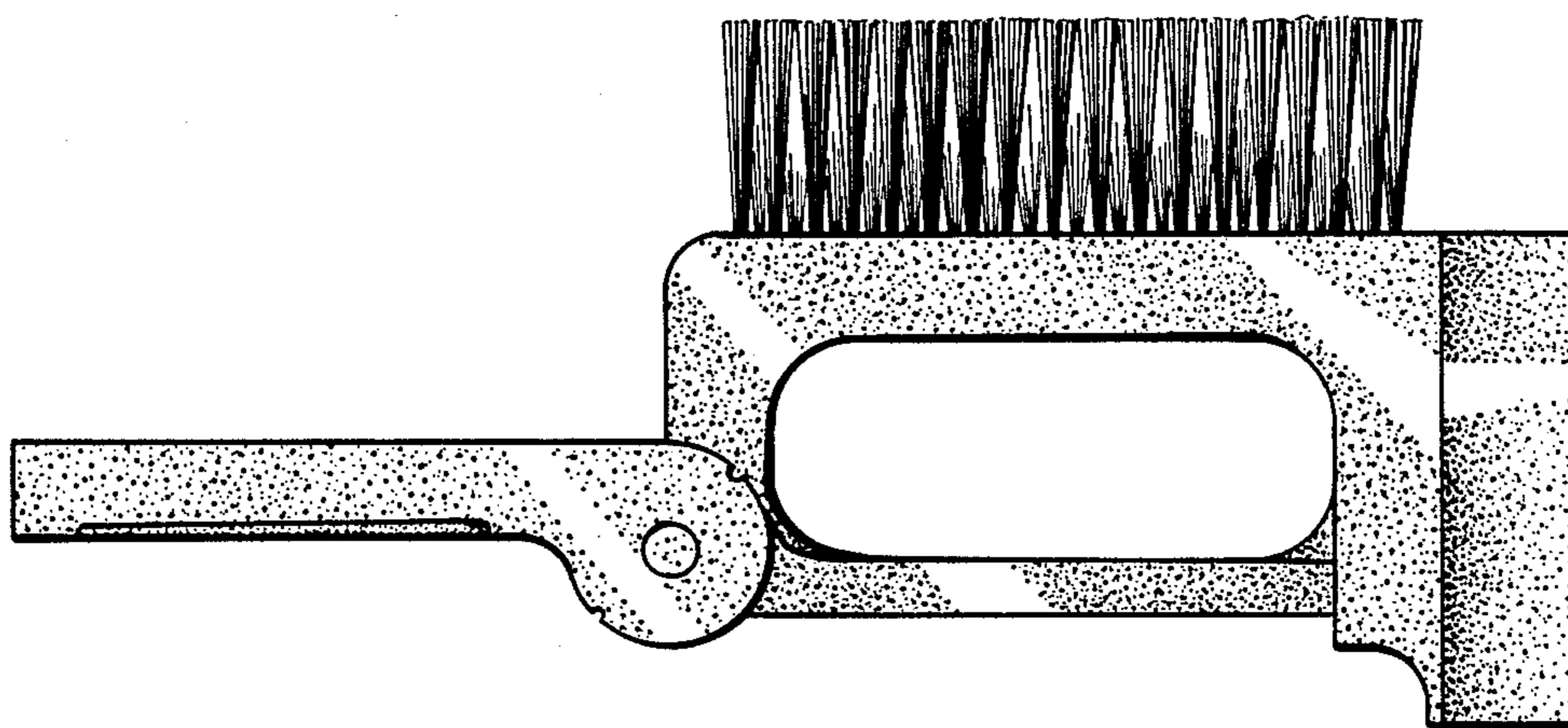


FIG. 9





FIG. 10

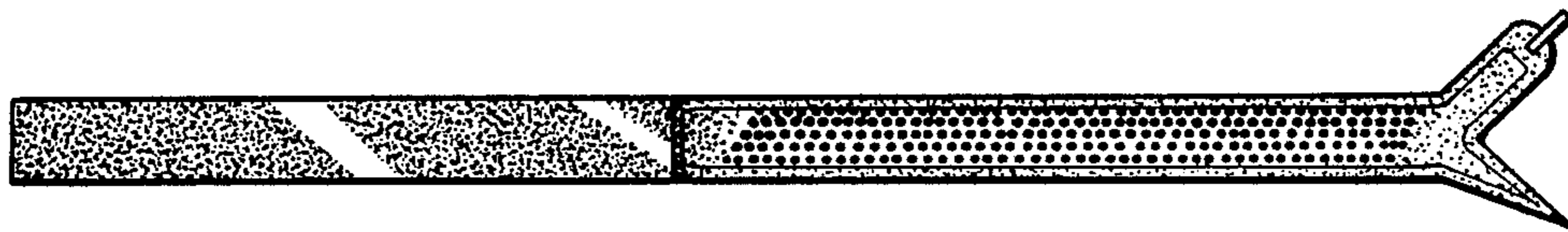


FIG. 11

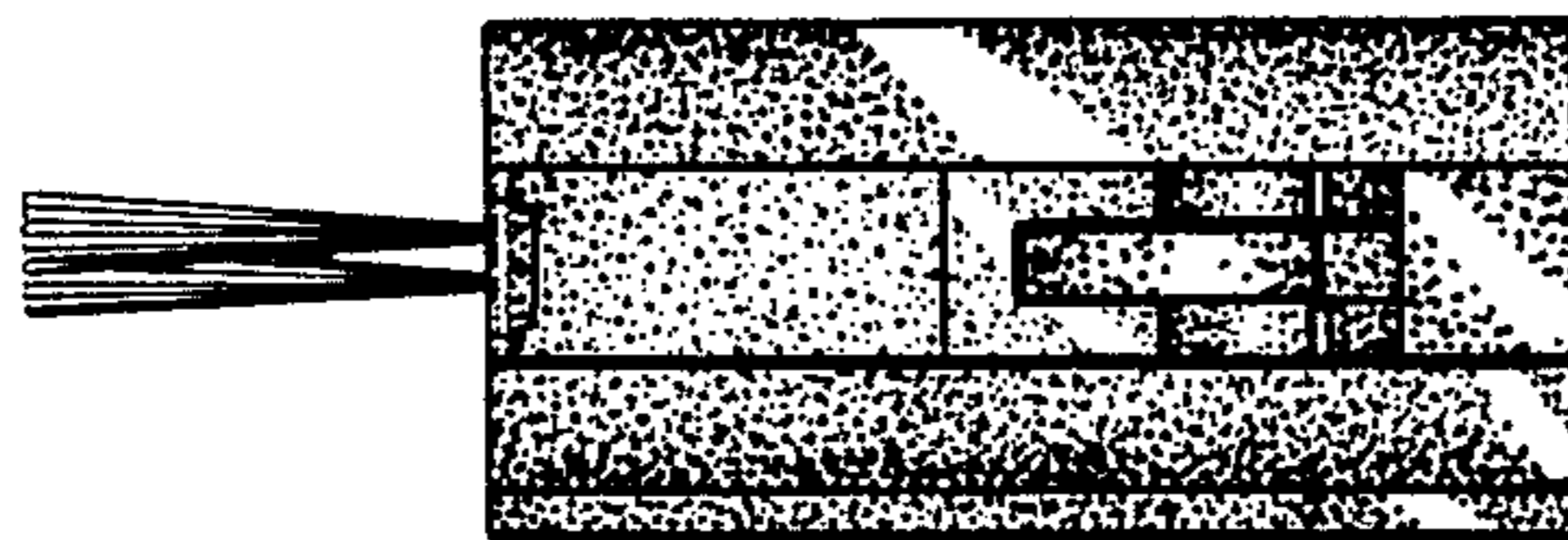


FIG. 12

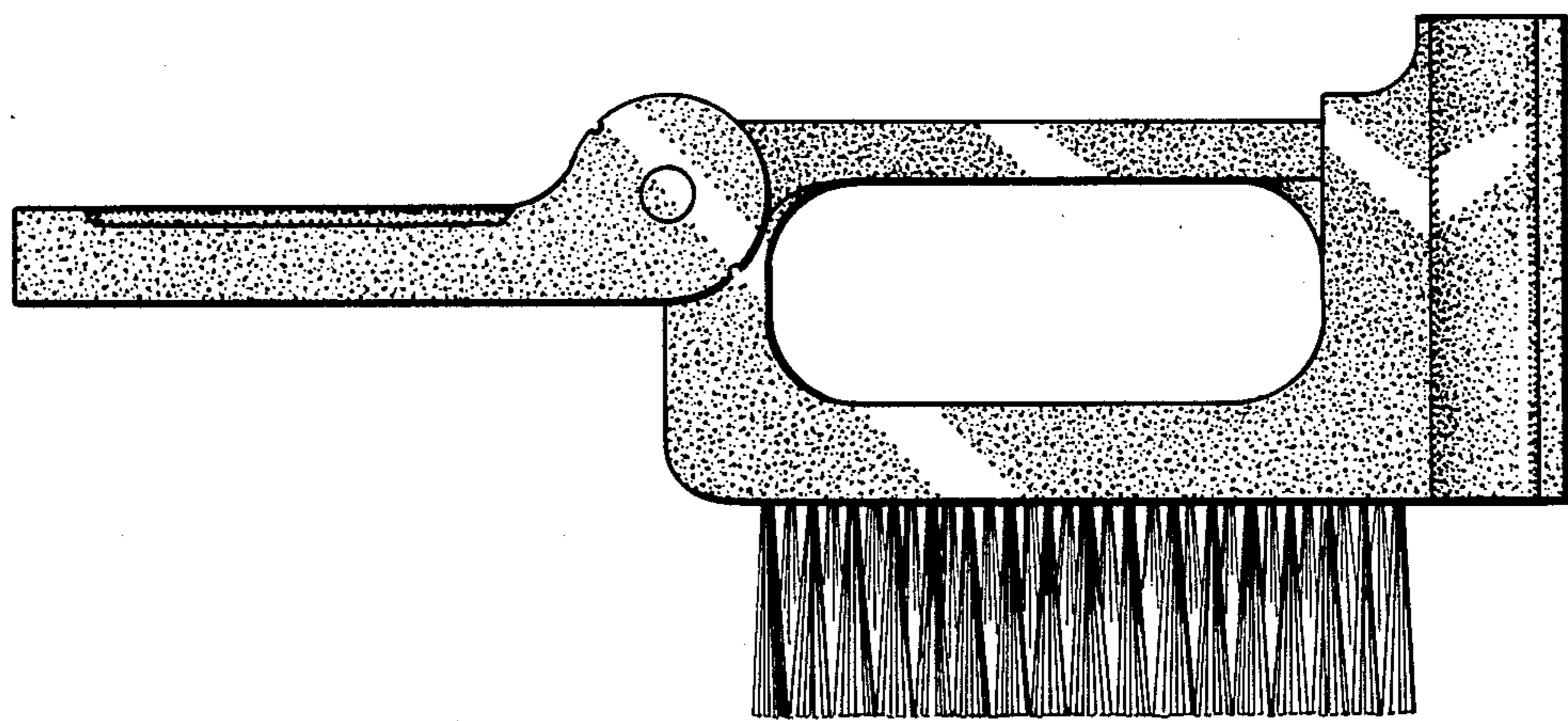


FIG. 13