

[54] COMBINED BRUSH, SHOEHORN AND COMBINATION TOOL FOR GOLF SHOES

[76] Inventor: Rene L. Ibanez, 3520 Jermantown Rd., Fairfax, Va. 22030

[**] Term: 14 Years

[21] Appl. No.: 1,669

[22] Filed: Jan. 8, 1987

[52] U.S. Cl. D4/116; D4/118; D32/47

[58] Field of Search D4/116-118, D4/121, 130-132, 134, 136, 199; D32/35, 40, 46-49; 15/104 R, 105-106, 111-112, 159 R, 159 A; D2/642

[56] References Cited

U.S. PATENT DOCUMENTS

- D. 133,998 10/1942 Parker D4/116
- D. 190,333 5/1961 Gunderson D4/118
- D. 191,498 10/1961 Chamberlain D4/118
- D. 281,742 12/1985 Pagnini D4/116

2,792,584 5/1957 Fryda 15/111 X

Primary Examiner—Wallace R. Burke
Assistant Examiner—Lavone D. Tabor
Attorney, Agent, or Firm—A. Robert Theibault

[57] CLAIM

The ornamental design for a combined brush, shoehorn and combination tool for golf shoes, as shown and described.

DESCRIPTION

FIG. 1 is a perspective view of combined brush, shoehorn and combination tool for golf shoes showing my new design.

FIG. 2 is a side elevational view thereof;

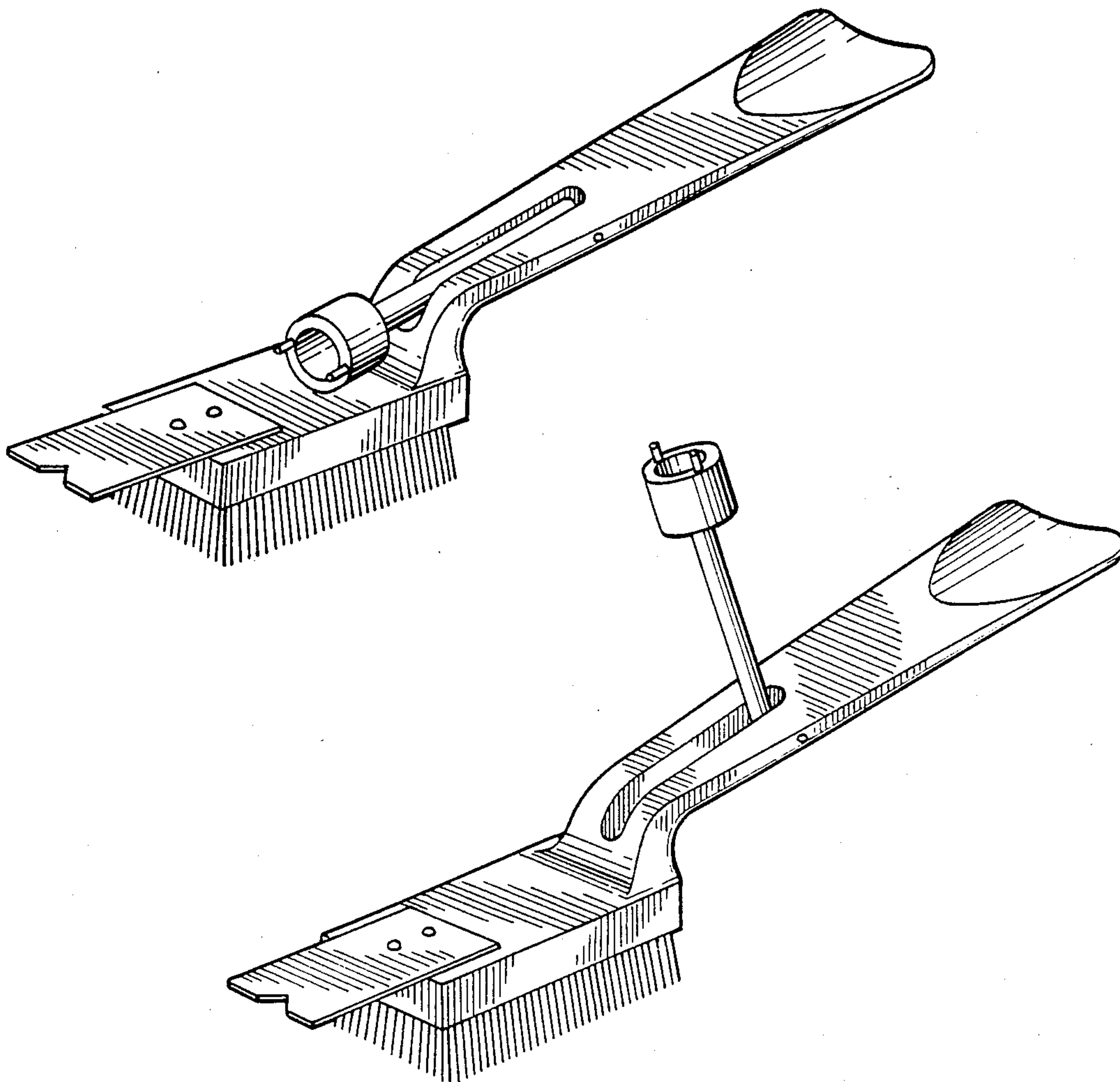
FIG. 3 is a top plan view thereof;

FIG. 4 is a bottom plan view thereof;

FIG. 5 is an end elevational view as seen from the left of FIG. 1;

FIG. 6 is an elevational view of the opposite end thereof; and

FIG. 7 is a perspective view thereof, shown with the cleat tool in raised condition.



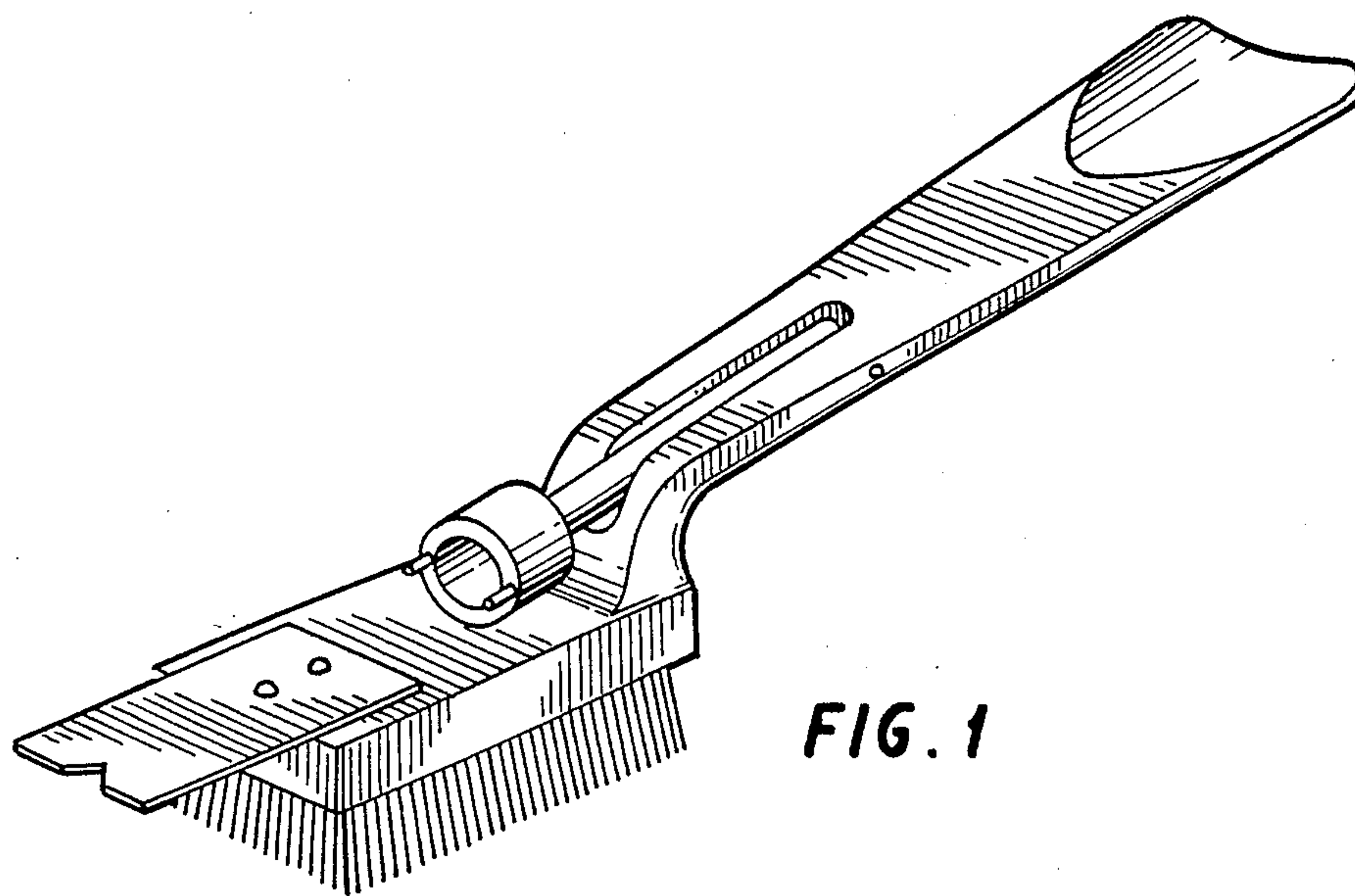


FIG. 1

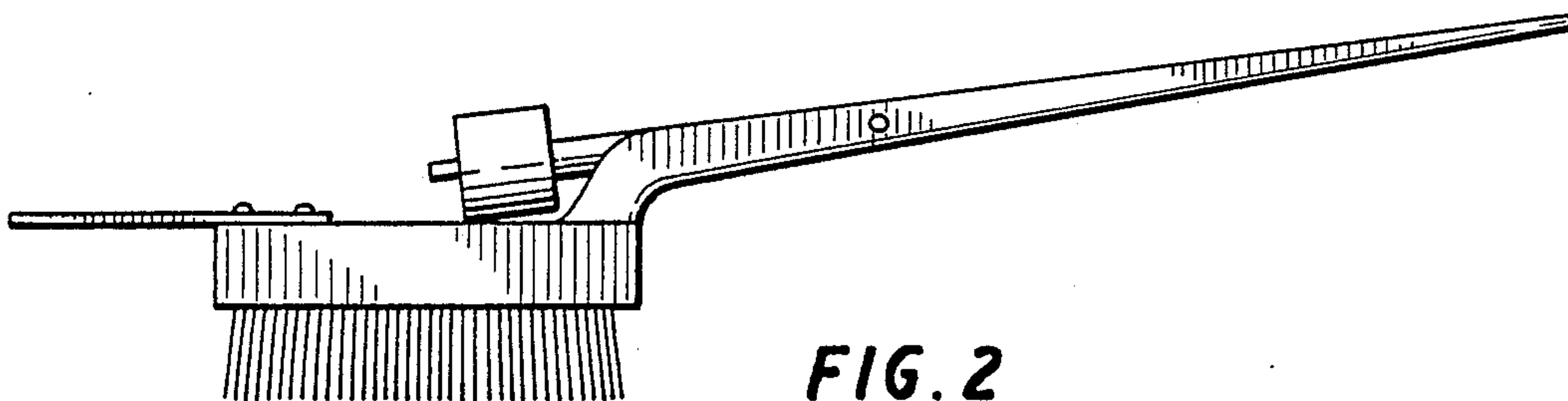


FIG. 2

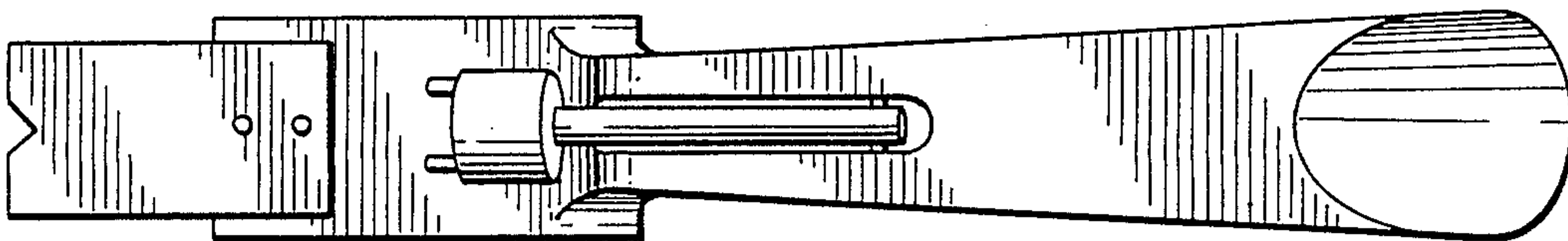


FIG. 3

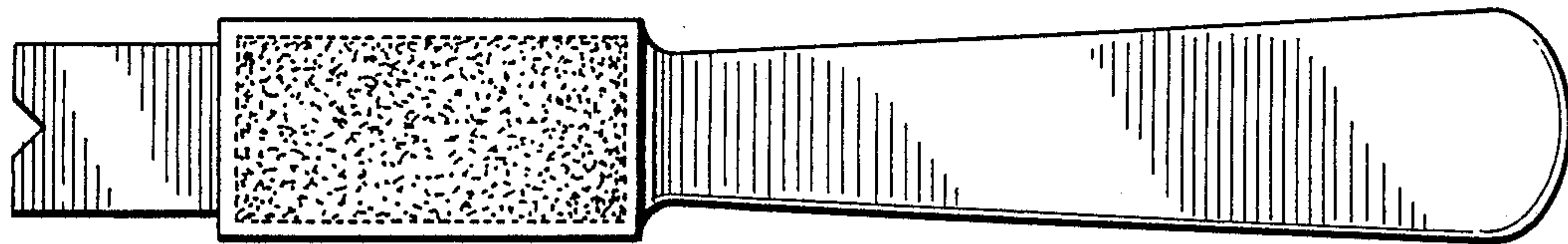


FIG. 4

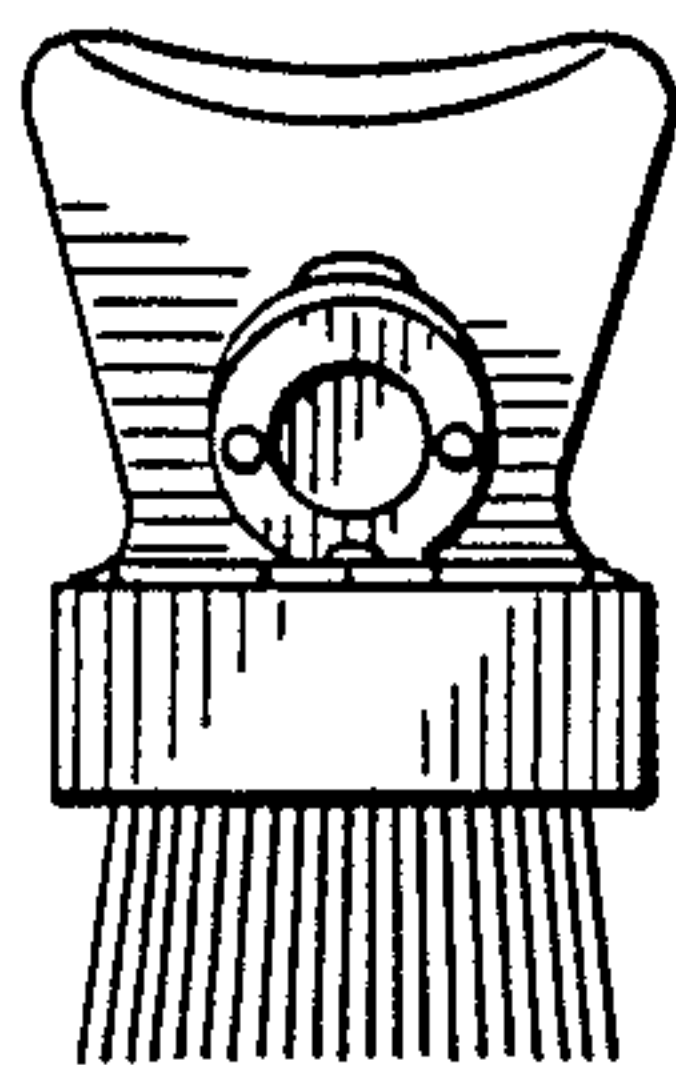


FIG. 5

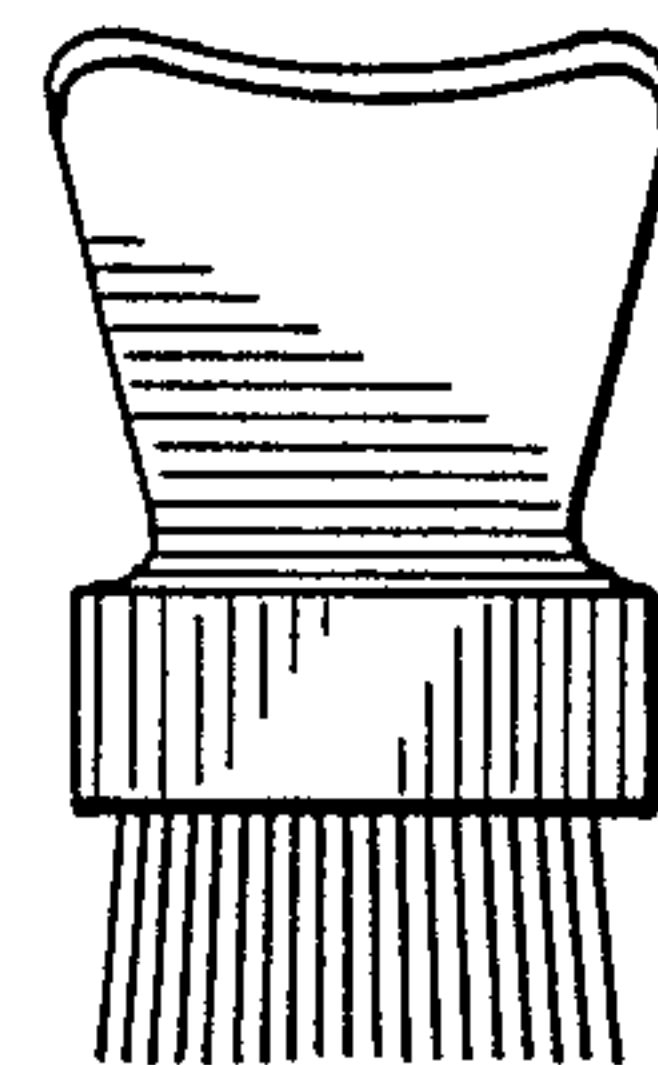


FIG. 6

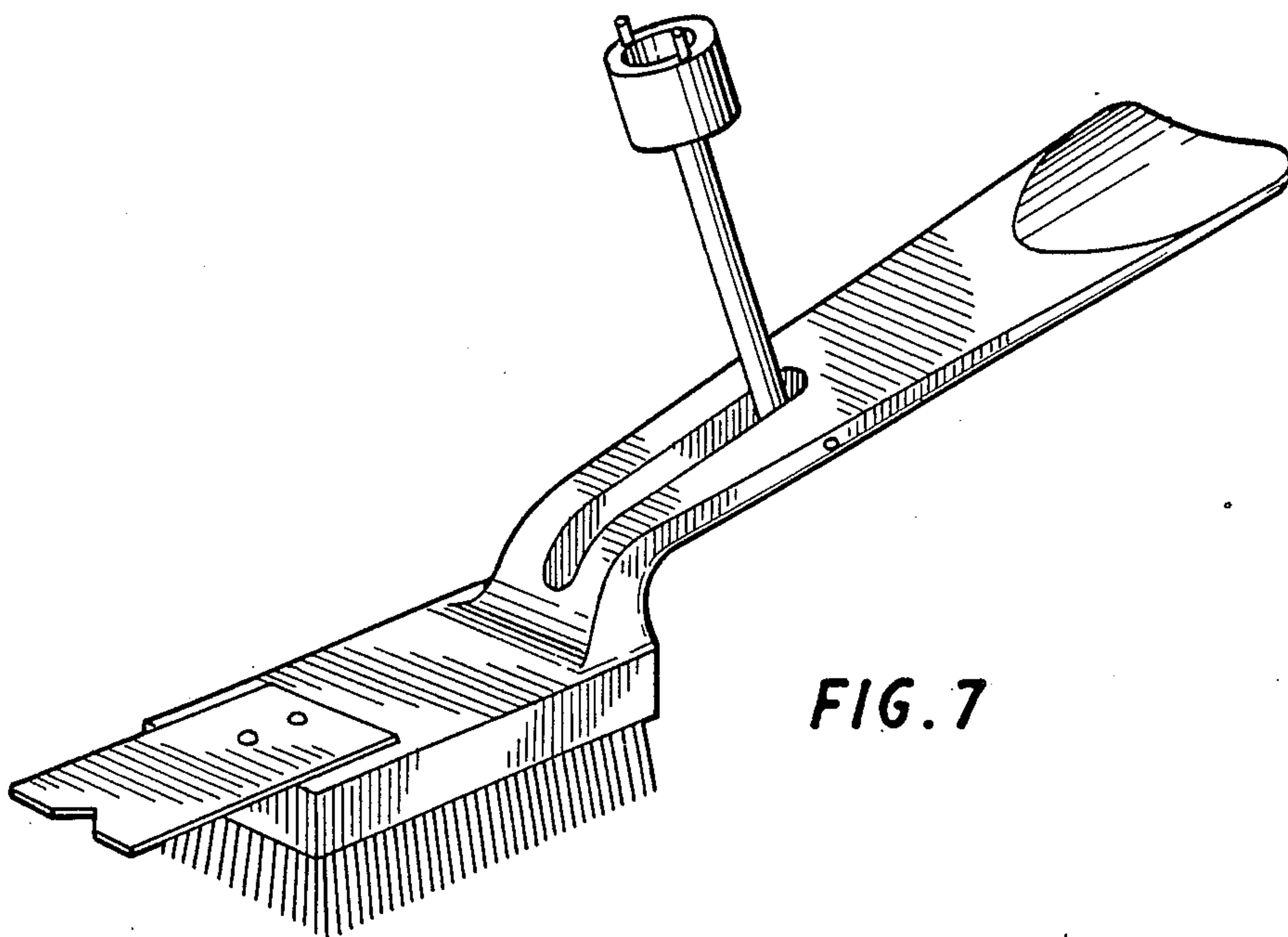


FIG. 7