

[54] COMBINED PILL CUTTER AND CONTAINER

[76] Inventor: Stephen H. Wolff, 222 E. 35th St., New York, N.Y. 10016

[**] Term: 14 Years

[21] Appl. No.: 877,277

[22] Filed: Jun. 23, 1986

[52] U.S. Cl. D3/74

[58] Field of Search D3/73, 74, 75

[56] References Cited

U.S. PATENT DOCUMENTS

- D. 182,511 4/1958 Hardy D3/75
- D. 232,523 8/1974 Nudell D3/74
- D. 246,508 11/1977 Nudell D3/74

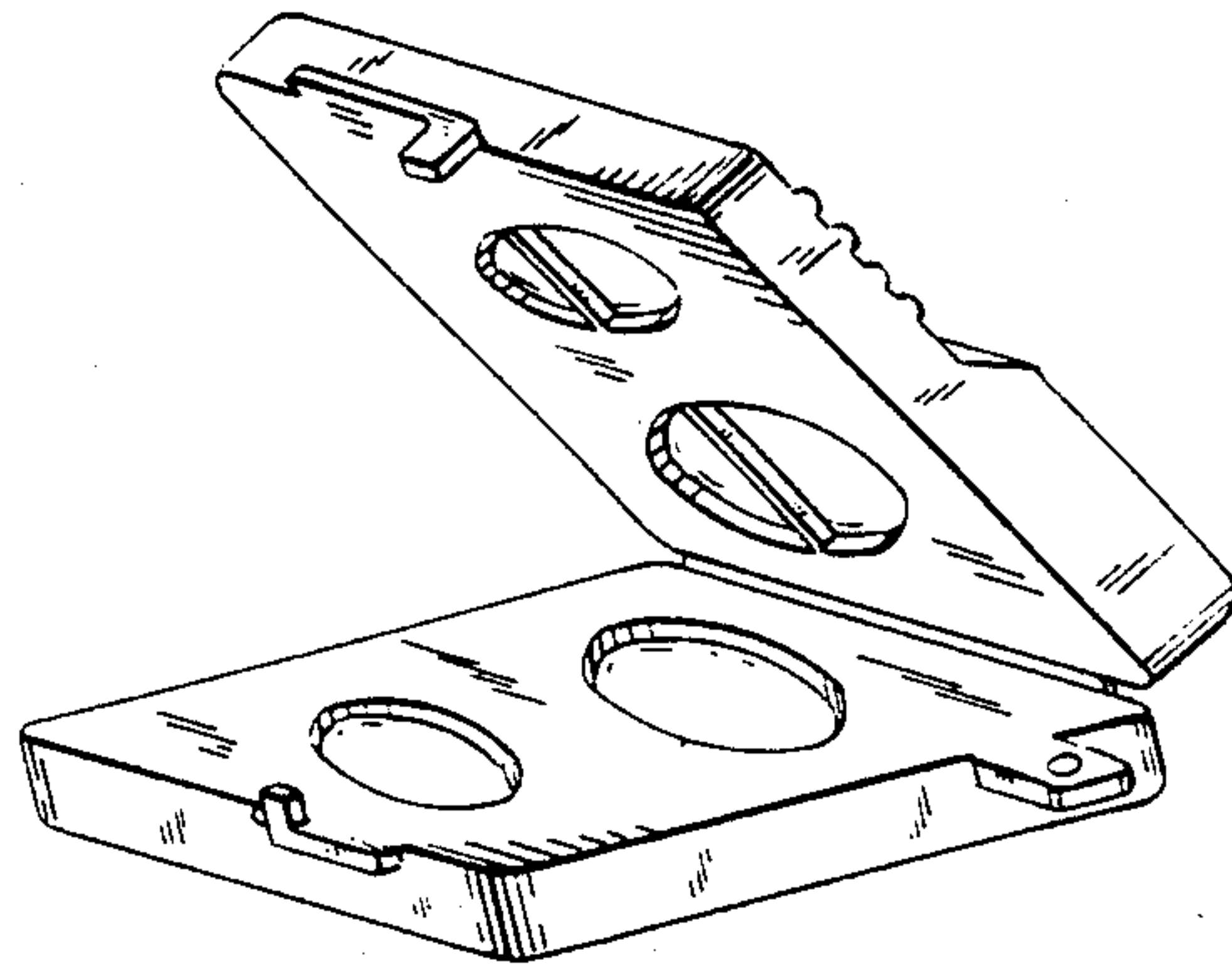
Primary Examiner—James R. Largen
Assistant Examiner—Y. Brunot
Attorney, Agent, or Firm—Jacobs & Jacobs

[57] CLAIM

The ornamental design for a combined pill cutter and container, as shown and described.

DESCRIPTION

FIG. 1 is a perspective view of a combined pill cutter and container showing my new design in an open position;
 FIG. 2 is a perspective view showing the container in its closed position;
 FIG. 3 is a top plan view of the container in another open position;
 FIG. 4 is a top plan view of FIG. 2;
 FIG. 5 is a front elevational view of FIG. 2;
 FIG. 6 is a bottom plan view of FIG. 2;
 FIG. 7 is a right side elevational view of FIG. 2;
 FIG. 8 is a left side elevational view of FIG. 2;
 FIG. 9 is a rear elevational view of FIG. 2;
 FIG. 10 is an enlarged fragmentary cross sectional view taken on line 10—10 of FIG. 6; and
 FIG. 11 is an enlarged cross sectional view taken on line 11—11 of FIG. 7.



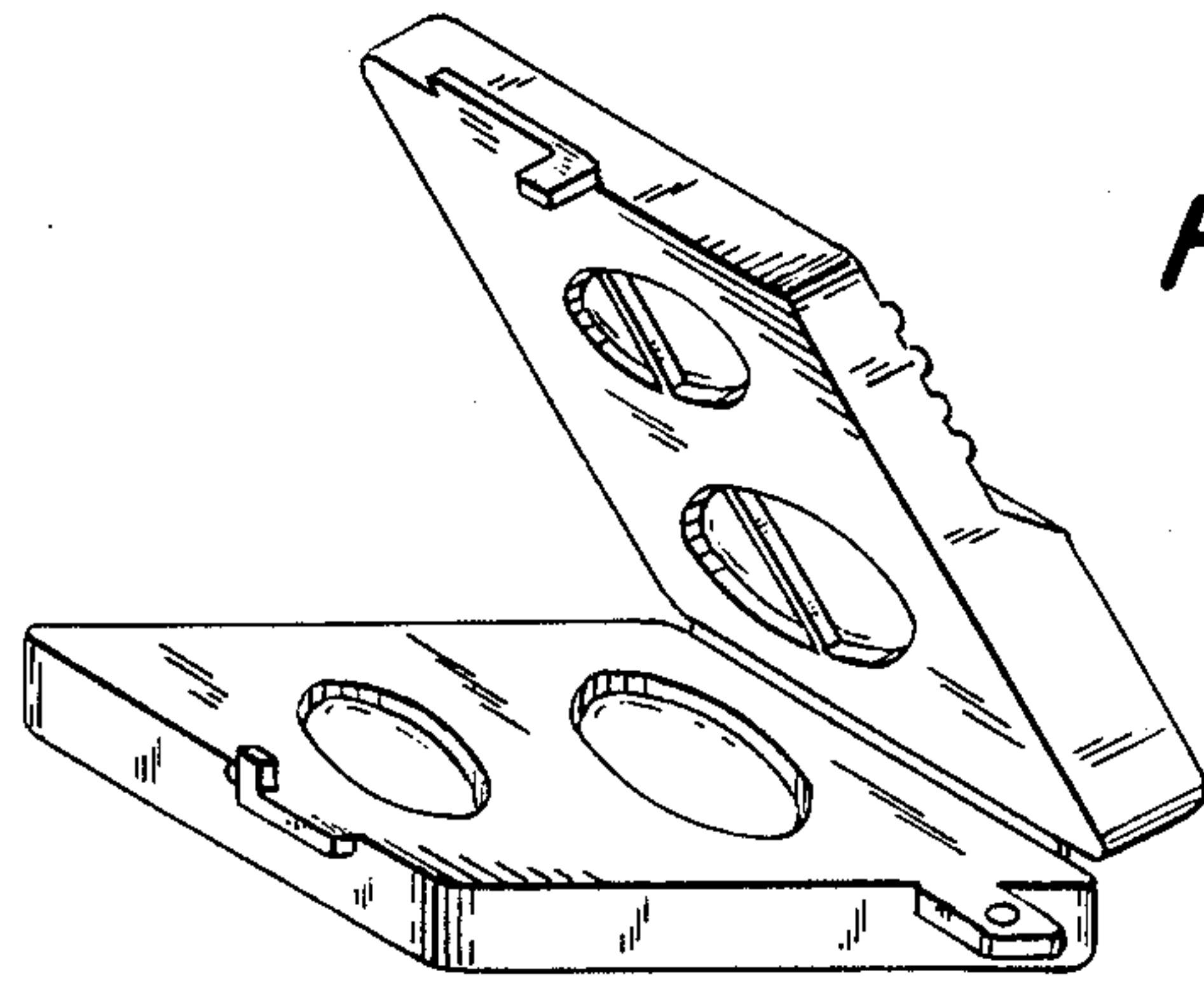


FIG. 1

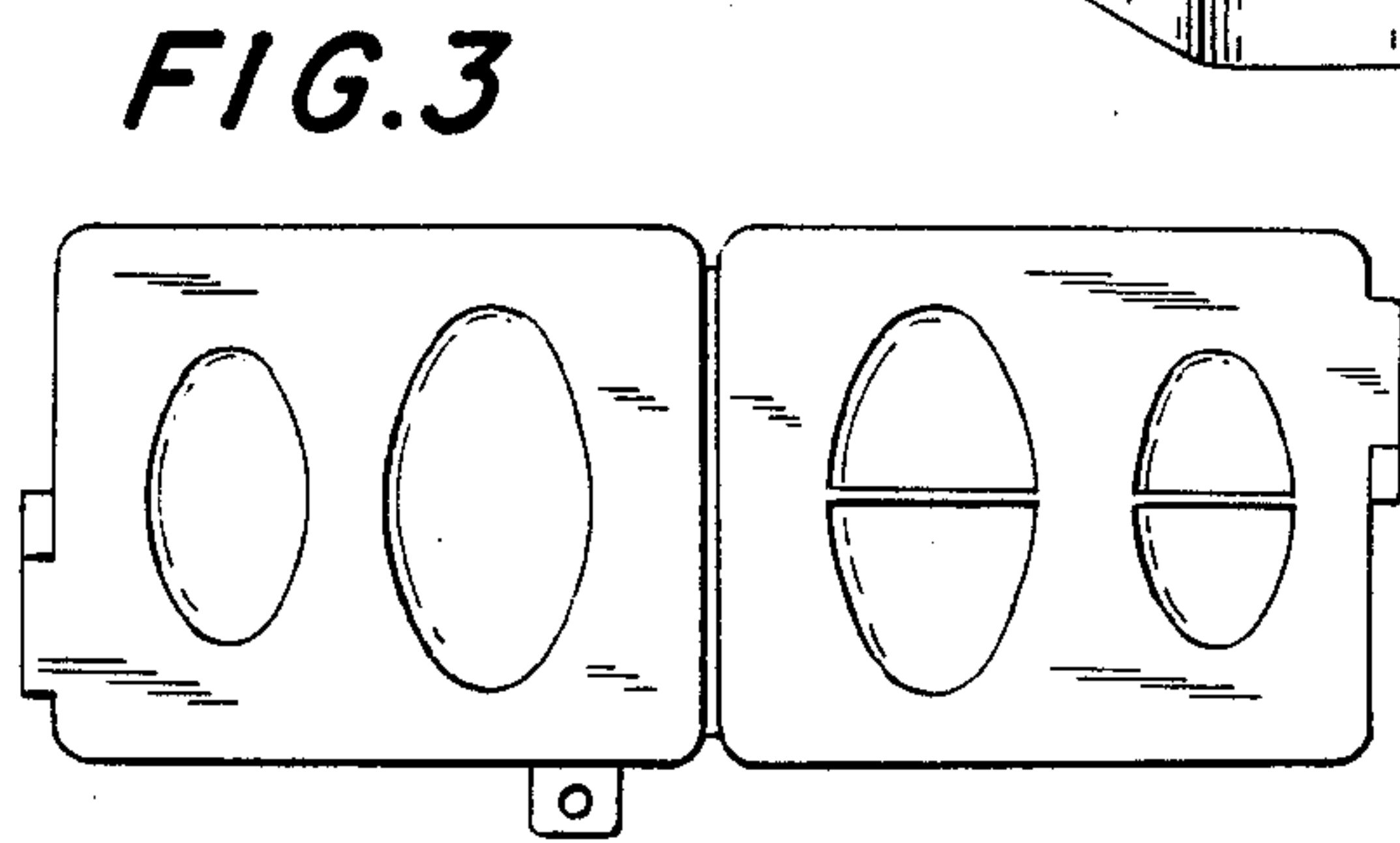


FIG. 3

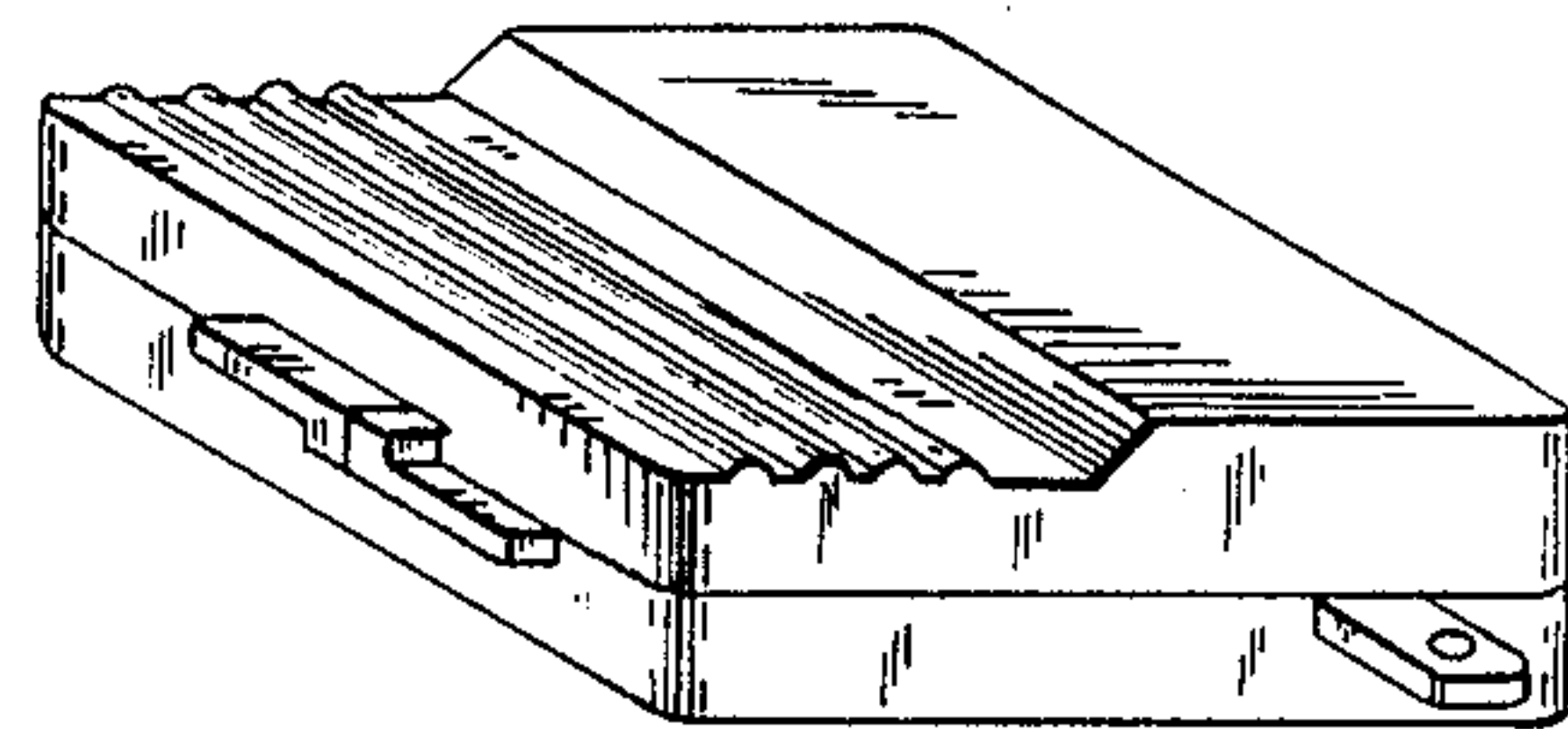


FIG. 2

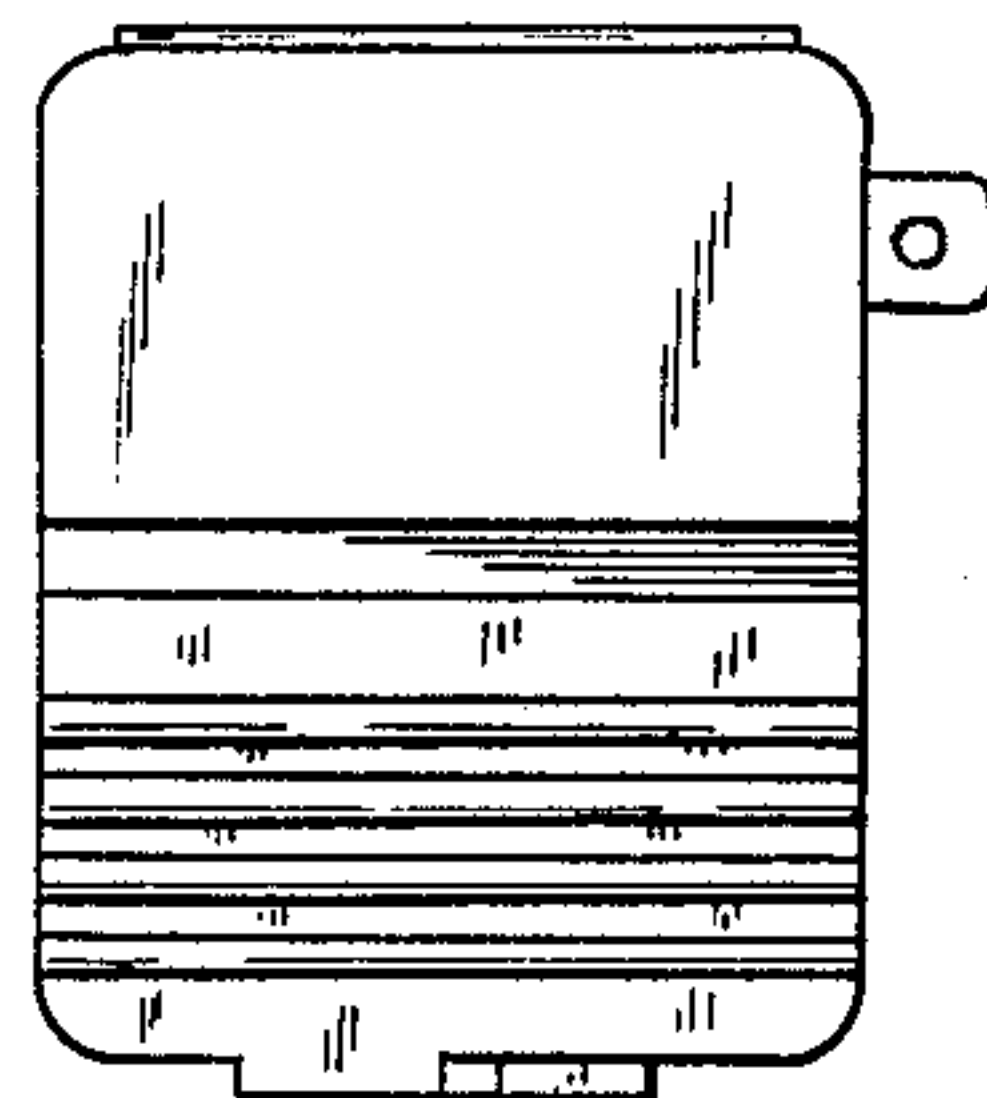


FIG. 4



FIG. 11

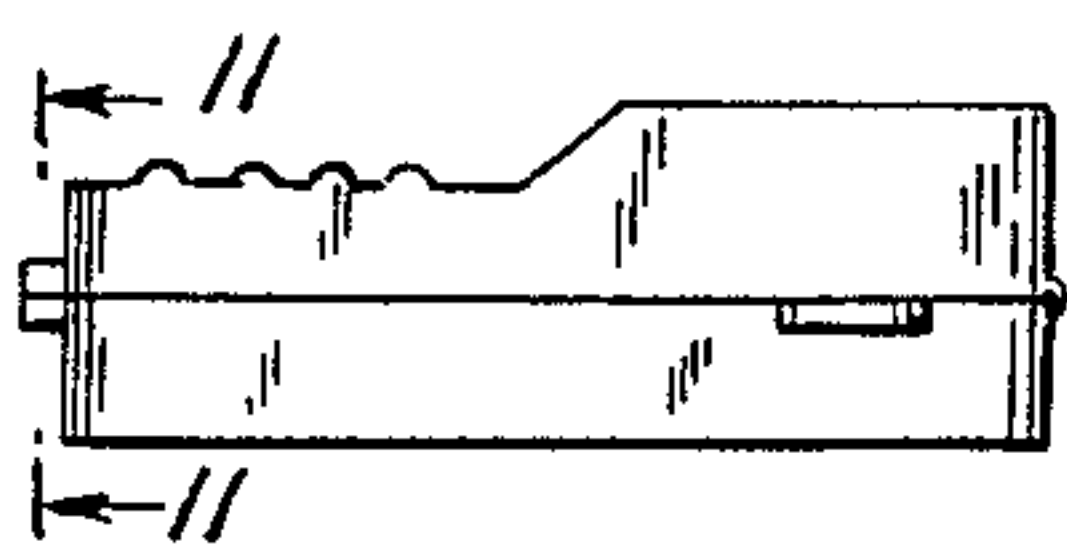


FIG. 7



FIG. 5



FIG. 8

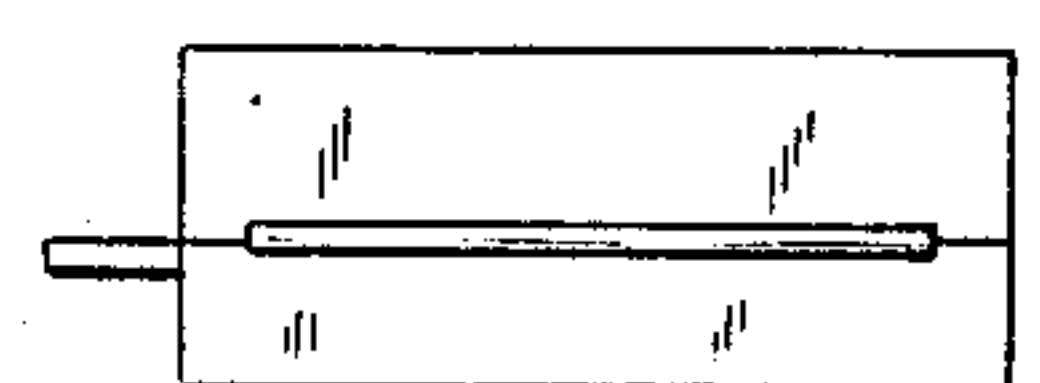


FIG. 9

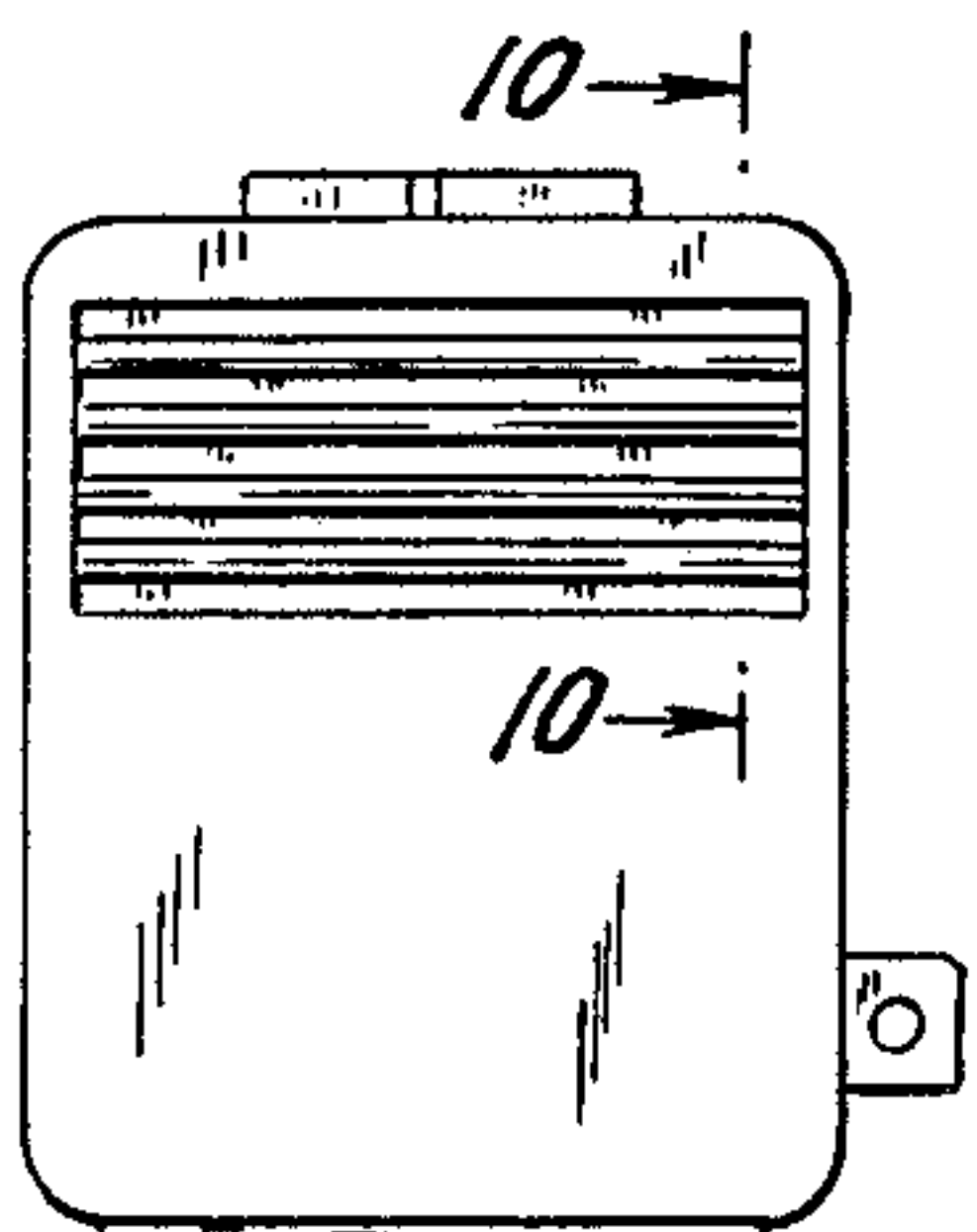


FIG. 6



FIG. 10