

[54] **COVERED DISHRACK CONTAINER**  
[76] **Inventor: Margaret A. Laguerra, 4403 Fourteenth St., NW., Apt. 46, Washington, D.C. 20011**  
[\*\*] **Term: 14 Years**  
[21] **Appl. No.: 879,555**  
[22] **Filed: Jun. 27, 1986**  
[52] **U.S. Cl. .... D3/74; D7/626**  
[58] **Field of Search ..... D3/73, 74, 75; D34/43, D34/44, 45; D7/76**

[56] **References Cited**  
**U.S. PATENT DOCUMENTS**  
D. 193,909 10/1962 Bloch ..... D7/76  
D. 198,426 6/1964 Nupp ..... D3/73  
D. 235,488 6/1975 Swaim ..... D34/44  
D. 269,218 5/1983 Berman ..... D34/44

*Primary Examiner*—Nelson C. Holtje  
*Assistant Examiner*—Y. Brunot  
*Attorney, Agent, or Firm*—Nicholas J. Aquilino

[57] **CLAIM**  
The ornamental design for a covered dishrack container, as shown and described.

**DESCRIPTION**  
FIG. 1 is a front perspective view of a covered dishrack container showing my new design.  
FIG. 2 is a front elevational view.  
FIG. 3 is a top plan view.  
FIG. 4 is a side elevational view, the opposite side being a mirror image thereof.  
FIG. 5 is a bottom plan view.  
FIG. 6 is a cross-section taken along the line 6—6 of FIG. 2.  
FIG. 7 is a perspective view in exploded condition.

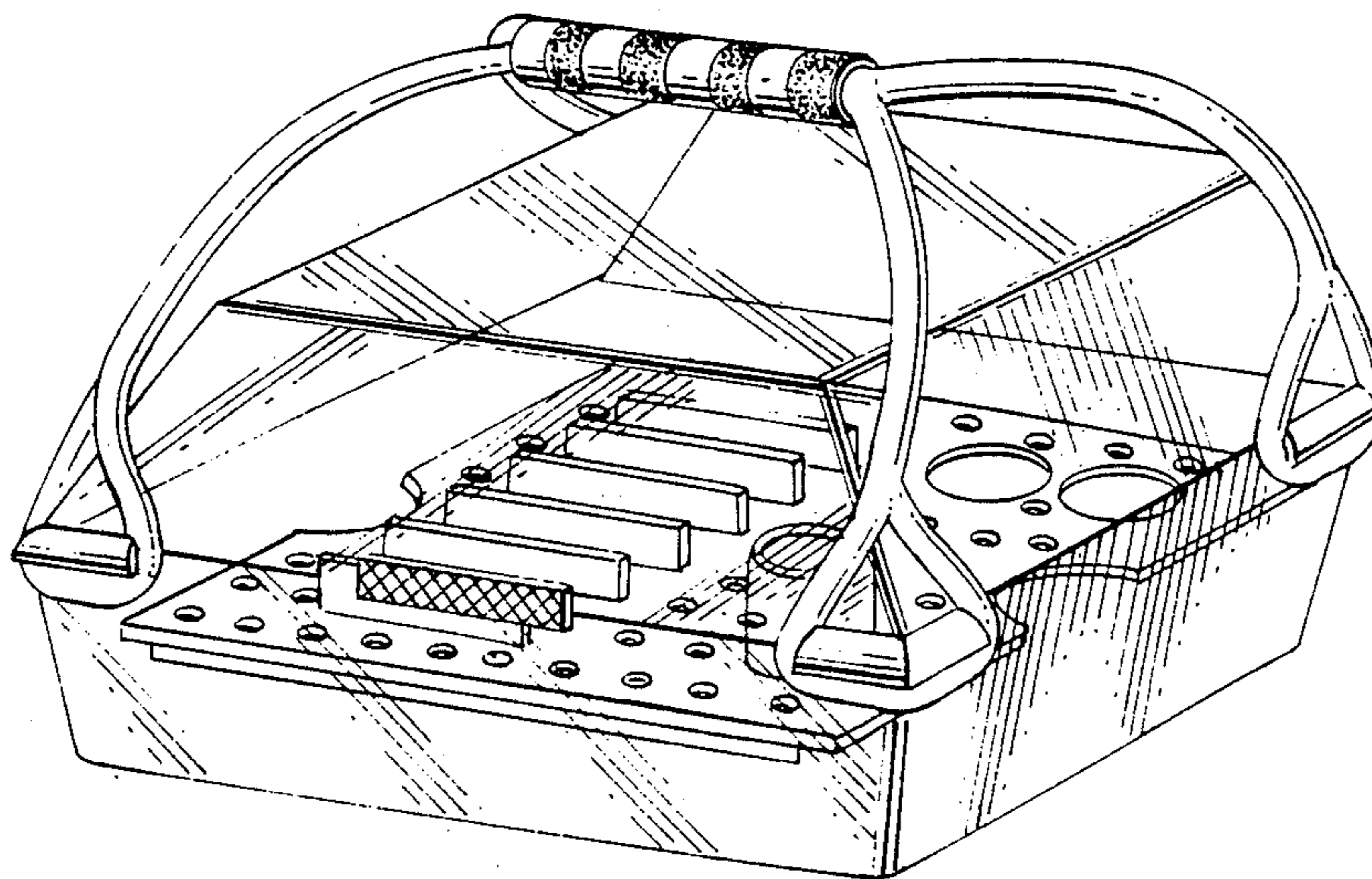


FIG. 1

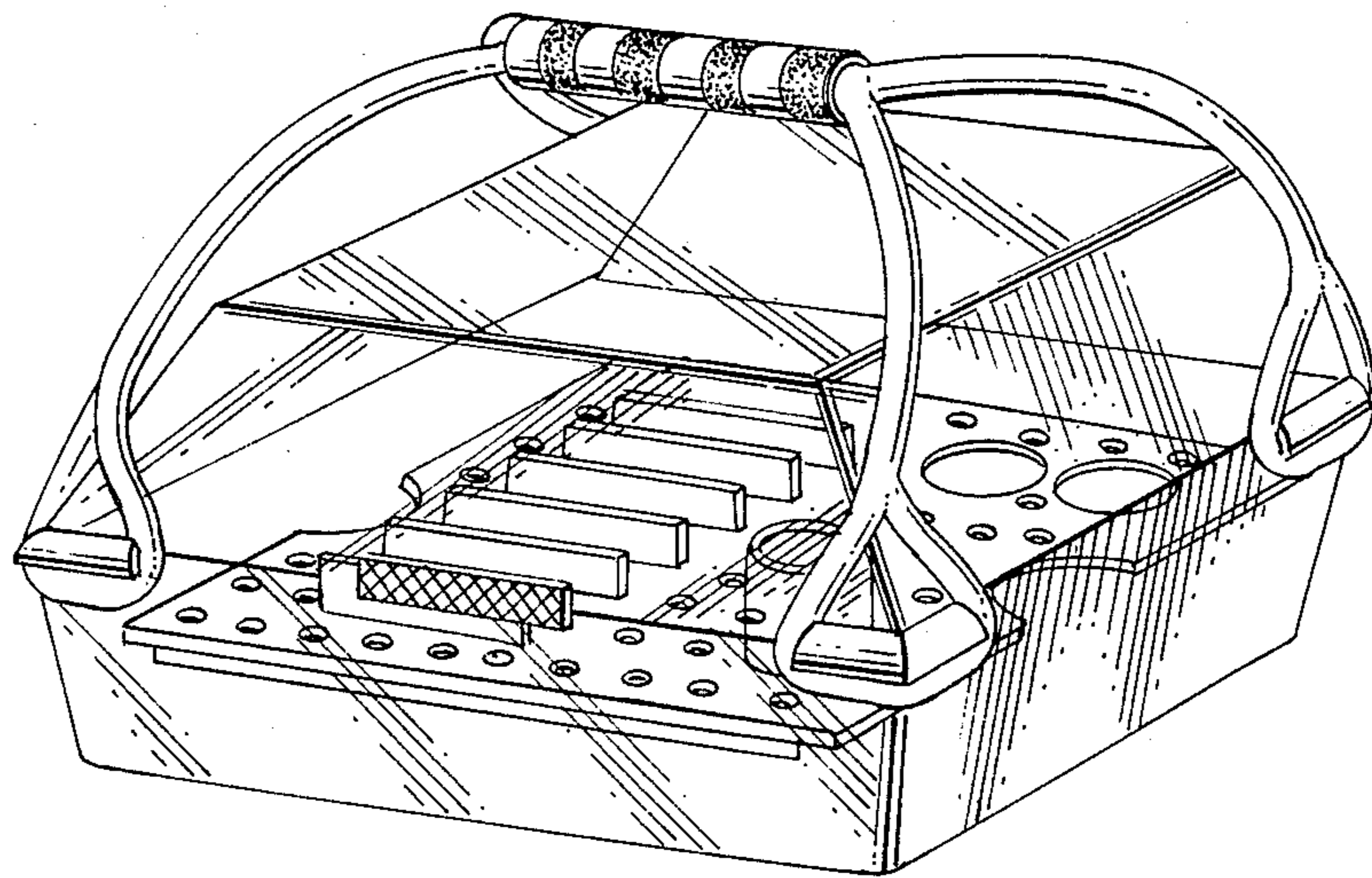


FIG. 2

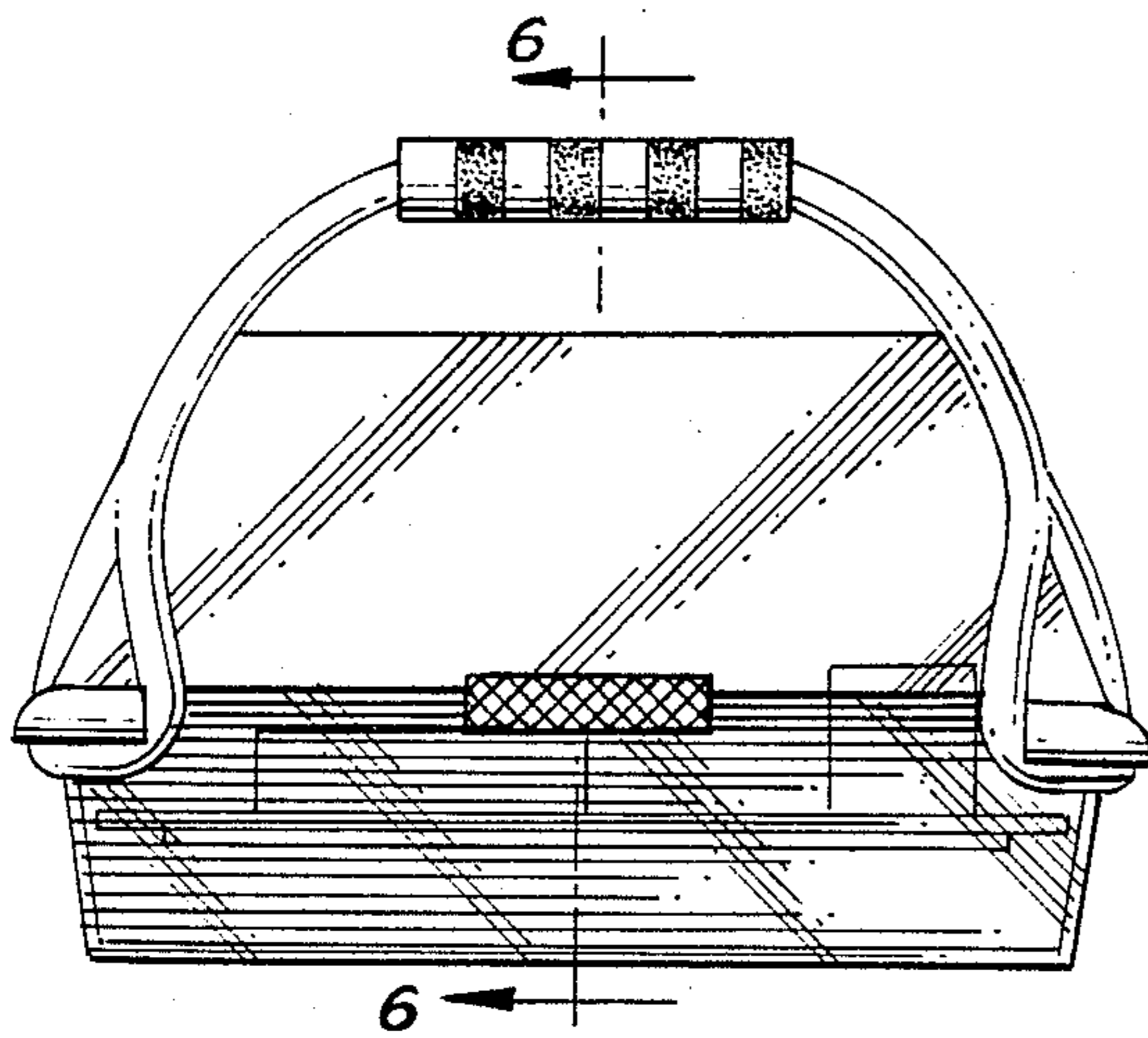


FIG. 4

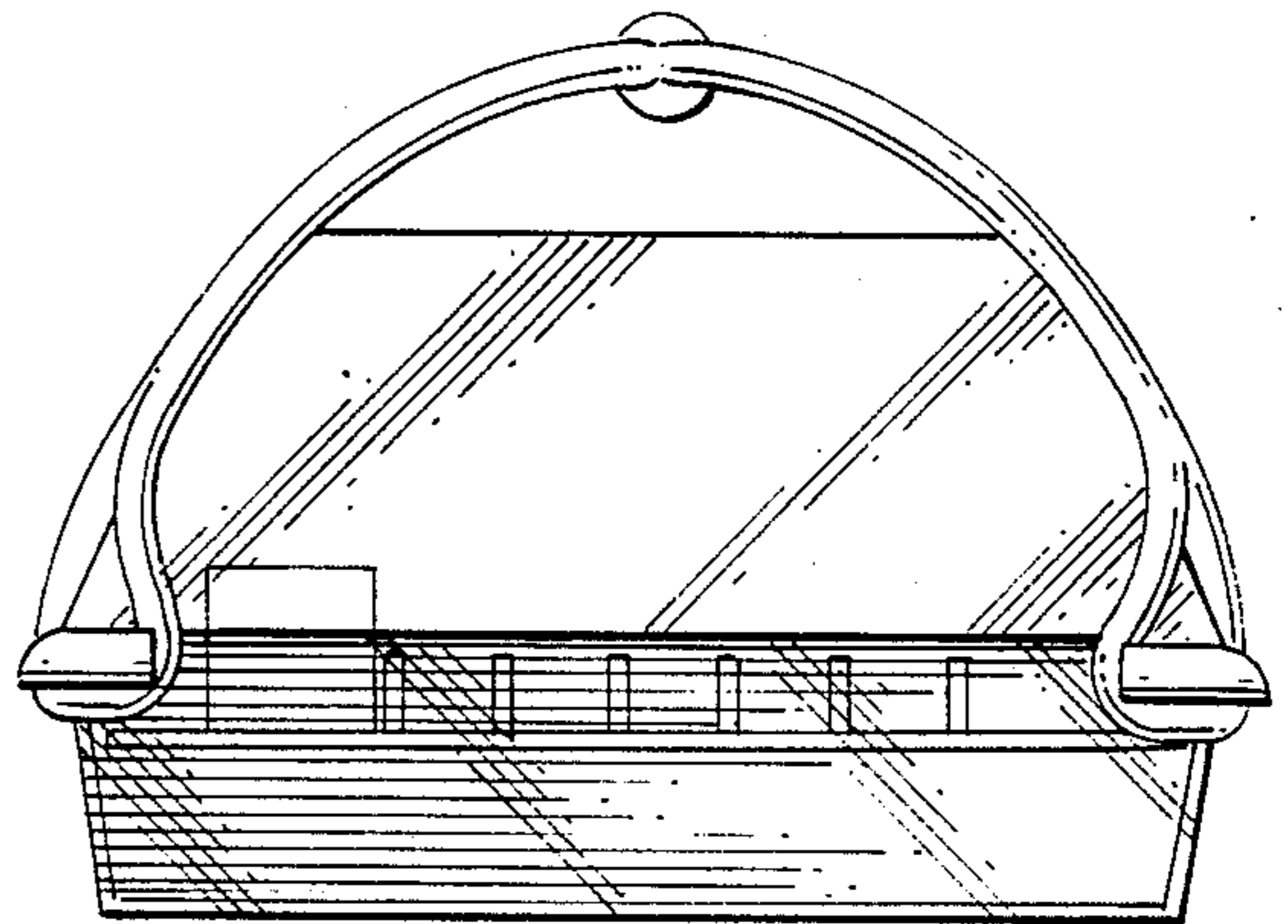


FIG. 3

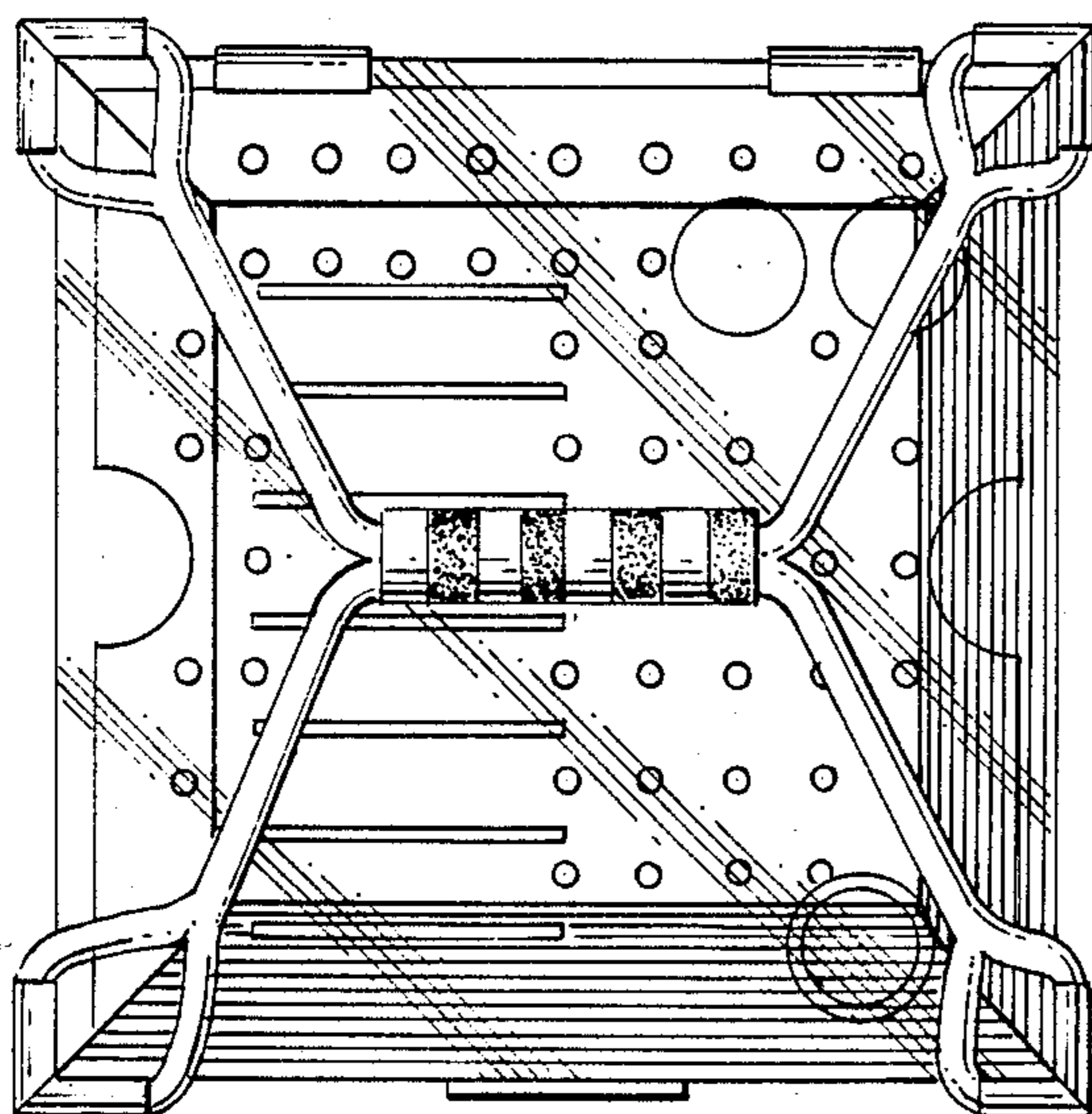


FIG. 5

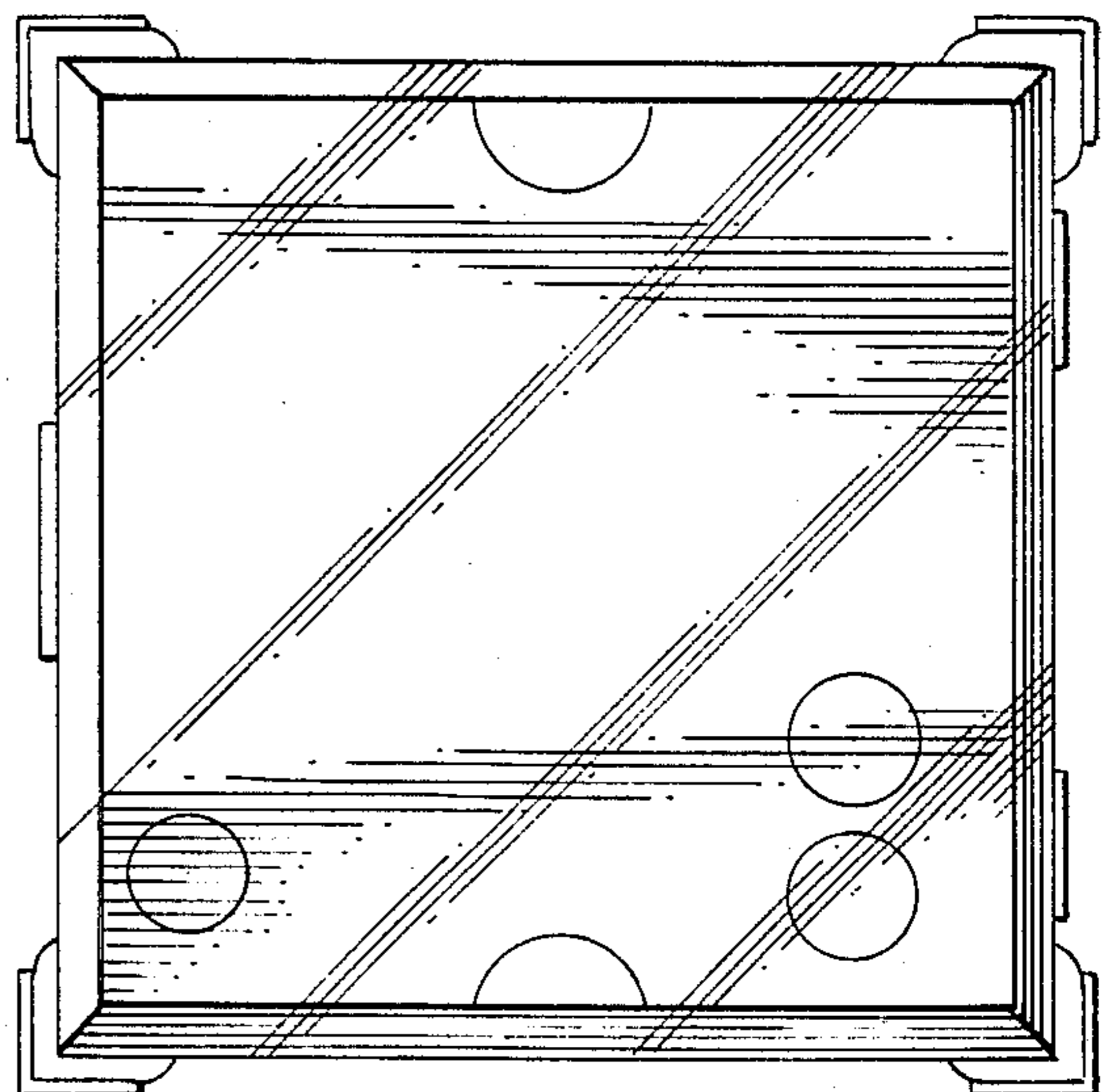


FIG. 6

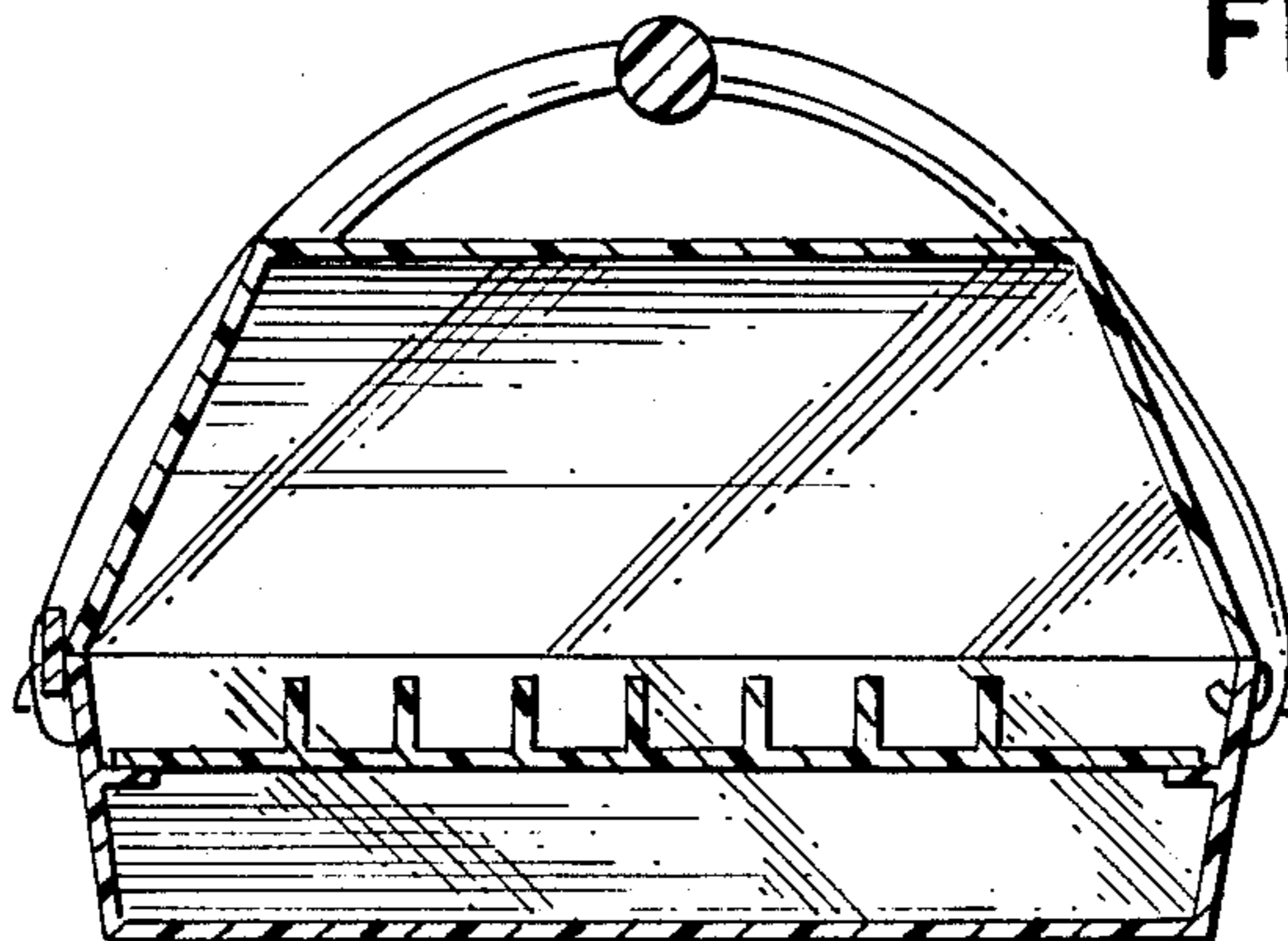


FIG. 7

