

United States Patent [19]

Kawada

[11] Patent Number: **Des. 305,949**

[45] Date of Patent: **** Feb. 6, 1990**

[54] **LIFT FOR MOVING A CONTAINER WITH CASTORS**

[75] Inventor: **Hiroyuki Kawada, Hekinan, Japan**

[73] Assignee: **Sugiyasu Industries Co., Ltd., Aichi, Japan**

[**] Term: **14 Years**

[21] Appl. No.: **190,940**

[22] Filed: **May 6, 1988**

[30] **Foreign Application Priority Data**

Mar. 20, 1988 [JP] Japan 63-11,161

[52] U.S. Cl. **D34/31**

[58] Field of Search D34/28, 31; 254/2 R, 254/2 B, 93 R; 180/19.1; 280/43.12

[56] **References Cited**

U.S. PATENT DOCUMENTS

2,618,490 11/1952 Frischmann 280/43.12
3,187,829 6/1965 Ulinski 180/19.1
3,188,106 6/1965 Ulinski 254/2 R

4,223,901 9/1980 Klemick 280/43.12
4,589,669 5/1986 Kedem 254/2 R
4,669,561 6/1987 Sheen 280/43.12

FOREIGN PATENT DOCUMENTS

61-41195 3/1986 Japan .

Primary Examiner—Wallace R. Burke
Assistant Examiner—Kay H. Chin
Attorney, Agent, or Firm—Lahive & Cockfield

[57] **CLAIM**

The ornamental design for a lift for moving a container with castors, as shown and described.

DESCRIPTION

FIG. 1 is a top and left side perspective view of a lift for moving a container with castors showing my new design.

FIG. 2 is a front elevational view thereof.

FIG. 3 is a rear elevational view thereof.

FIG. 4 is a top plan view thereof.

FIG. 5 is a bottom plan view thereof.

FIG. 6 is a left side elevational view thereof.

FIG. 7 is a right side elevational view thereof.

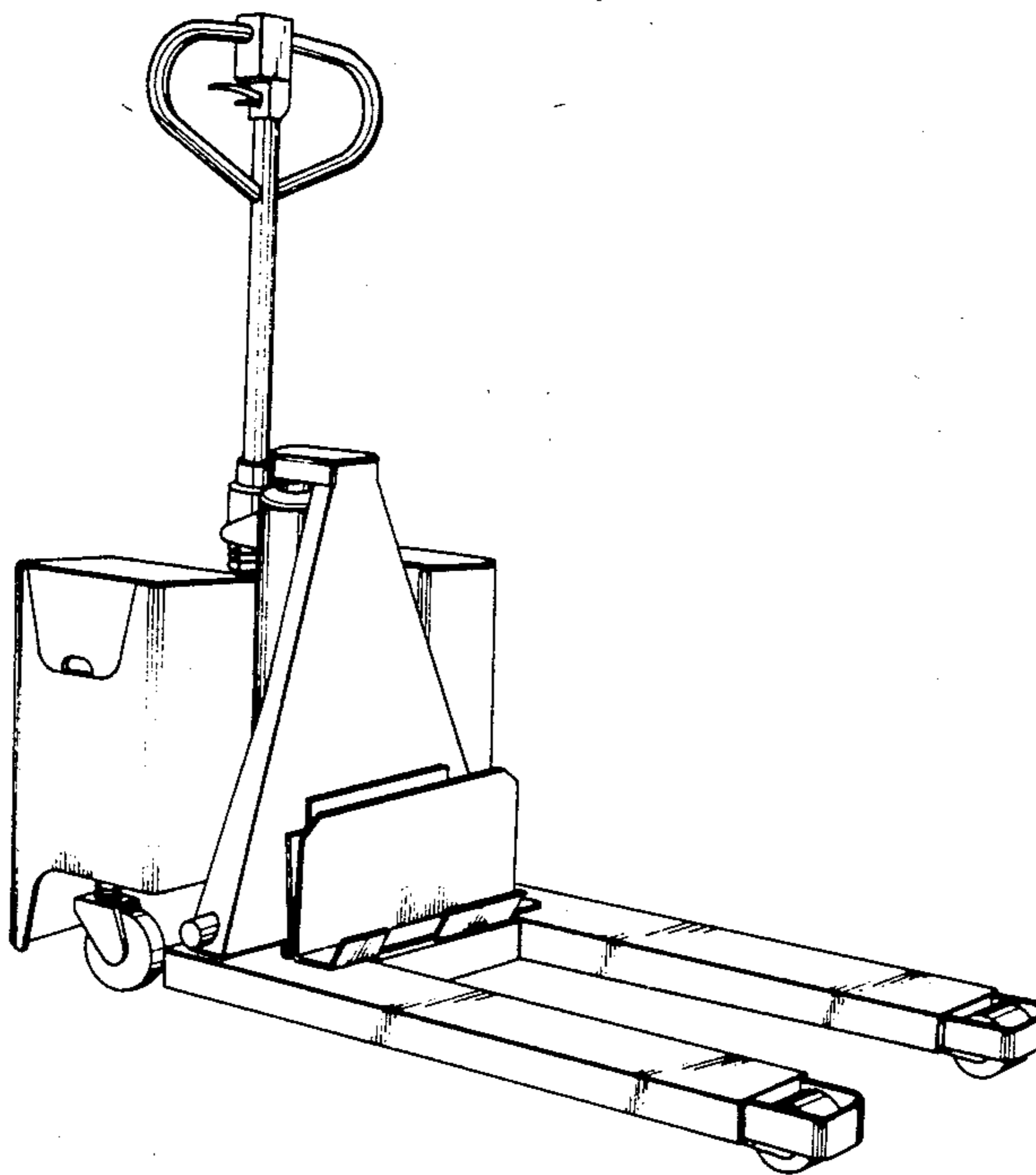


FIG. 1

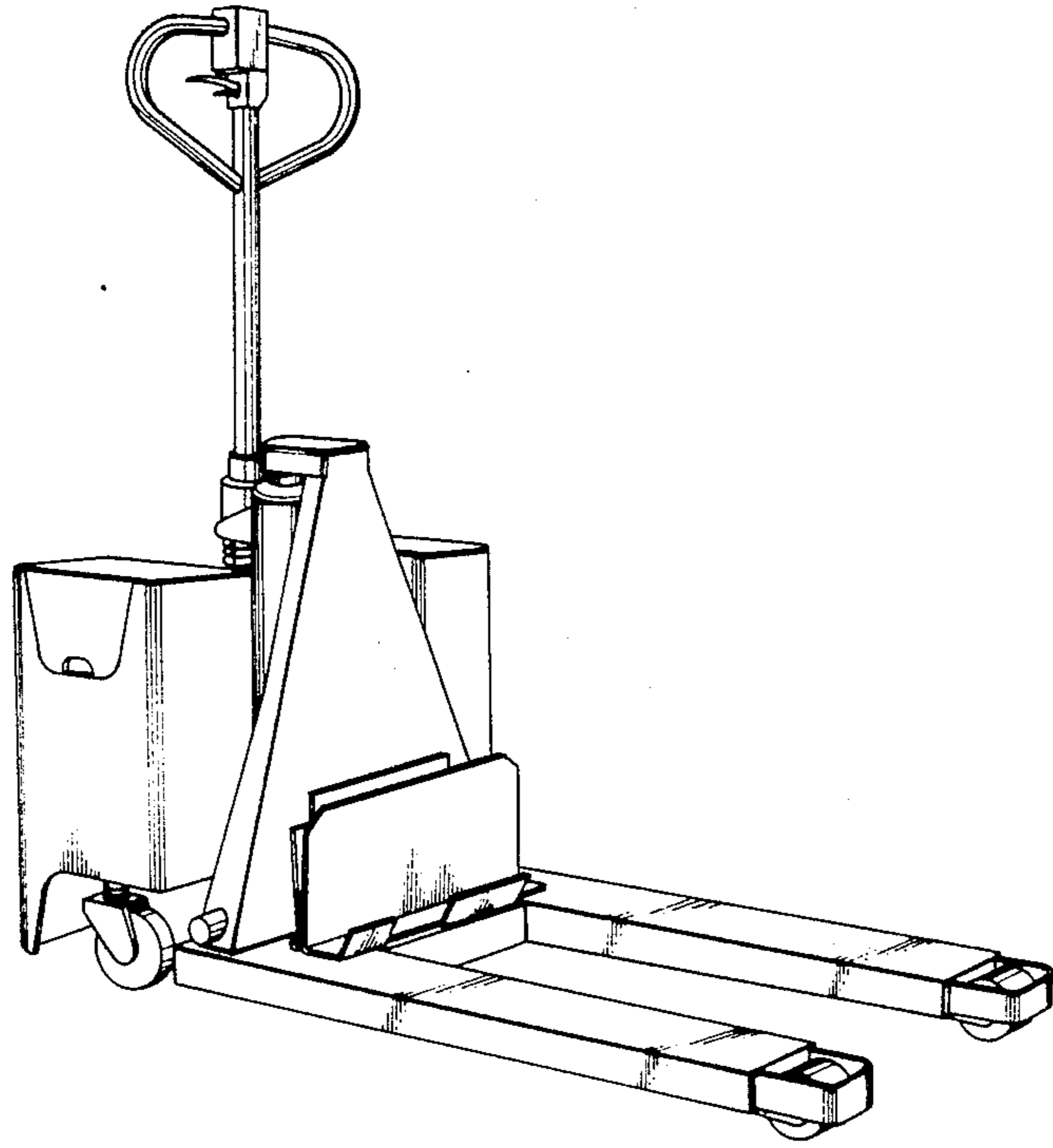


FIG. 2

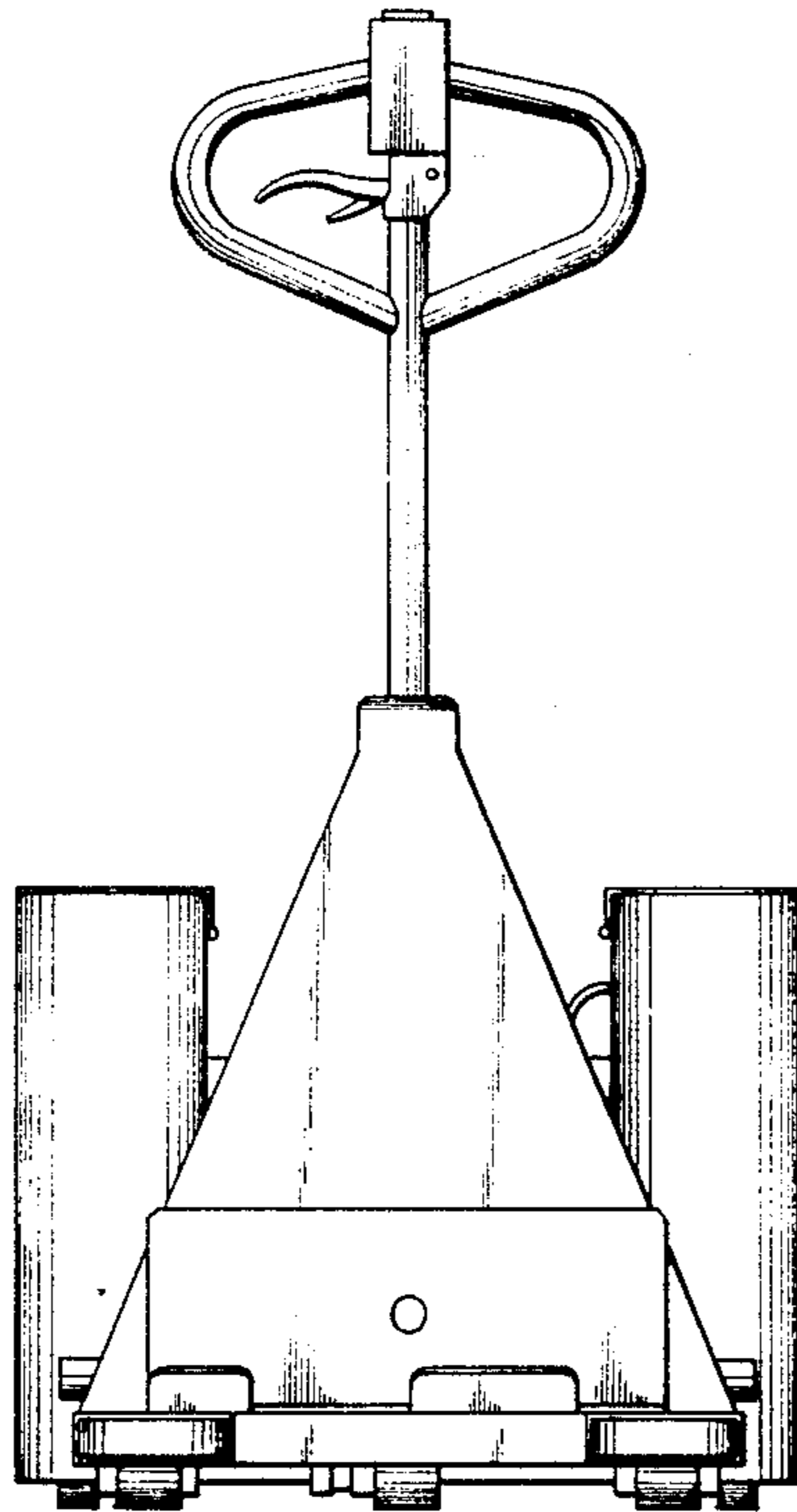


FIG. 3

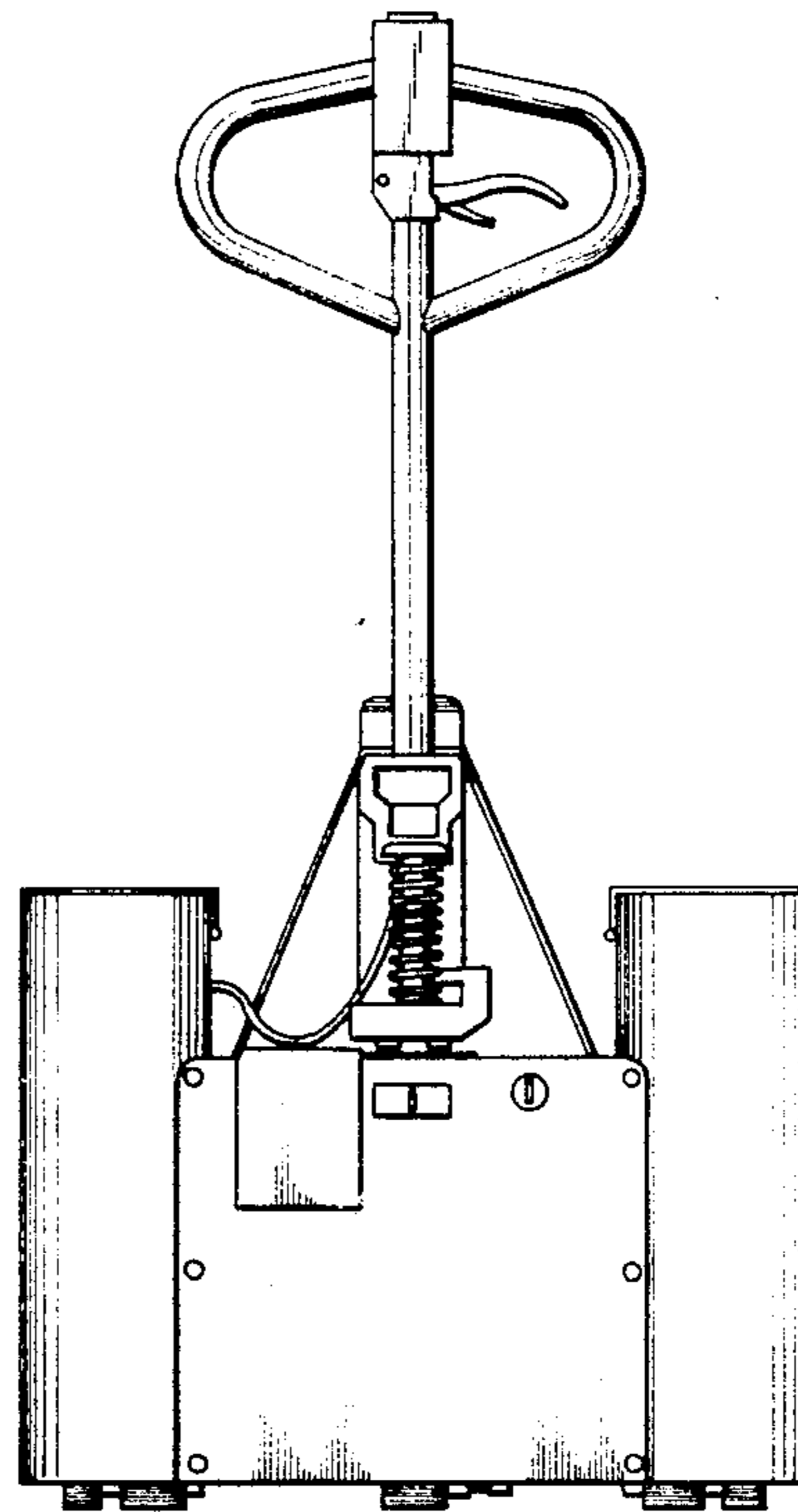


FIG. 4

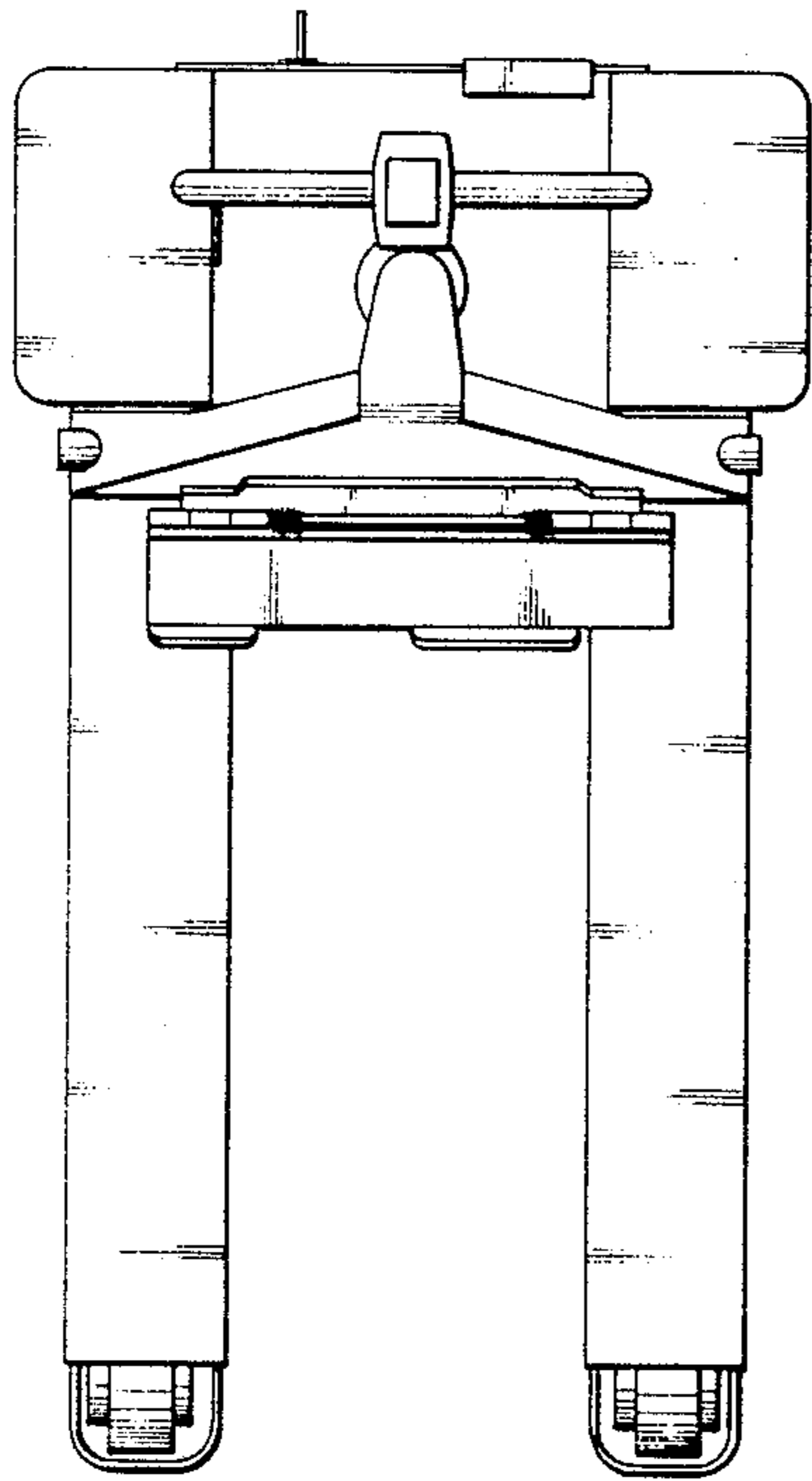


FIG. 5

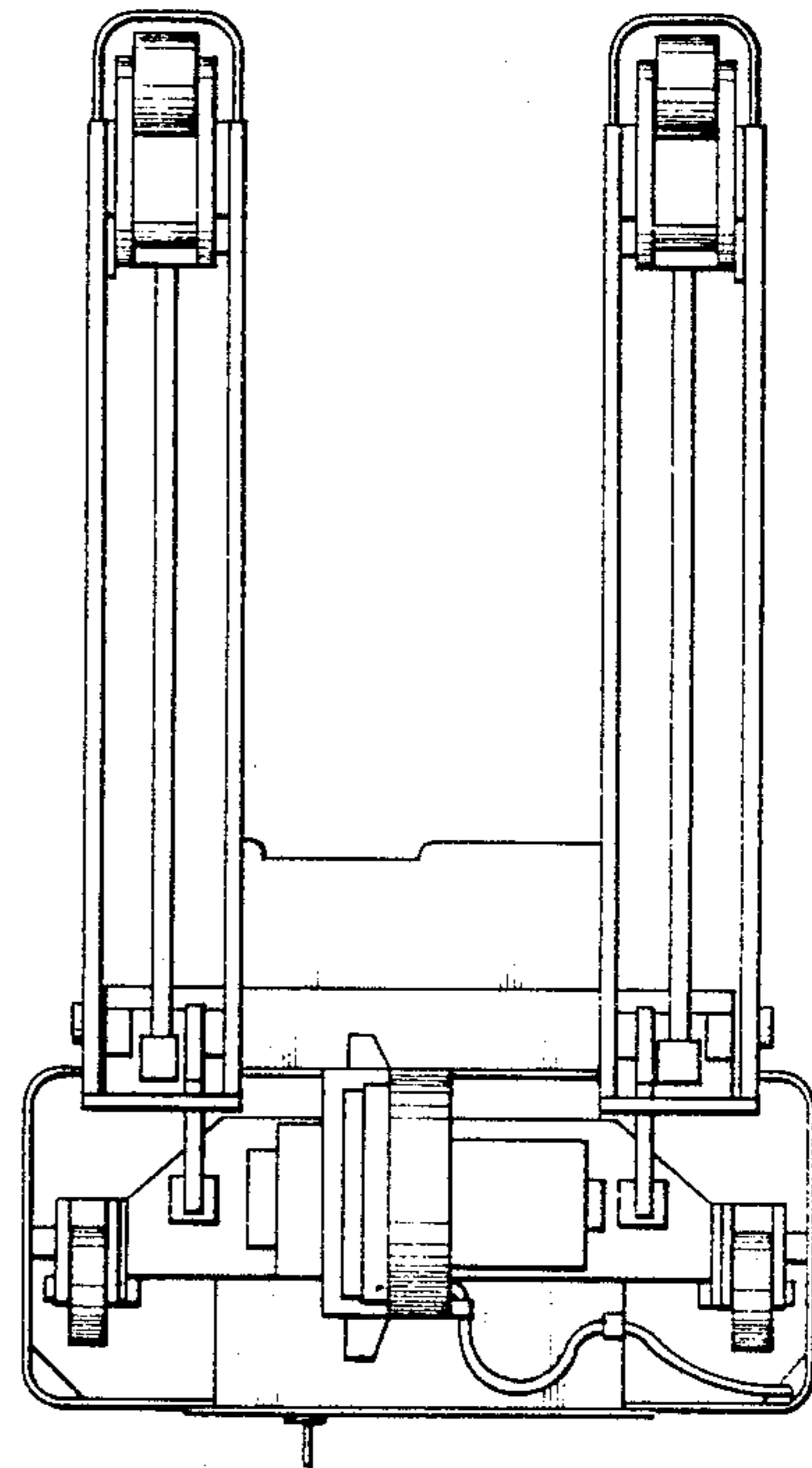


FIG. 6

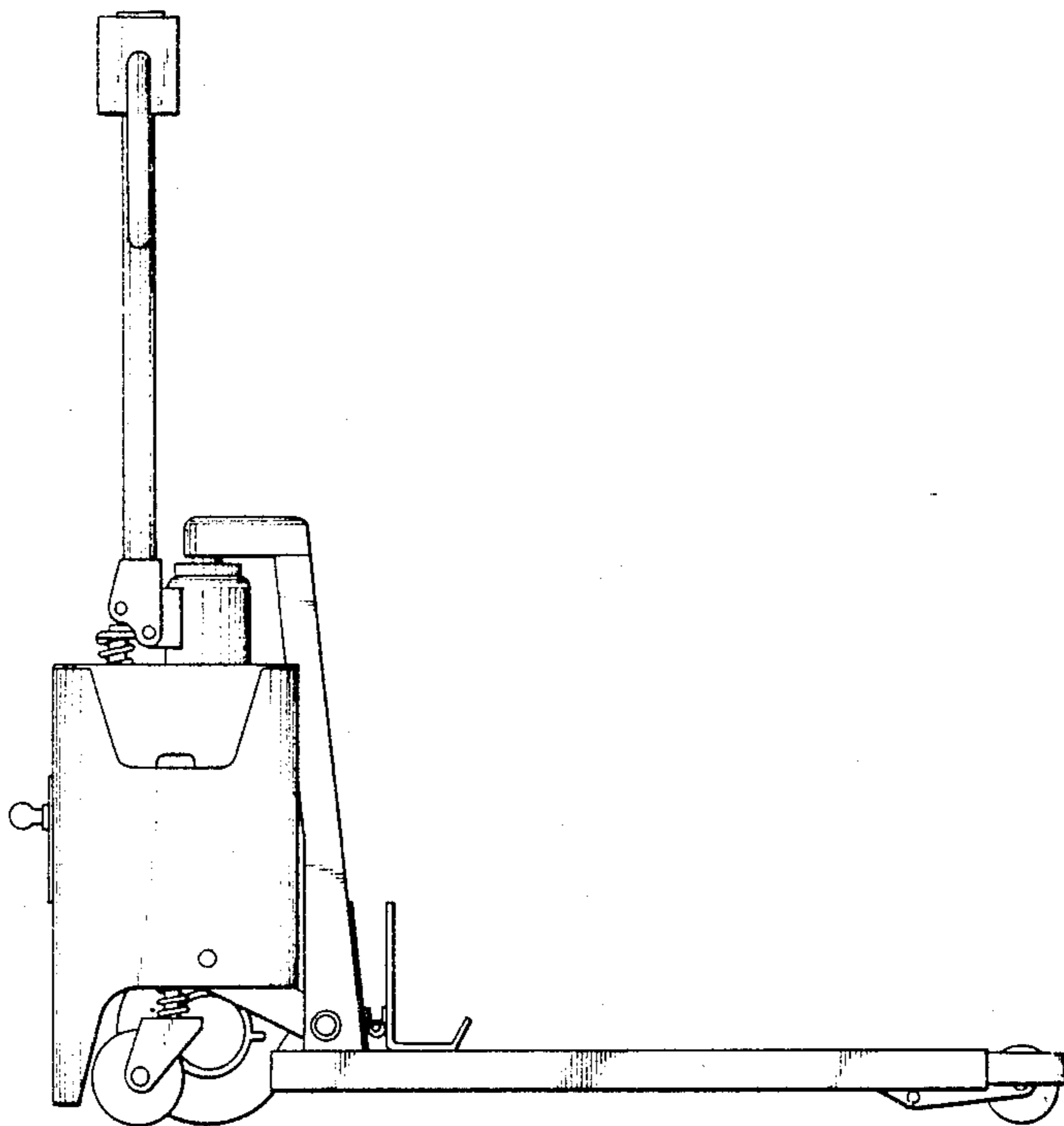


FIG. 7

