

[54] BUCKET

[75] Inventor: David L. Rentz, Wynnewood, Pa.

[73] Assignee: York Plastics Corporation, Philadelphia, Pa.

[**] Term: 14 Years

[21] Appl. No.: 190,222

[22] Filed: May 4, 1988

[52] U.S. Cl. D32/53

[58] Field of Search D32/53, 53.1, 54; D23/410; D9/379, 390, 392, 399; 15/104.92, 248 R, 257 R, 257.05, 257.06, 260-264; 220/69, 72, 90, 92, 94 R, 94 A, 95; 280/79.2

[56] References Cited

U.S. PATENT DOCUMENTS

- D. 107,096 11/1937 Rideout D32/53
- D. 204,507 4/1966 Davis D32/53

605,745 6/1898 Read 220/94 R
 2,392,208 1/1946 Wilken 15/260 X
 3,926,452 12/1975 Goines 280/79.2

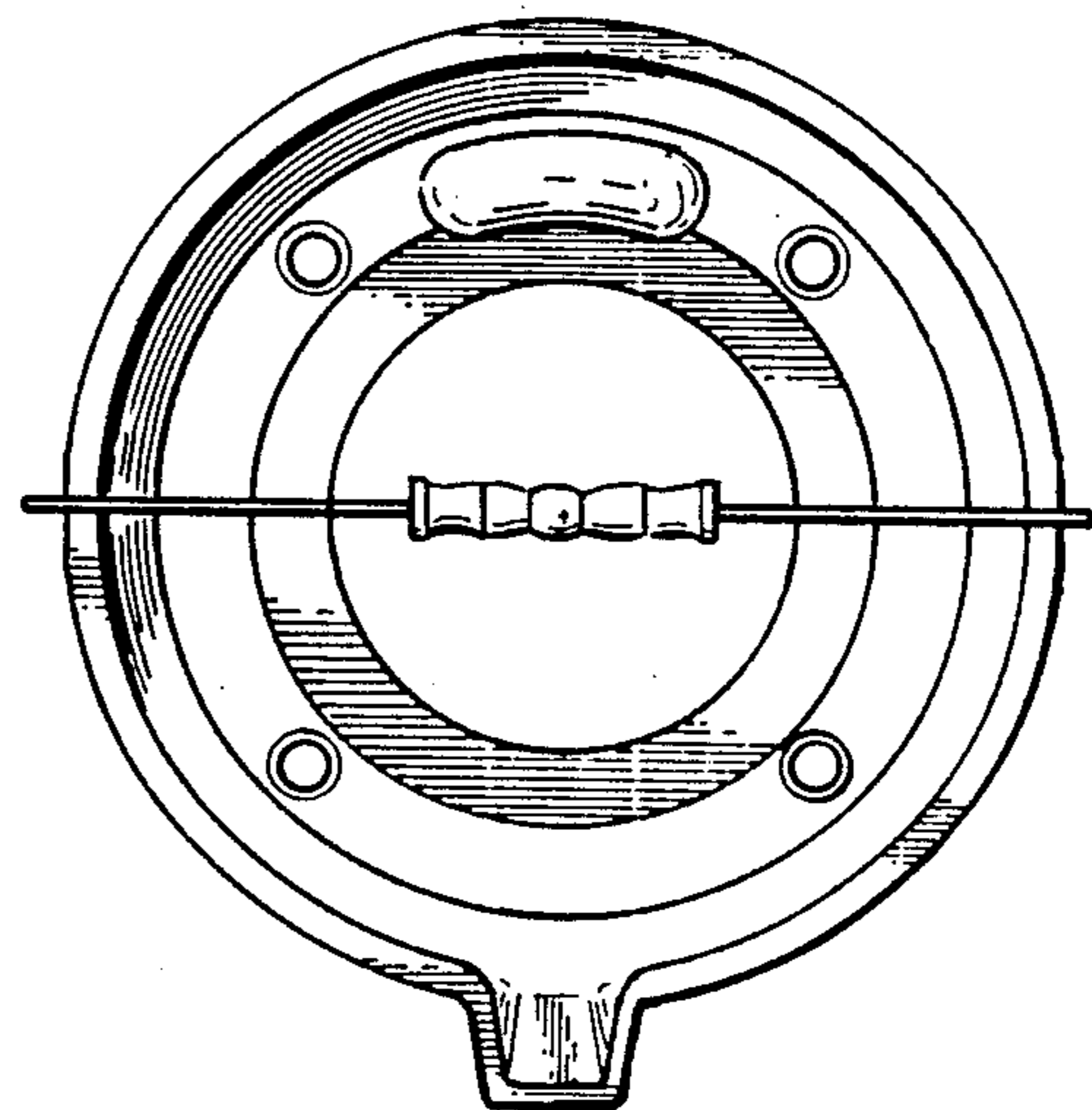
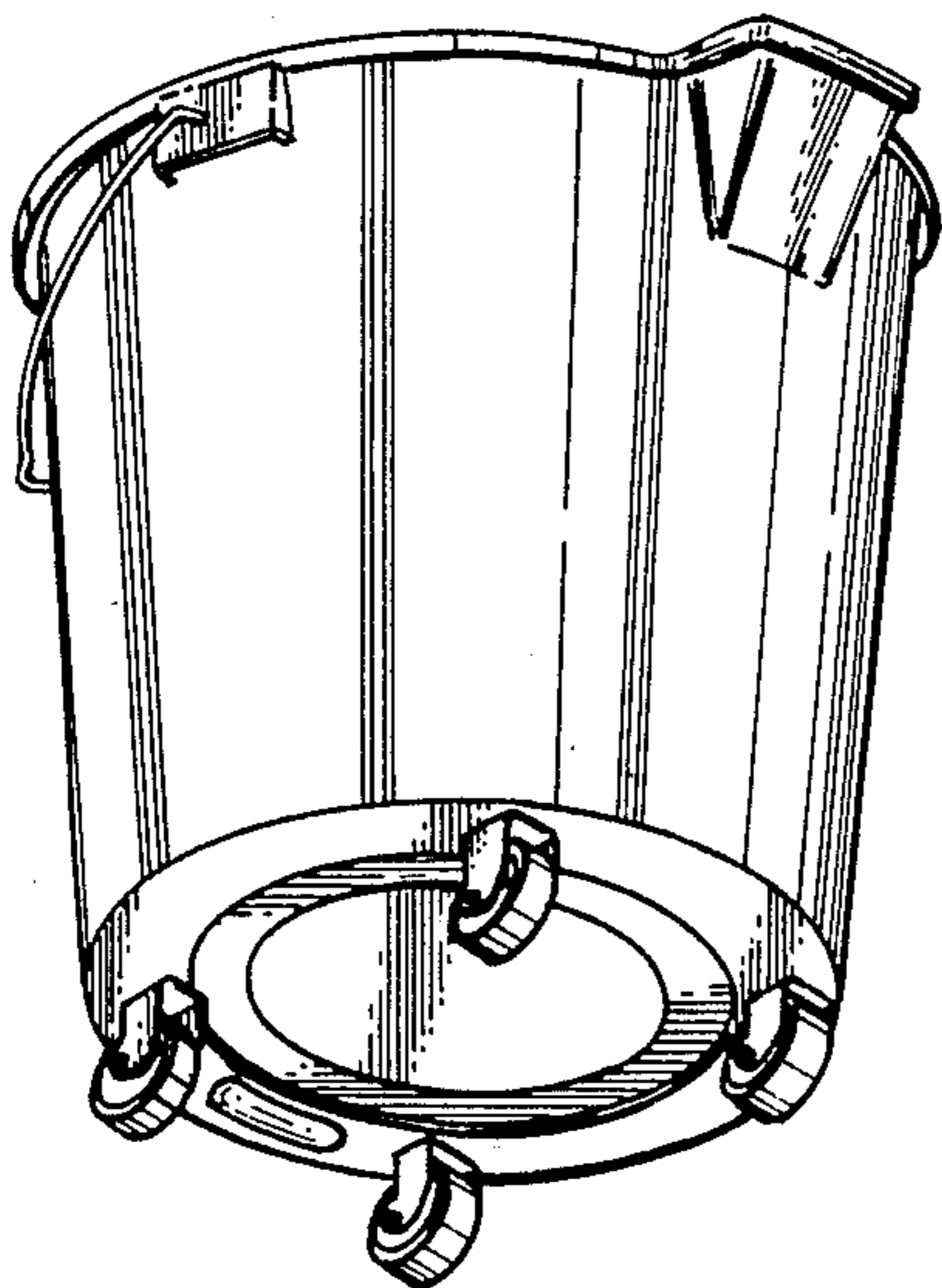
Primary Examiner—Wallace R. Burke
 Assistant Examiner—Lavone D. Tabor
 Attorney, Agent, or Firm—Dann, Dorfman, Herrell and Skillman

[57] CLAIM

The ornamental design for a bucket, as shown and described.

DESCRIPTION

FIG. 1 is a bottom and front perspective view of a bucket embodying my new design;
 FIG. 2 is a left side elevational view, the right side being a mirror image thereof;
 FIG. 3 is a top plan view thereof;
 FIG. 4 is a bottom plan view thereof;
 FIG. 5 is a front elevational view thereof; and
 FIG. 6 is a rear elevational view thereof.



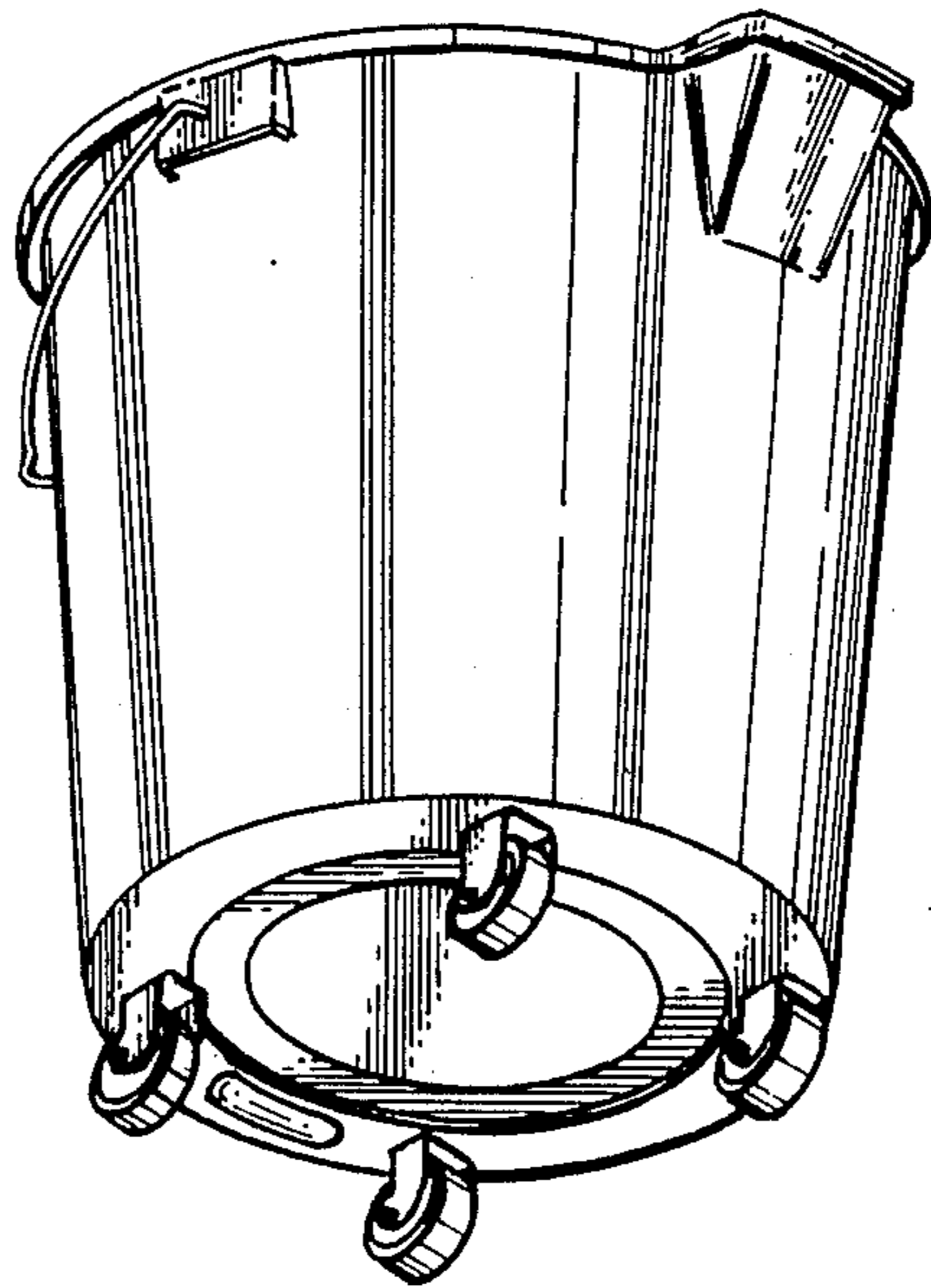


FIG. 1

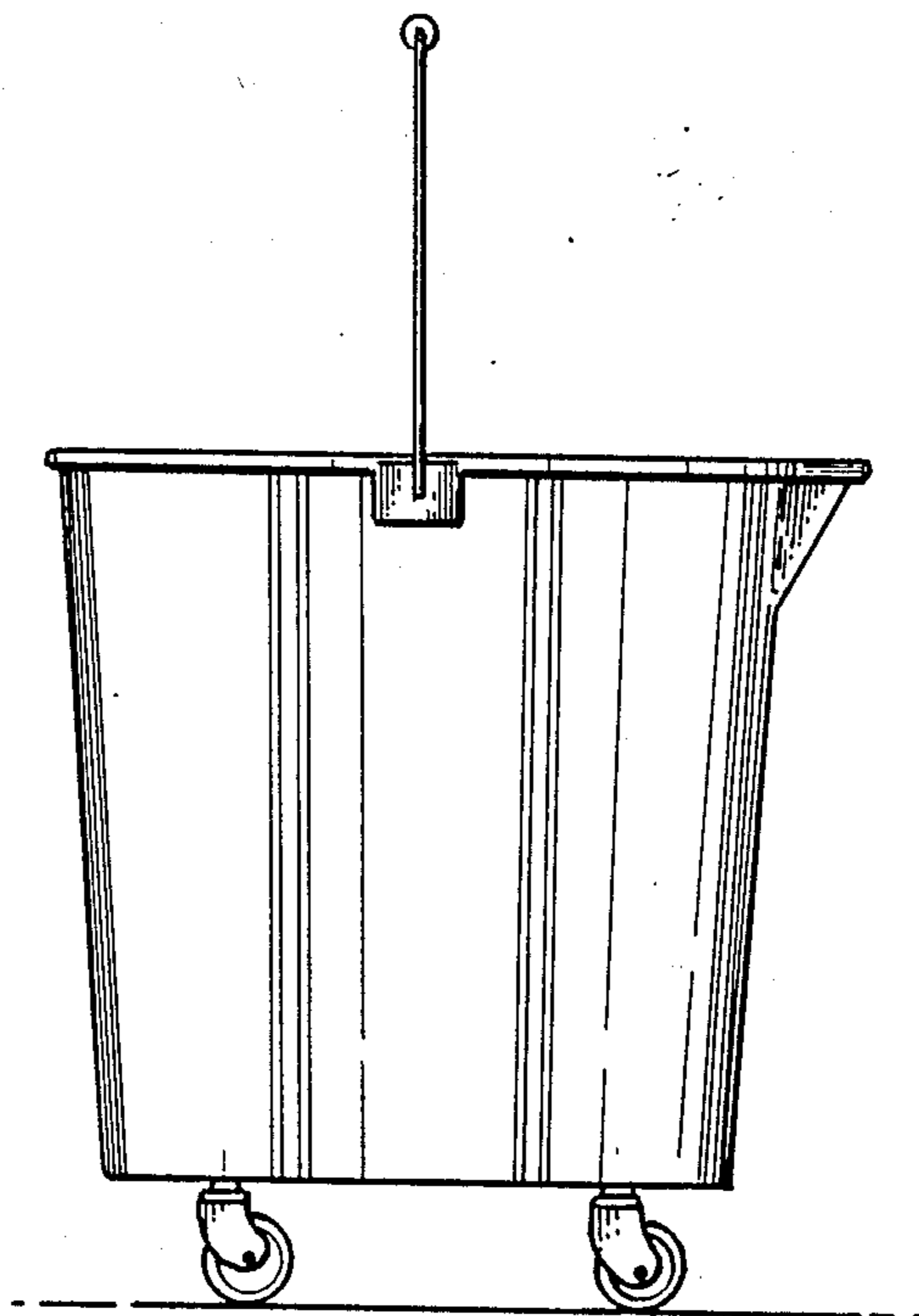


FIG. 2

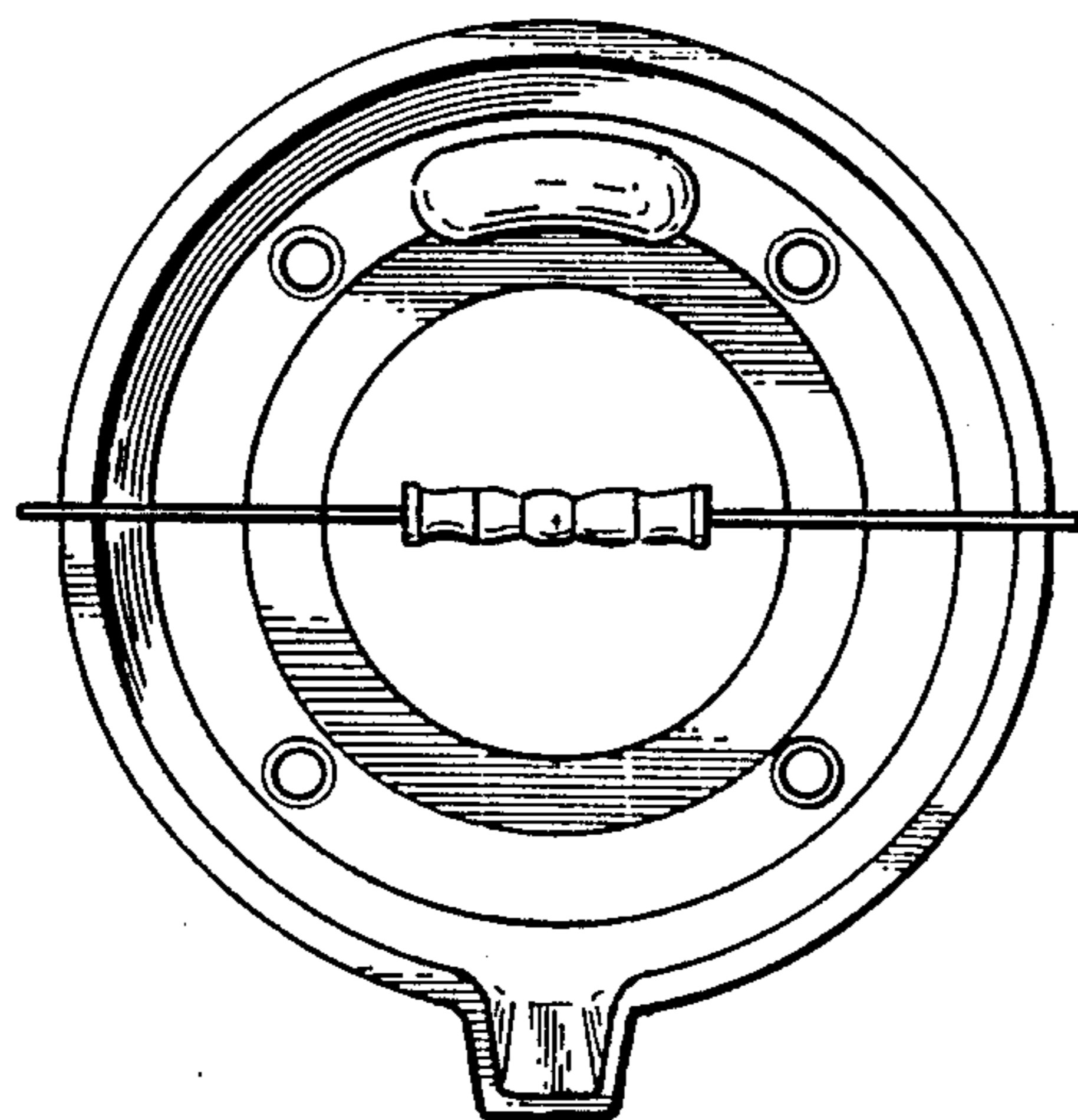


FIG. 3

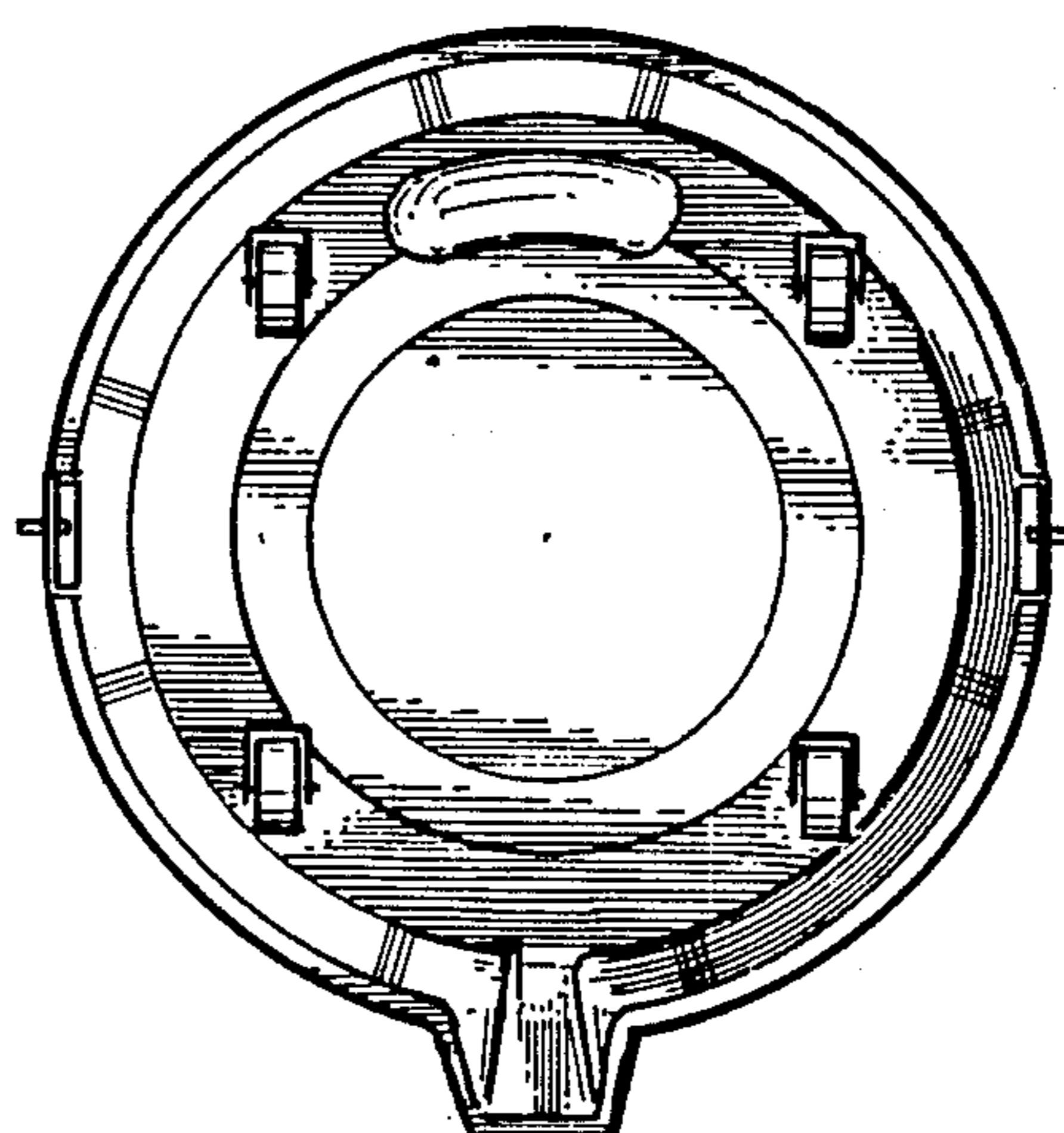


FIG. 4

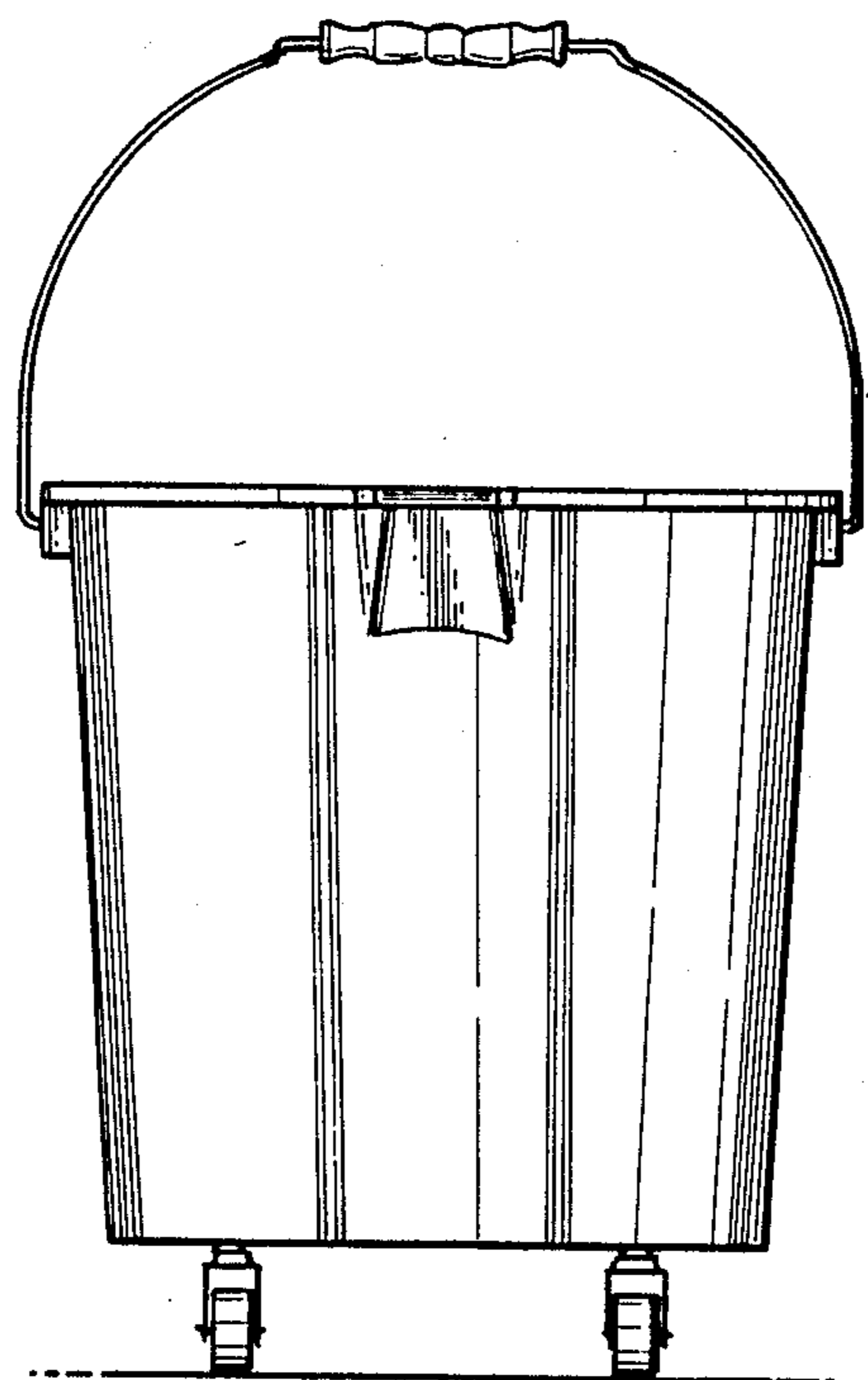


FIG. 5

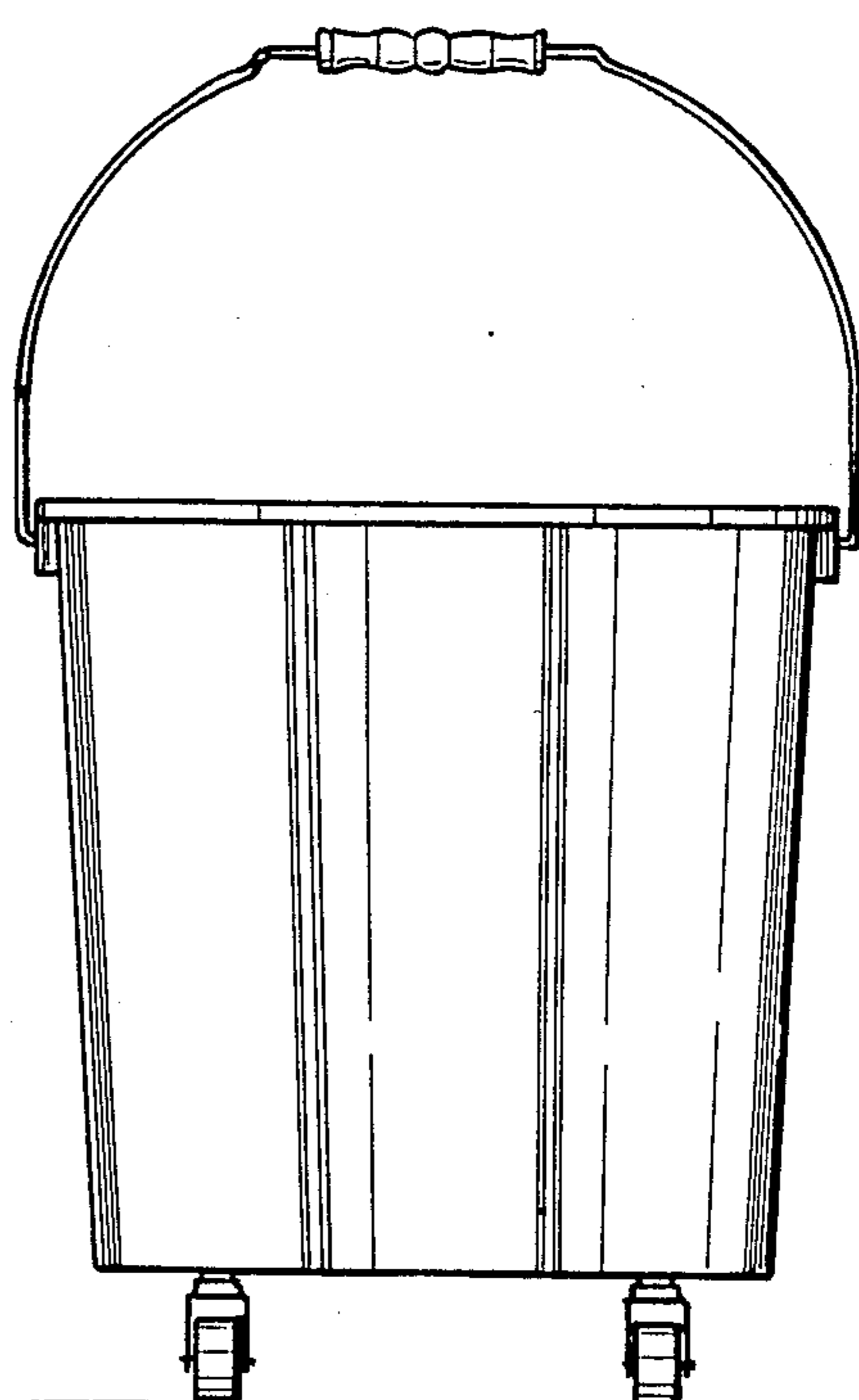


FIG. 6