

[54] **COMBINED CONTAINER/BOTTLE AND COSMETIC WAND APPLICATORS OR THE LIKE**

[75] Inventors: Henry J. Cassai, 163-47 85th St., Howard Beach, N.Y. 11414; Gino H. Cassai, Brooklyn, N.Y.

[73] Assignee: Henry J. Cassai, Howard Beach, N.Y.

[\*\*] Term: 14 Years

[21] Appl. No.: 337,532

[22] Filed: Apr. 14, 1989

**Related U.S. Application Data**

[62] Division of Ser. No. 765,394, Aug. 14, 1985, abandoned.

[52] U.S. Cl. .... D28/77

[58] Field of Search ..... D28/4-8, D28/61, 73, 76-91.1; D3/39; D9/337, 338, 341, 347, 352, 377; 220/DIG. 26; 206/235, 385, 581, 823; 132/286, 288, 293, 294, 297-301, 303-305, 313-318

[56] **References Cited**

**U.S. PATENT DOCUMENTS**

- D. 183,674 10/1958 Bau ..... D28/7
- D. 209,182 11/1967 Buchner ..... D28/77
- D. 274,008 5/1984 Cassai et al. .... D28/7
- 4,165,755 8/1979 Cassai ..... D28/7 X

**FOREIGN PATENT DOCUMENTS**

- 2037409 2/1972 Fed. Rep. of Germany ..... D28/7

Primary Examiner—Louis S. Zarfes

[57] **CLAIM**

The ornamental design for a combined container/bottle and cosmetic wand applicators or the like, as shown and described.

**DESCRIPTION**

FIG. 1 is an exploded front elevational view of a combined container/bottle and cosmetic wand applicators or the like showing our new design;

FIG. 2 is a partially exploded rear elevational view thereof;

FIG. 3 is a side elevational view of FIG. 1;

FIG. 4 is another side elevational view showing a second embodiment of our new design wherein the caps have been modified;

FIG. 5 is a top plan view of FIG. 1, with caps removed;

FIG. 6 is a bottom plan view thereof, with cap removed;

FIG. 7 is another top plan view showing a third embodiment of our new design; with caps removed;

FIG. 8 is a bottom plan view thereof, with cap removed;

FIG. 9 is another exploded front elevational view showing a fourth embodiment of our new design;

FIG. 10 is a partially exploded rear elevational view thereof;

FIG. 11 is a side elevational view of FIG. 9, the opposite side being the same;

FIG. 12 is another side elevational view showing a fifth embodiment of our new design wherein the caps have been modified;

FIG. 13 is a top plan view of FIG. 9, with caps removed;

FIG. 14 is a bottom plan view thereof, with cap removed;

FIG. 15 is another plan view with caps removed, showing a sixth embodiment of our new design;

FIG. 16 is a bottom plan view thereof, with cap removed;

FIG. 17 is a partially exploded front elevational view showing a seventh embodiment of our new design;

FIG. 18 is an exploded rear elevational view thereof;

FIG. 19 is a side elevational view of FIG. 17, the opposite side being the same;

FIG. 20 is another side elevational view showing an eighth embodiment of our new design wherein the caps have been modified;

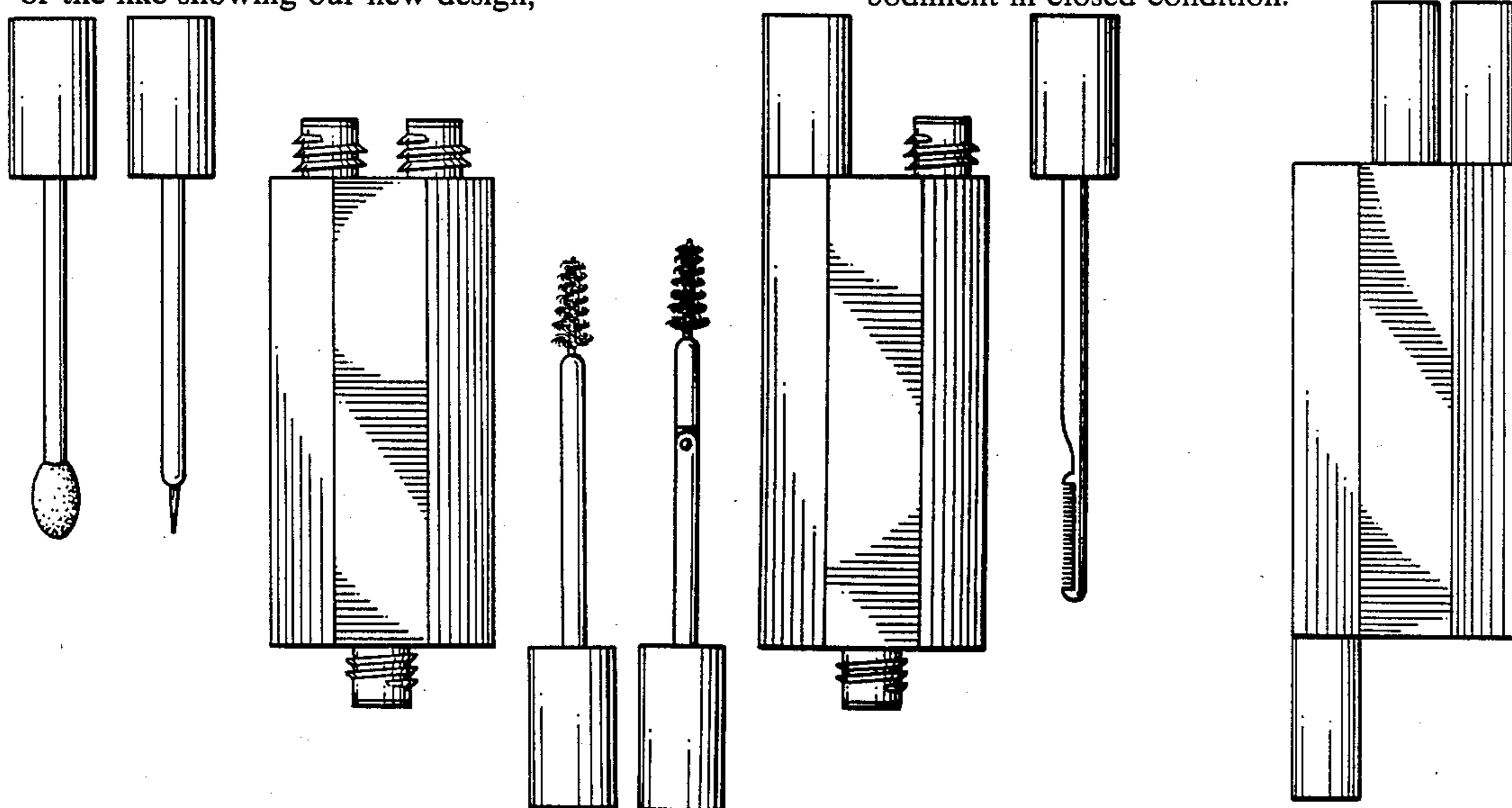
FIG. 21 is a top plan view of FIG. 17, with caps removed;

FIG. 22 is a bottom plan view thereof, with cap removed;

FIG. 23 is a front elevational view of the first embodiment in closed condition;

FIG. 24 is a front elevational view of the fourth embodiment in closed condition; and

FIG. 25 is a front elevational view of the seventh embodiment in closed condition.



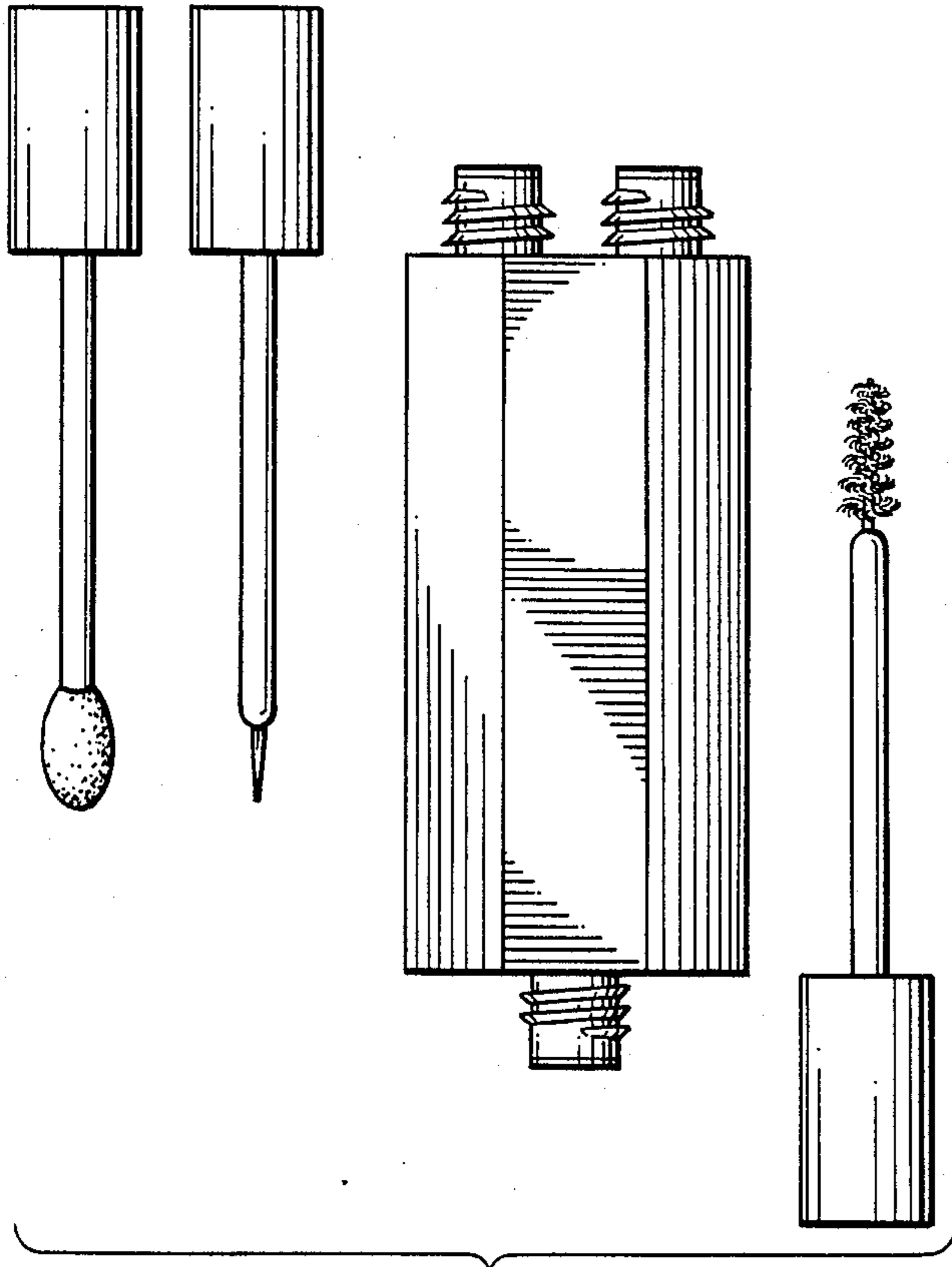


FIG. 1

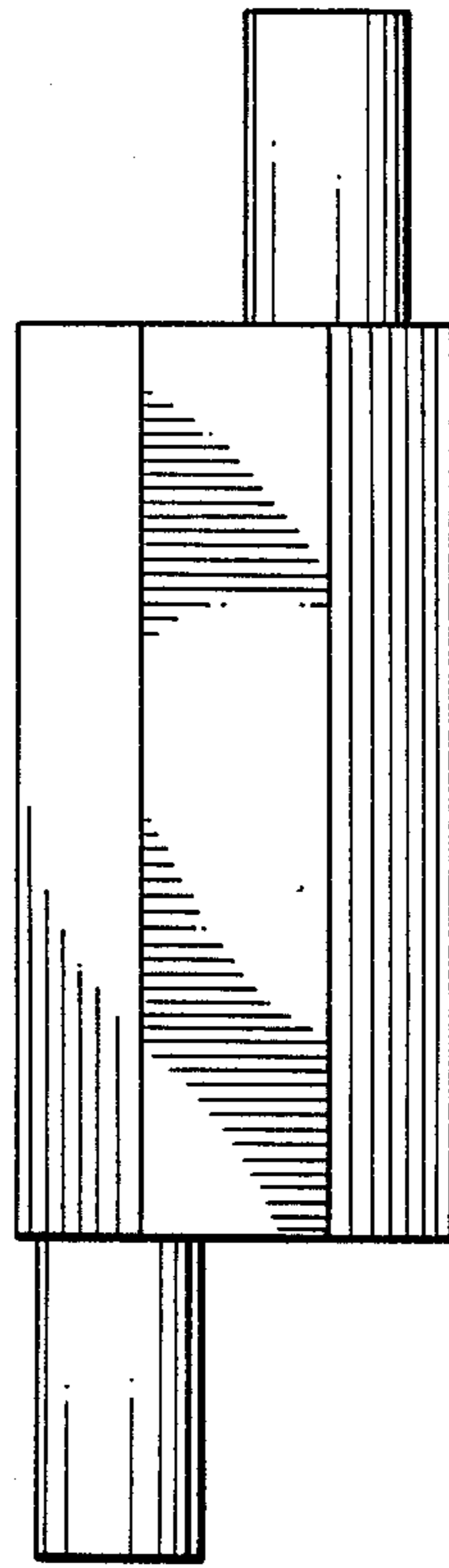


FIG. 3

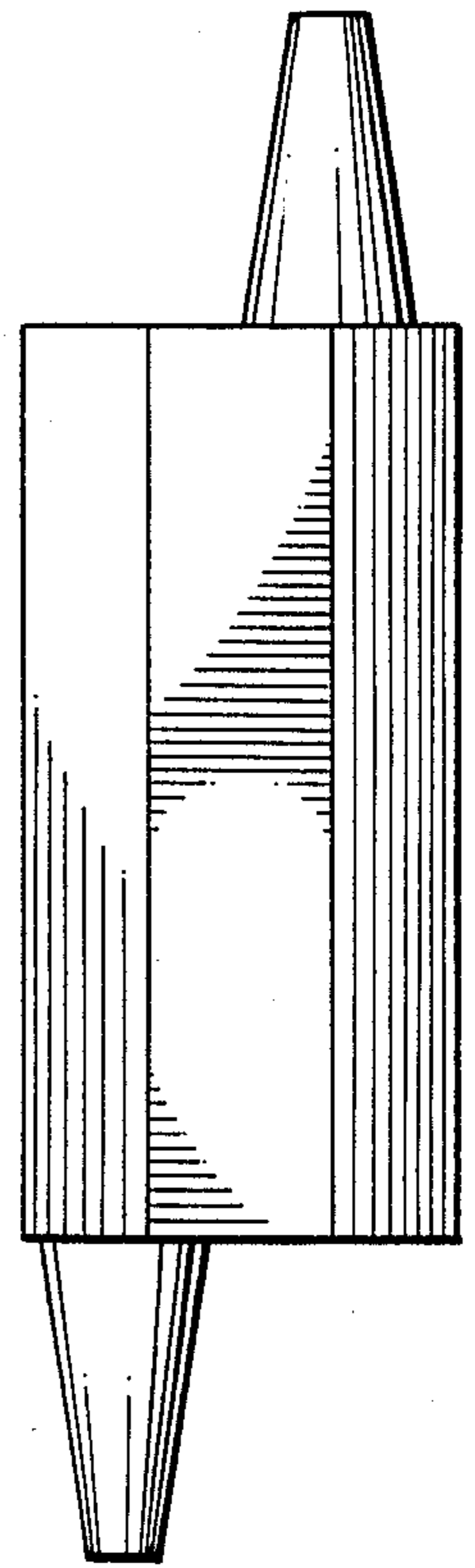


FIG. 4

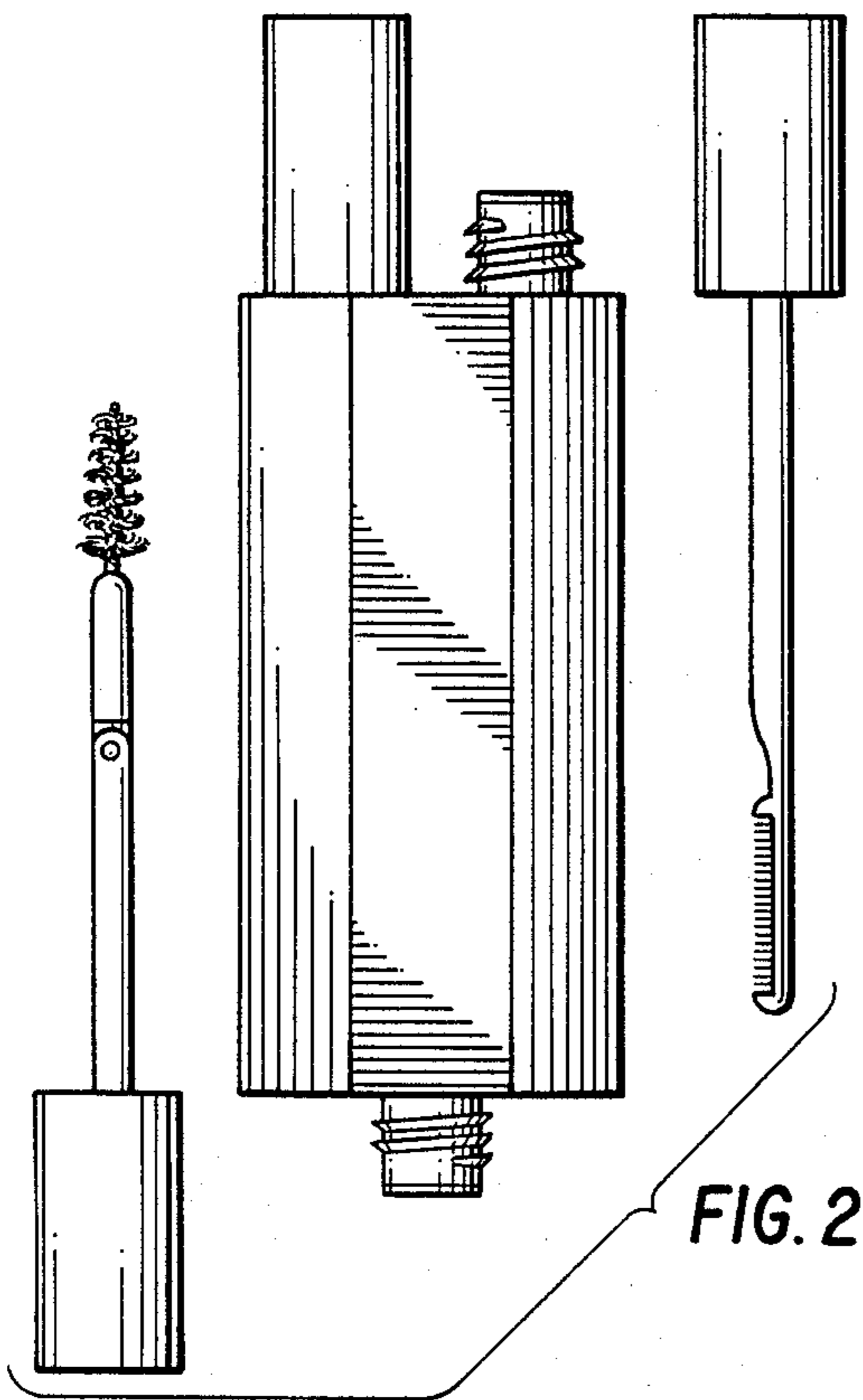


FIG. 2

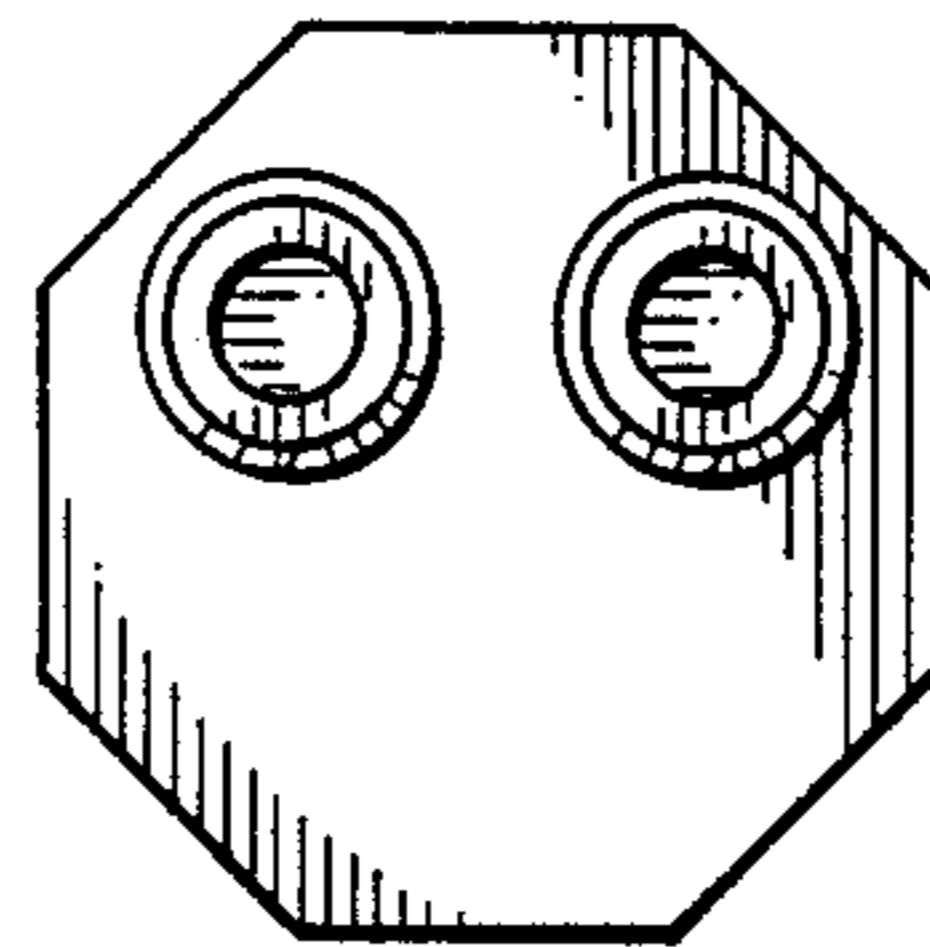


FIG. 5

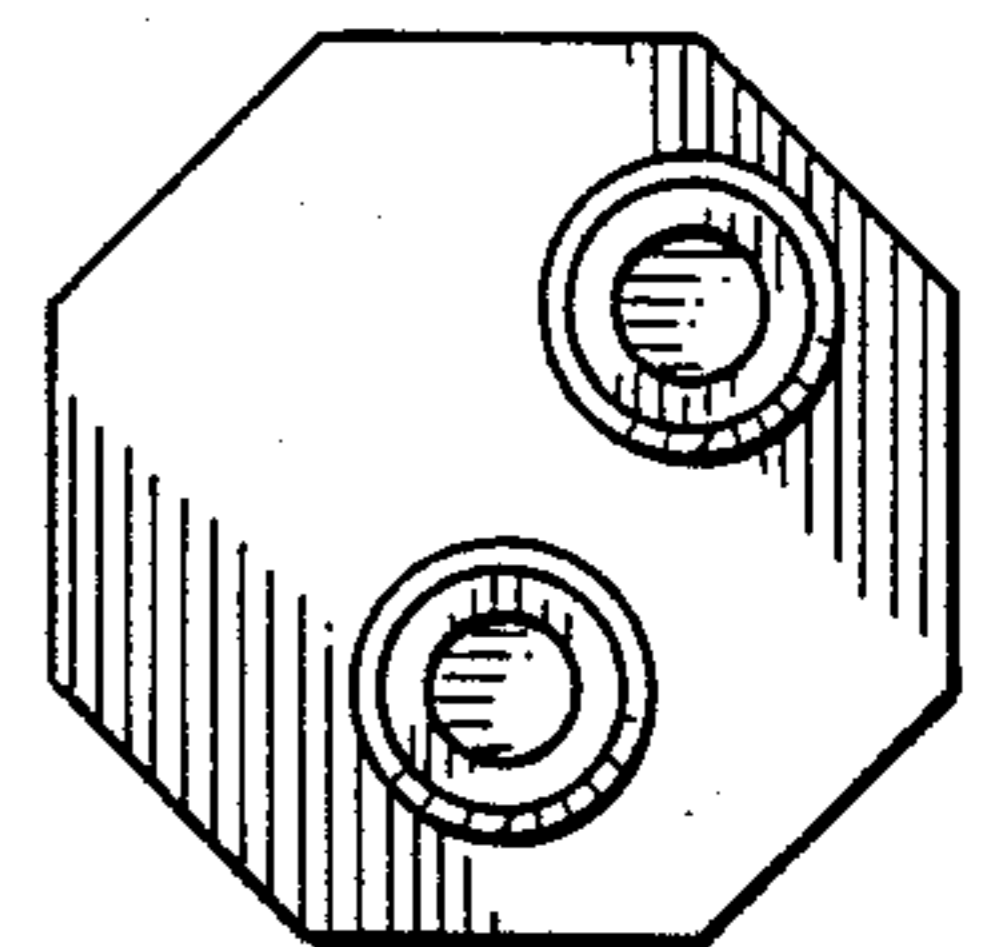


FIG. 7

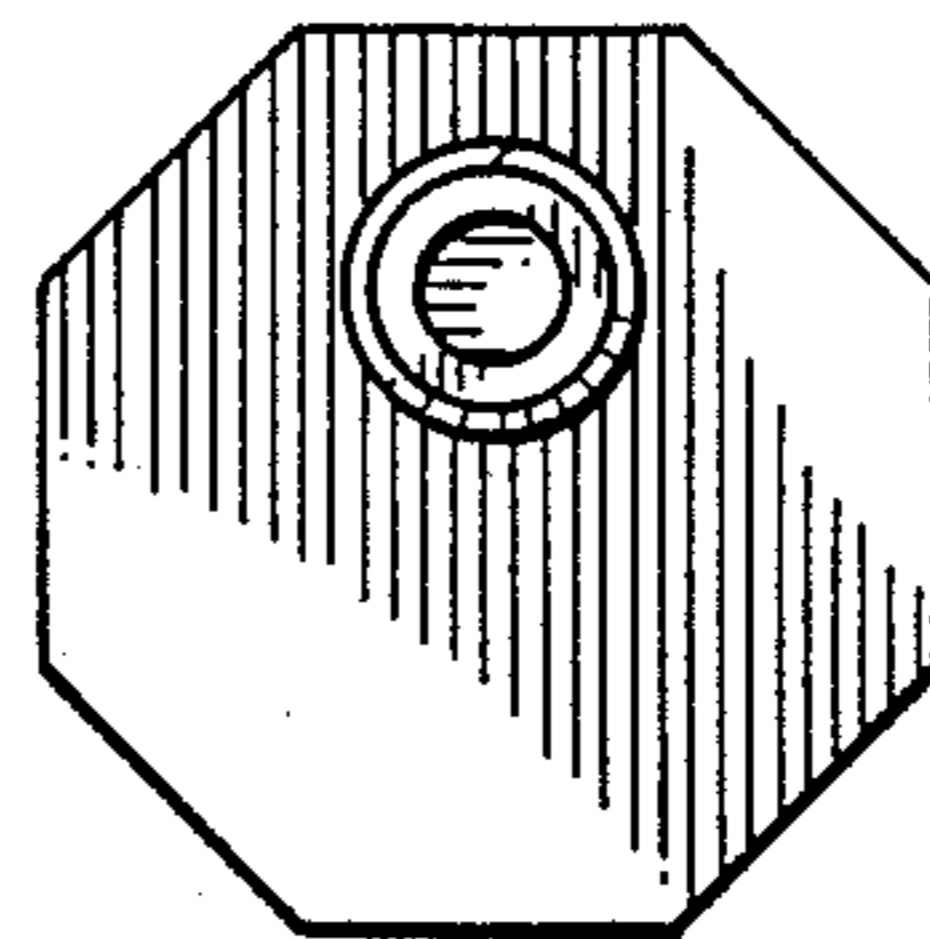


FIG. 6

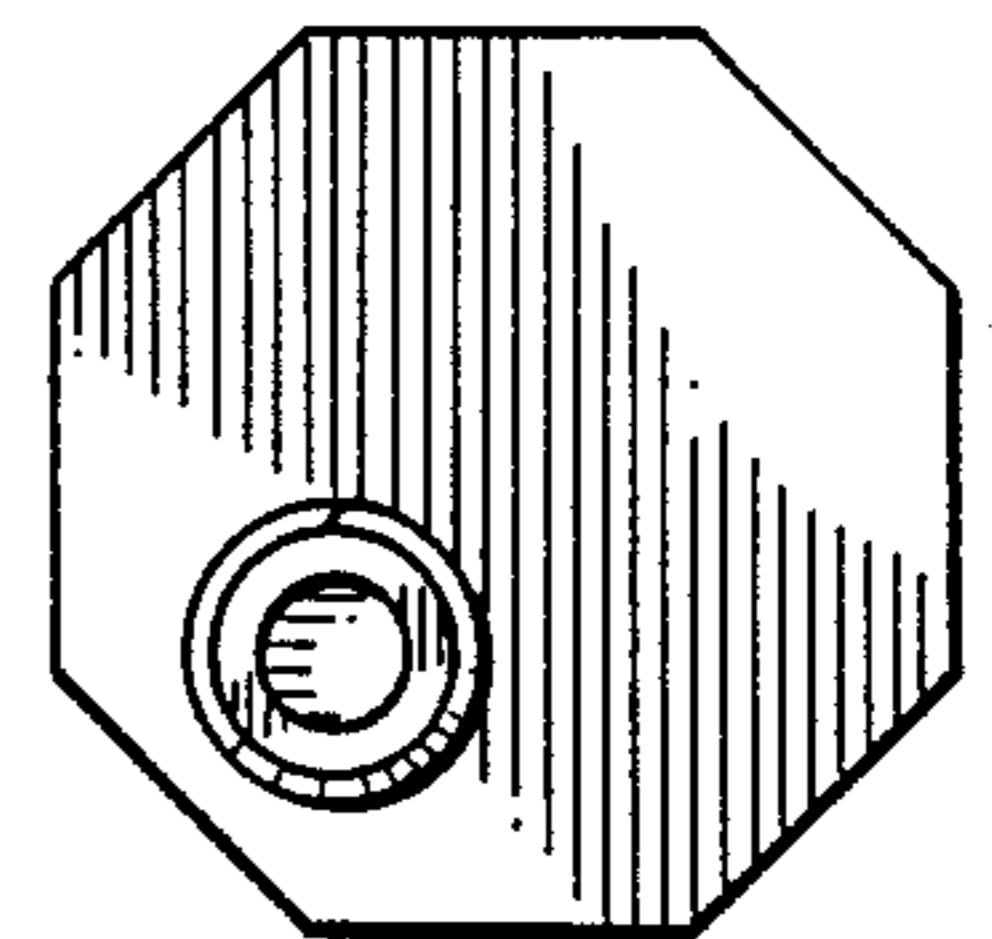


FIG. 8



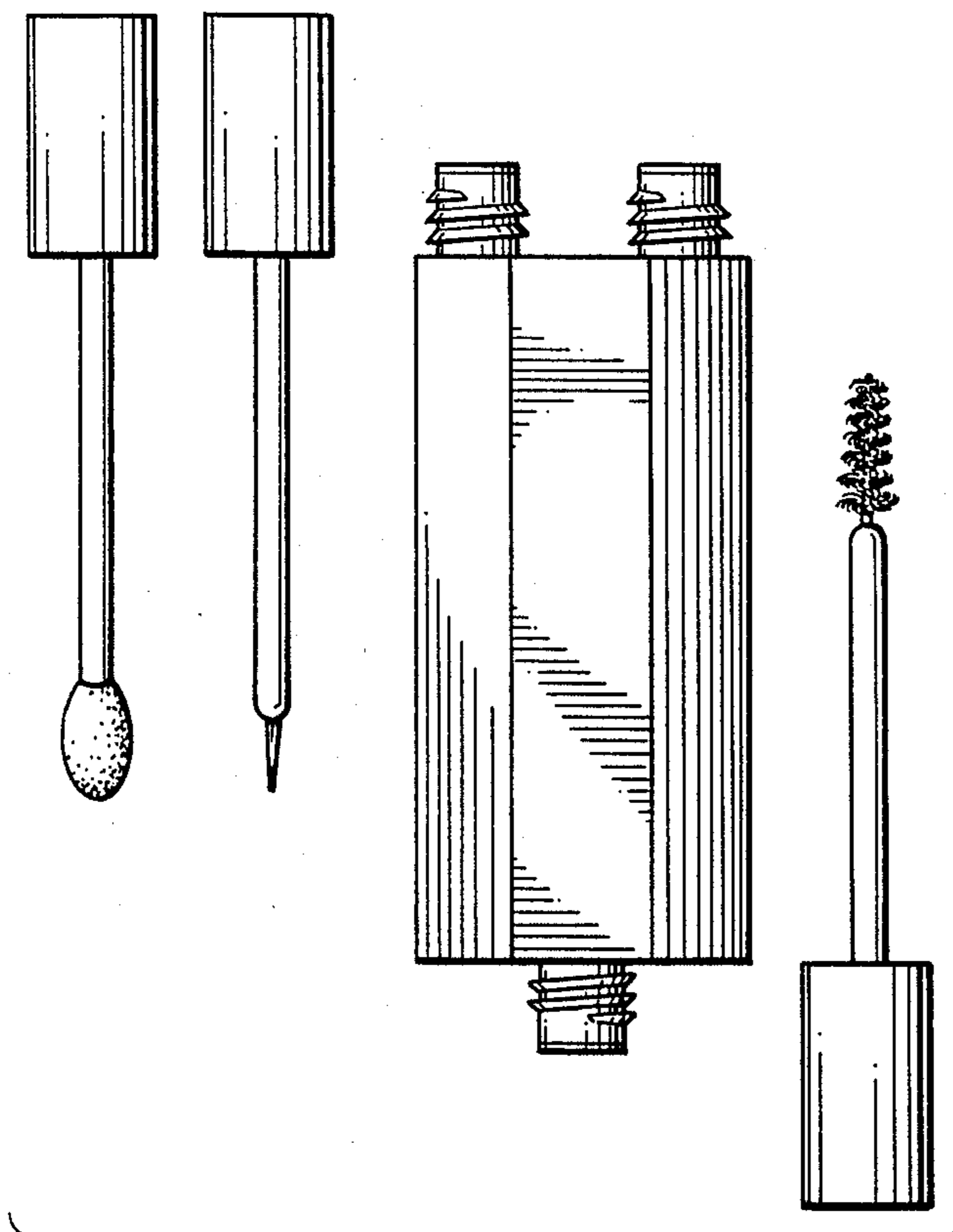


FIG. 9

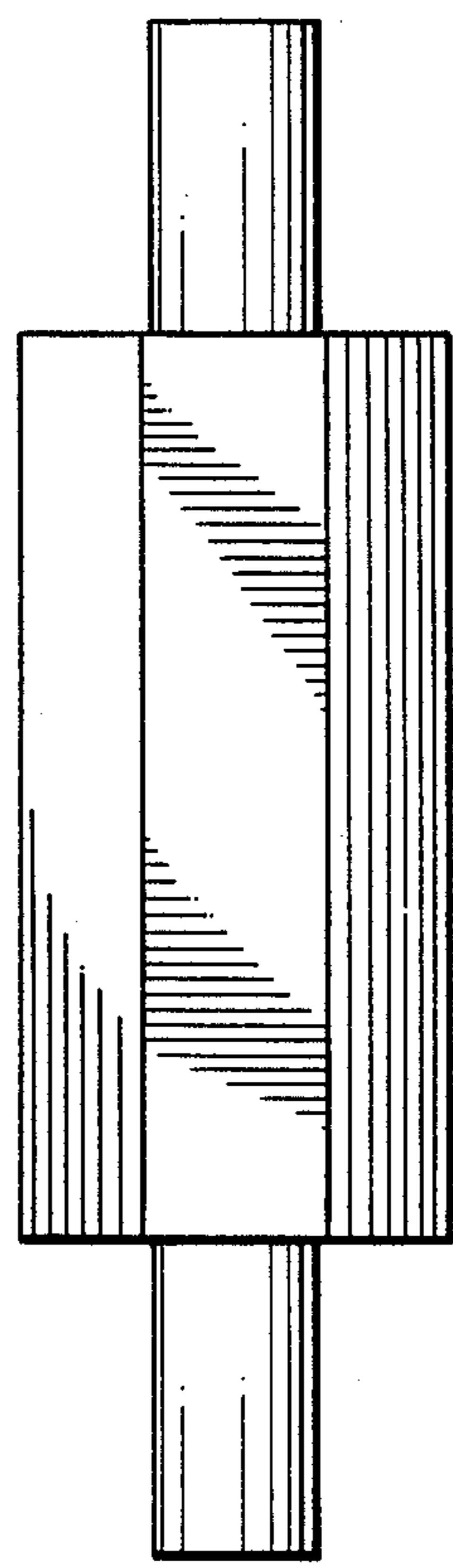


FIG. 11

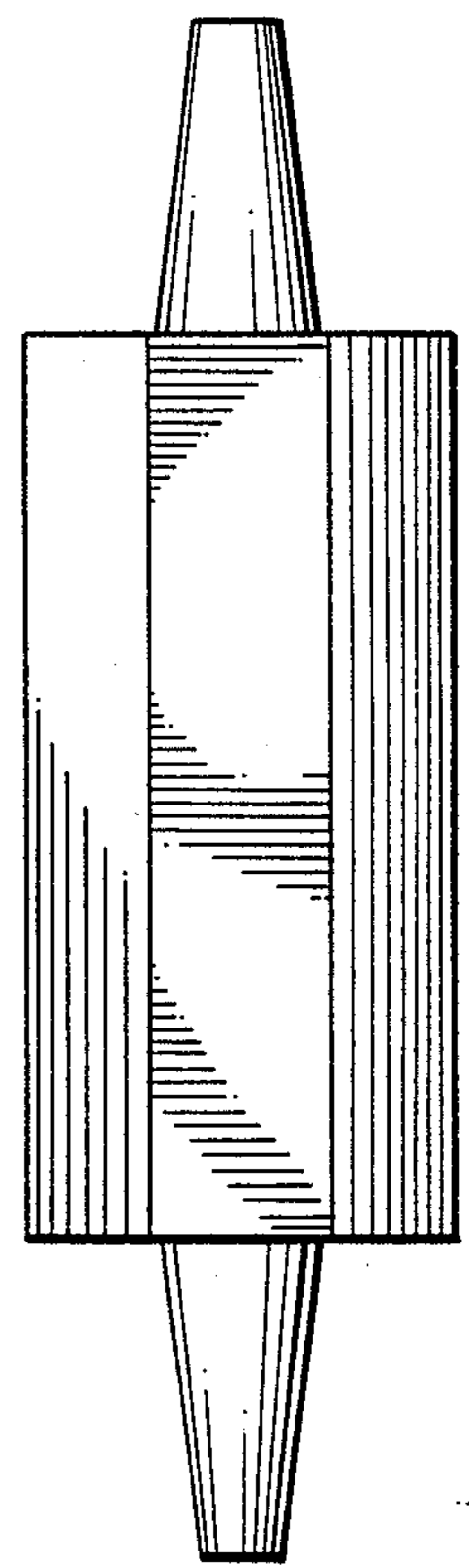


FIG. 12

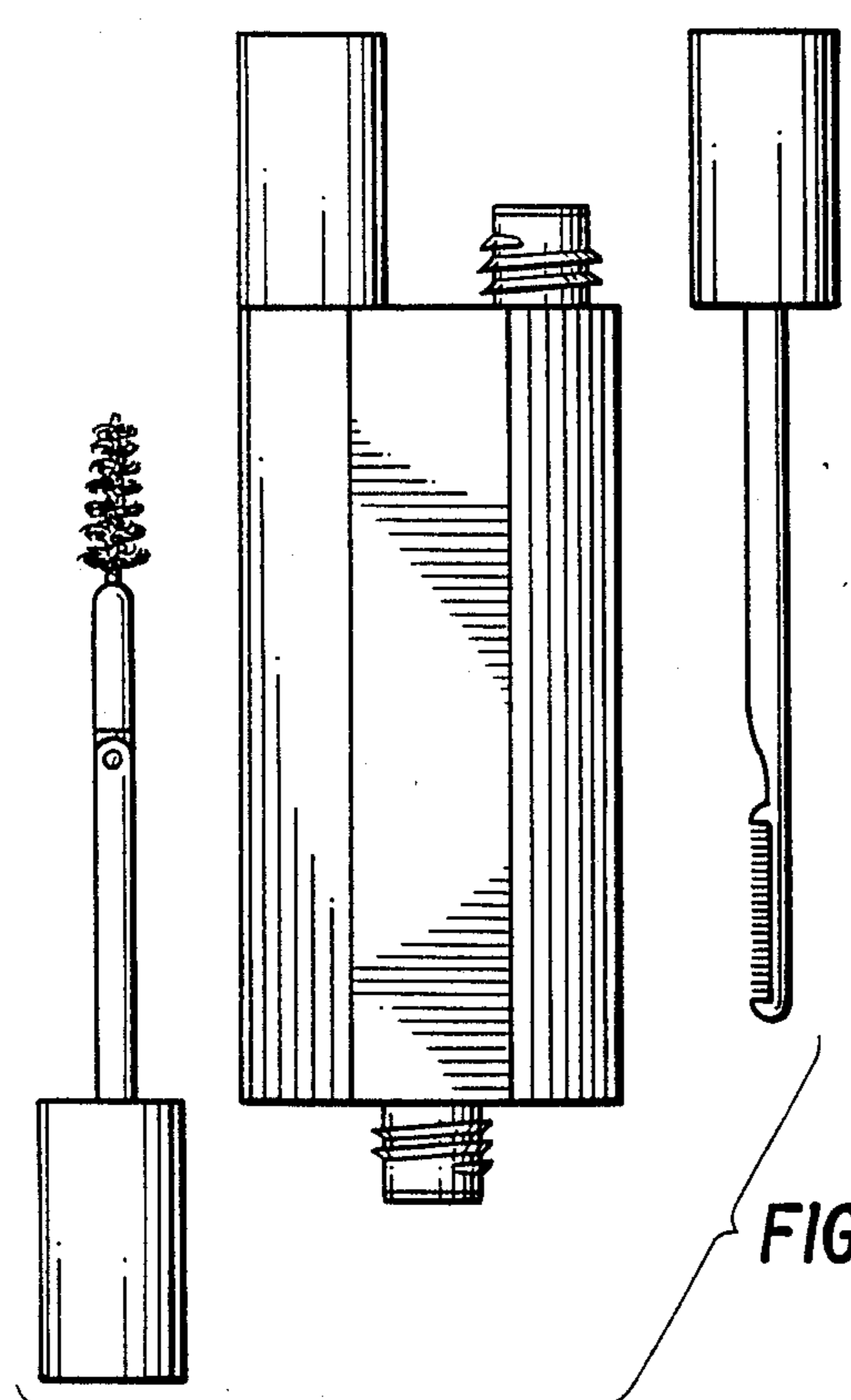


FIG. 10

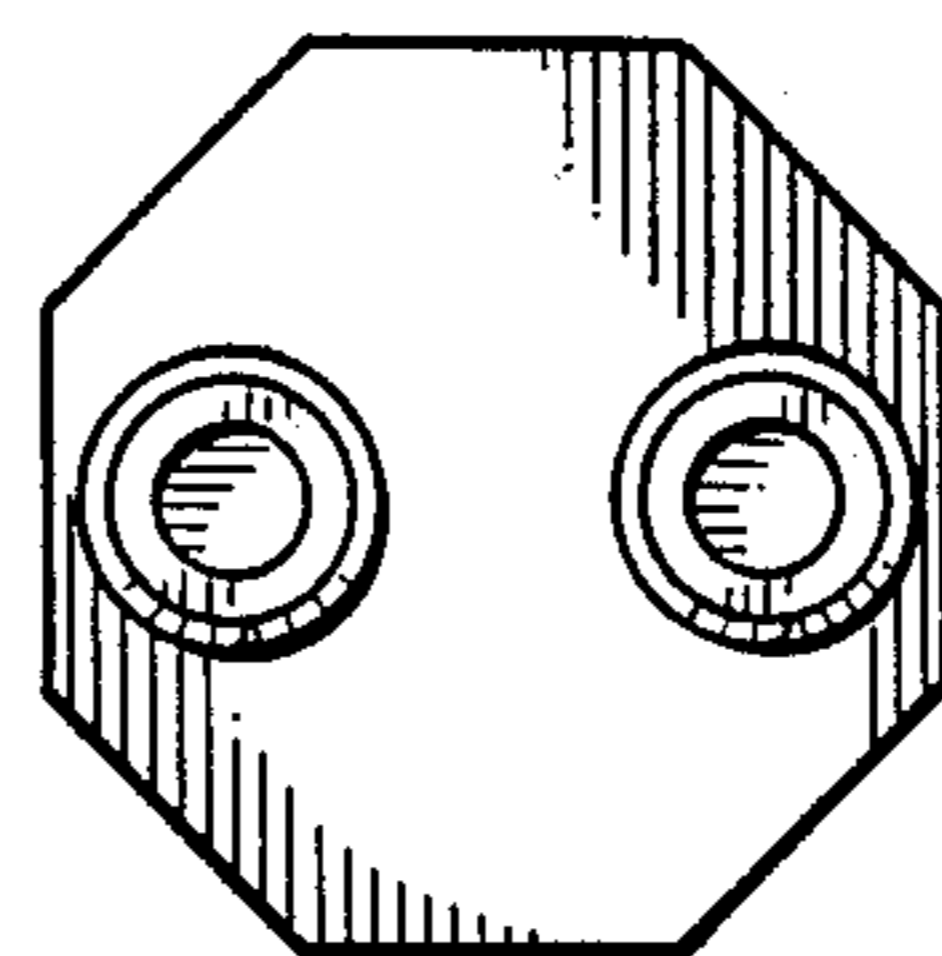


FIG. 13

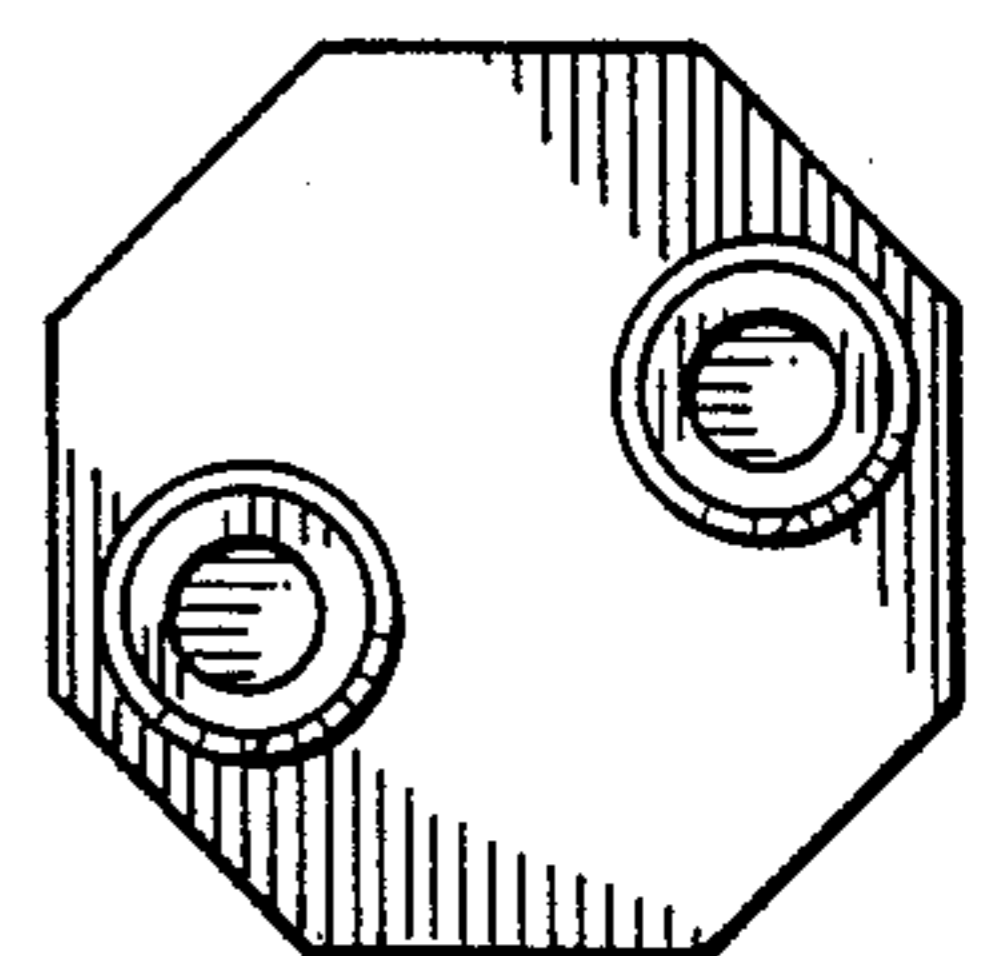


FIG. 15

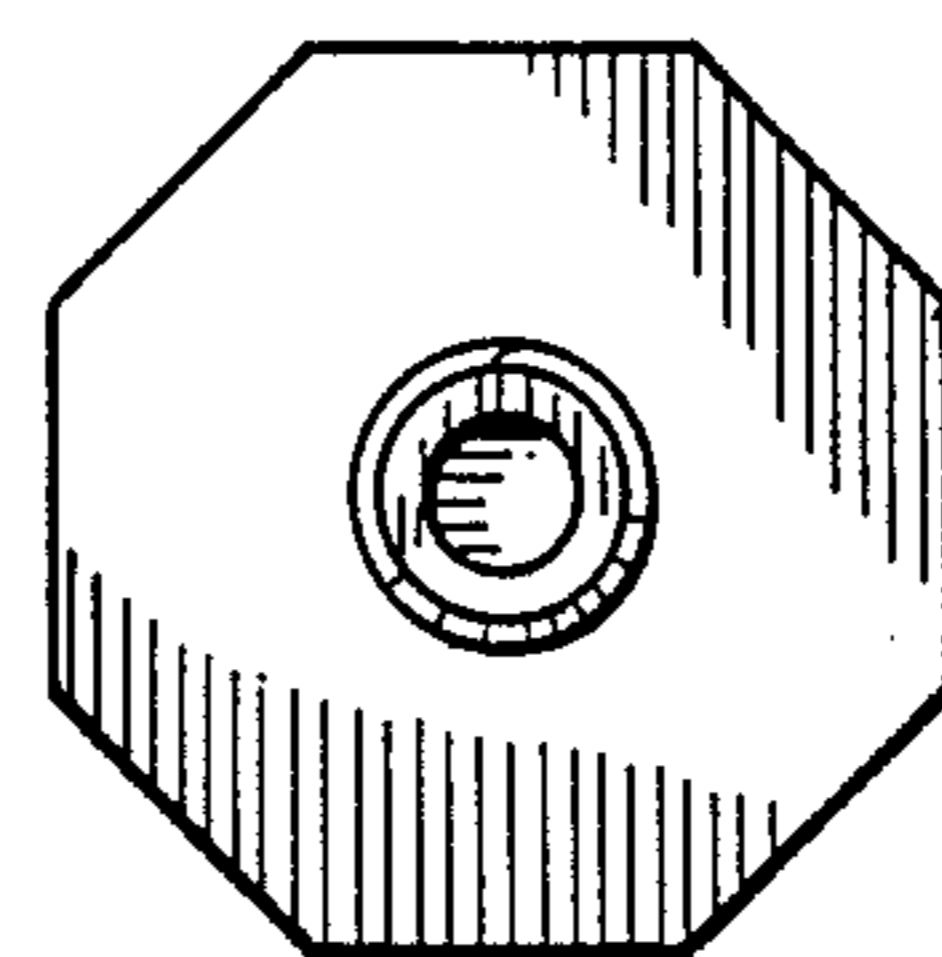


FIG. 14

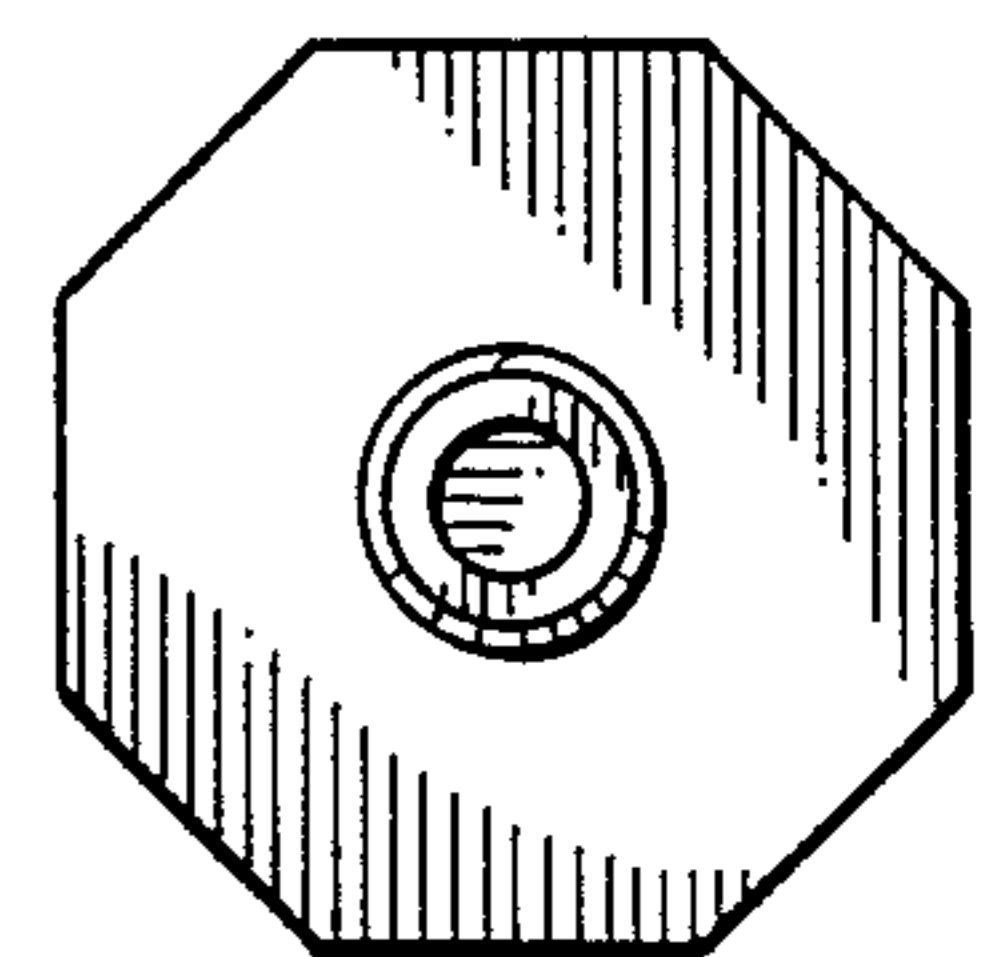


FIG. 16

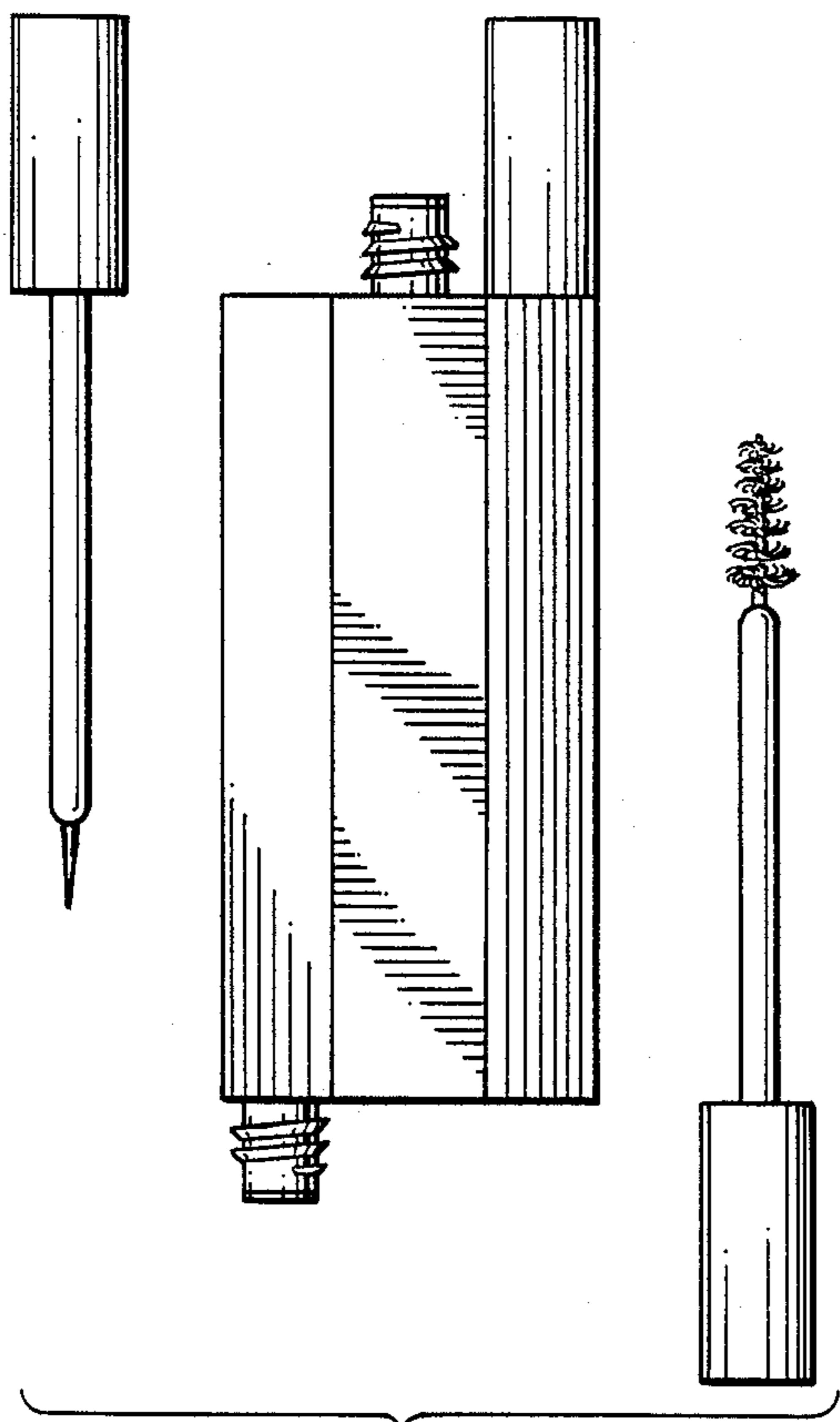


FIG. 17

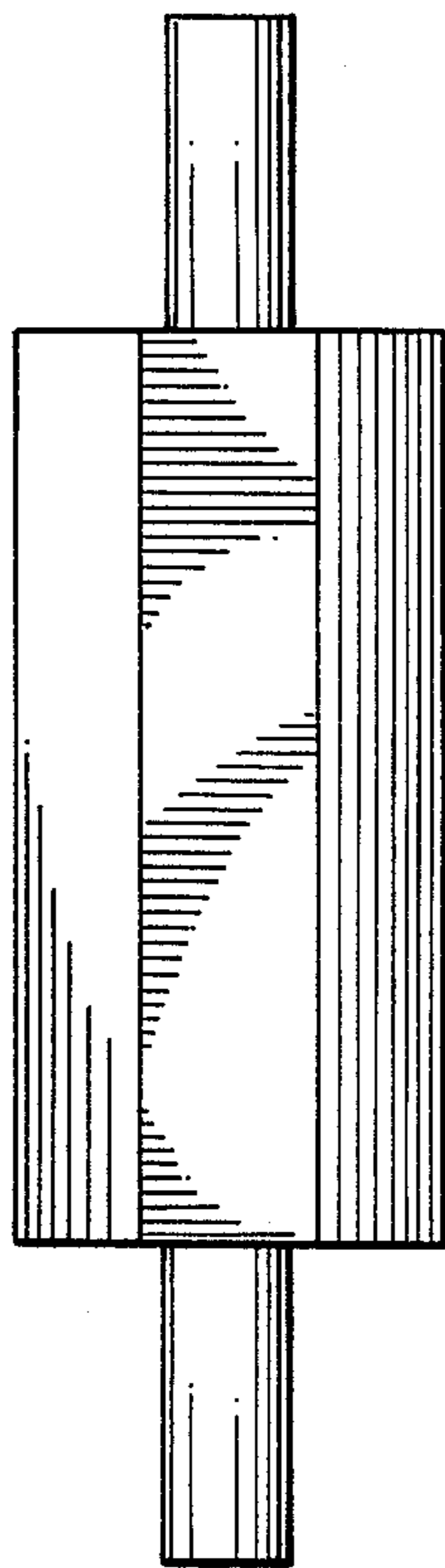


FIG. 19

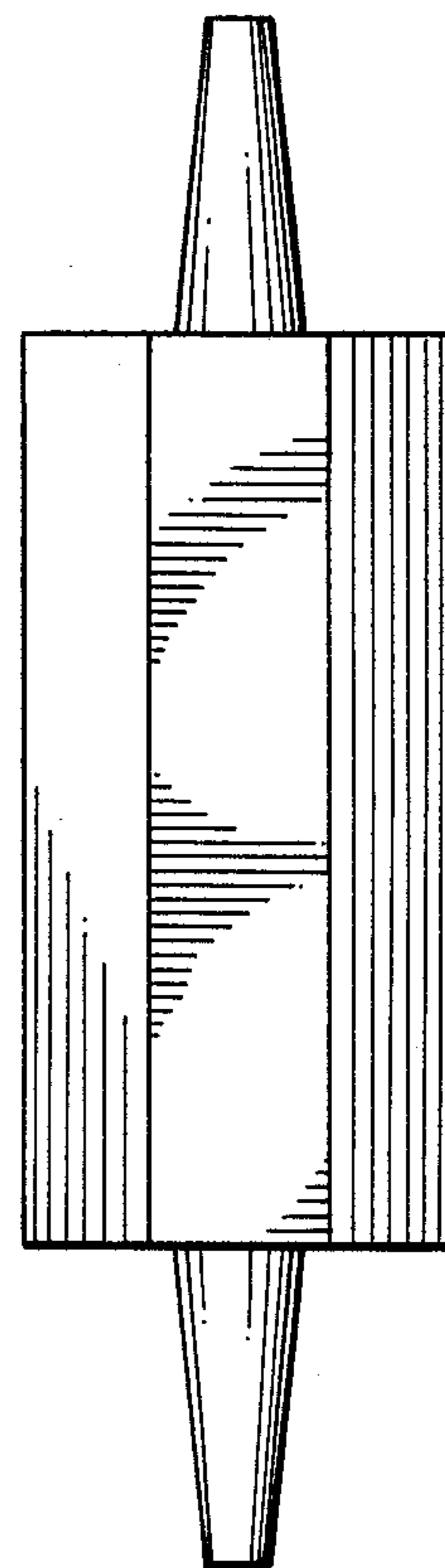


FIG. 20

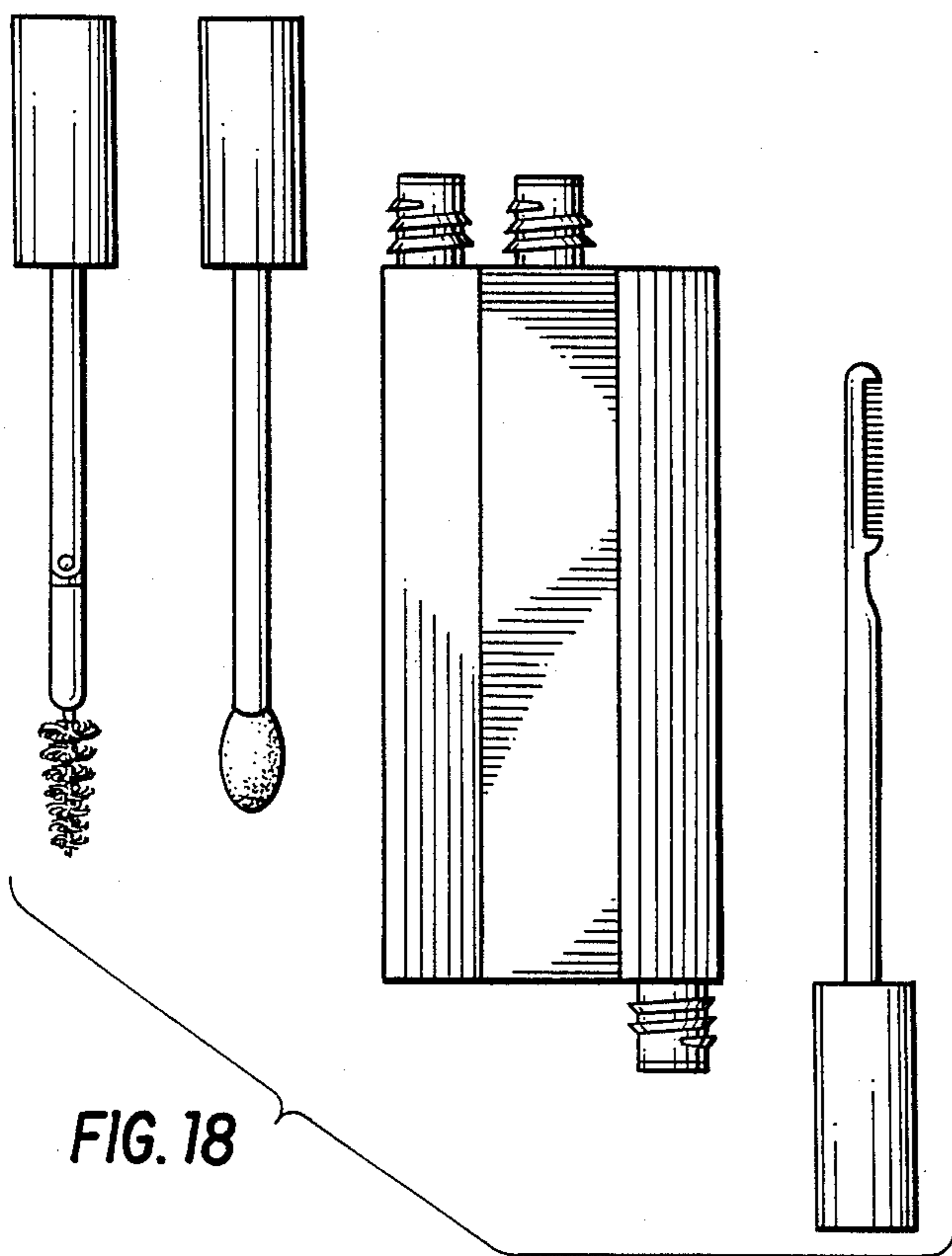


FIG. 18

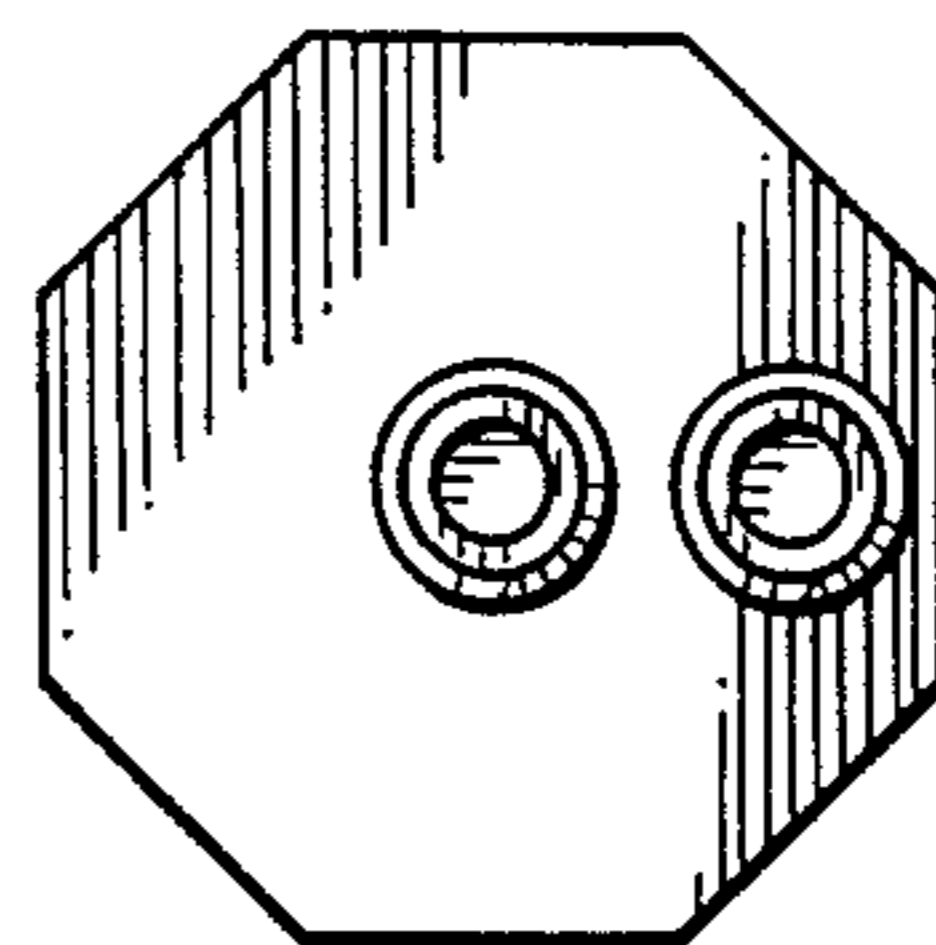


FIG. 21

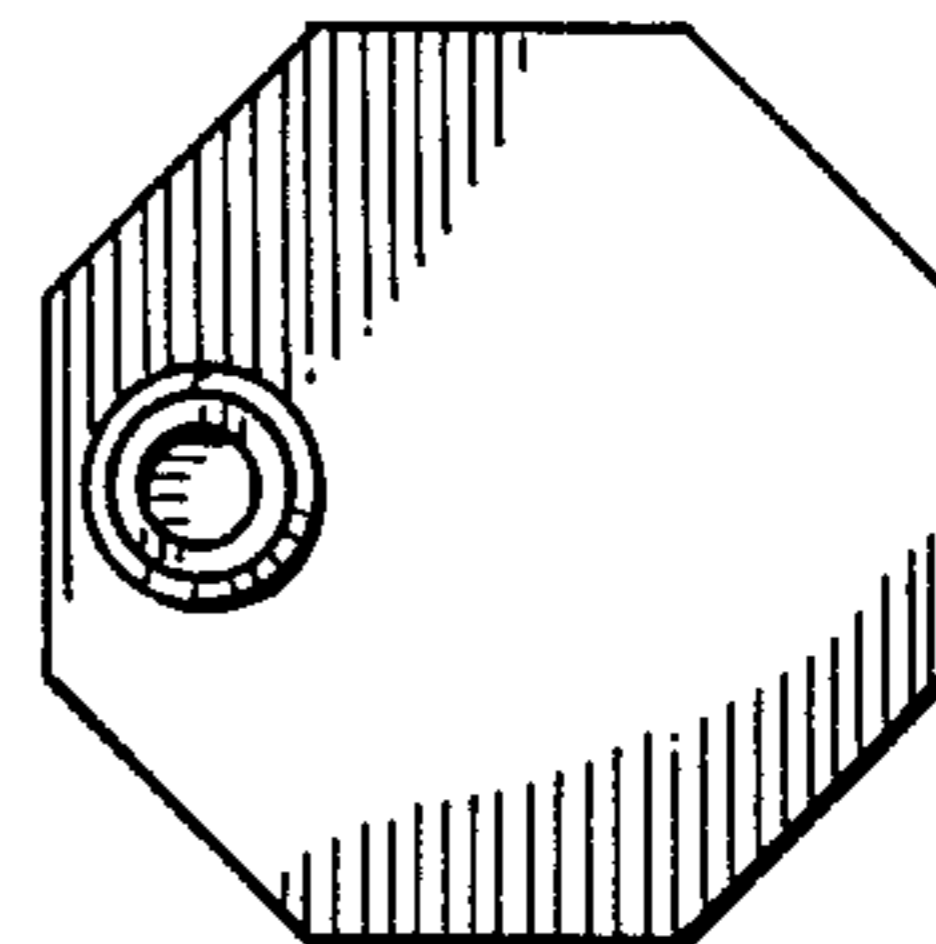


FIG. 22

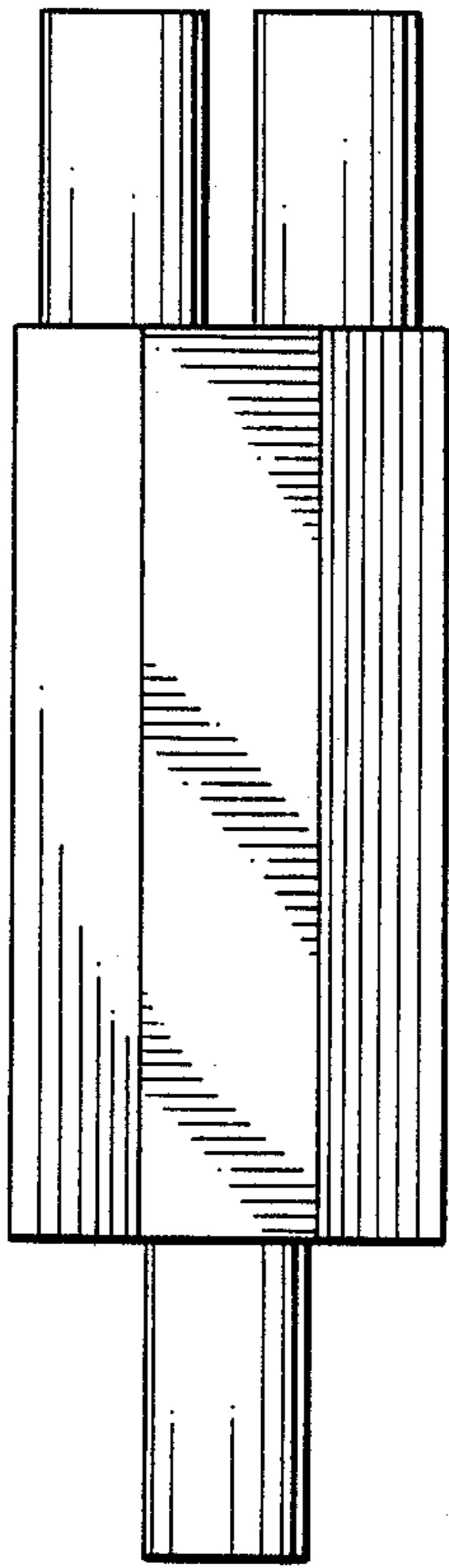


FIG. 23

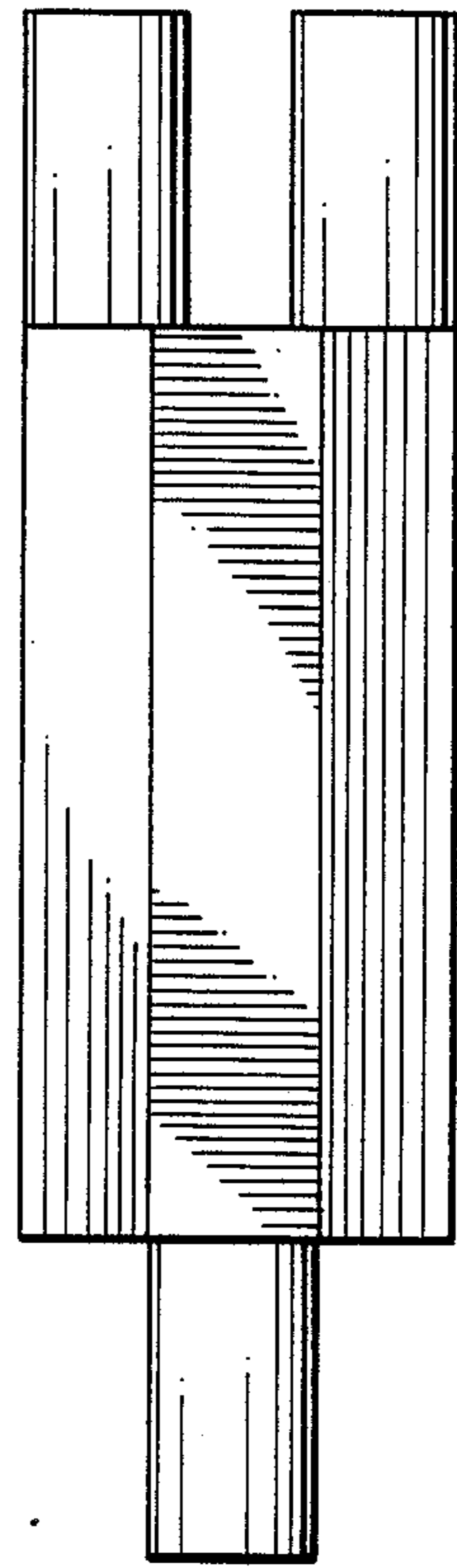


FIG. 24

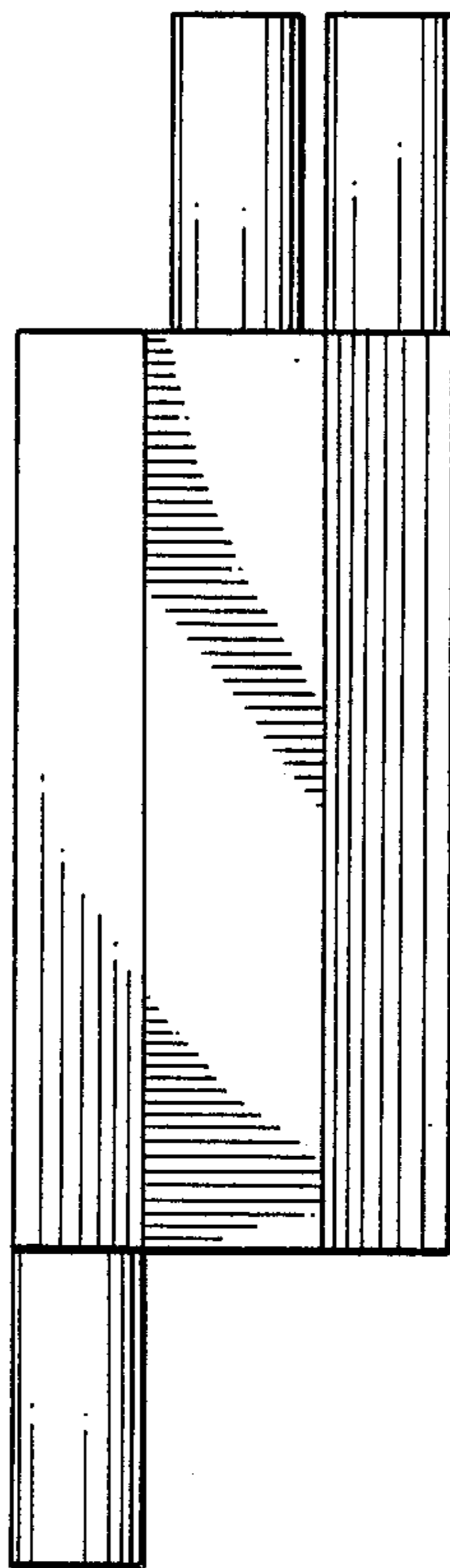


FIG. 25