

[54] LAMP BASE

[76] Inventor: Jimmy L. Reasons, Rte. 2, Box 72, Humboldt, Tenn. 38343

[**] Term: 14 Years

[21] Appl. No.: 42,452

[22] Filed: Apr. 24, 1987

[52] U.S. Cl. D26/93; D26/106

[58] Field of Search D26/93, 102-112; 362/410, 411, 412, 413, 414, 134, 806

[56] References Cited

U.S. PATENT DOCUMENTS

- D. 243,879 3/1977 O'Connell D26/111
- D. 261,938 11/1981 Gulick D26/110

OTHER PUBLICATIONS

- The Delta Gram, Jul.-Aug. 1950, p. 59, Turned Table Lamp.
- Sears Christmas Catalog, 1980, p. 445, Flicker Light, #19.
- Witter Golf Range Supply Co. Catalog, 1966, p. 29, Trophy "J".

Primary Examiner—Susan J. Lucas
Attorney, Agent, or Firm—Walker & McKenzie

[57] CLAIM

The ornamental design for a lamp base, as shown and described.

DESCRIPTION

FIG. 1 is a front elevational view of a lamp base showing my new design, the lamp socket and harp being shown in broken lines for illustrative purposes only.

FIG. 2 is a bottom plan view thereof.

FIG. 3 is a rear elevational view thereof.

FIG. 4 is a top plan view thereof.

FIG. 5 is a right side elevational view thereof, the left side being a mirror image.

FIG. 6 is a front elevational view of a second embodiment of my design.

FIG. 7 is a rear elevational view thereof.

FIG. 8 is a right side elevational view thereof, the left side being a mirror image.

FIG. 9 is a top plan view thereof.

FIG. 10 is a bottom plan view thereof.

FIG. 11 is a front elevational view of a third embodiment of my design.

FIG. 12 is a top plan view thereof.

FIG. 13 is a right side elevational view thereof, the left side being a mirror image.

FIG. 14 is a bottom plan view thereof.

FIG. 15 is a rear elevational view thereof.

FIG. 16 is a cross-sectional view thereof as taken along line XVI—XVI of FIG. 11.

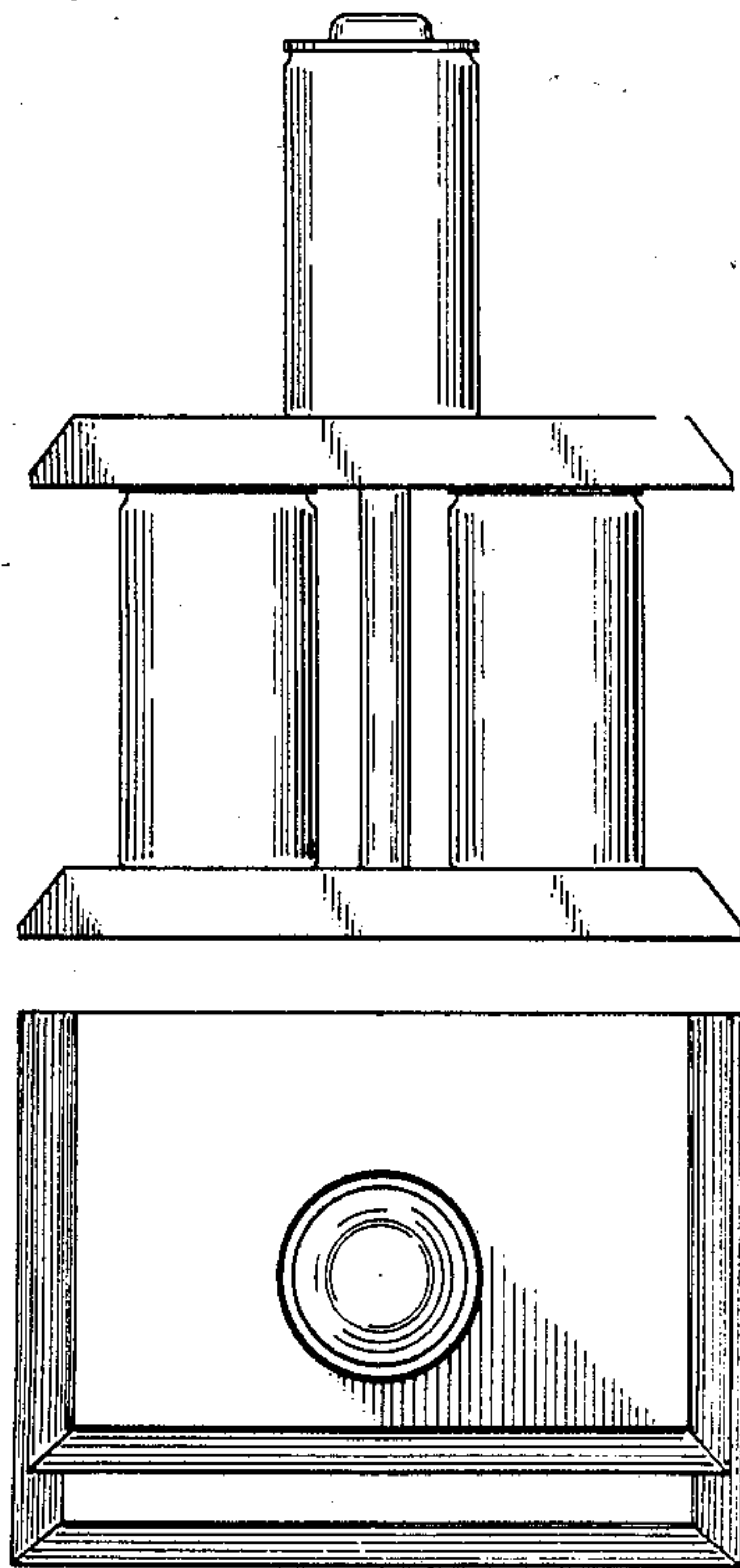


FIG. 1

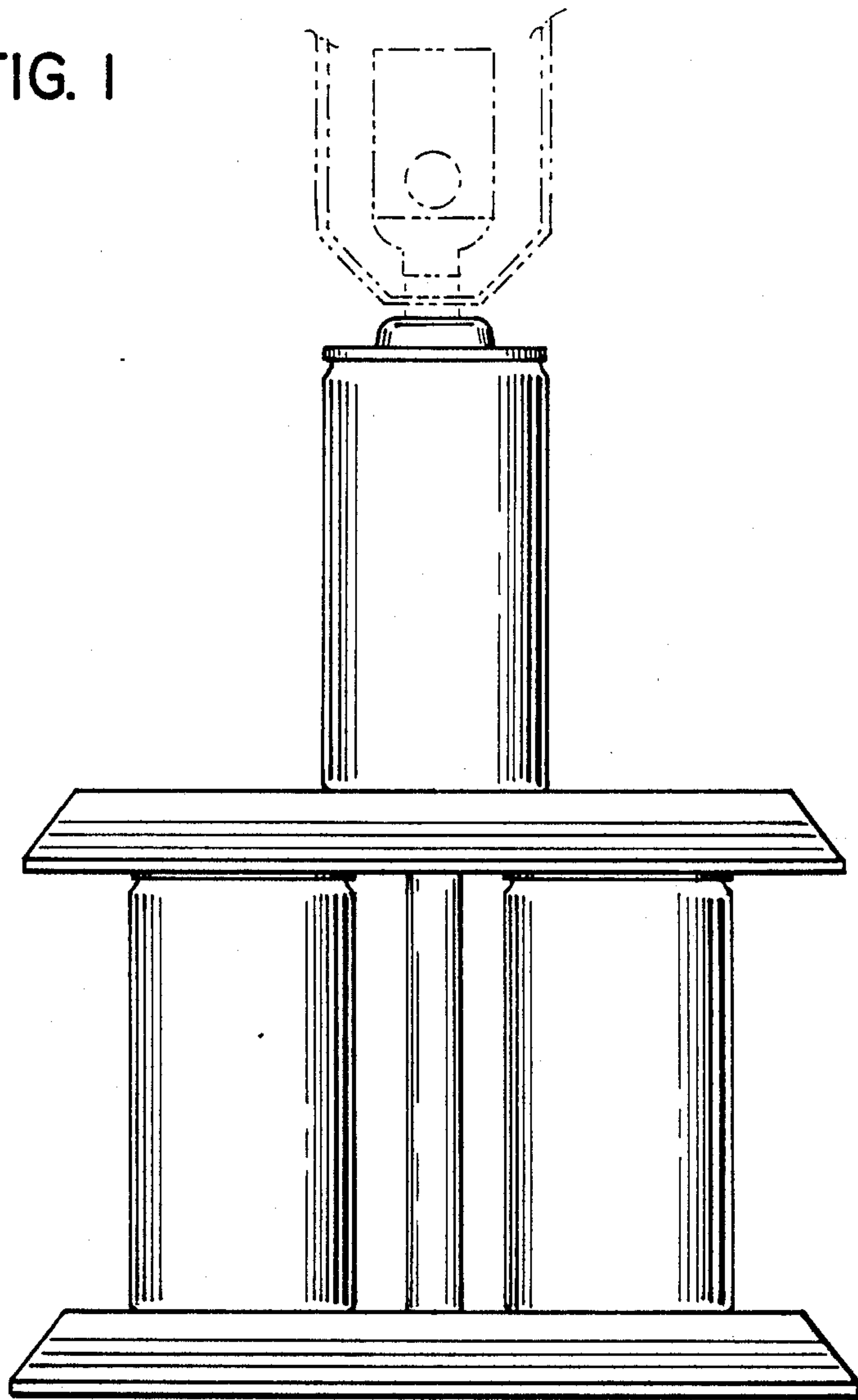


FIG. 2

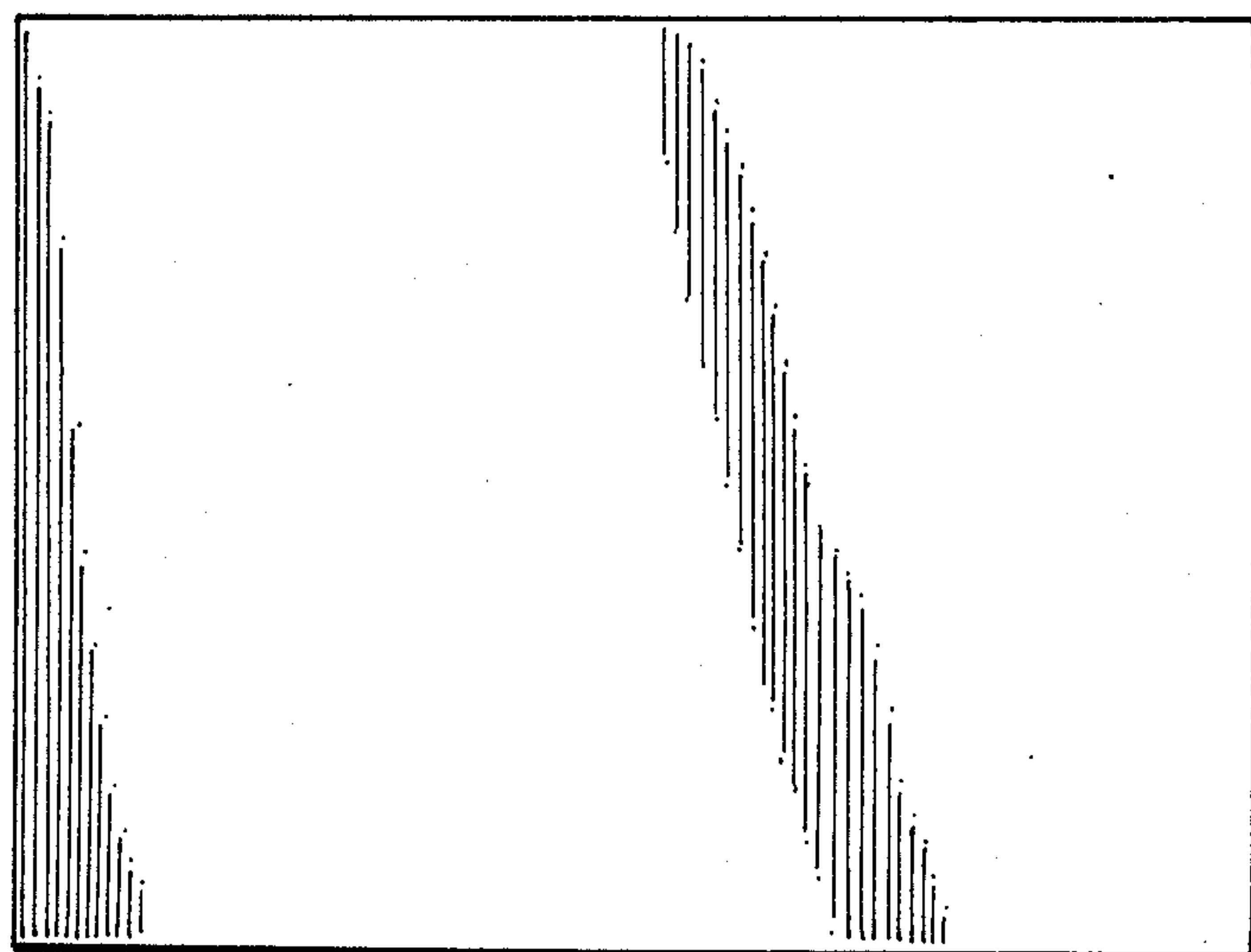


FIG. 3

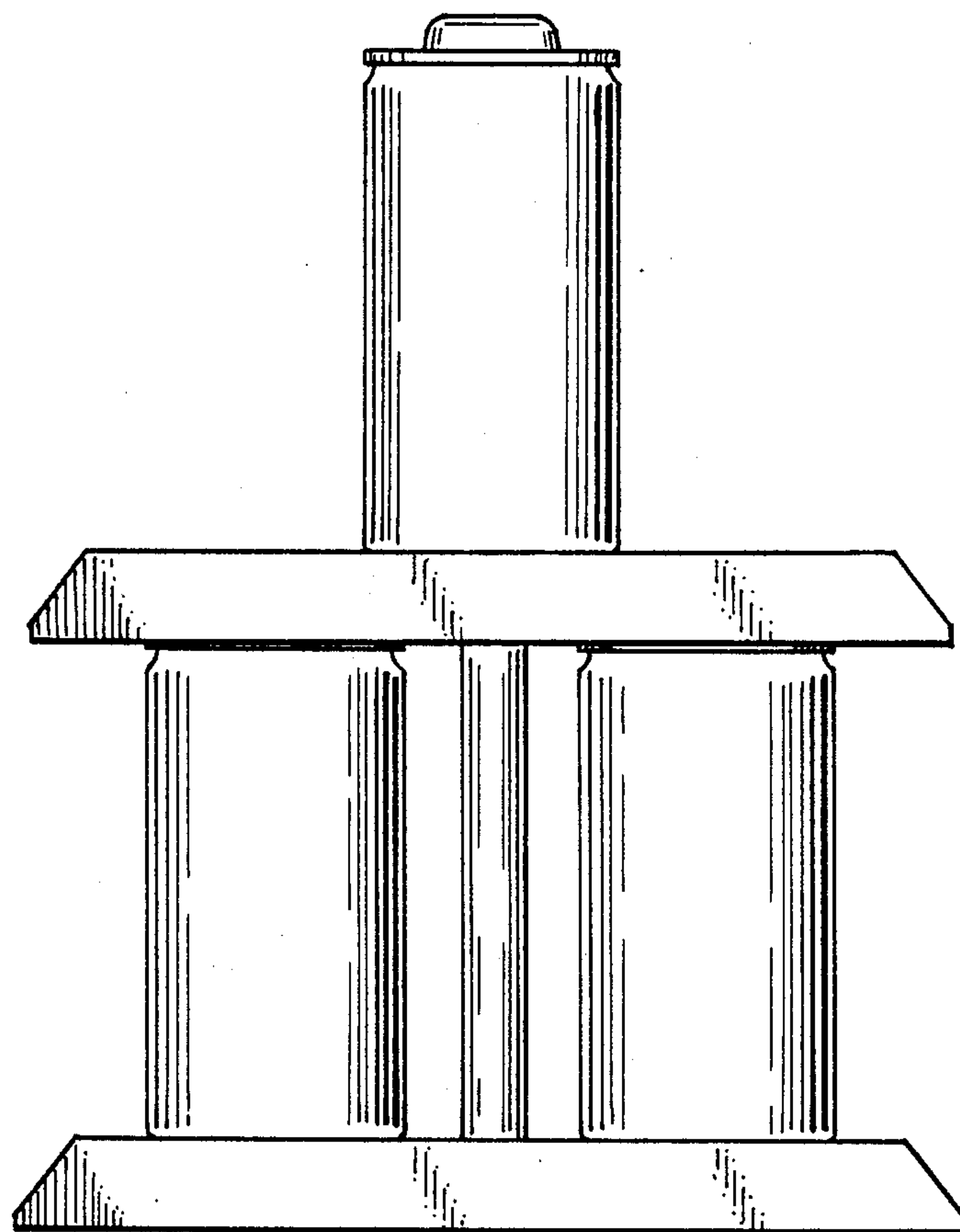


FIG. 4

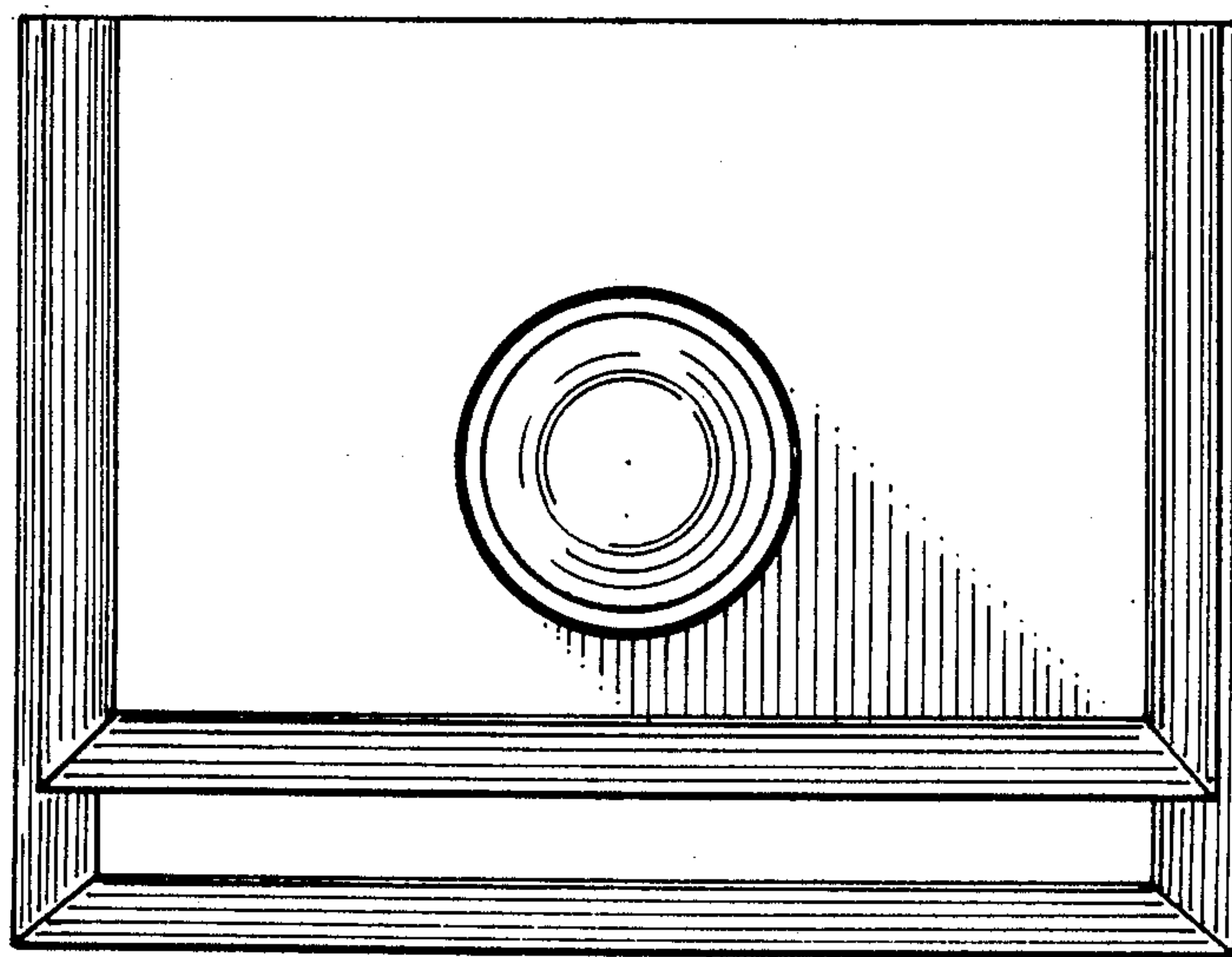


FIG. 5

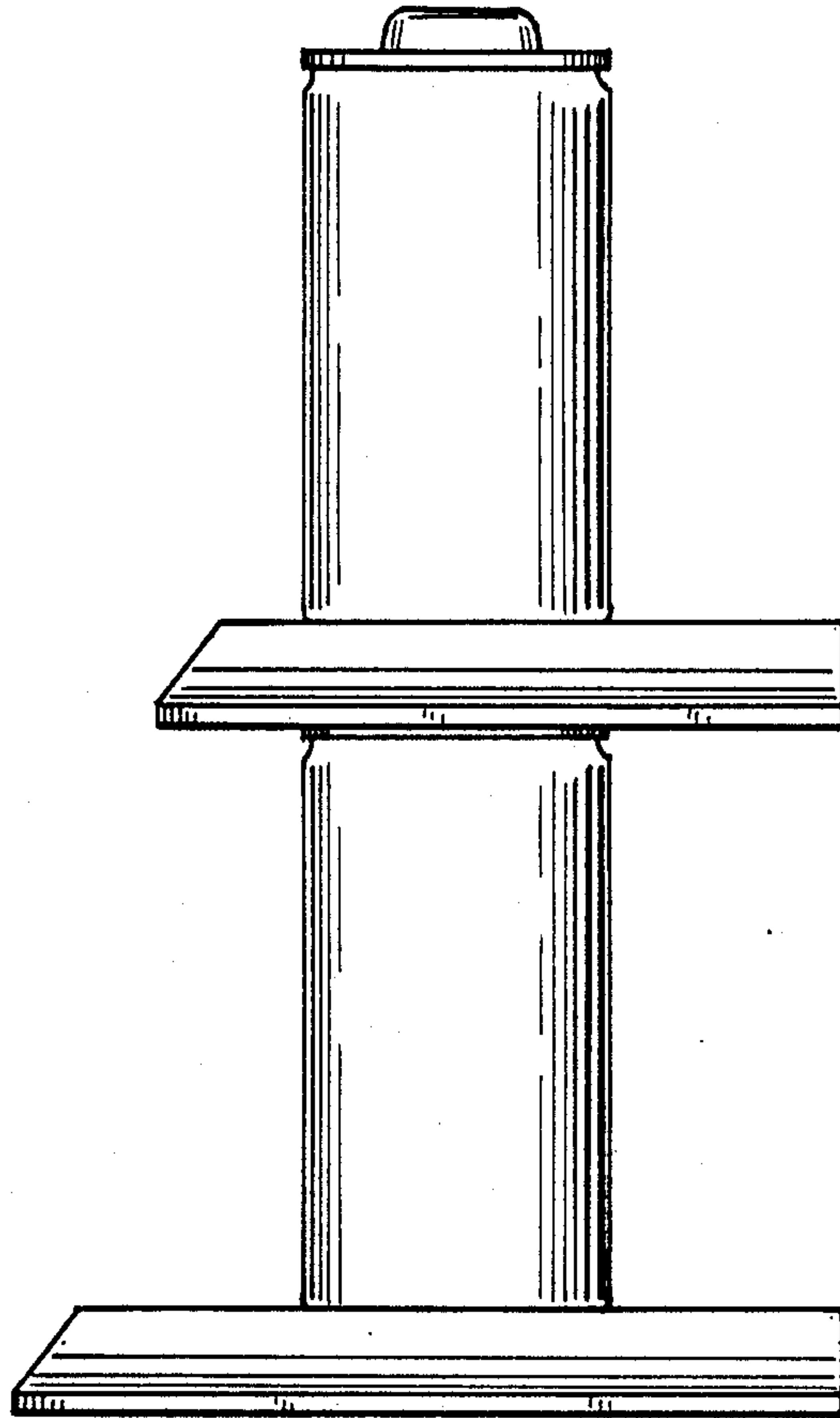


FIG. 6

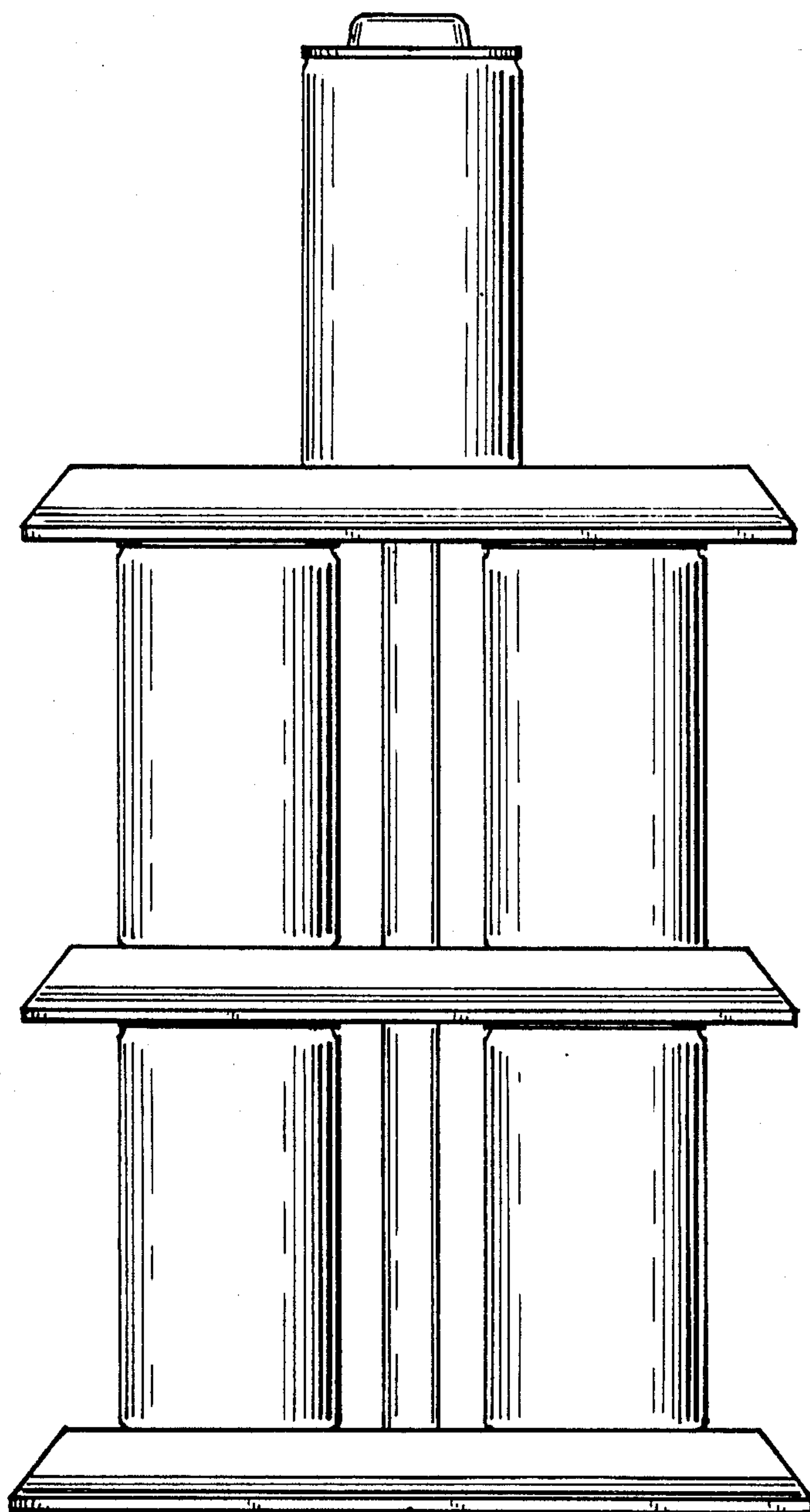


FIG. 7

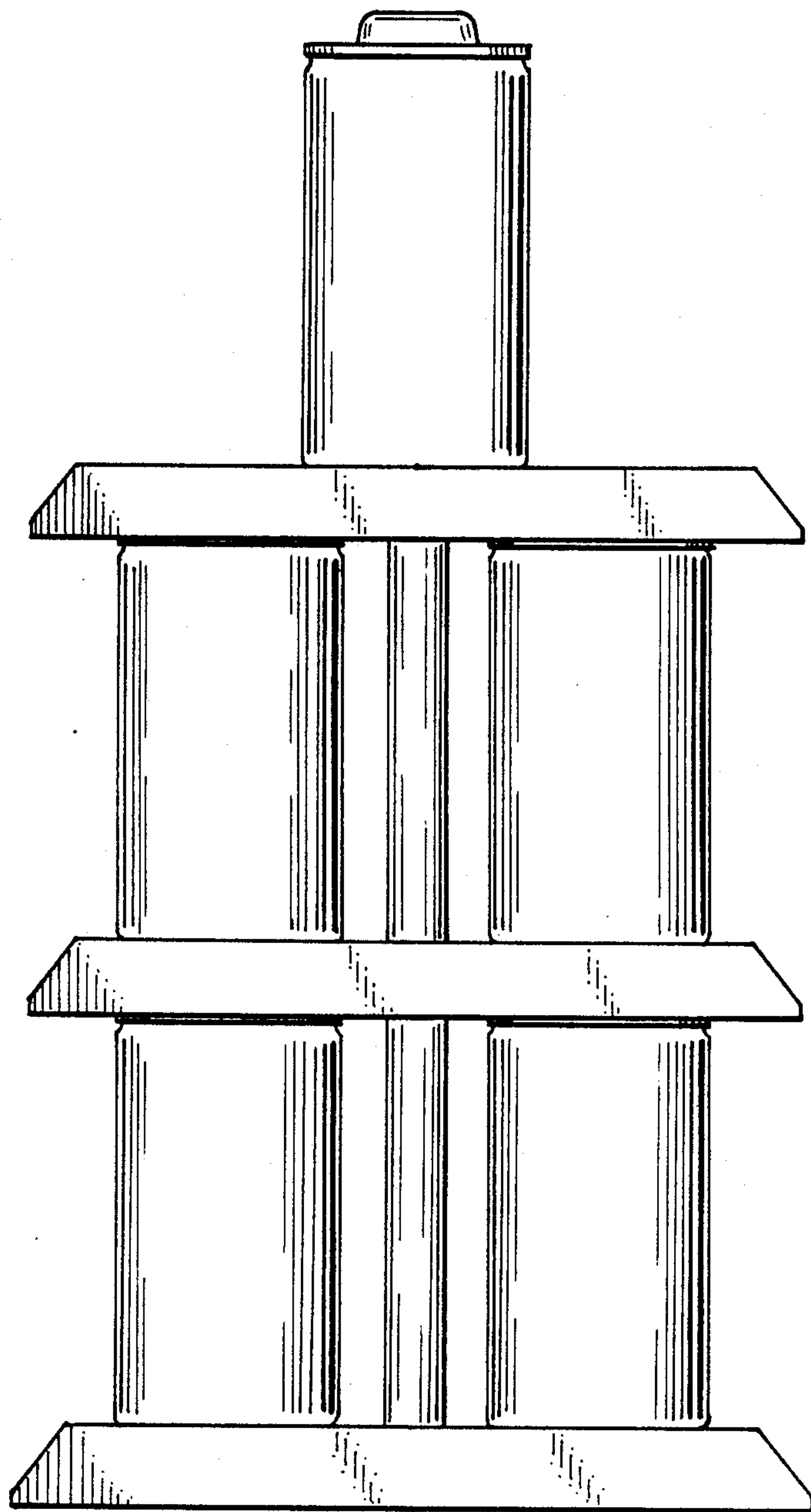


FIG. 8

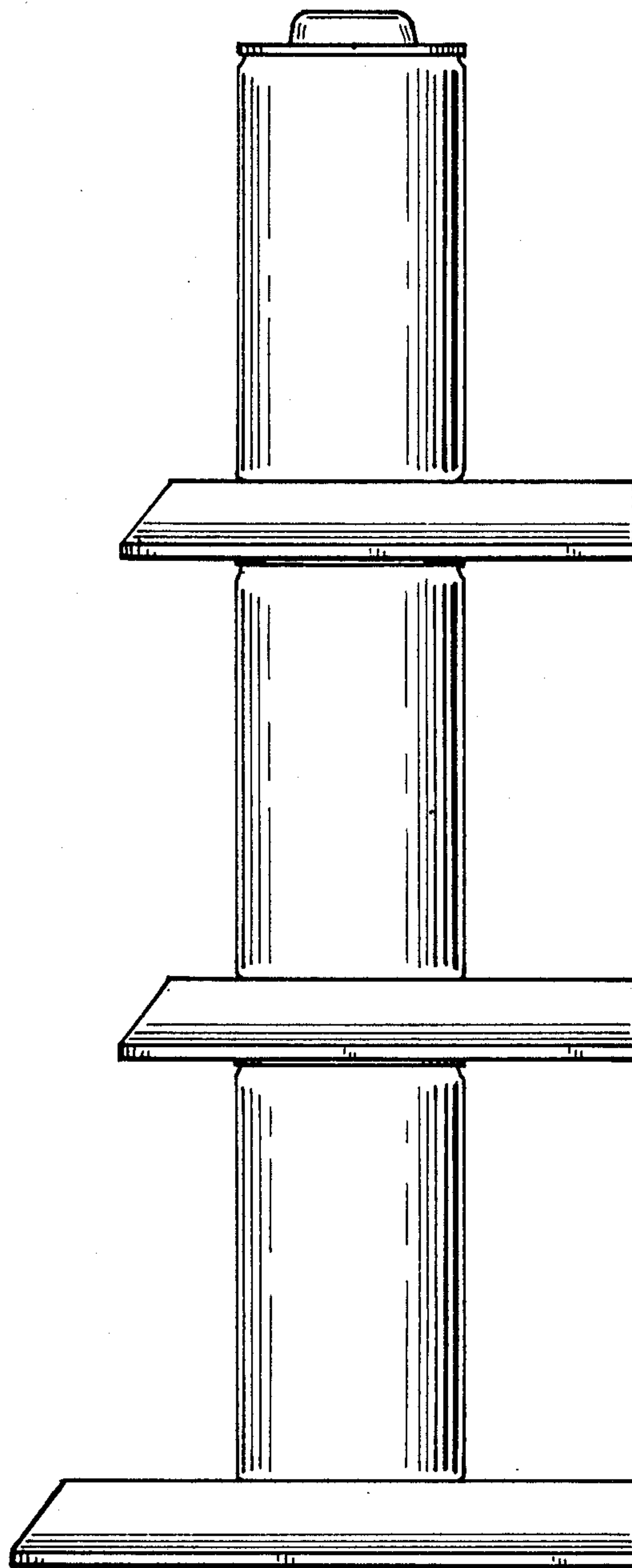


FIG. 9

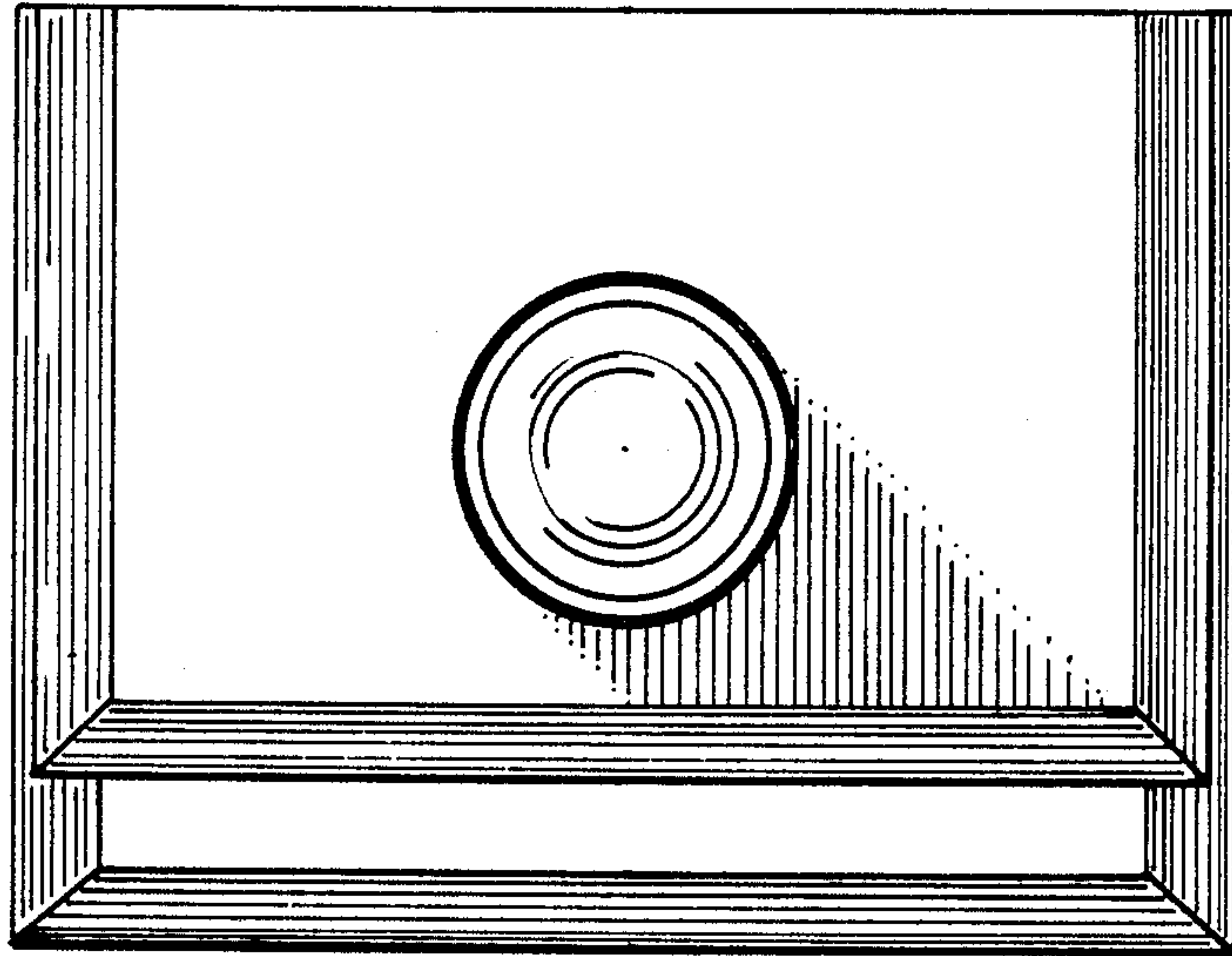


FIG. 10

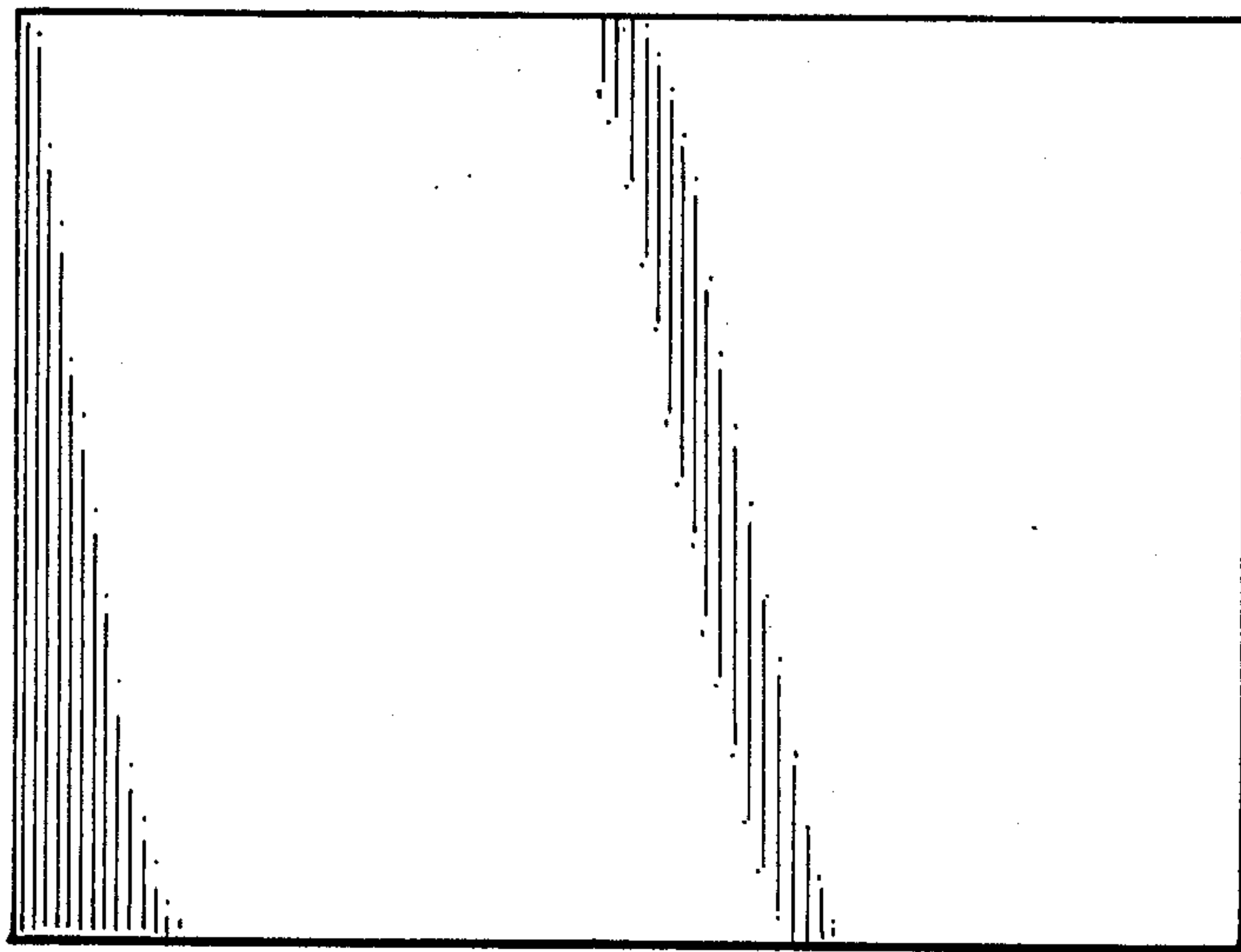


FIG. 11

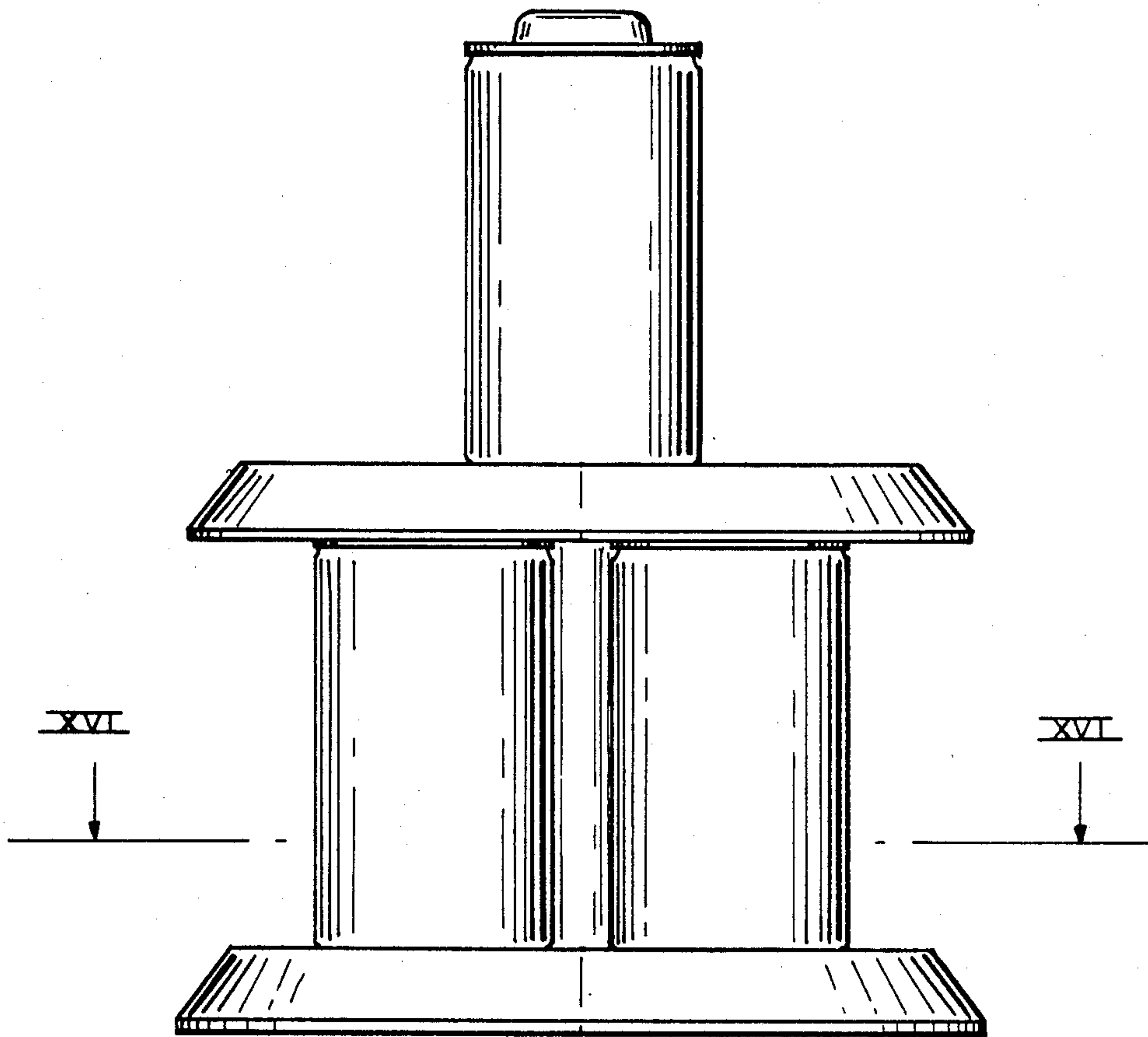


FIG. 12

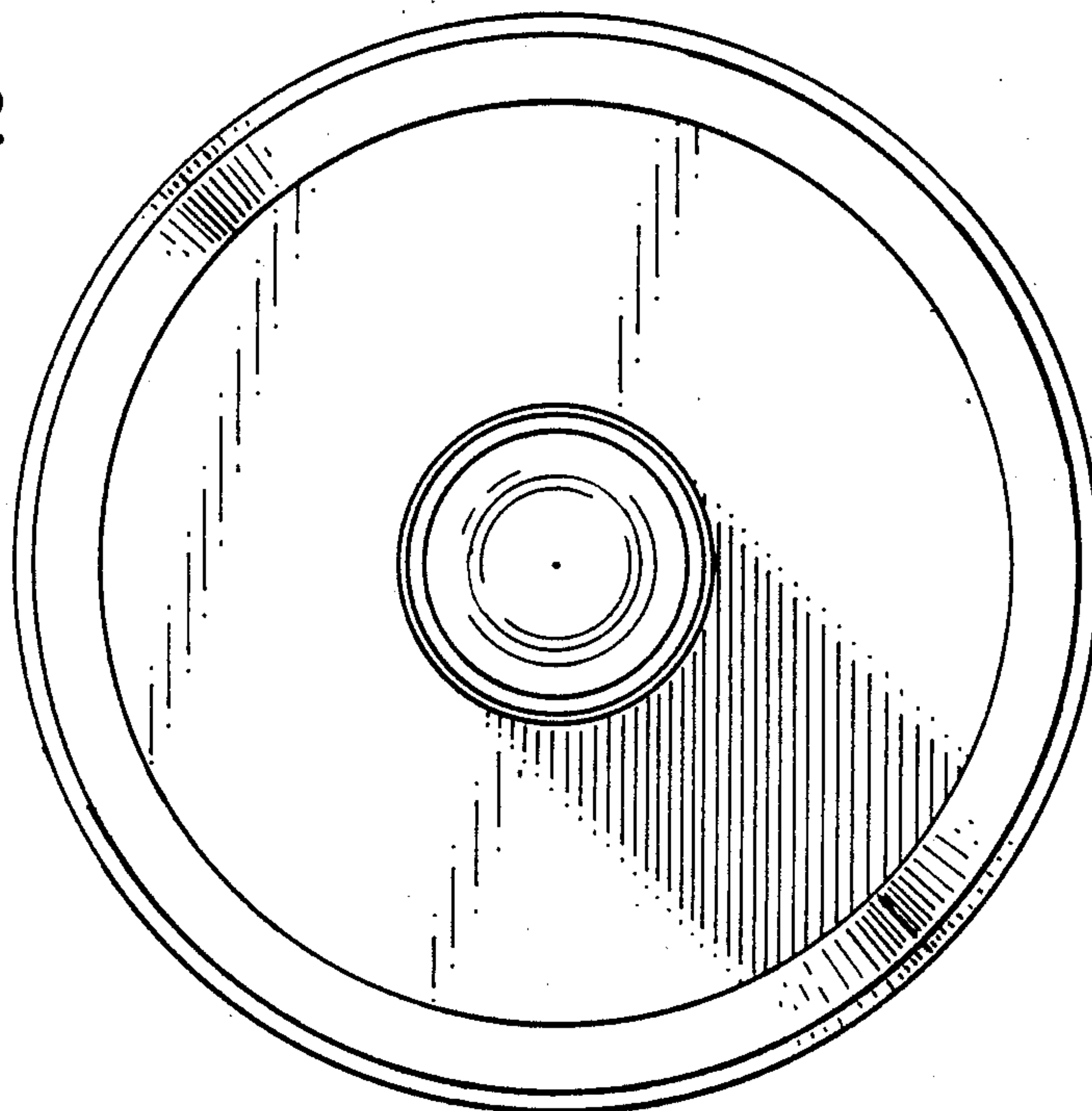


FIG. 13

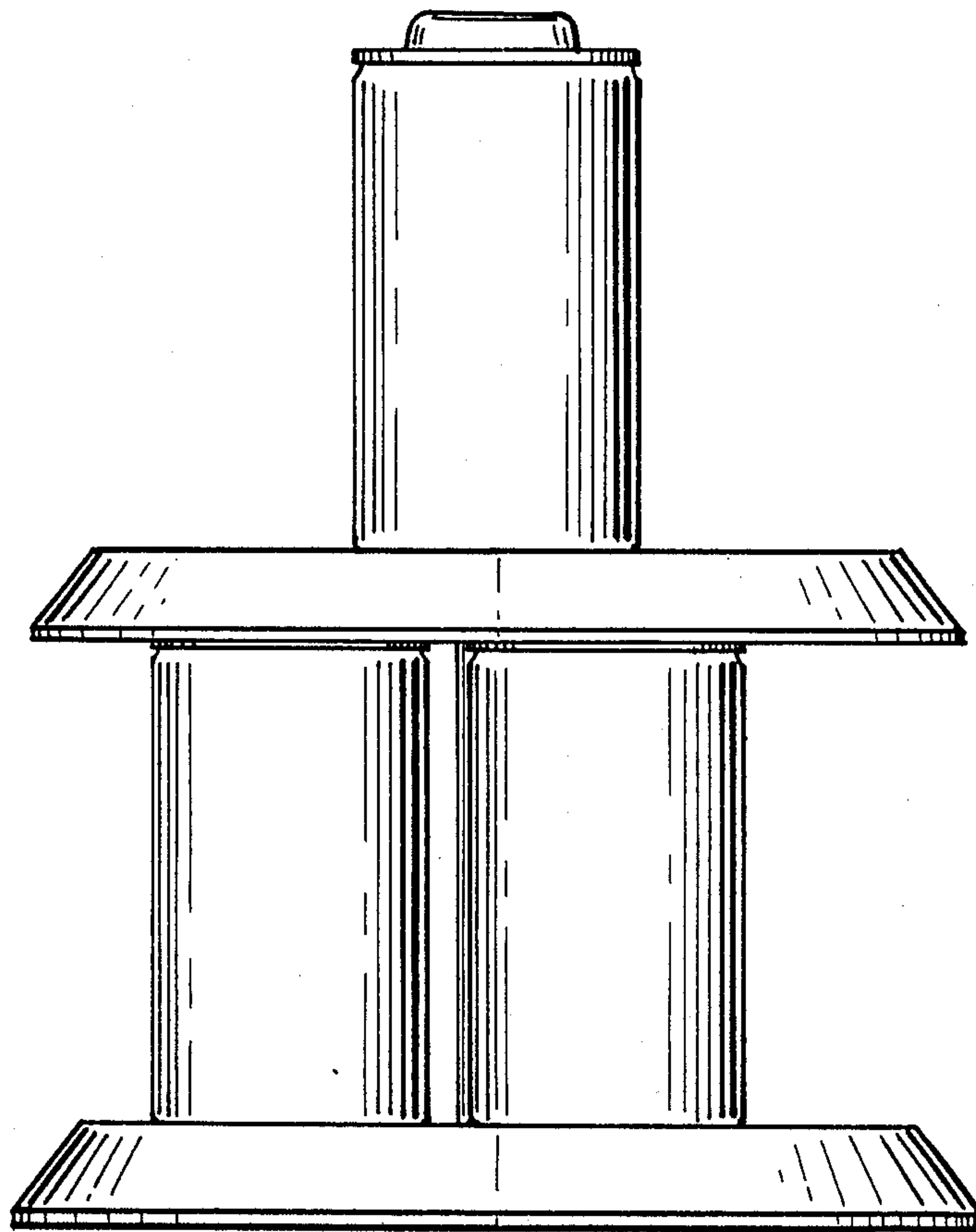


FIG. 14

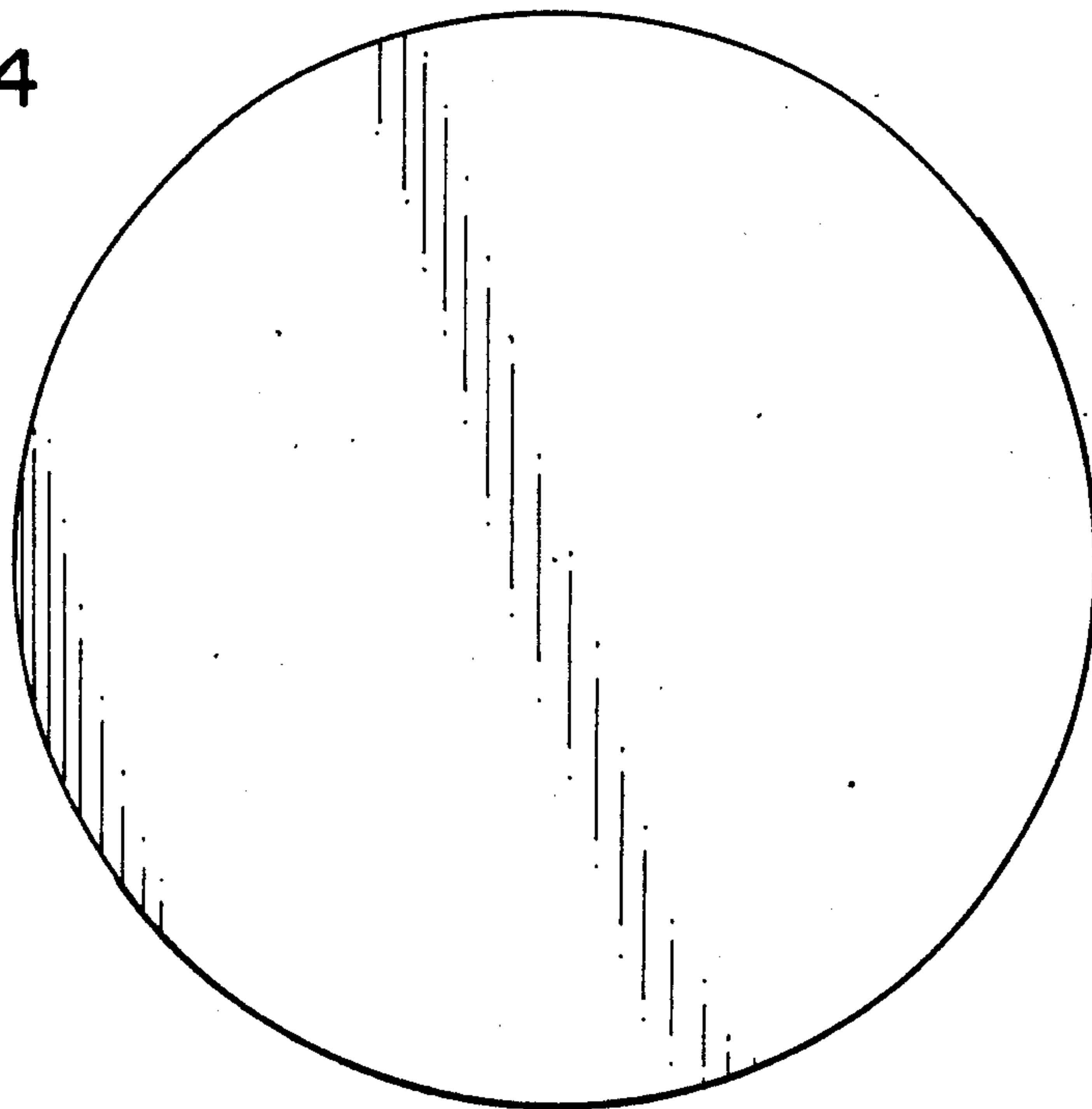


FIG. 15

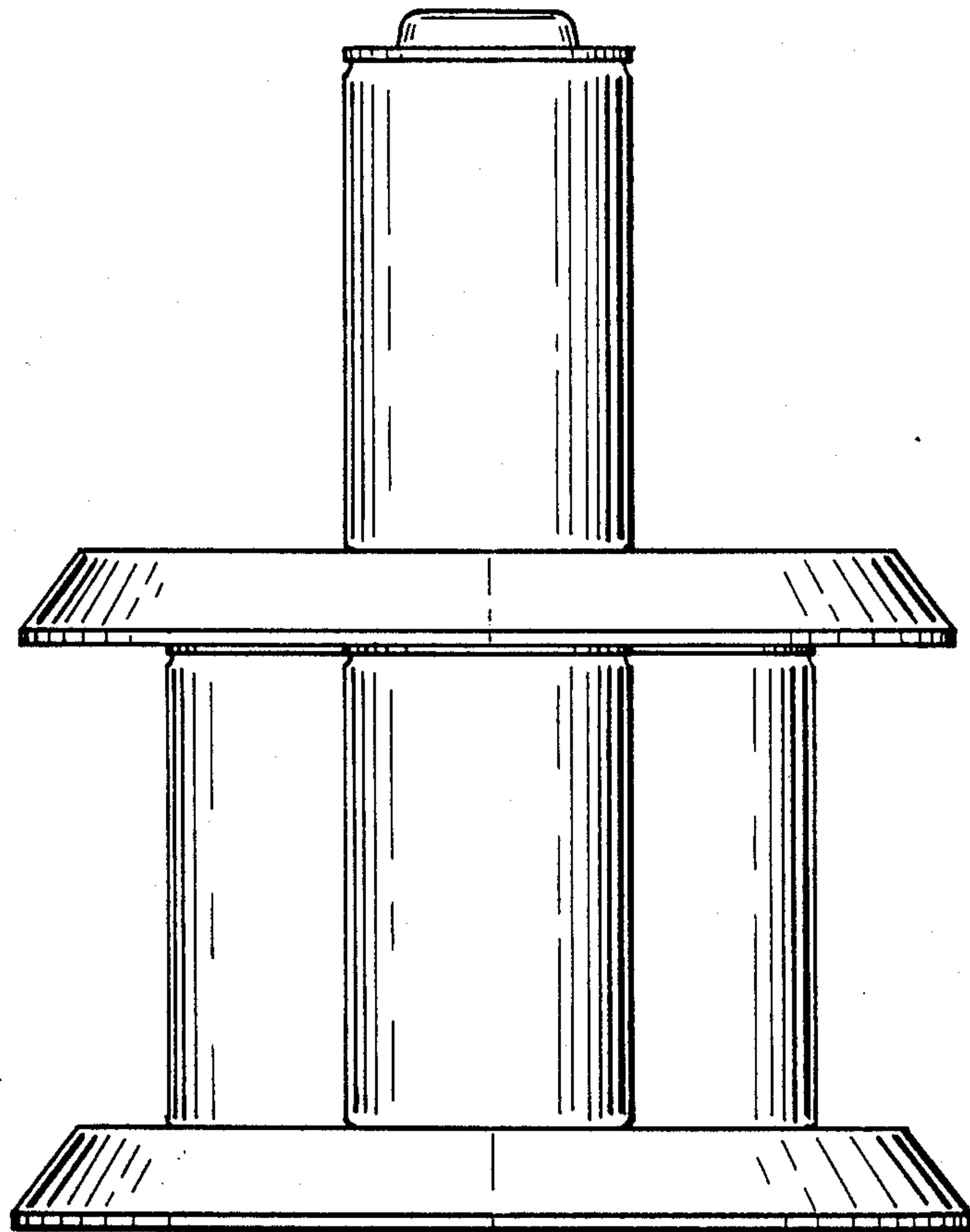


FIG. 16

