

[54] **MODULAR BLOCK**

[75] **Inventors:** Angelo Risi; Antonio Risi, both of Richmond Hill, Canada

[73] **Assignee:** Rothbury Investments Limited, Gormley, Canada

[\*\*] **Term:** 14 Years

[21] **Appl. No.:** 367,111

[22] **Filed:** Jun. 16, 1989

[30] **Foreign Application Priority Data**

Dec. 16, 1988 [CA] Canada ..... 16-12-88-7

[52] **U.S. Cl.** ..... **D25/113**

[58] **Field of Search** ..... D25/113-118;  
405/30, 19, 272, 273, 262, 284, 286; 52/590,  
593, 594

[56] **References Cited**

**U.S. PATENT DOCUMENTS**

D. 279,030 5/1985 Risi et al. .... D25/113  
2,158,943 5/1939 Mamula ..... D25/113 X

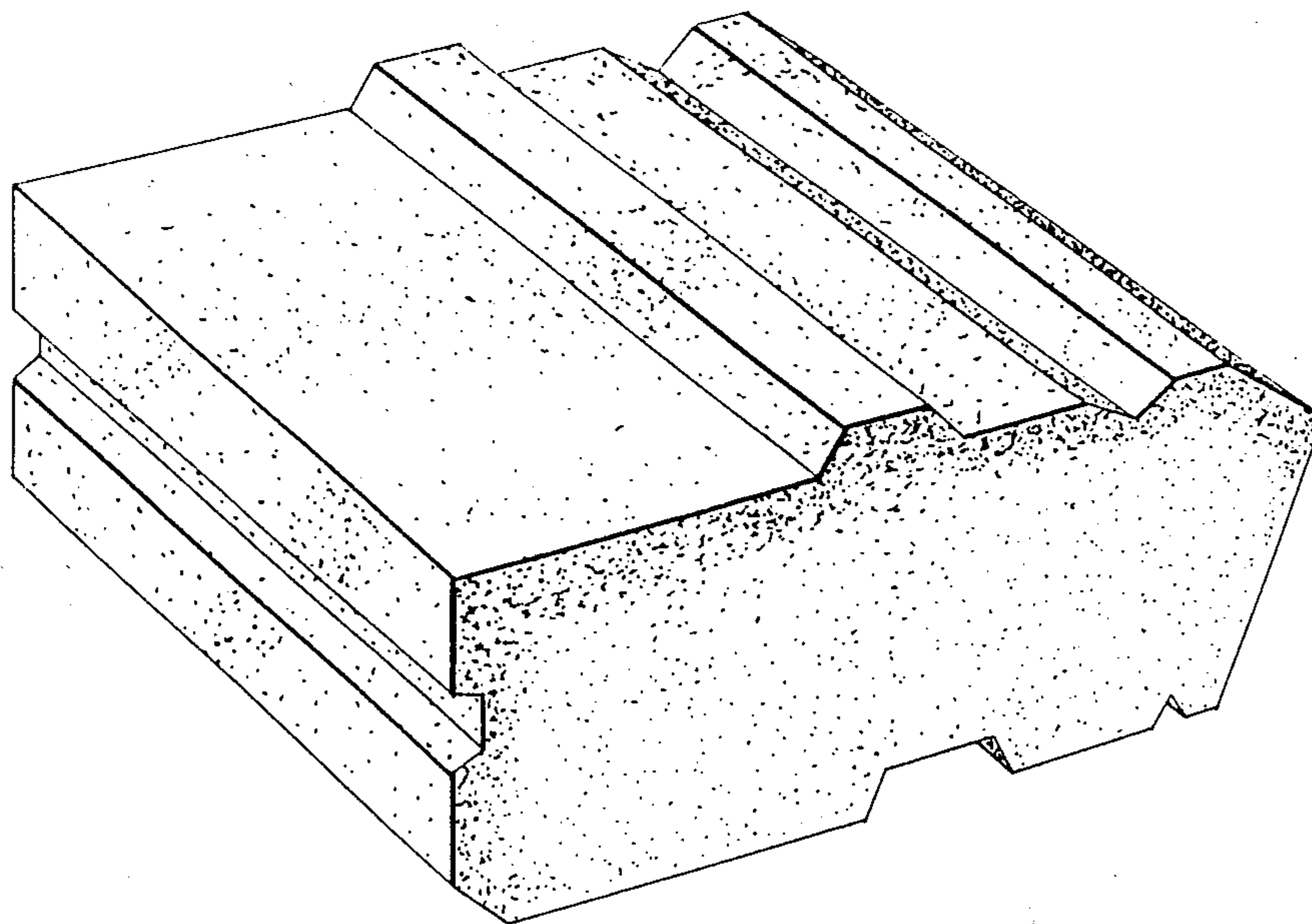
*Primary Examiner*—A. Hugo Word  
*Attorney, Agent, or Firm*—Weldon F. Green

[57] **CLAIM**

The ornamental design for a modular block, as shown.

**DESCRIPTION**

FIG. 1 is a perspective view of a modular block embodying our new design taken from a point upwardly and forwardly to the right of the front facing thereof; FIG. 2 is a perspective view of the modular block shown in FIG. 1 taken from a point downwardly and forwardly to the right of the front facing thereof.



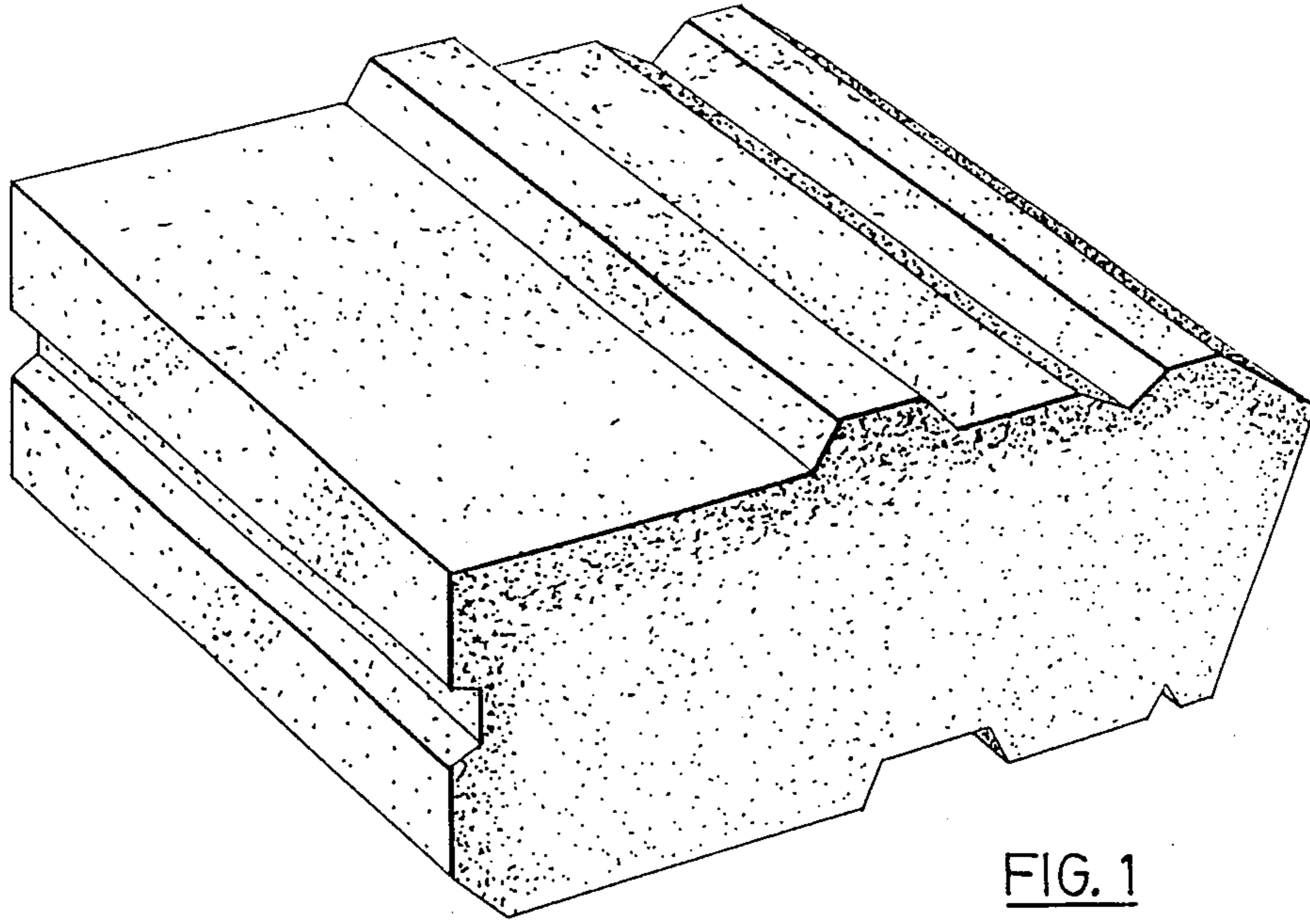


FIG. 1

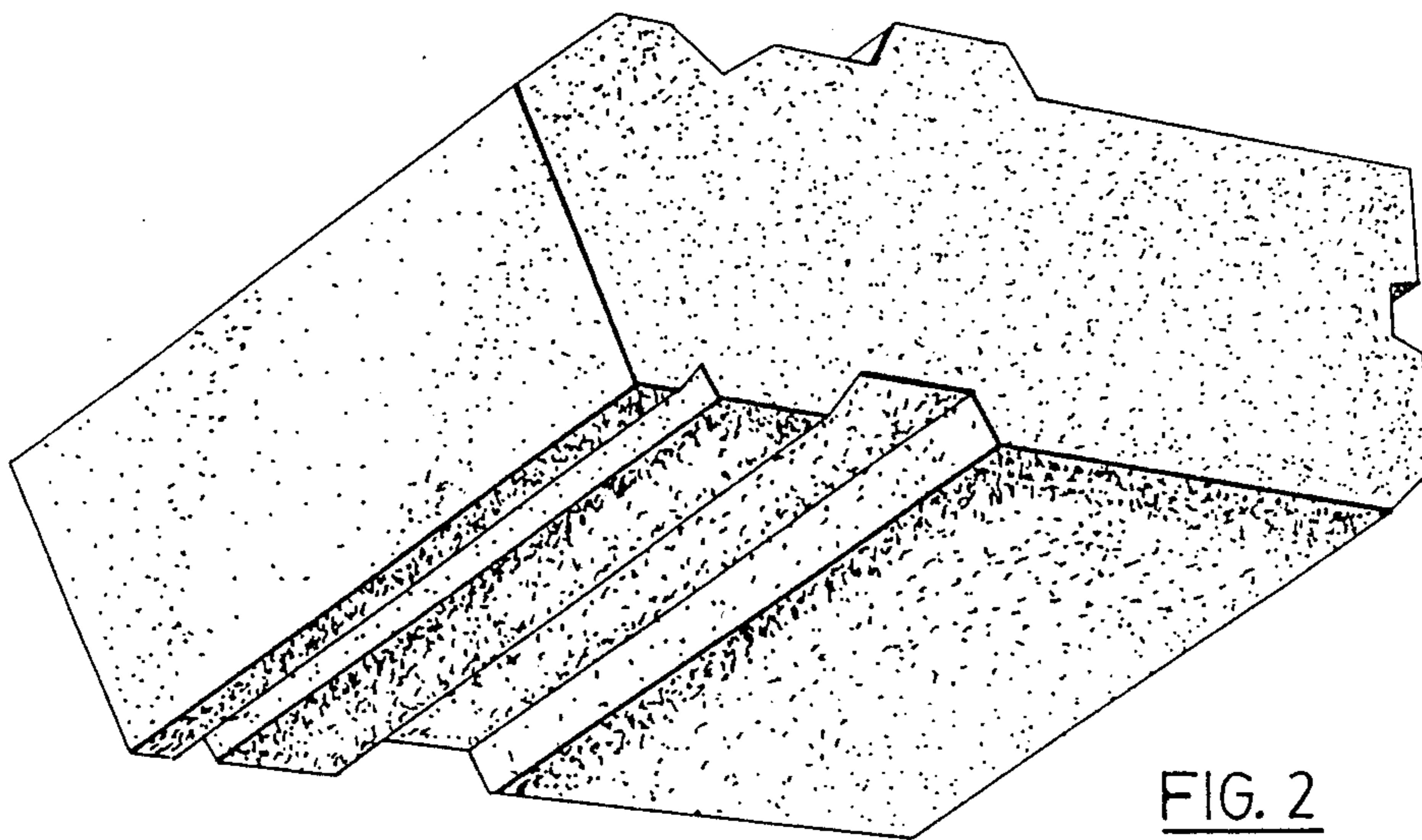


FIG. 2