

[54] FILTER FOR TREATING BLOOD

[75] Inventor: Yoshihisa Sone, Tokyo, Japan

[73] Assignee: Terumo Kabushiki Kaisha, Tokyo, Japan

[**] Term: 14 Years

[21] Appl. No.: 53,414

[22] Filed: May 21, 1987

[30] Foreign Application Priority Data

Nov. 27, 1986 [JP] Japan 61-46597

[52] U.S. Cl. D24/21; D23/209

[58] Field of Search D24/8, 21; 210/196, 210/321.63, 321.84, 321.85, 446, 456, 493.1, 179; D23/209

[56] References Cited

U.S. PATENT DOCUMENTS

- D. 235,035 4/1975 Rosenberg D24/21
- D. 260,175 8/1981 Hein et al. D24/21

- 3,701,433 10/1972 Krakauer 210/446 X
- 4,159,954 7/1979 Gangemi 210/446
- 4,170,056 10/1979 Meyst et al. 210/446 X

Primary Examiner—A. Hugo Word
Assistant Examiner—Stella M. Reid
Attorney, Agent, or Firm—Frishauf, Holtz, Goodman & Woodward

[57] CLAIM

The ornamental design for a filter for treating blood, as shown and described.

DESCRIPTION

FIG. 1 is a top perspective view of a filter for treating blood, showing my new design;
FIG. 2 is a bottom perspective view thereof;
FIG. 3 is a front elevational view thereof, the rear view being identical thereto;
FIG. 4 is a left side elevational view thereof, the right side being identical thereto;
FIG. 5 is a top plan view thereof; and
FIG. 6 is a bottom plan view thereof.

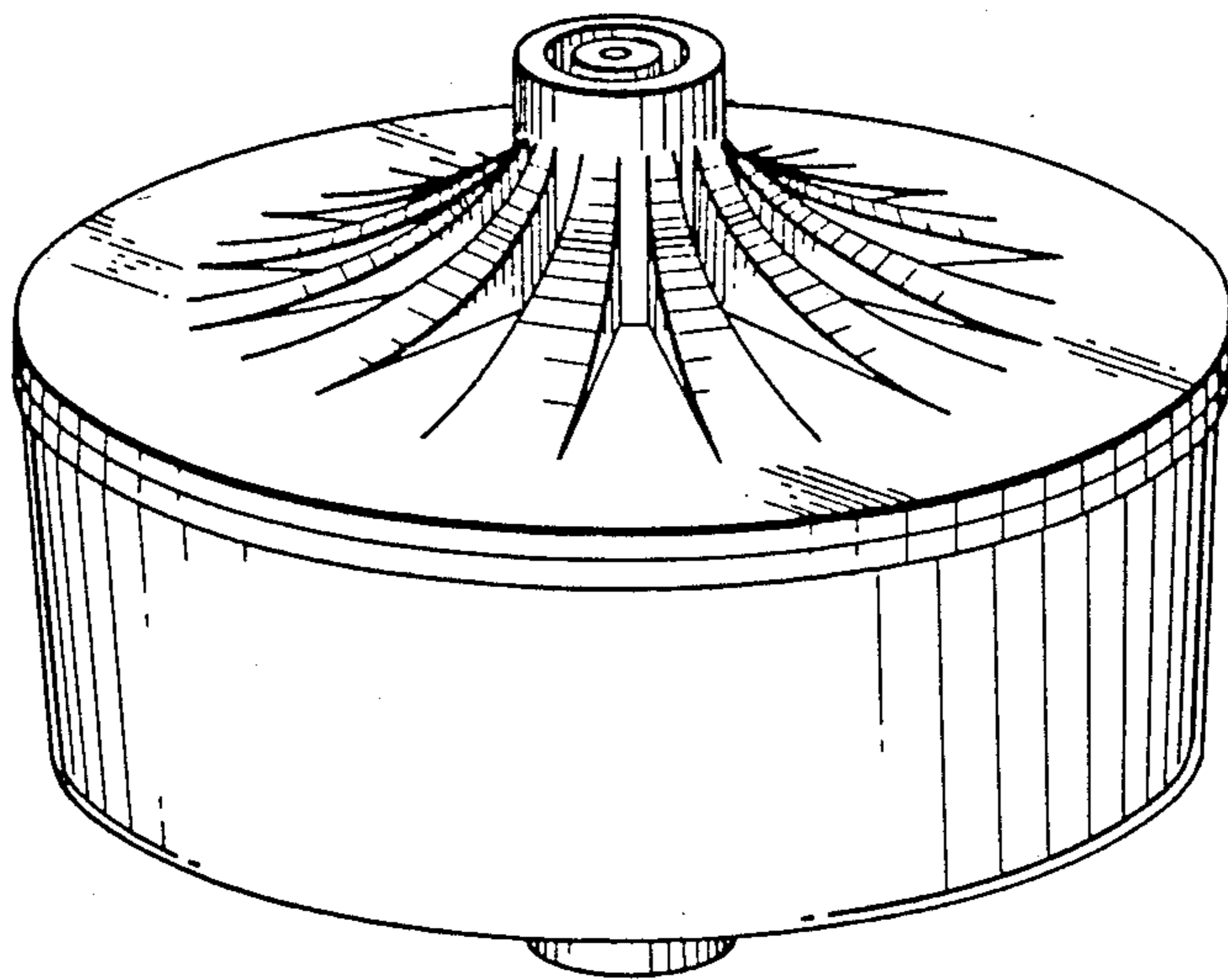


FIG. 1

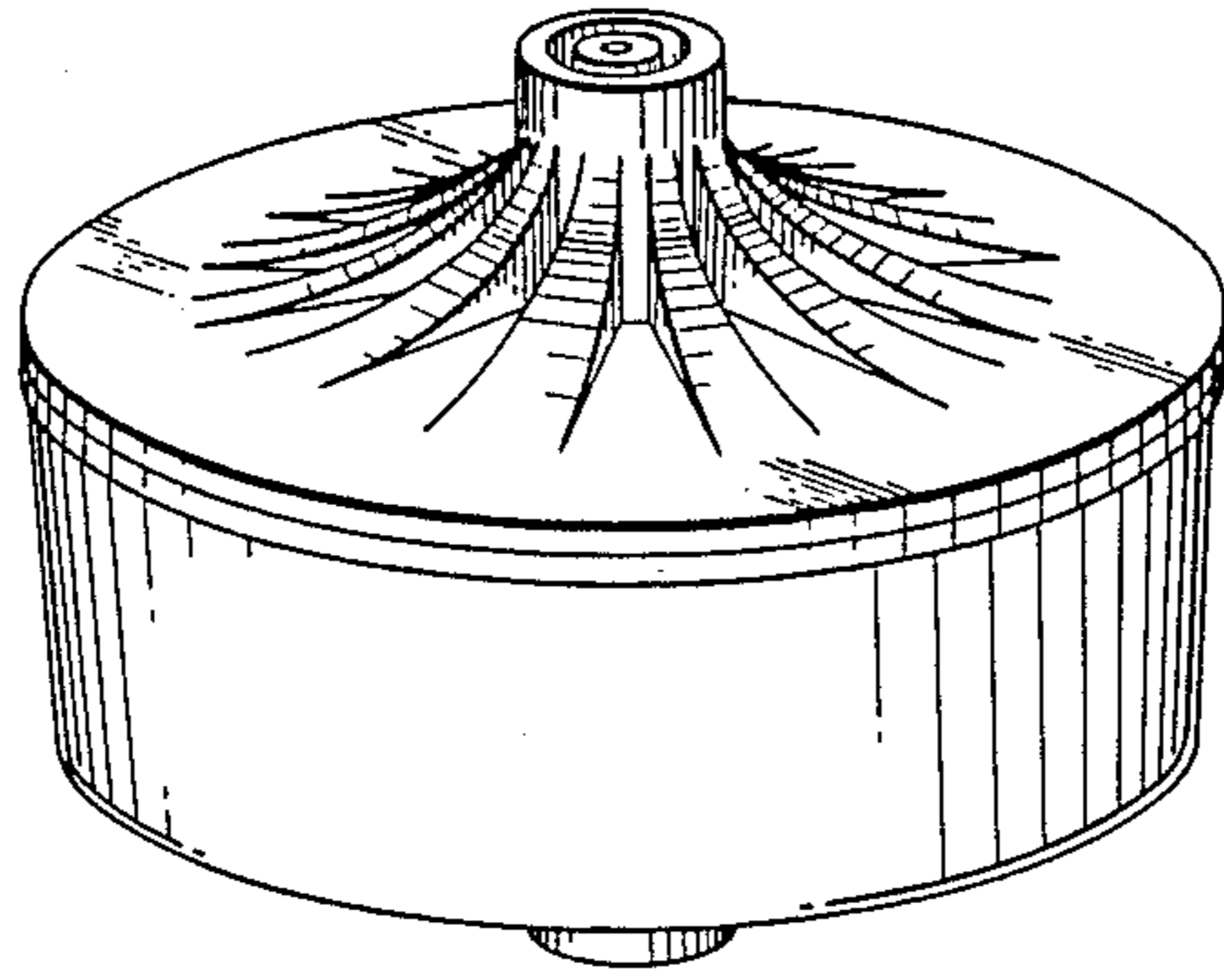


FIG. 2

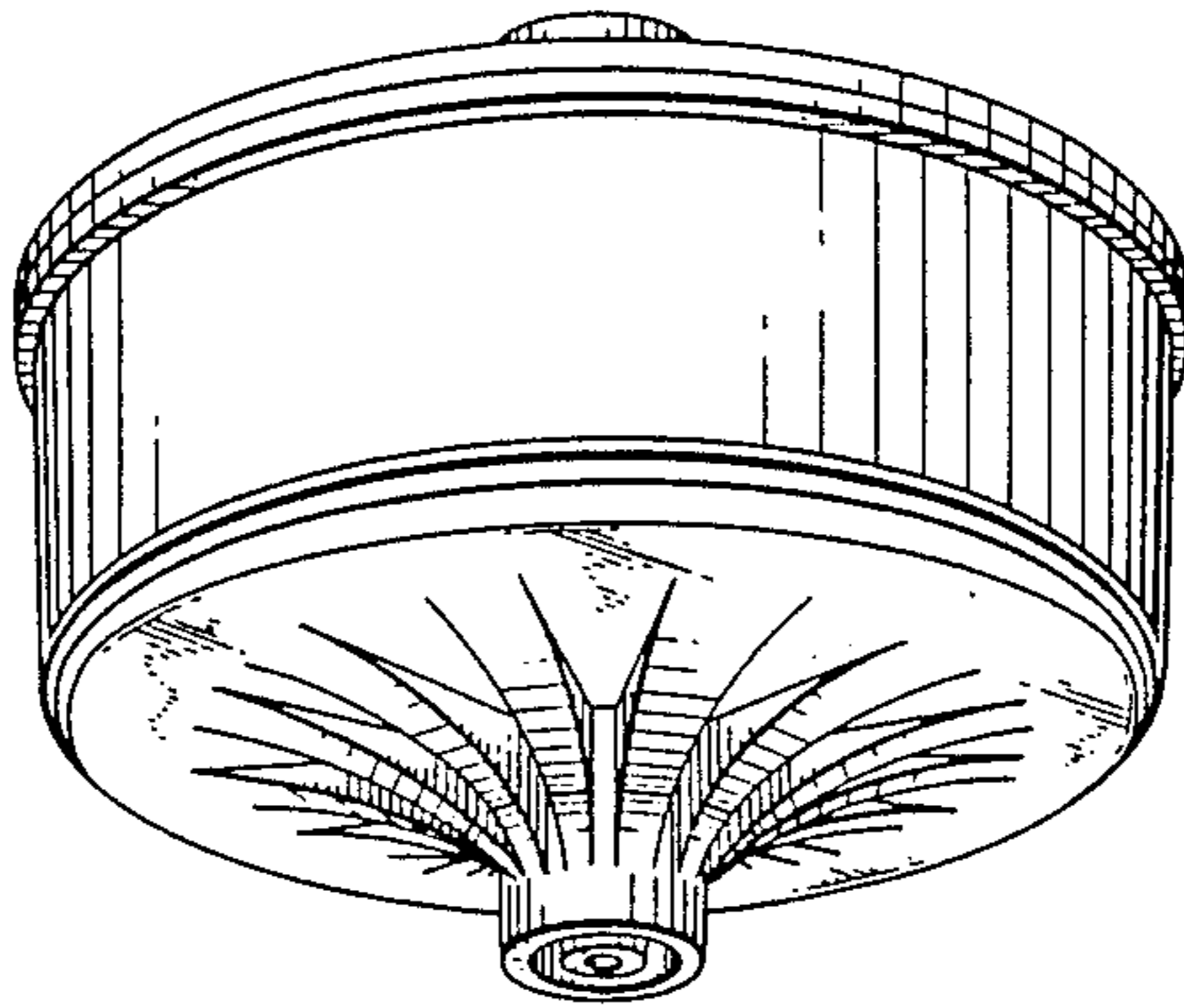


FIG.3

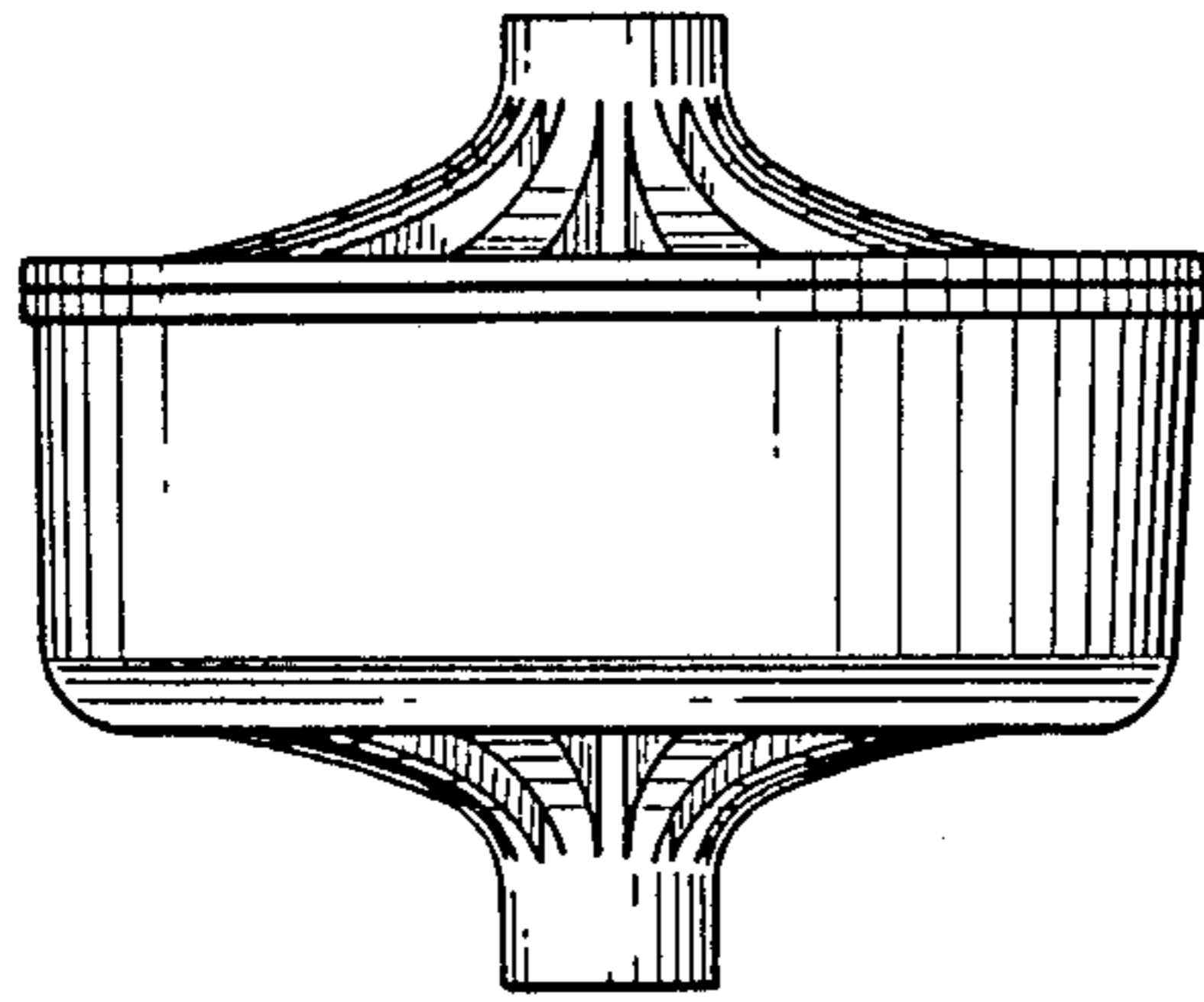


FIG.4

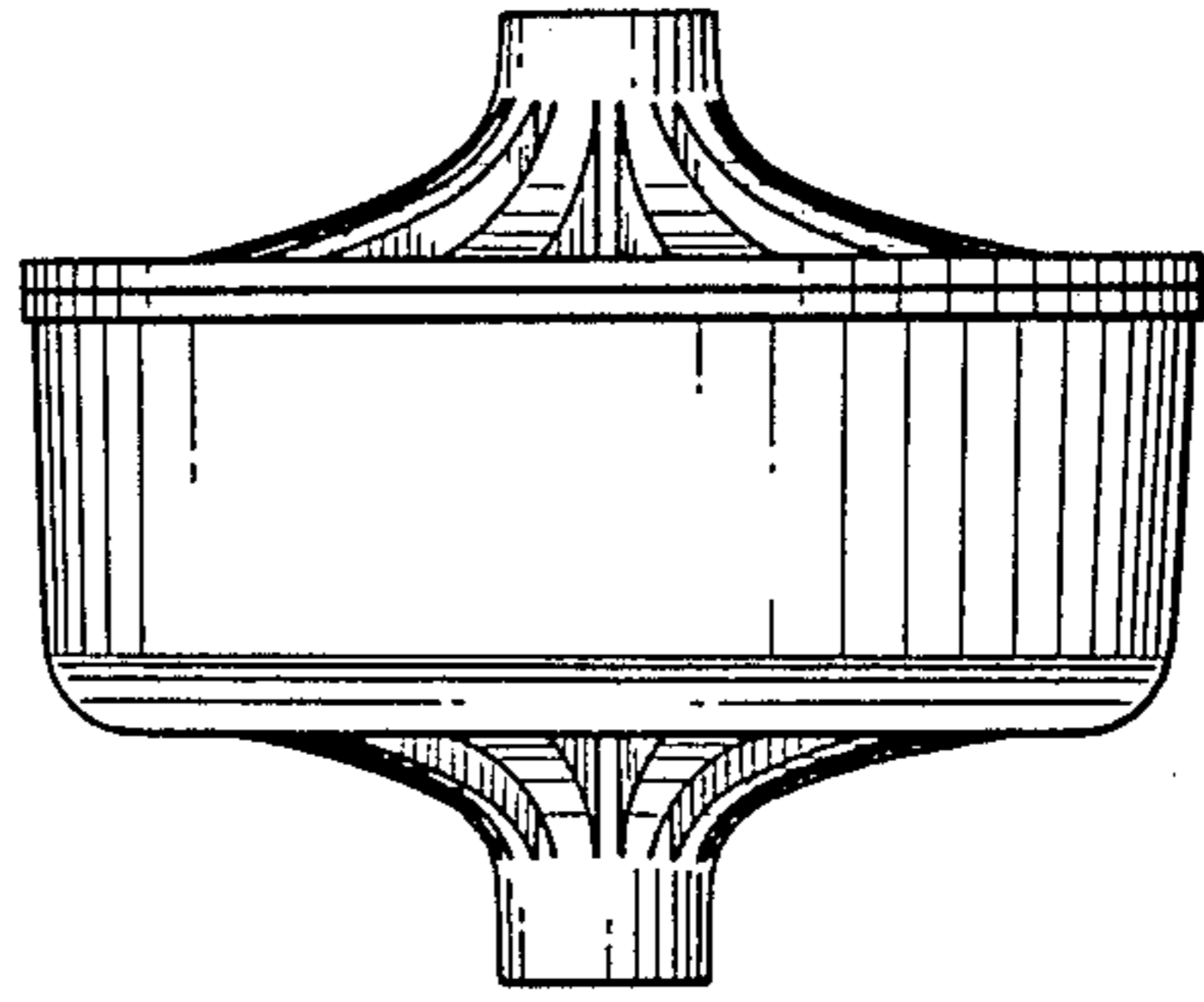


FIG.5

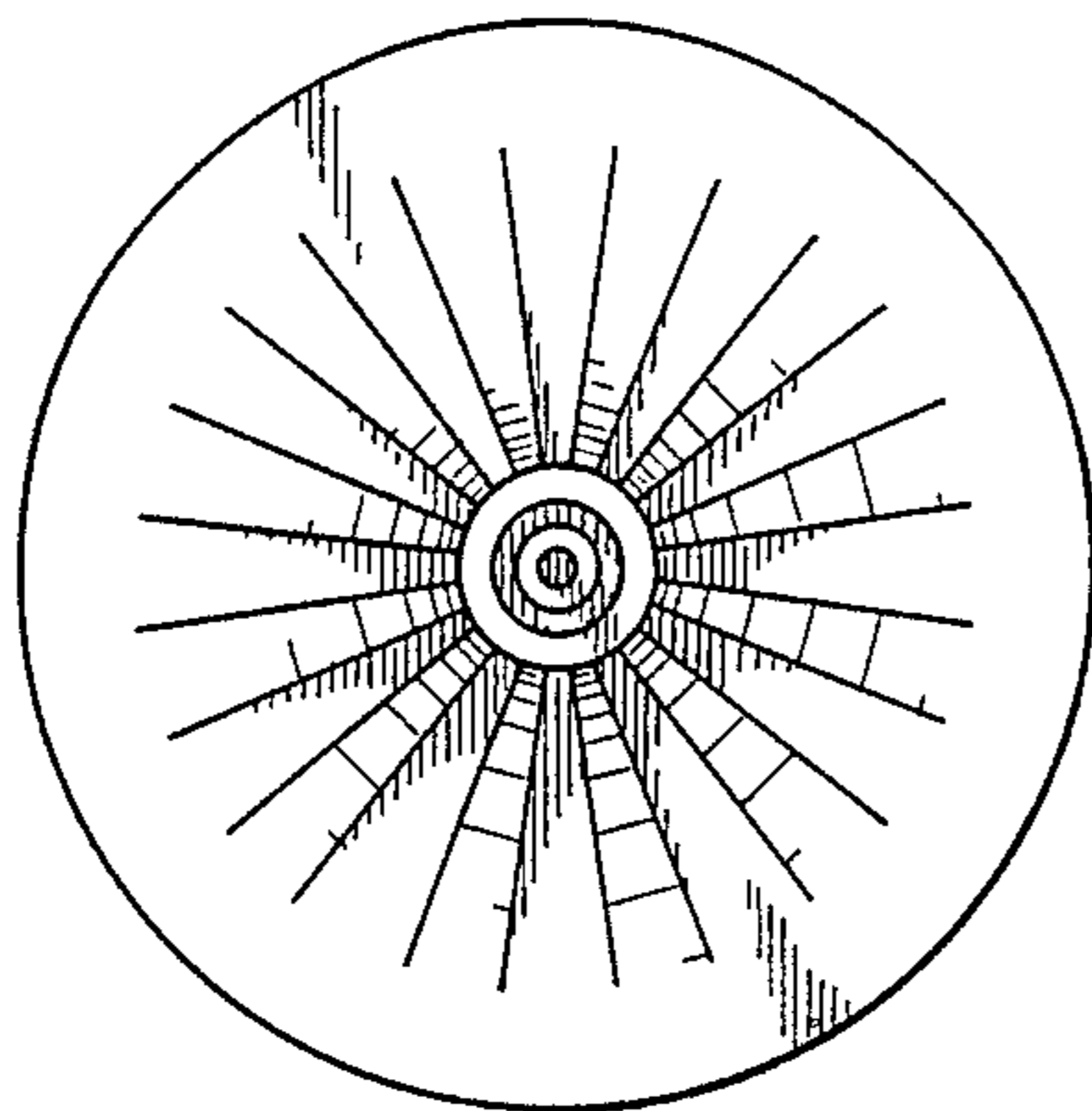


FIG.6

