

[54] INDICATOR FOR A BLOOD ANALYZER

4,483,823 11/1984 Umetsu et al. .... 422/64 X

[75] Inventors: Yawara Nagai, Hachioji; Shigeru Yoshinari, Tokyo; Masao Ushikubo, Hachioji, all of Japan

Primary Examiner—Wallace R. Burke  
Assistant Examiner—Stella M. Reid  
Attorney, Agent, or Firm—Ostrolenk, Faber, Gerb & Soffen

[73] Assignee: Olympus Optical Co., Ltd., Japan

[57] CLAIM

[\*\*] Term: 14 Years

The ornamental design for an indicator for a blood analyzer, as shown and described.

[21] Appl. No.: 868,335

DESCRIPTION

[22] Filed: May 28, 1986

[52] U.S. Cl. .... D24/1.1

[58] Field of Search ..... D24/1.1, 8; 422/63-68, 422/50; 356/39-41; 436/43, 48; D10/81

FIG. 1 is a front, top, and left side perspective view of an indicator for a blood analyzer, showing our new design;

FIG. 2 is a rear, bottom and right side perspective view thereof;

FIG. 3 is a front elevational view thereof;

FIG. 4 is a left side elevational view thereof;

FIG. 5 is a rear elevational view thereof;

FIG. 6 is a right side elevational view thereof;

FIG. 7 is a top plan view thereof, and

FIG. 8 is a bottom plan view thereof.

[56] References Cited

U.S. PATENT DOCUMENTS

- D. 233,862 12/1974 Nelson et al. .... D24/1.1
- D. 264,873 6/1982 Olson et al. .... D24/1.1
- 4,078,895 3/1978 Moran ..... 422/66

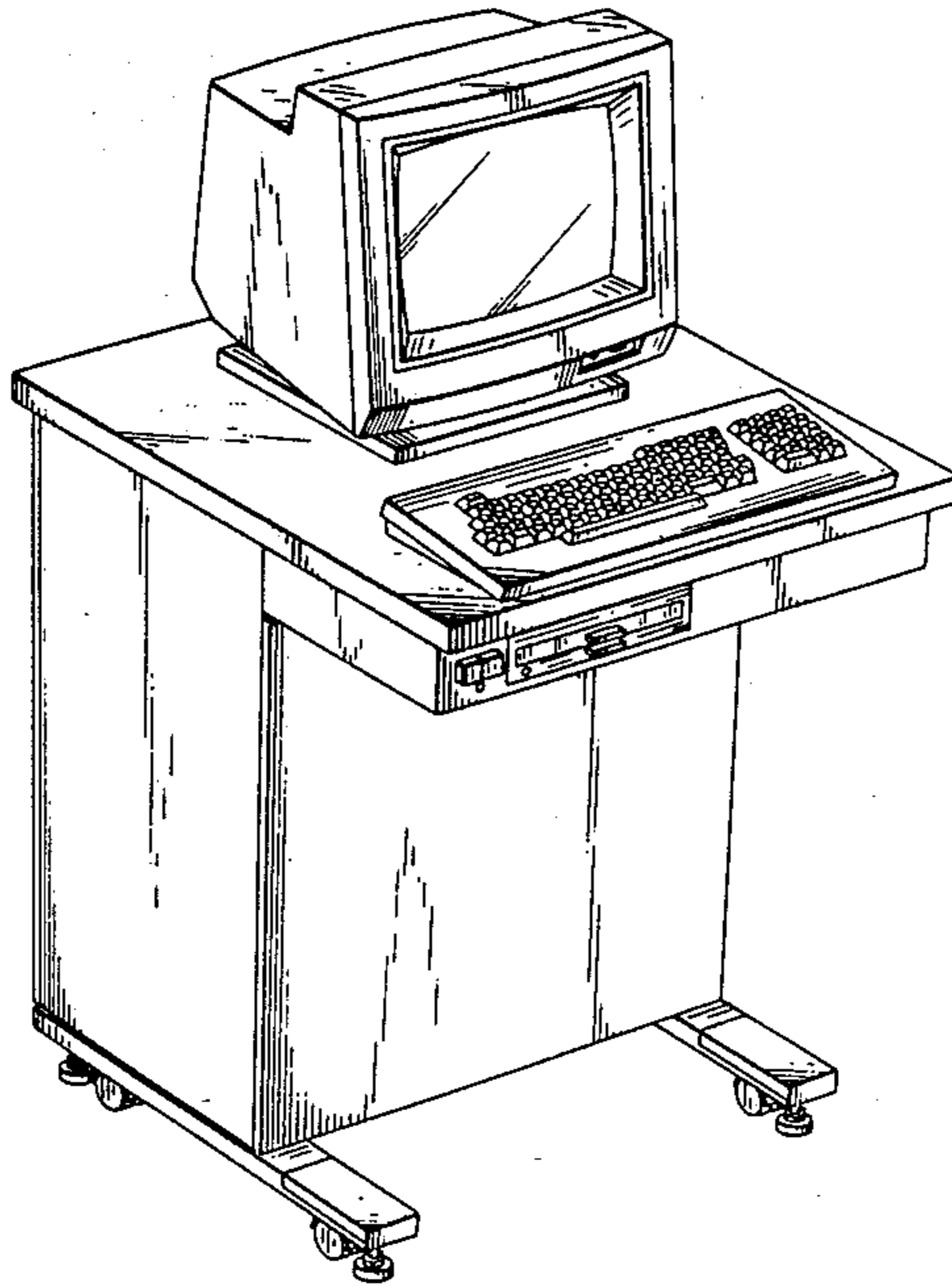


FIG. 1

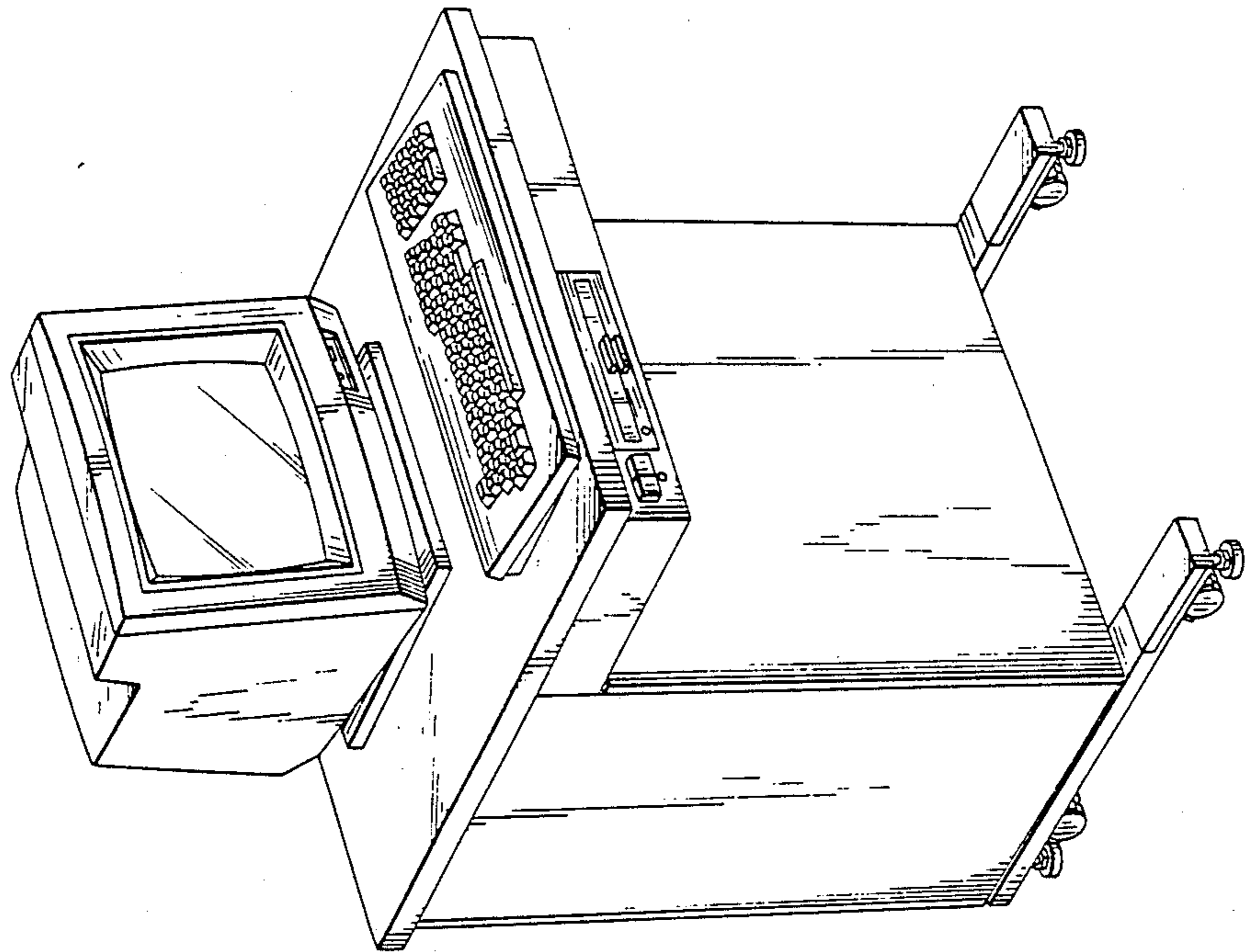


FIG. 2

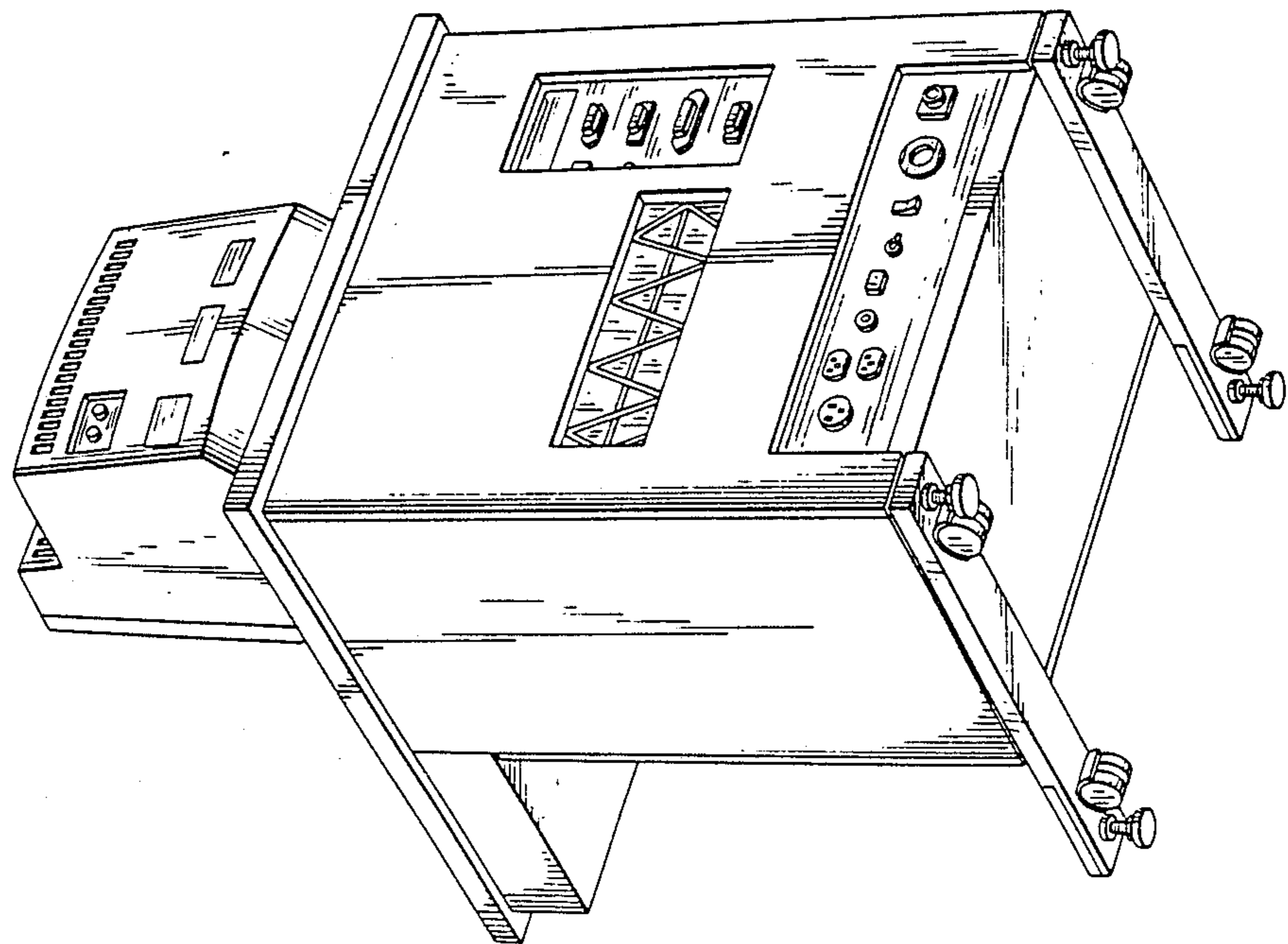


FIG. 3

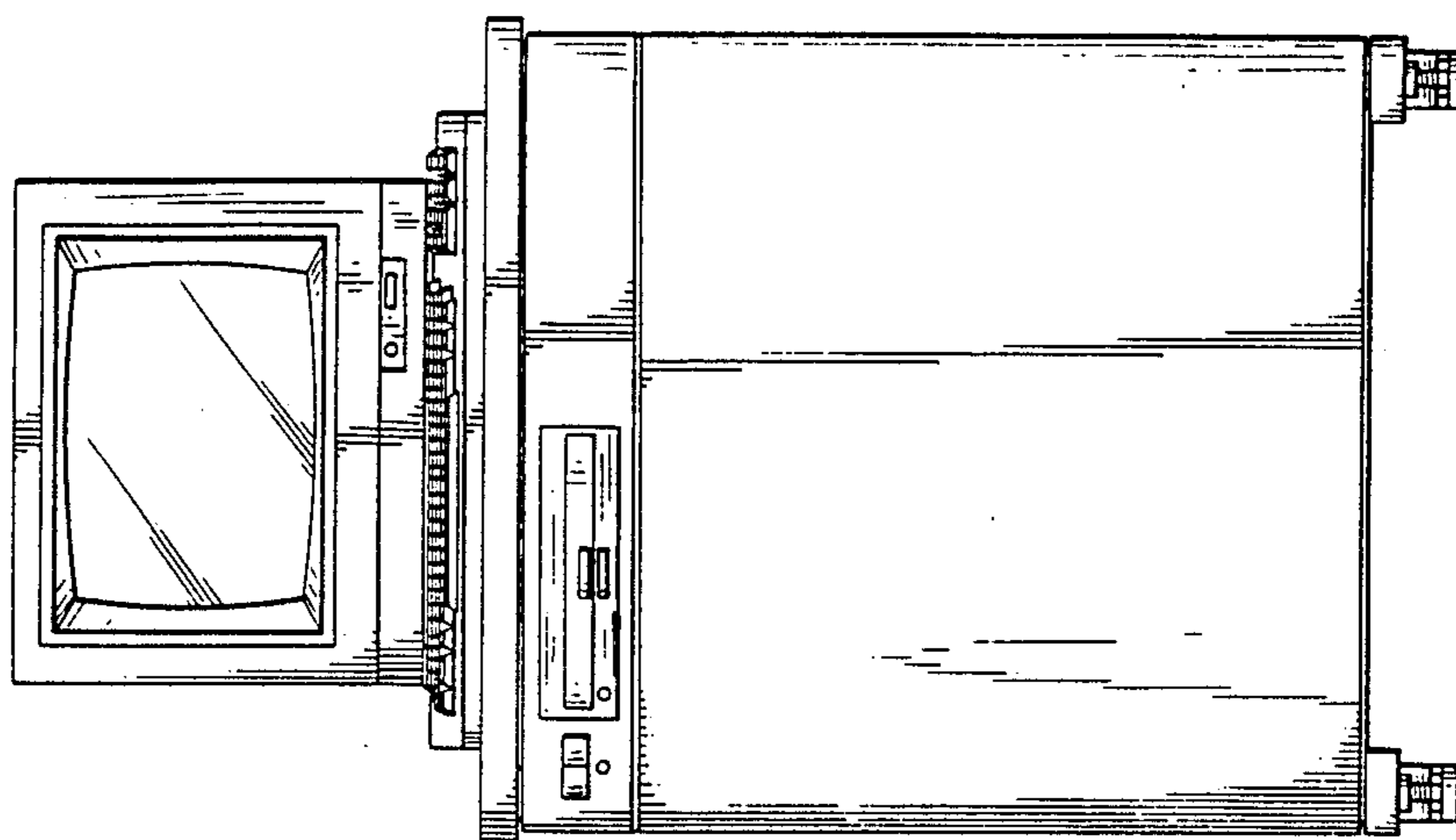


FIG. 4

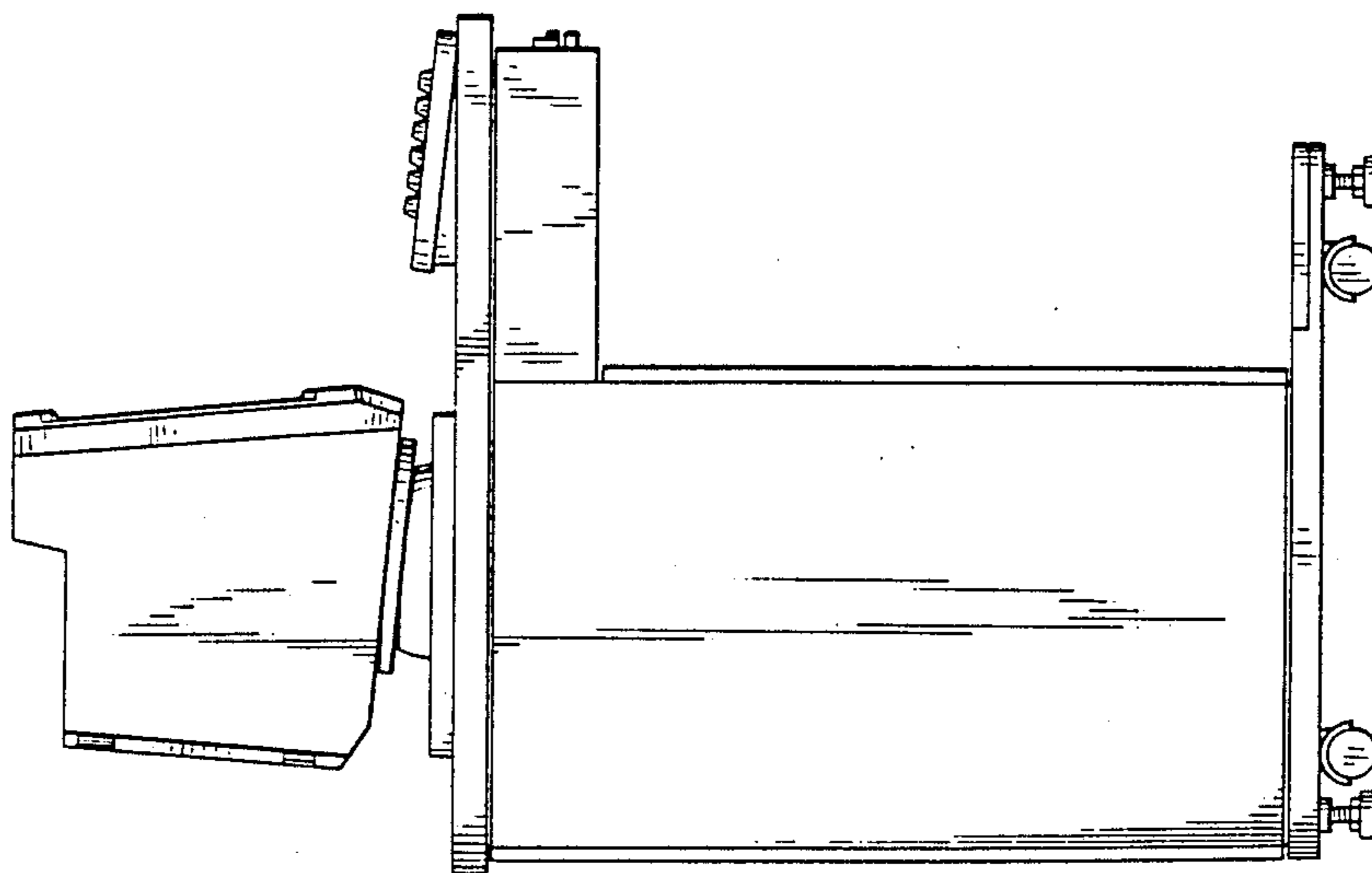


FIG. 5

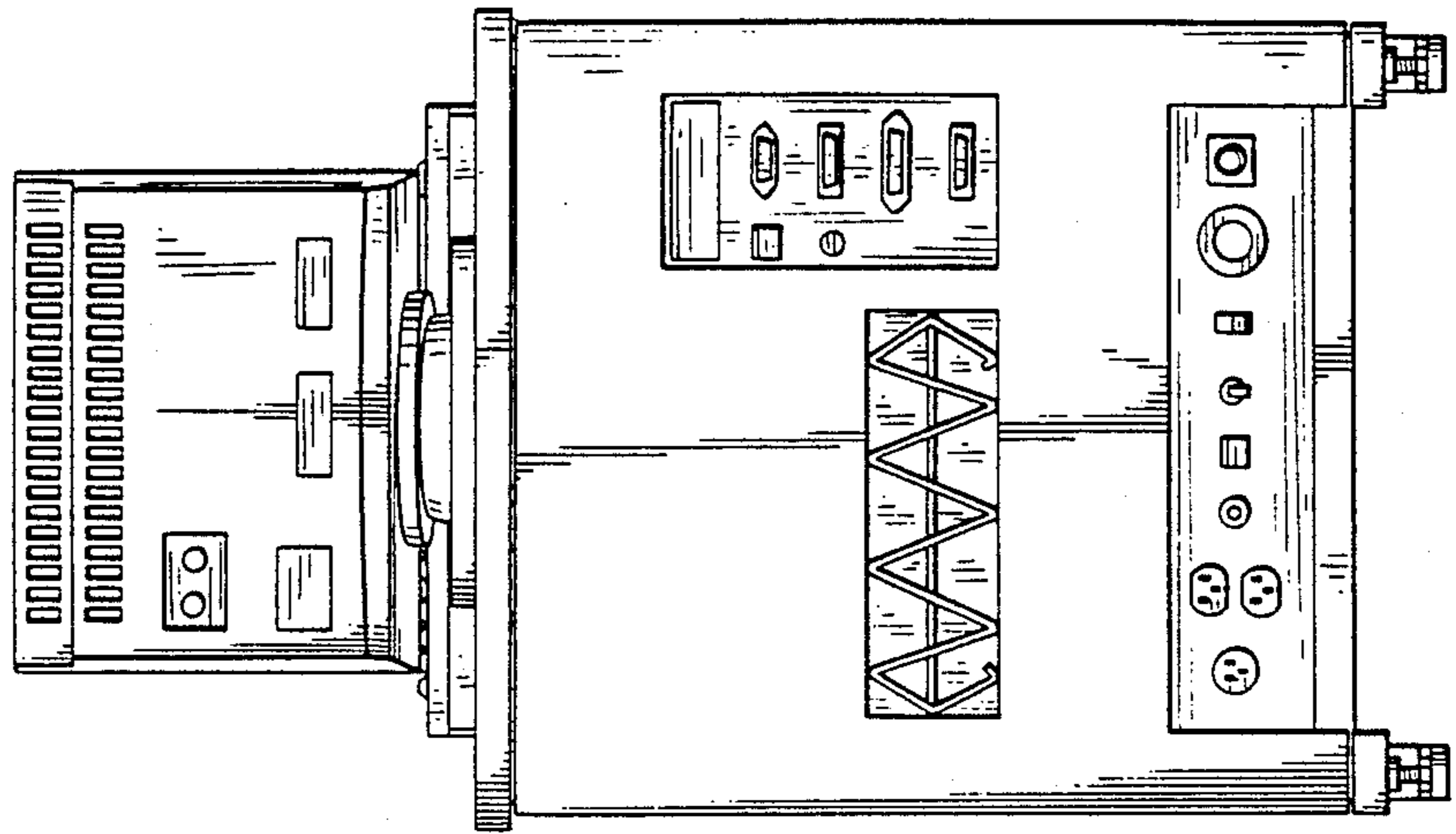


FIG. 6

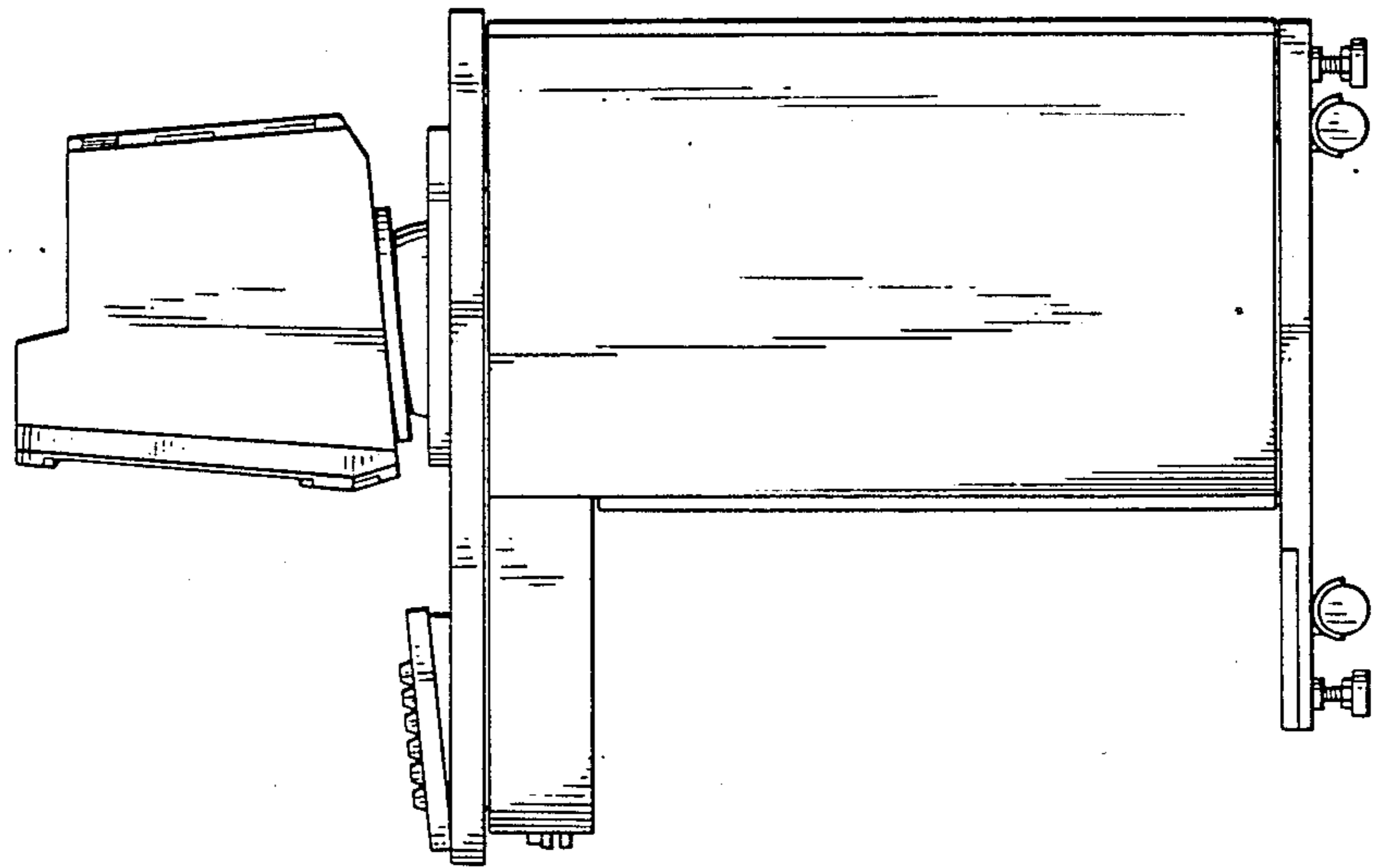


FIG. 7

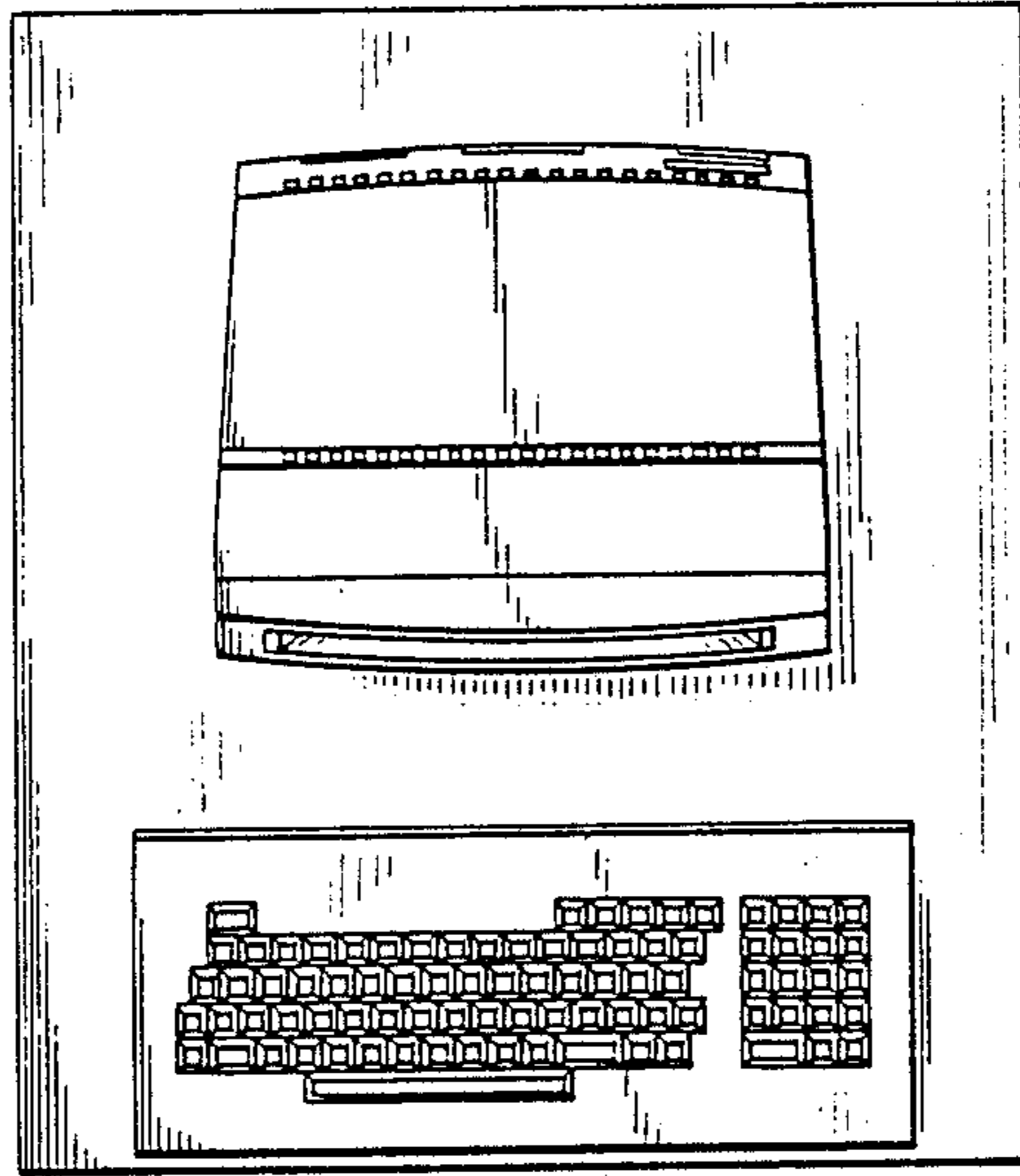


FIG. 8

