

United States Patent [19]

MacAleese

[11] Patent Number: **Des. 305,930**

[45] Date of Patent: **** Feb. 6, 1990**

[54] FIREPLACE MANTLE

[75] Inventor: **George K. MacAleese**, Huntington, Ind.

[73] Assignee: **Majco Building Specialties, L.P.**, New York, N.Y.

[**] Term: **14 Years**

[21] Appl. No.: **163,459**

[22] Filed: **Mar. 3, 1988**

[52] U.S. Cl. **D23/404**

[58] Field of Search **D23/343, 344, 350, 404, D23/345, 403; 126/500; 52/36, 211**

[56] **References Cited**

U.S. PATENT DOCUMENTS

26,853 3/1897 Fair **D23/343**

D. 108,148 1/1938 Baum **D23/404**

D. 147,366 8/1947 Grossniklaus **D23/404**

D. 300,779 4/1989 Smith **D23/404**

Primary Examiner—James M. Gandy

Assistant Examiner—Lisa Lichtenstein

Attorney, Agent, or Firm—Hoffmann & Baron

[57] **CLAIM**

The ornamental design for a fireplace mantle, as shown.

DESCRIPTION

FIG. 1 is a perspective view of a fireplace mantle showing my new design;

FIG. 2 is a front elevational view thereof;

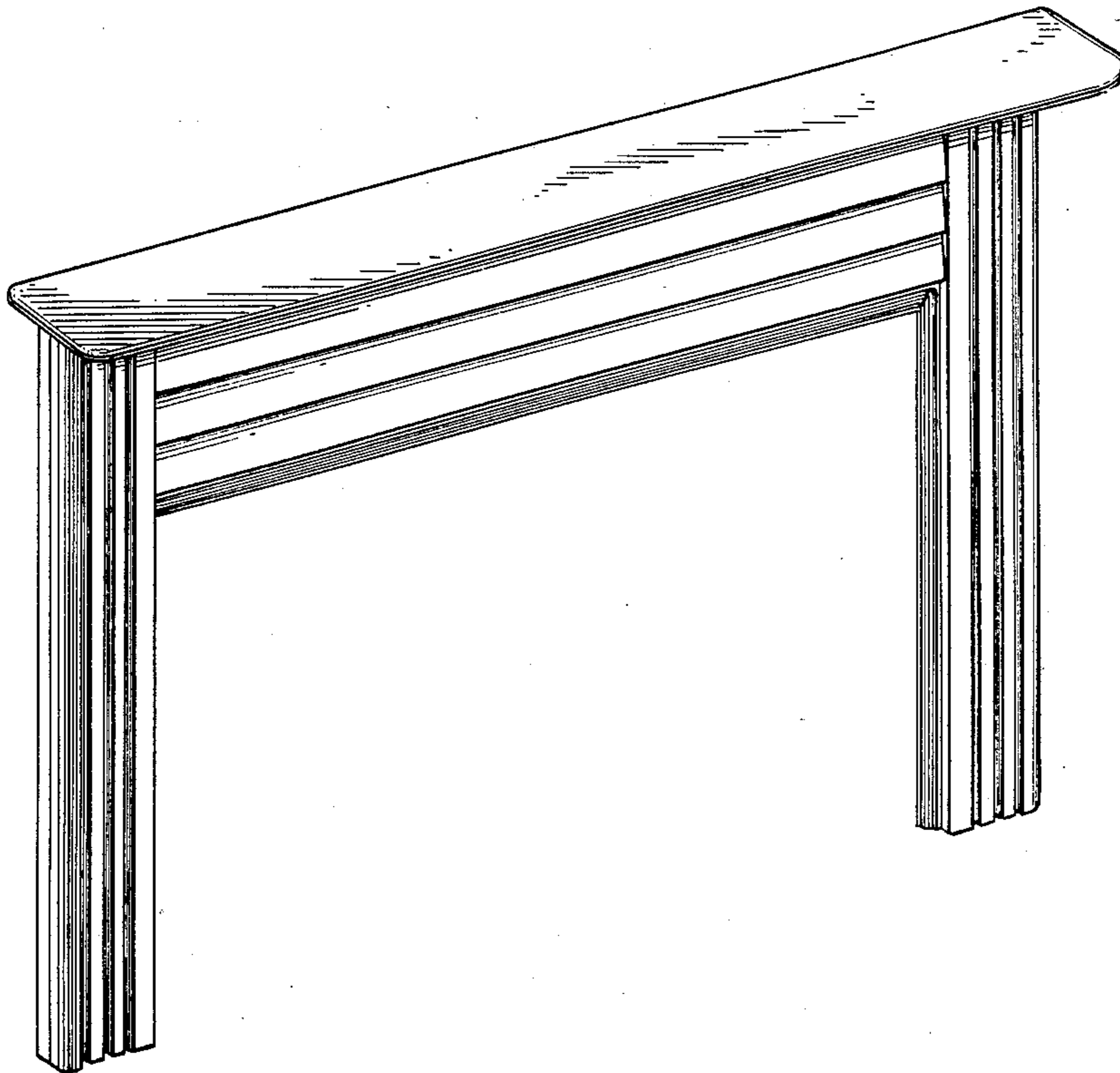
FIG. 3 is a left side elevational view thereof;

FIG. 4 is a right side elevational view thereof;

FIG. 5 is a rear elevational view thereof;

FIG. 6 is a top plan view thereof; and

FIG. 7 is a bottom plan view thereof.



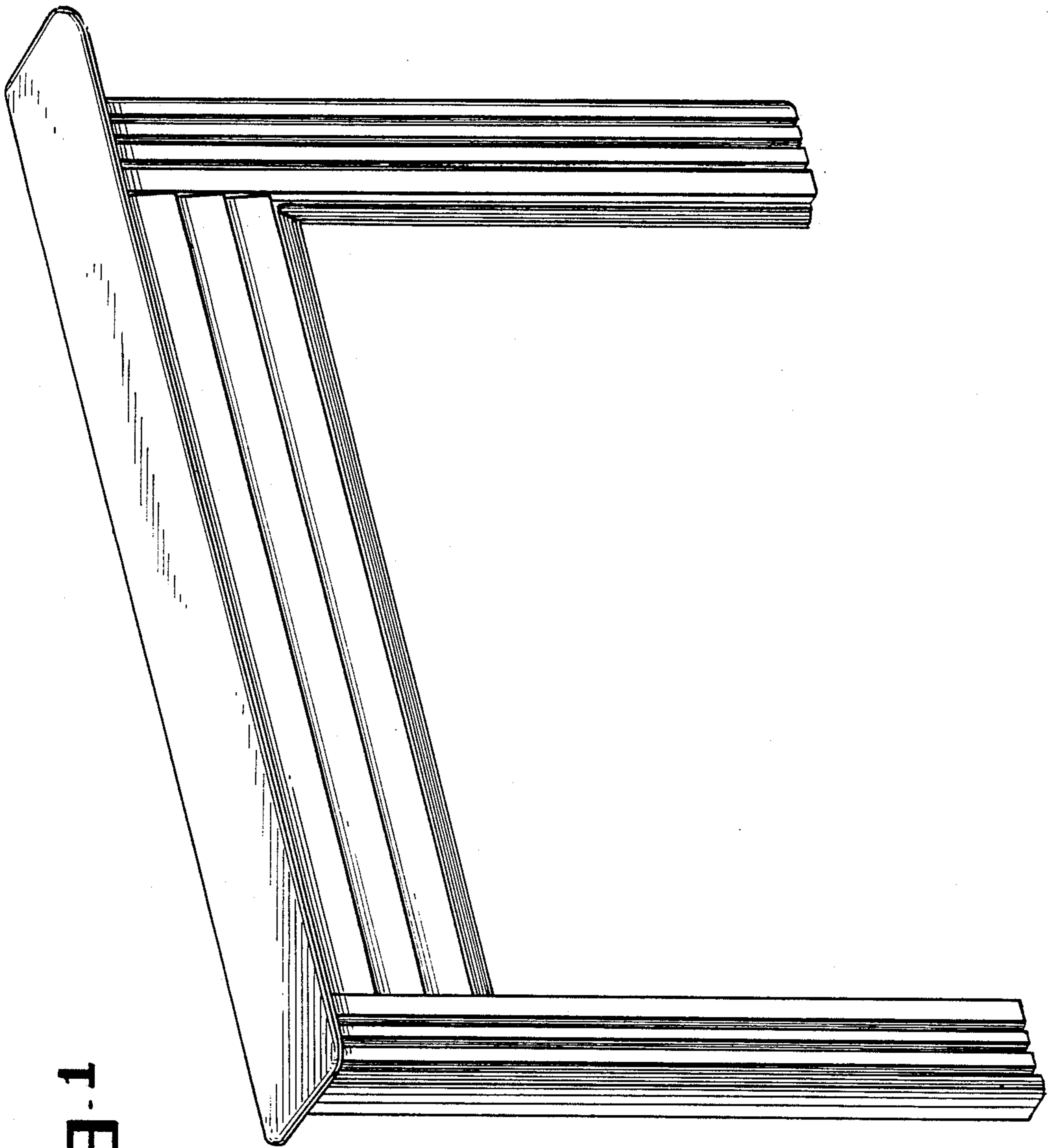


FIG. 1

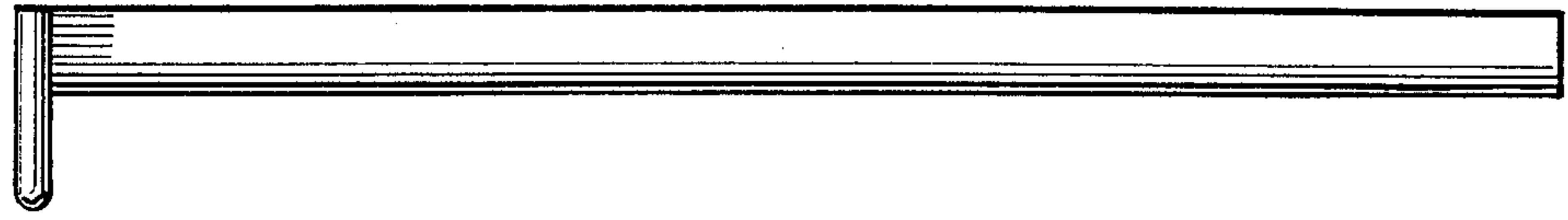


Fig. 4



Fig. 3

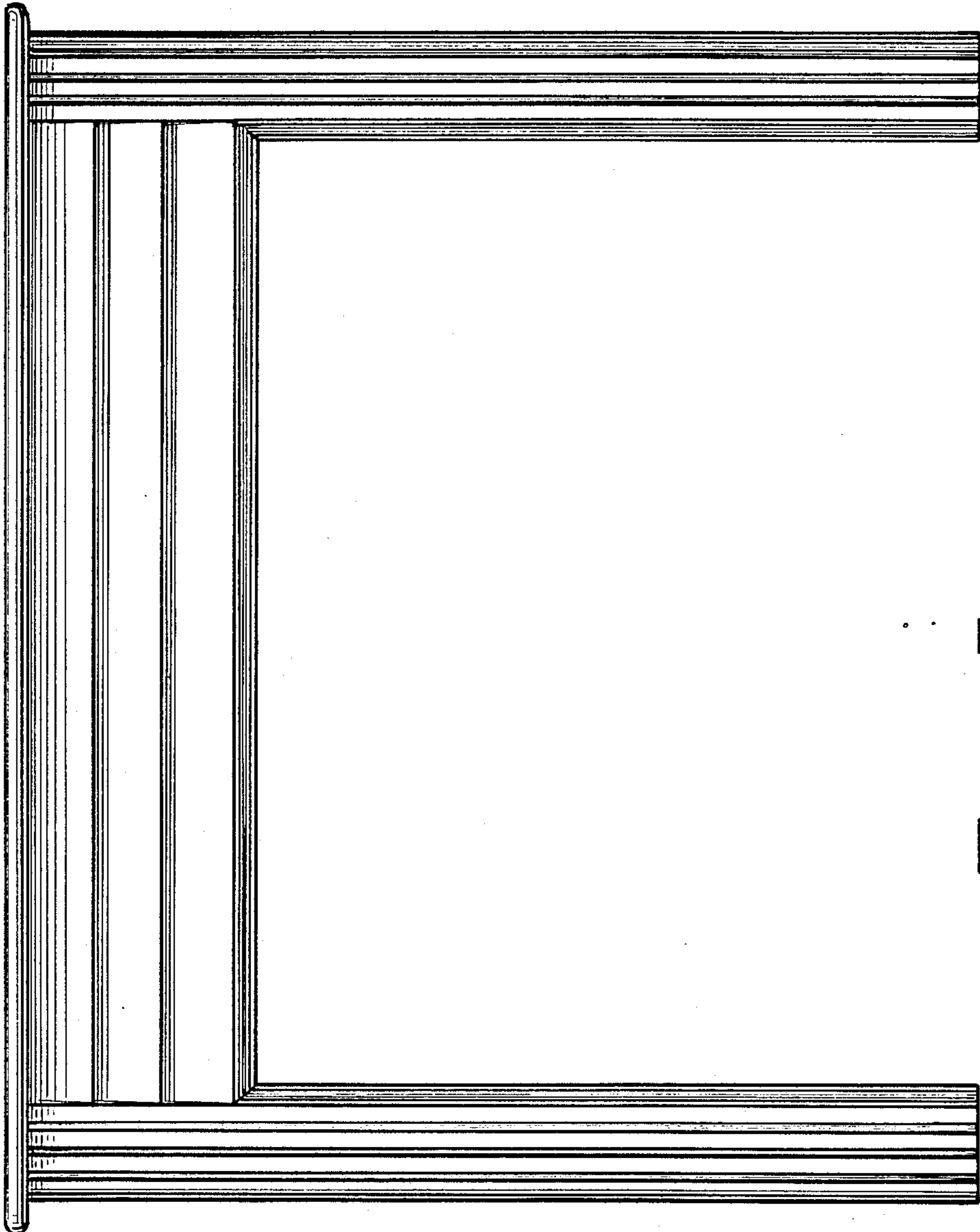


Fig. 2

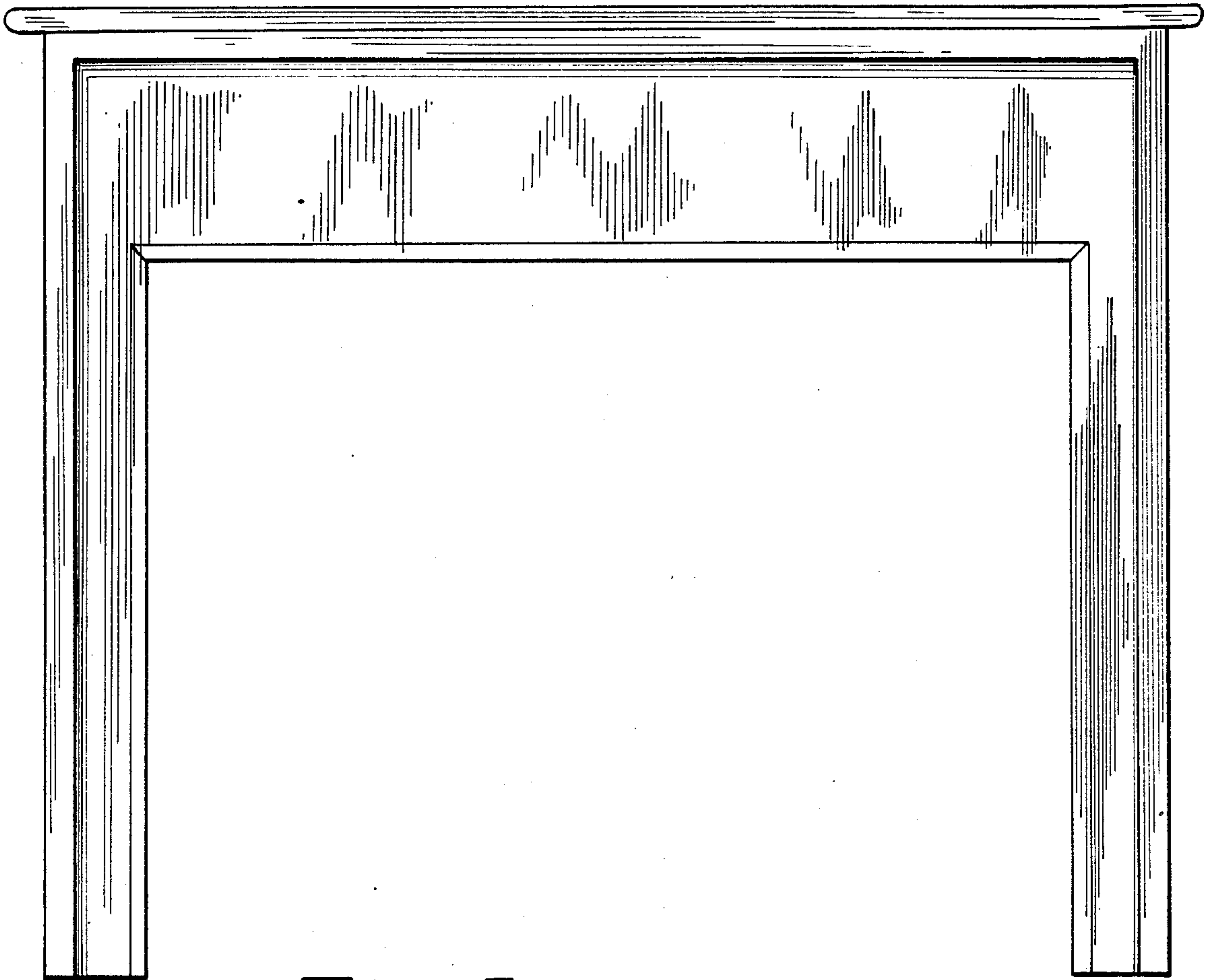


Fig. 5

Fig. 6



Fig. 7

