

[54] **GOLF CLUB HEAD**

[76] **Inventor: Anthony J. Antonious, 205 E. Joppa Rd., Towson, Md. 21204**

[\*\*] **Term: 14 Years**

[21] **Appl. No.: 893,816**

[22] **Filed: Aug. 6, 1986**

[52] **U.S. Cl. .... D21/217**

[58] **Field of Search ..... D21/217-219; 273/167-175, 163 R, 164, 77 R, 78**

[56] **References Cited**

**U.S. PATENT DOCUMENTS**

D. 259,732 6/1981 Jella ..... D21/217

**OTHER PUBLICATIONS**

Golf Digest, Jun. 1985, p. 32, lower left, putter.

Golf World, 12/3/82, p. 18, middle top, Ping Anser 4 Putter.

*Primary Examiner*—Melvin B. Feifer  
*Attorney, Agent, or Firm*—N. J. Aquilino

[57] **CLAIM**

The ornamental design for a golf club head, as shown and described.

**DESCRIPTION**

FIG. 1 is a rear perspective view of the golf club head showing my new design.

FIG. 2 is a rear elevational view thereof.

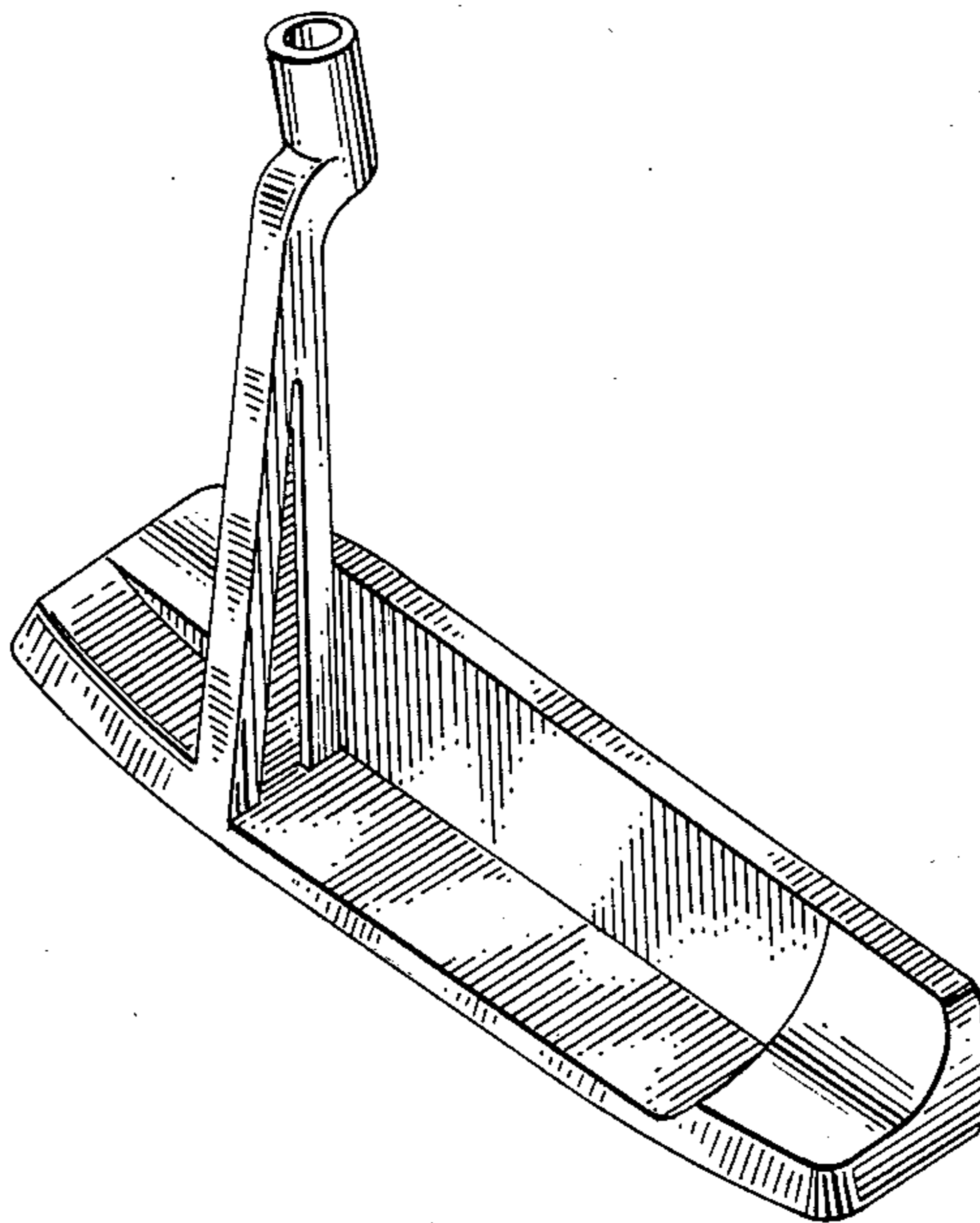
FIG. 3 is an end elevational view thereof.

FIG. 4 is a top plan view thereof.

FIG. 5 is a front elevational view thereof;

FIG. 6 is an end elevational view taken from the opposite end of.

FIG. 7 is a bottom view thereof.



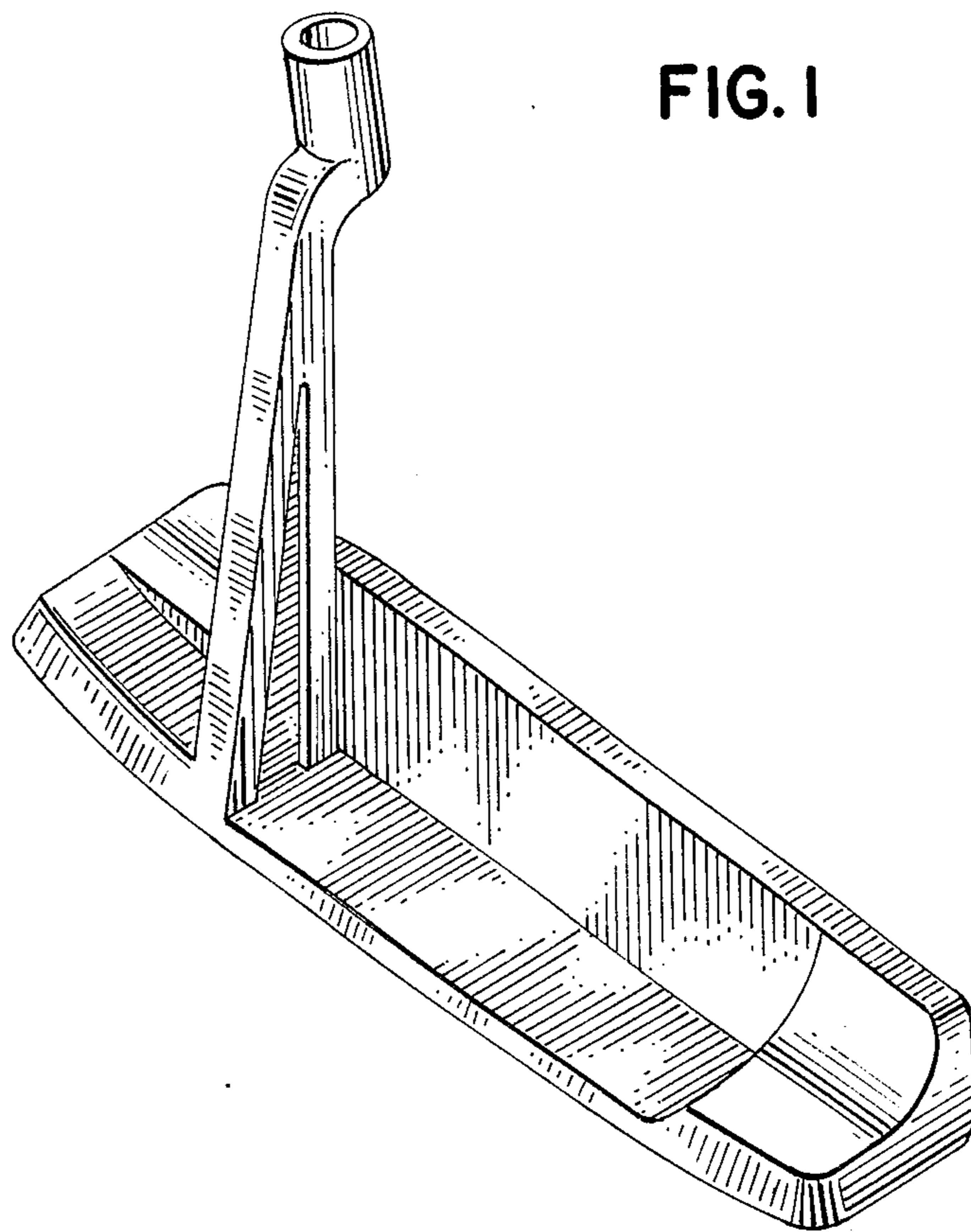


FIG. 1

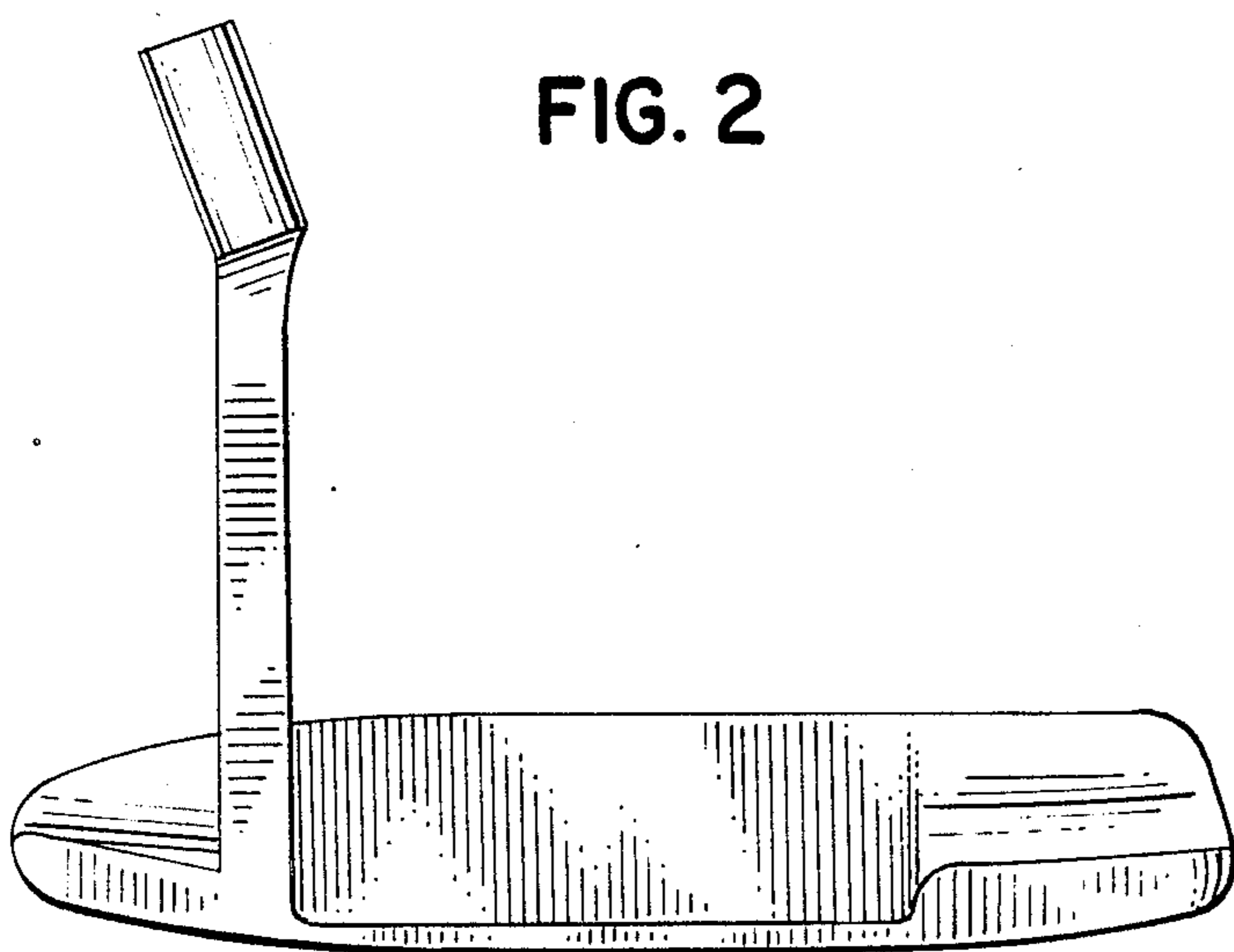


FIG. 2

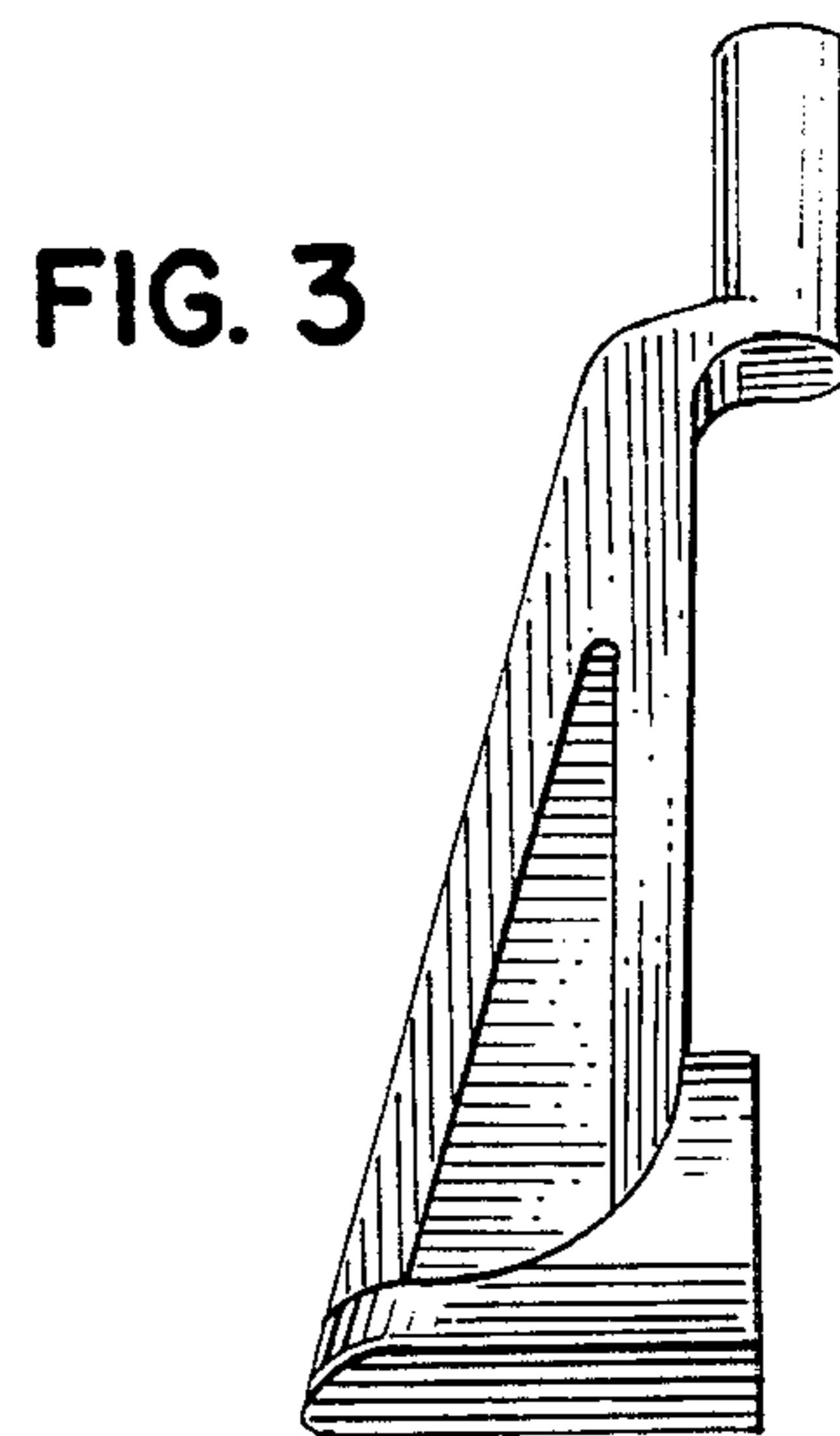


FIG. 3

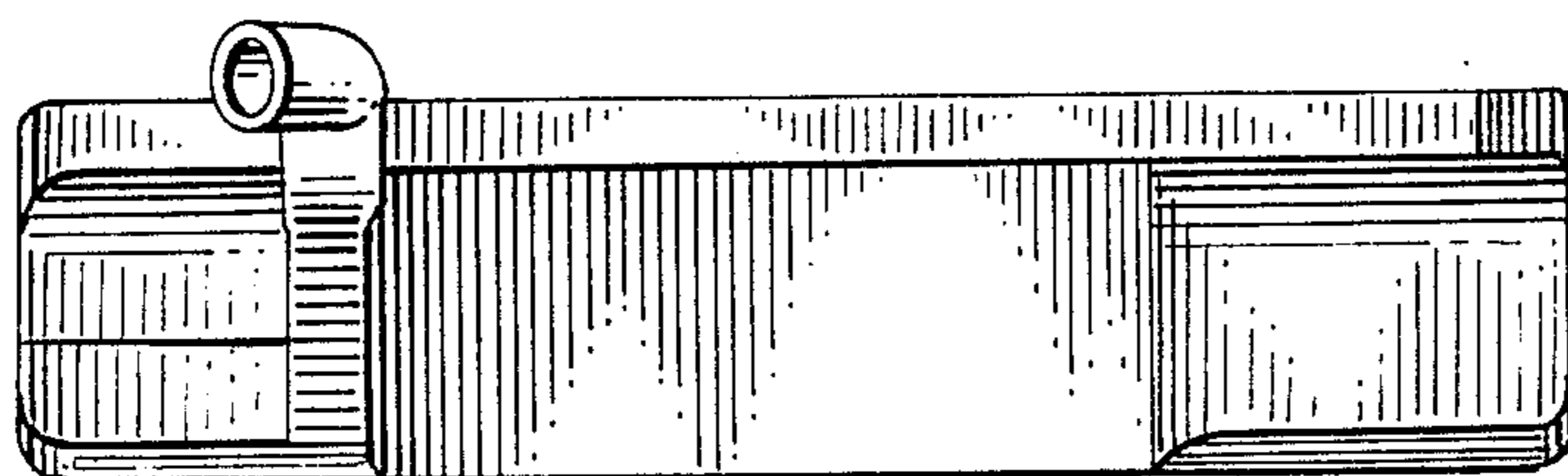


FIG. 4

FIG. 5

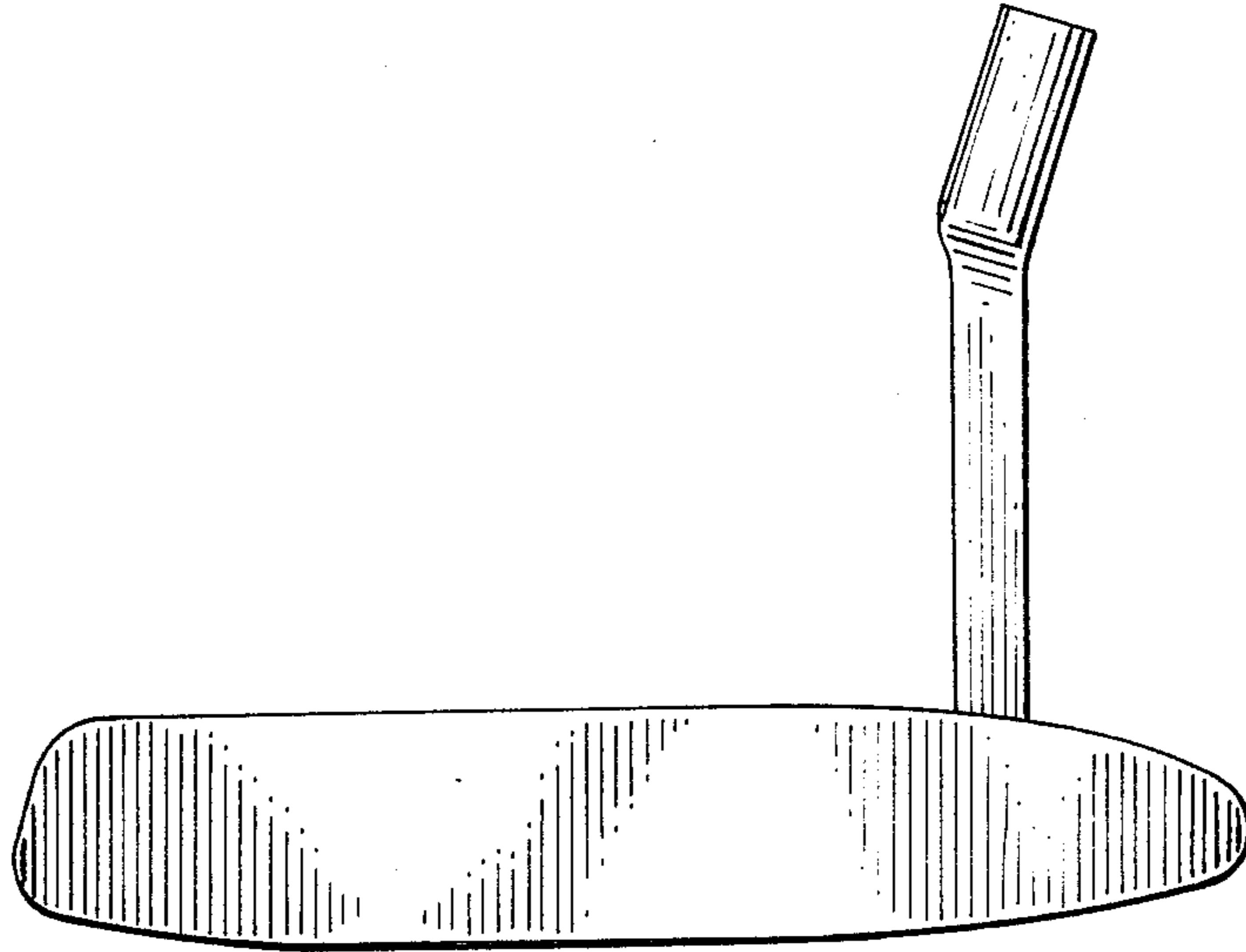


FIG. 6

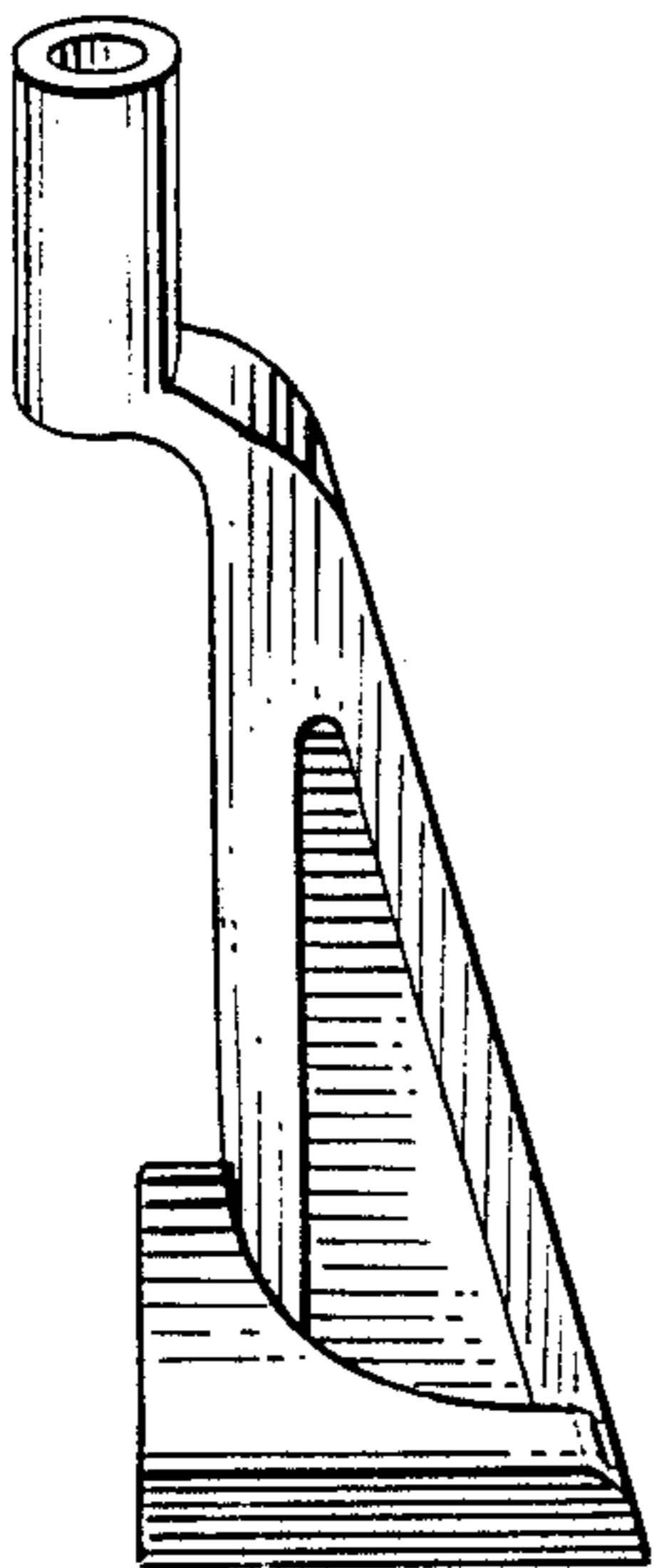


FIG. 7

