

[54] DOLL STAND

[76] Inventor: Jean Butler, 324 Whitney Ave., Trumbull, Conn. 06611

[\*\*] Term: 14 Years

[21] Appl. No.: 47,997

[22] Filed: May 11, 1987

[52] U.S. Cl. .... D21/189

[58] Field of Search ..... D6/449, 462; D21/189; D30/143; 248/176, 346; 211/13; 446/268

[56] References Cited

U.S. PATENT DOCUMENTS

D. 43,836	4/1913	Wagha .....	D6/449
D. 202,396	9/1965	Kass .....	D6/450
D. 246,409	11/1977	Ventura .....	D6/466
D. 287,386	12/1986	Kaiser et al. ....	D21/189
2,527,152	10/1950	Ransom et al. ....	446/268 X

Primary Examiner—Carmen H. Vales-Lado  
Attorney, Agent, or Firm—Jerry T. Kearns

[57] CLAIM

The ornamental design for a doll stand, as shown and described.

DESCRIPTION

FIG. 1 is a perspective view of a doll stand showing my new design;

FIG. 2 is a perspective view of a doll stand showing a doll placed thereon; the figure shown in dotted lines forms no part of the claimed design.

FIG. 3 is a bottom plan view thereof;

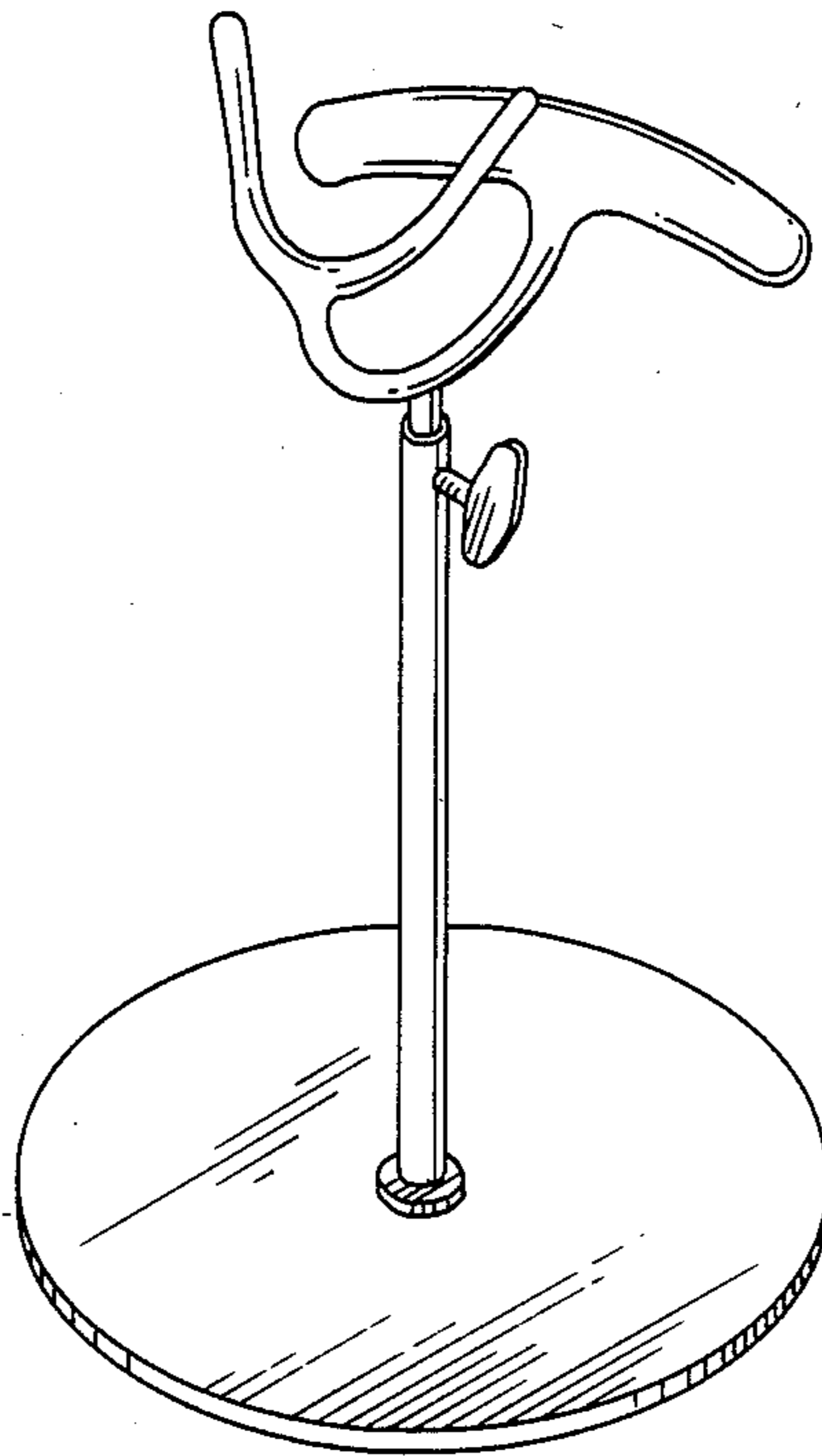
FIG. 4 is a top plan view thereof;

FIG. 5 is a left side elevational view thereof;

FIG. 6 is a right side elevational view thereof;

FIG. 7 is a front elevational view thereof; and,

FIG. 8 is a rear elevational view thereof.



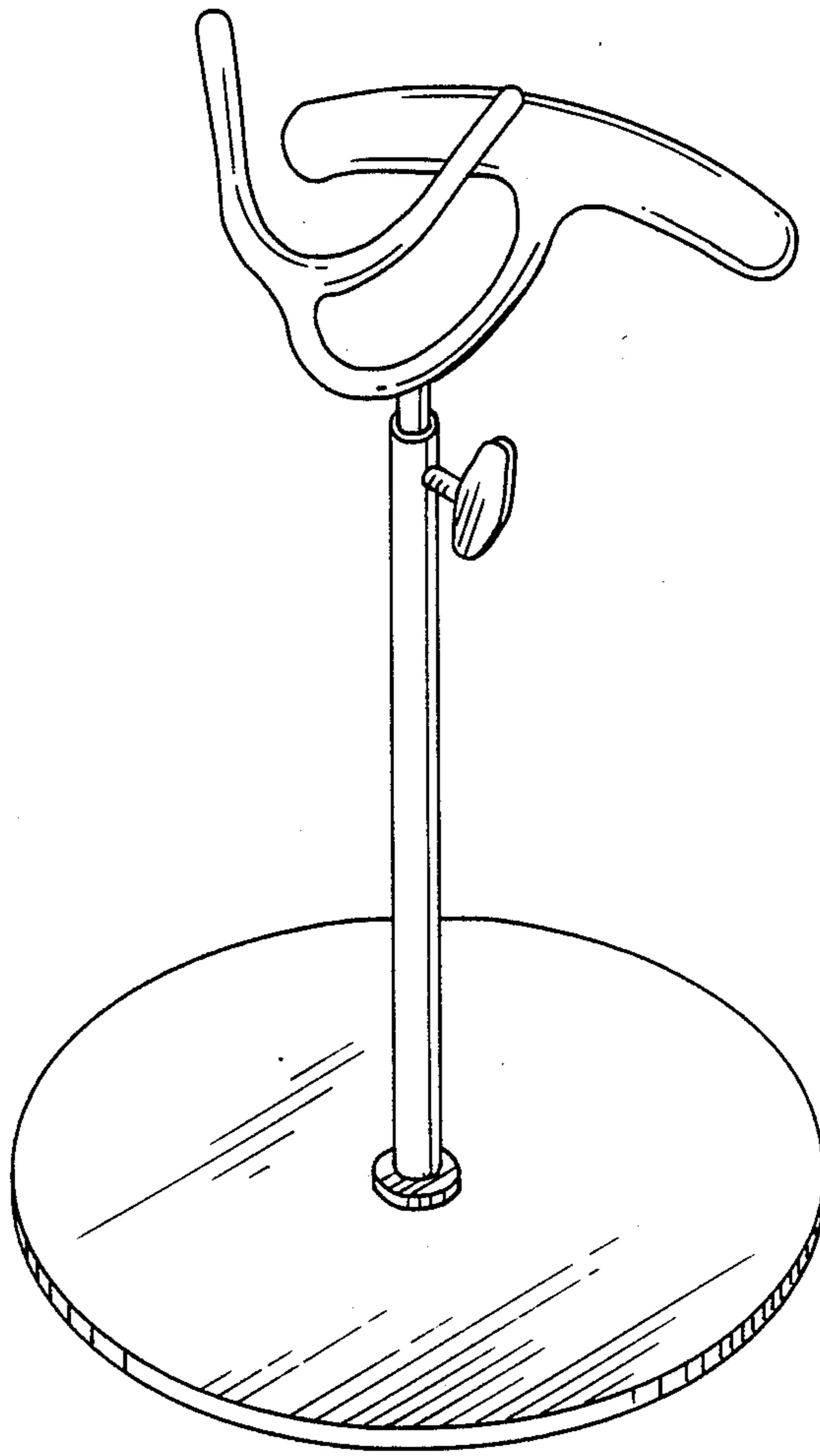


Fig. 1

Fig. 2

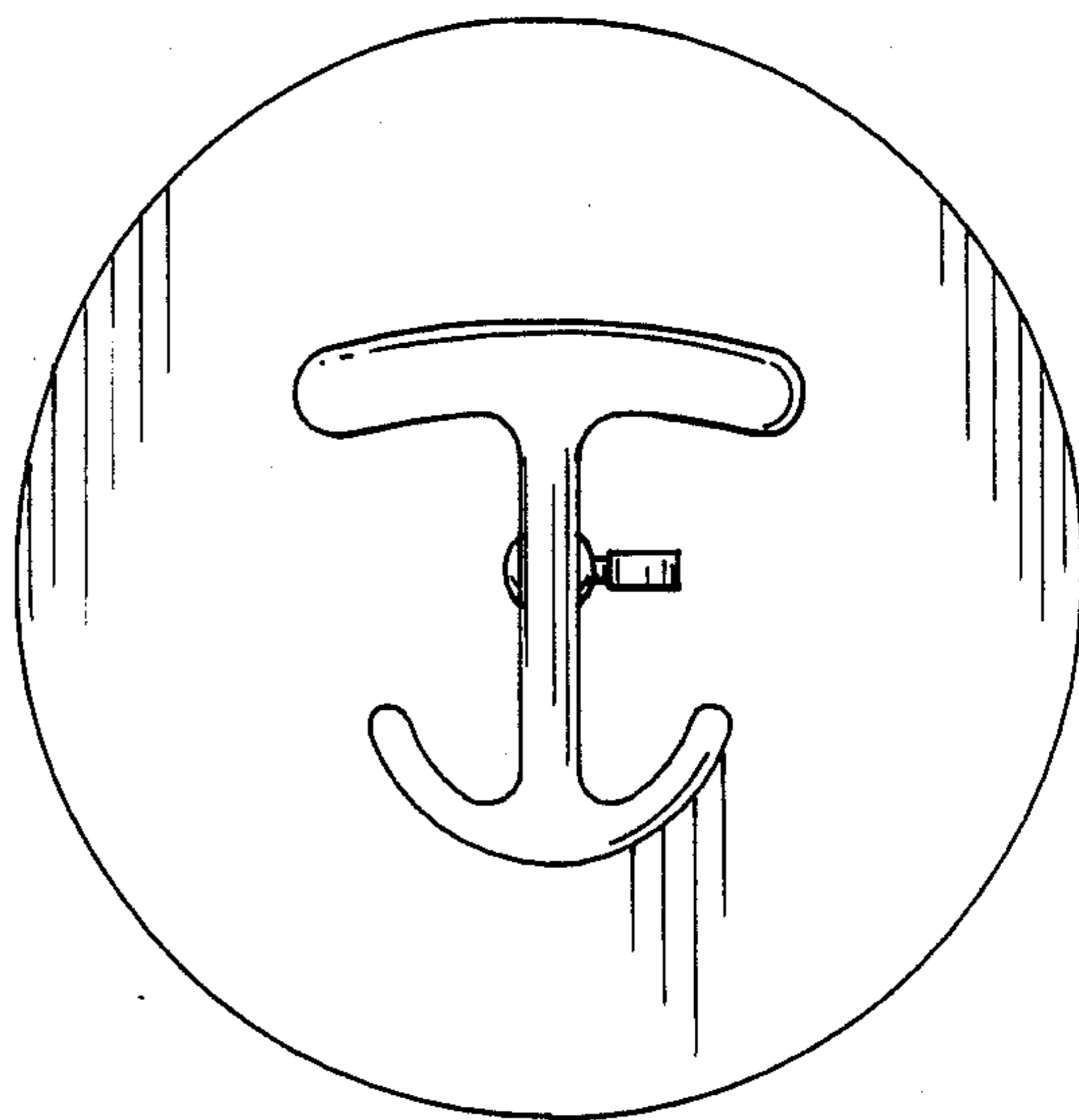
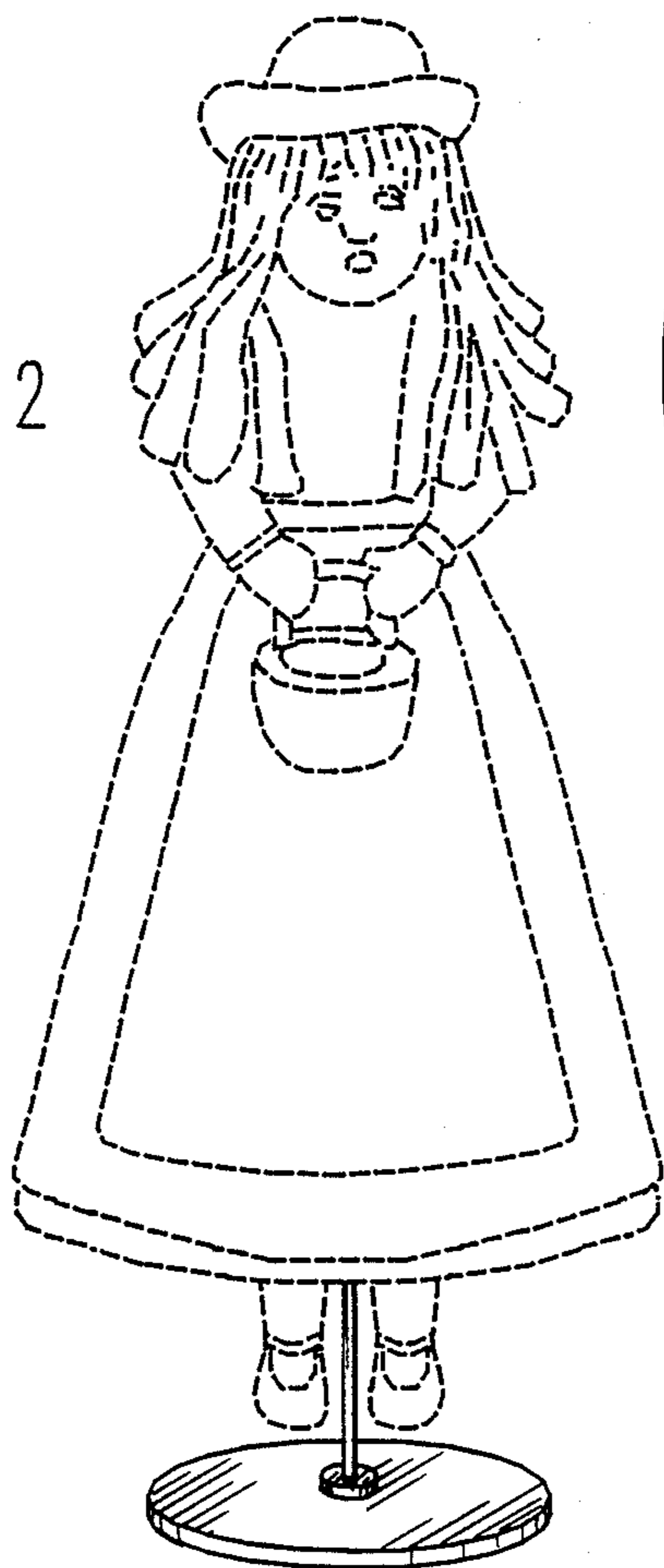


Fig. 4

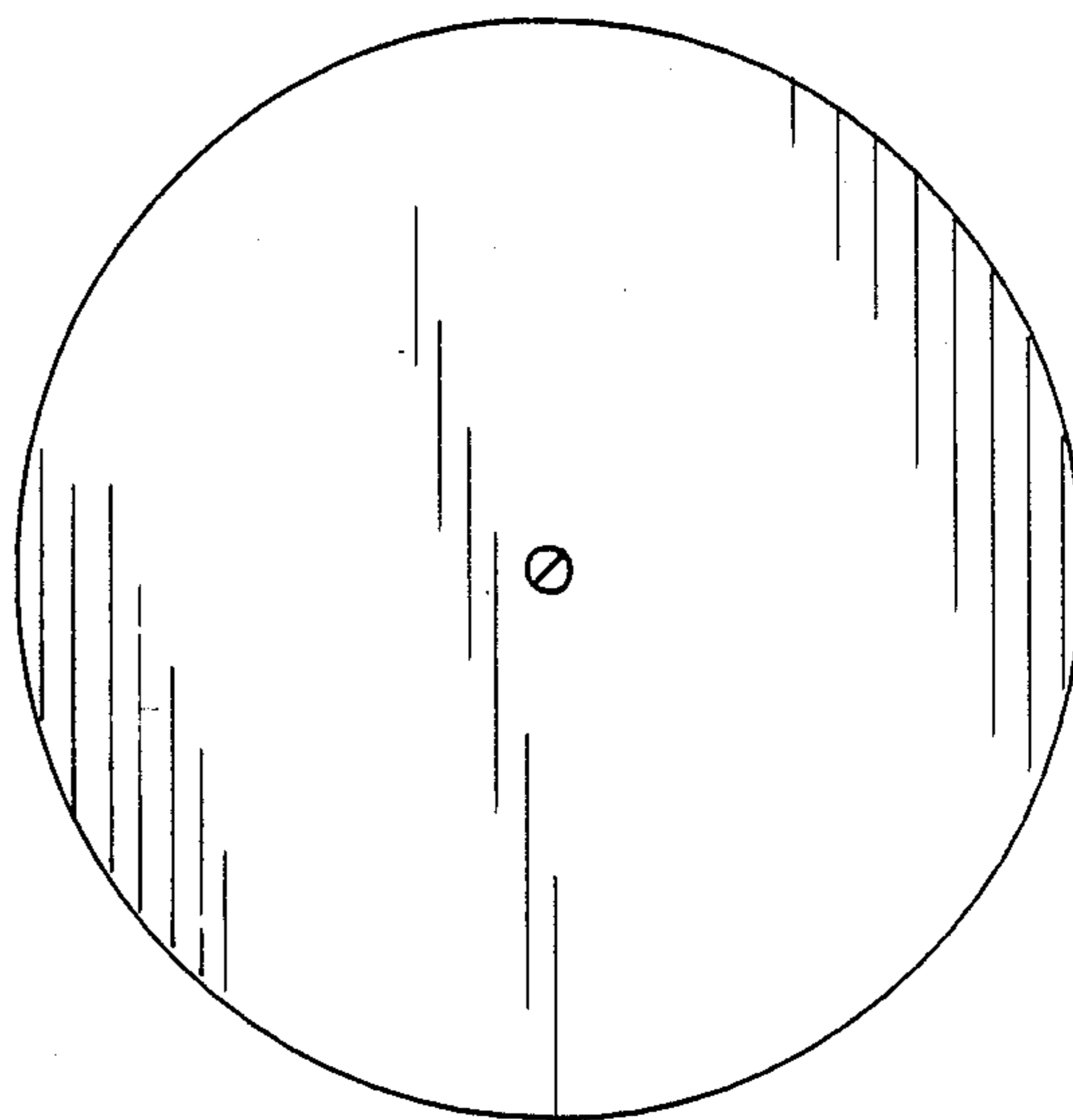


Fig. 3

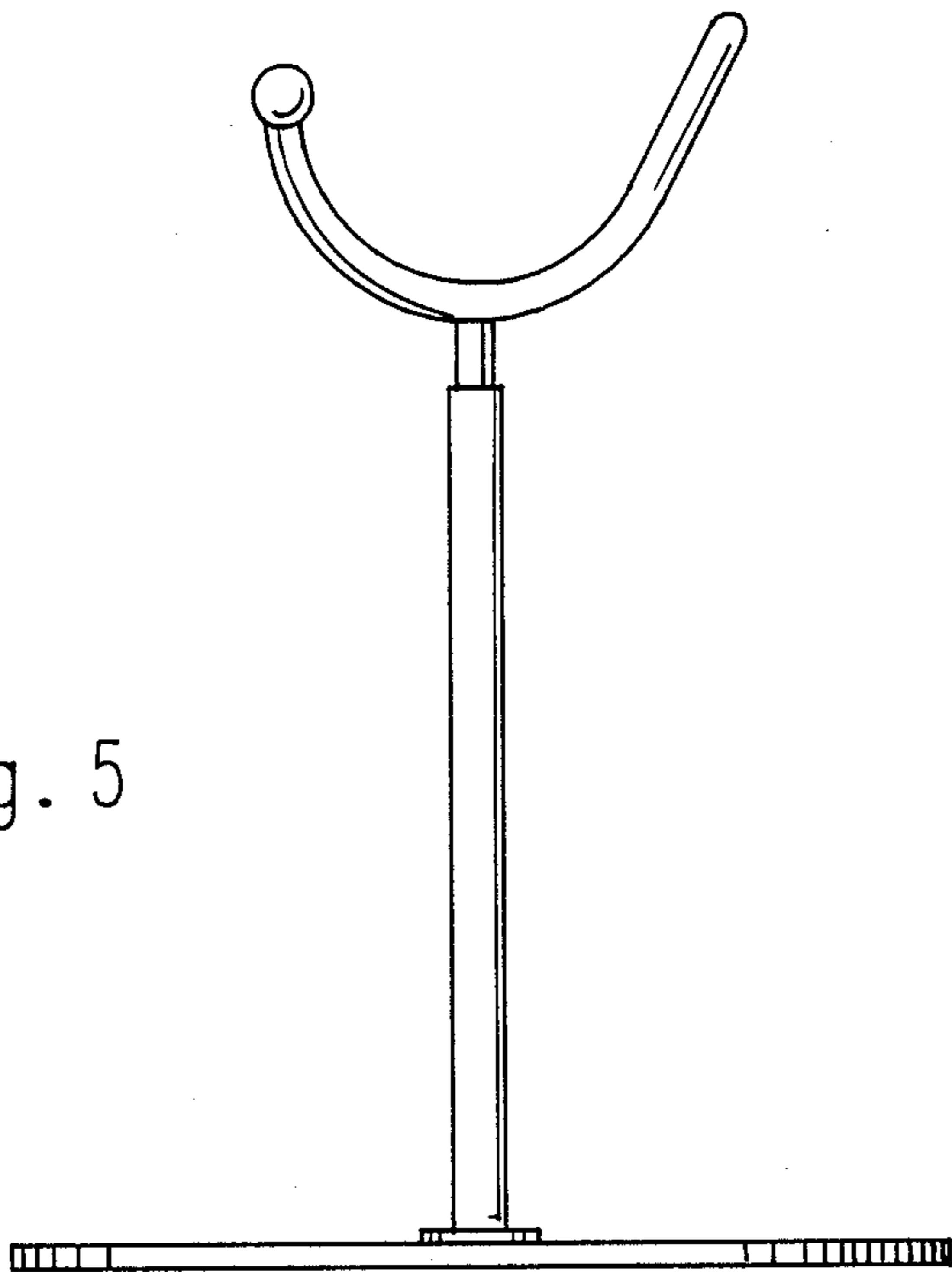


Fig. 5

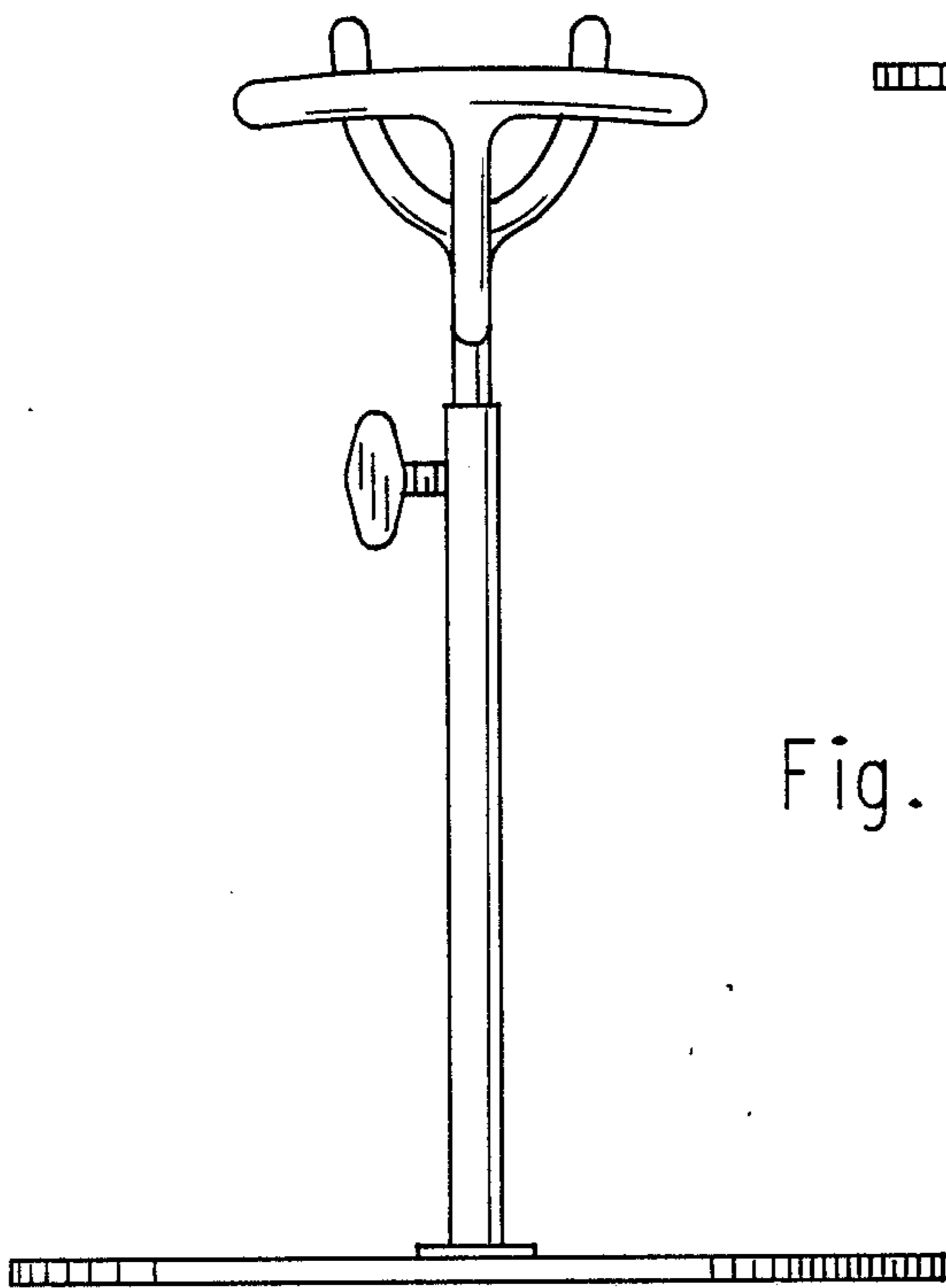


Fig. 8

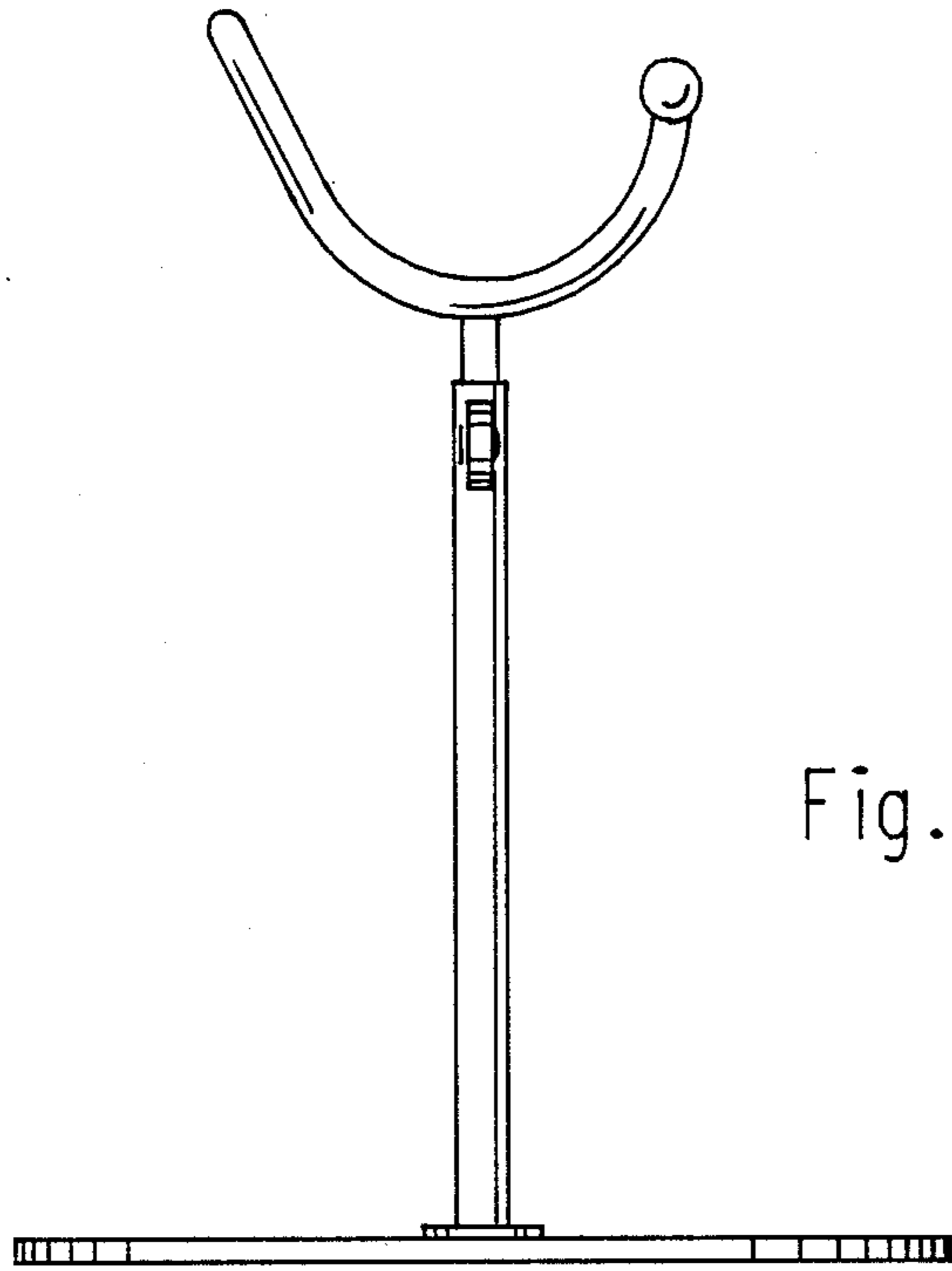


Fig. 6

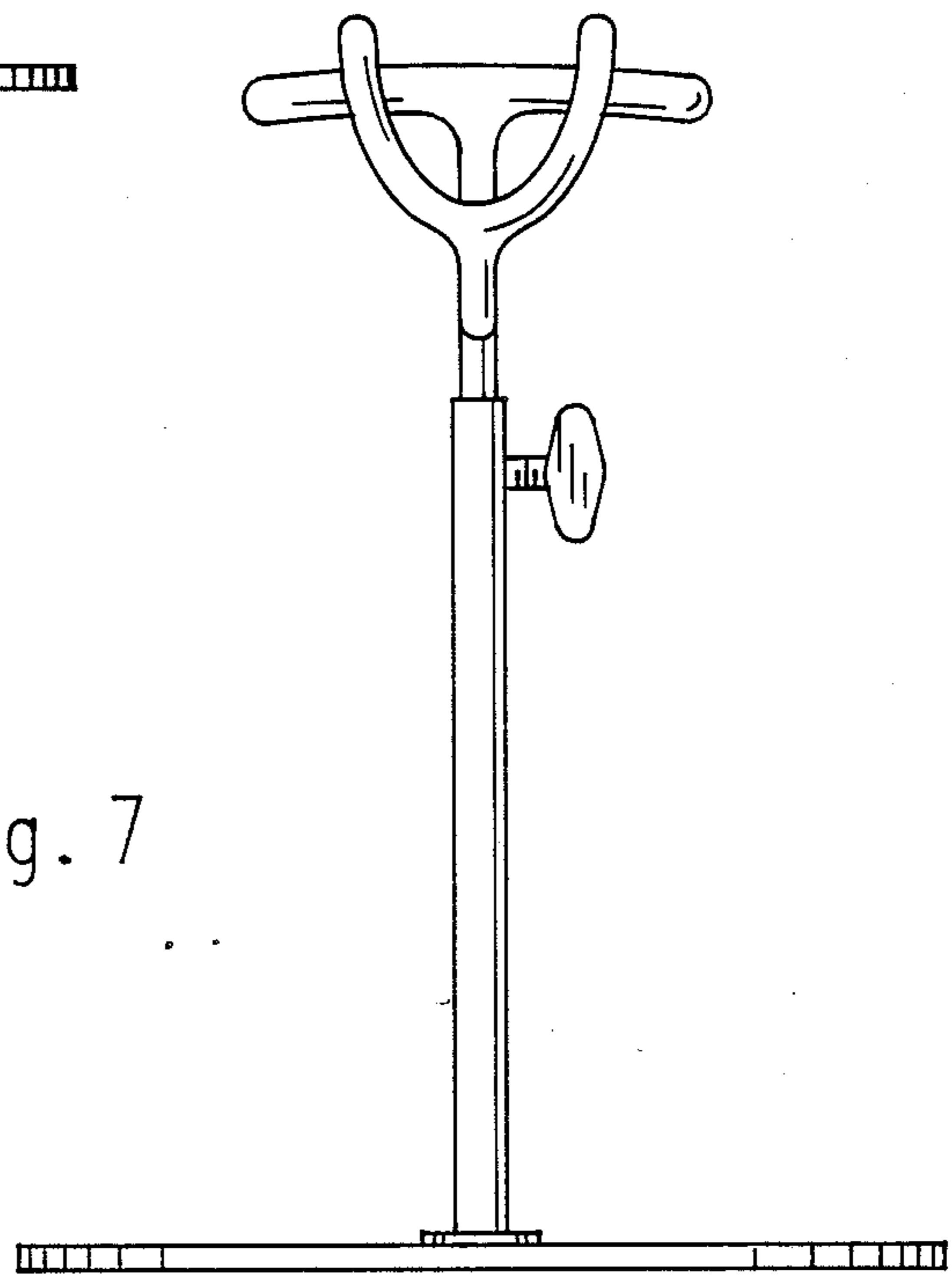


Fig. 7