

[54] RECONFIGURABLE TOY MONSTER

[75] Inventor: Daishirou Shibukawa, Matsudo, Japan

[73] Assignee: Takara Co. Ltd., Tokyo, Japan

[**] Term: 14 Years

[21] Appl. No.: 11,707

[22] Filed: Feb. 6, 1987

[30] Foreign Application Priority Data

Dec. 2, 1986 [JP] Japan 61-47695

[52] U.S. Cl. D21/148; D21/150; D21/160

[58] Field of Search D21/150, 148, 160; 273/376, 487, 97-100, 71-75

[56] References Cited

U.S. PATENT DOCUMENTS

D. 286,419 10/1986 Ohno D21/150

D. 295,652 5/1988 Kitamura D21/150

D. 298,562 11/1988 Kitamura D21/150

Primary Examiner—Melvin B. Feifer
Attorney, Agent, or Firm—Price, Gess & Ubell

[57] CLAIM

The ornamental design for a reconfigurable toy monster, as shown and described.

DESCRIPTION

FIG. 1 is a front perspective view of a reconfigurable toy monster showing my new design;

FIG. 2 is a front elevational view thereof;

FIG. 3 is a right side elevational view thereof, the side opposite being a mirror image;

FIG. 4 is a rear elevational view thereof;

FIG. 5 is a top plan view thereof;

FIG. 6 is a bottom plan view thereof;

FIG. 7 is another front perspective view of the design shown in FIGS. 1 through 6 in a humanoid robot configuration;

FIG. 8 is a front elevational view thereof;

FIG. 9 is a right side elevational view thereof, the side opposite being a mirror image;

FIG. 10 is a rear elevational view thereof;

FIG. 11 is a top plan view thereof; and

FIG. 12 is a bottom plan view thereof.

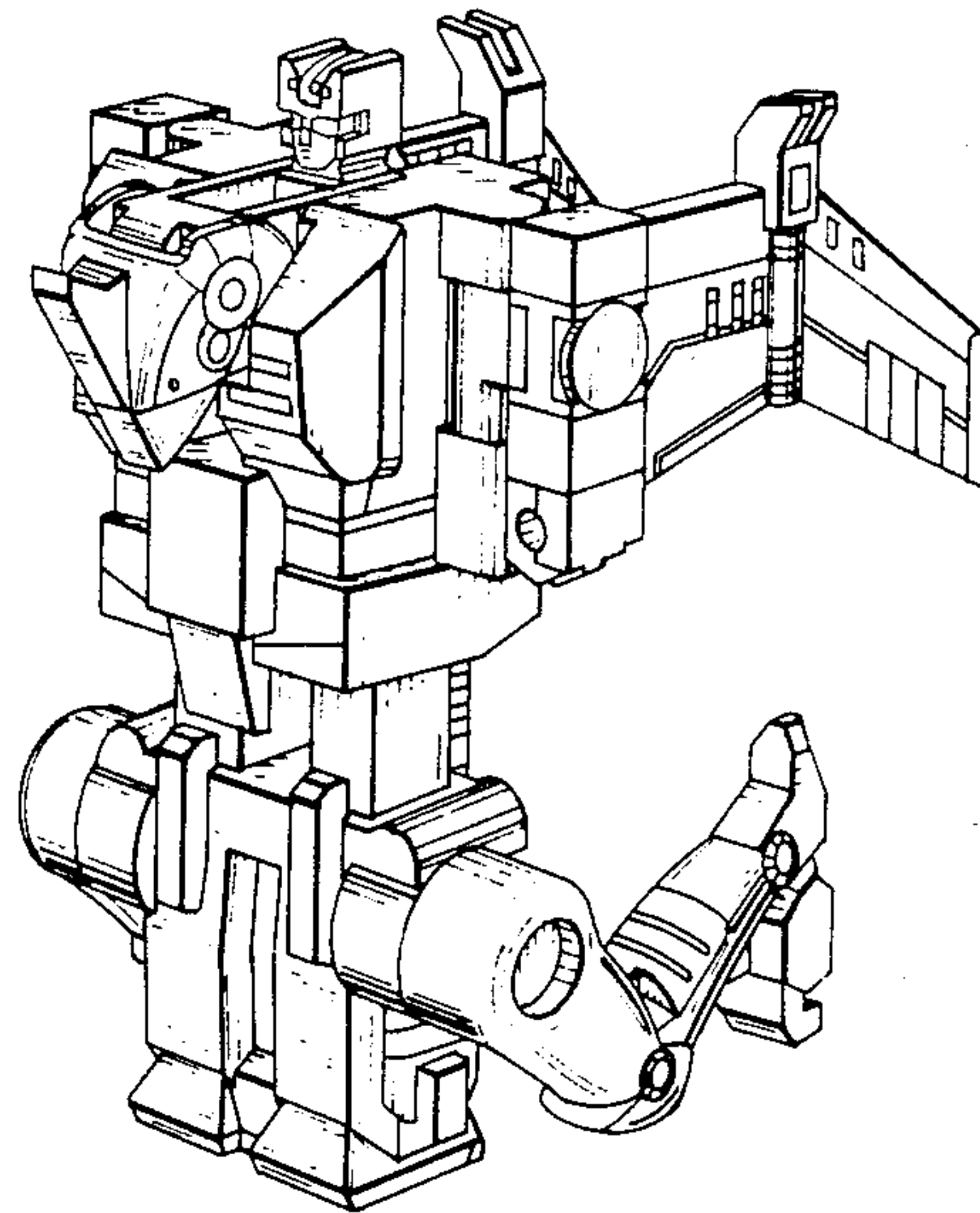
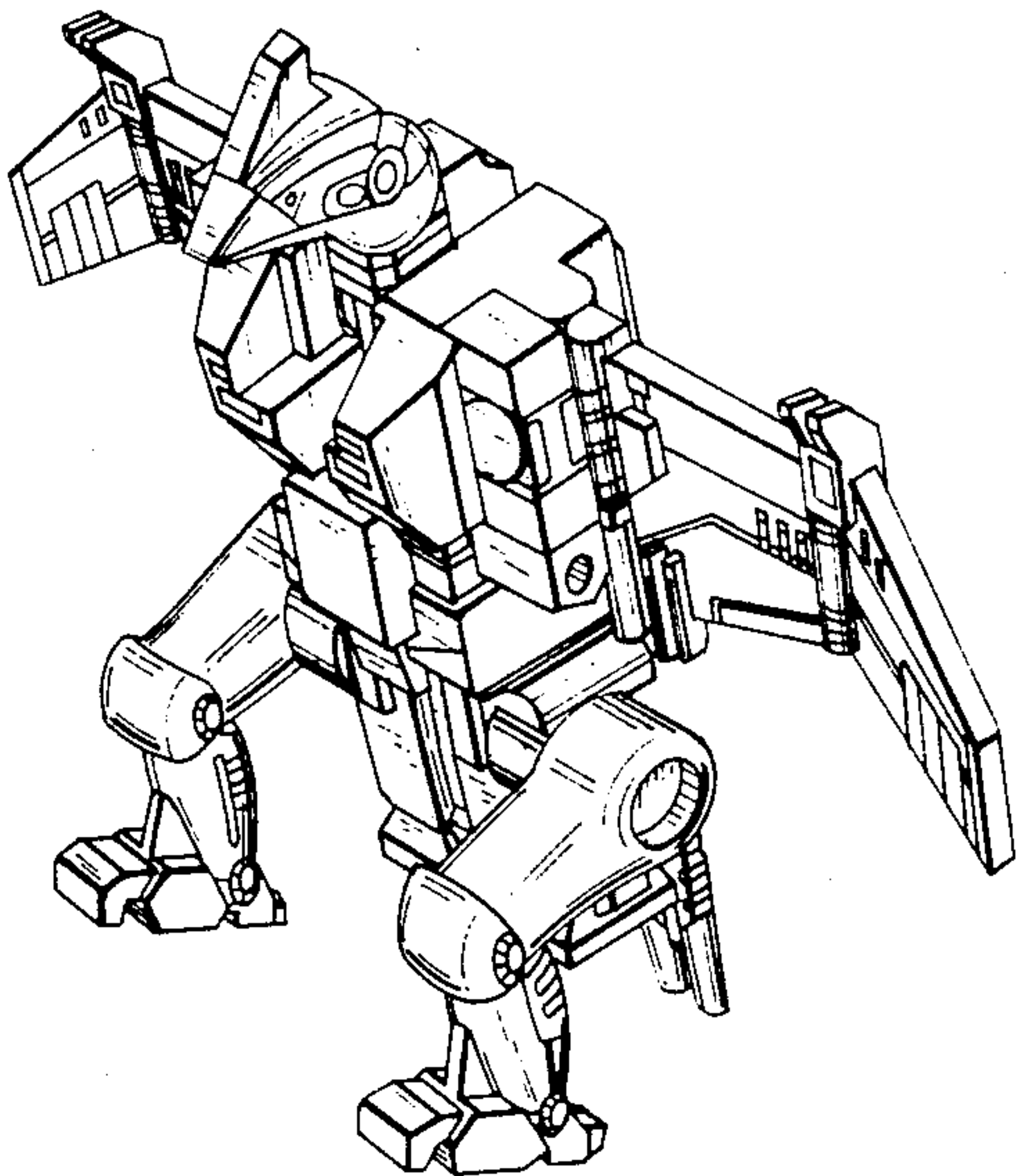


FIG. 2

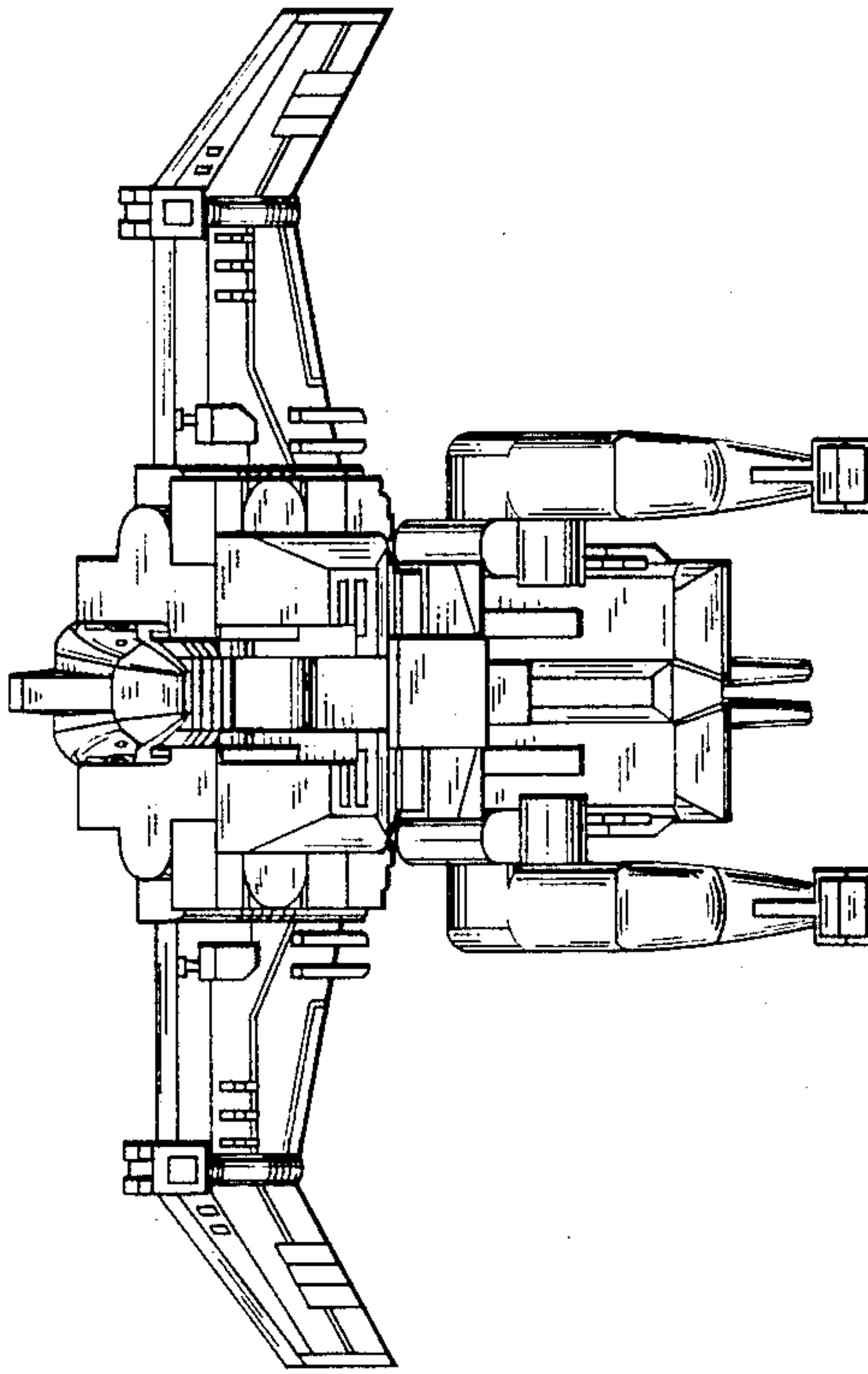


FIG. 1

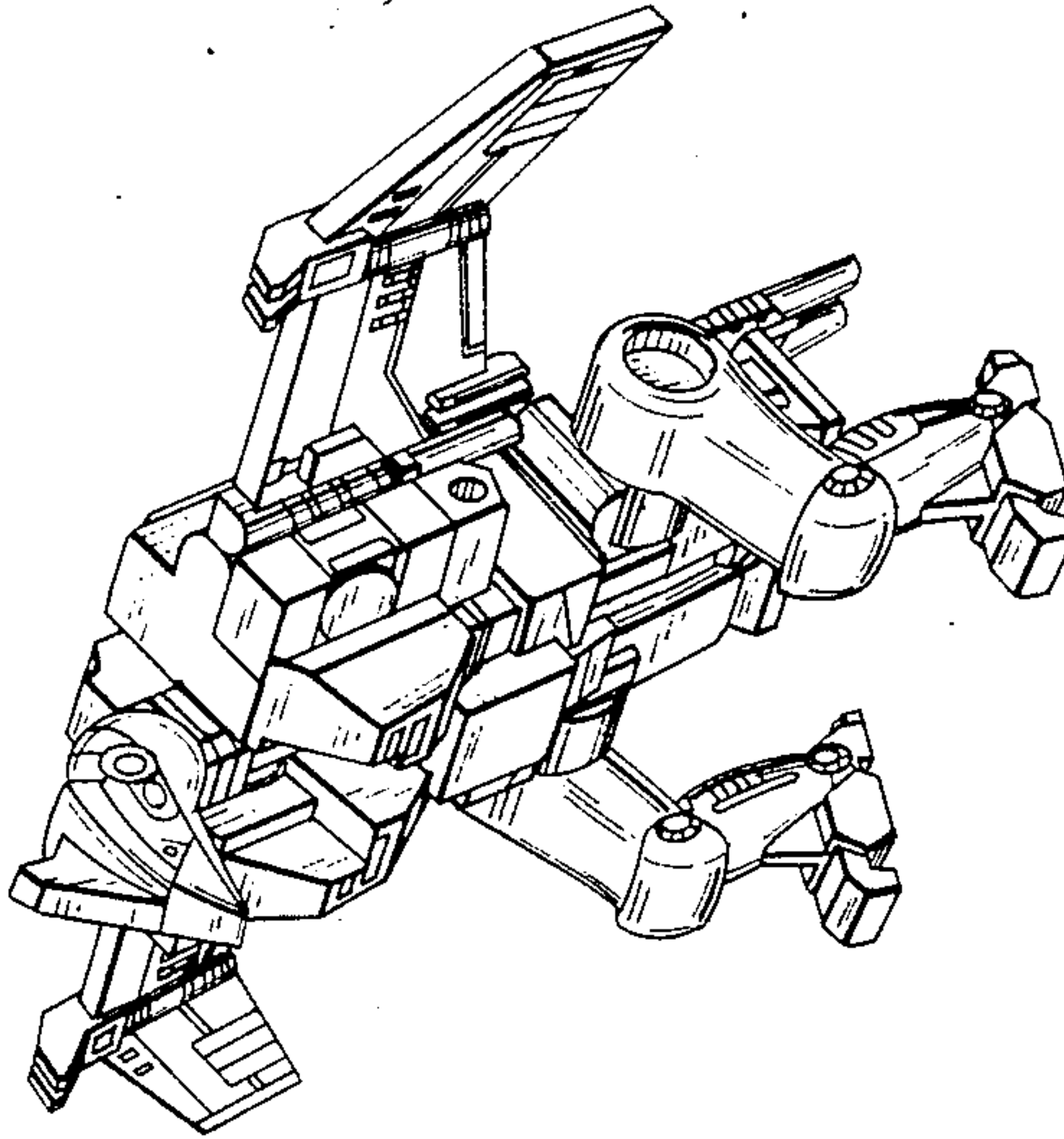


FIG. 4

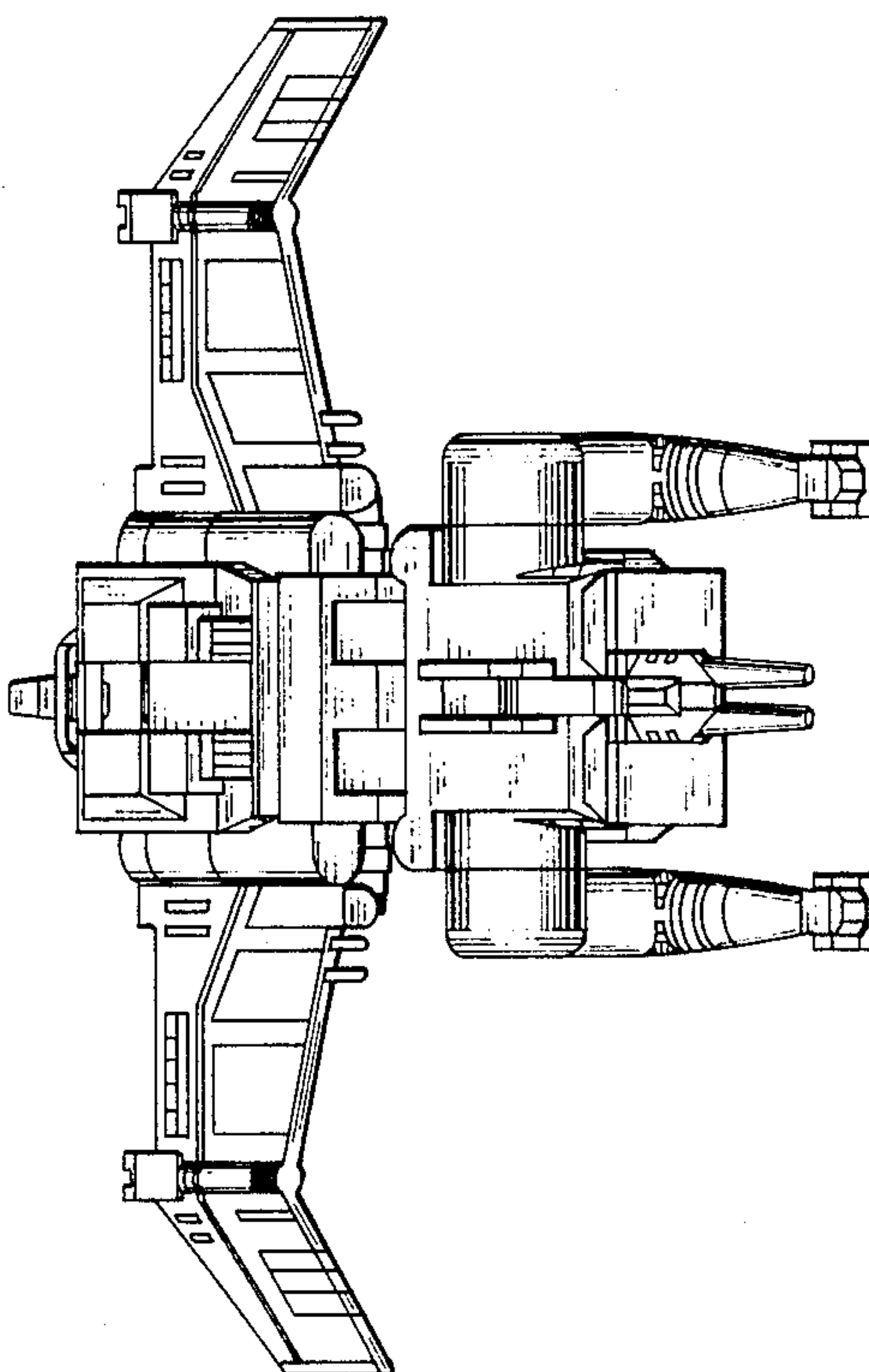


FIG. 3

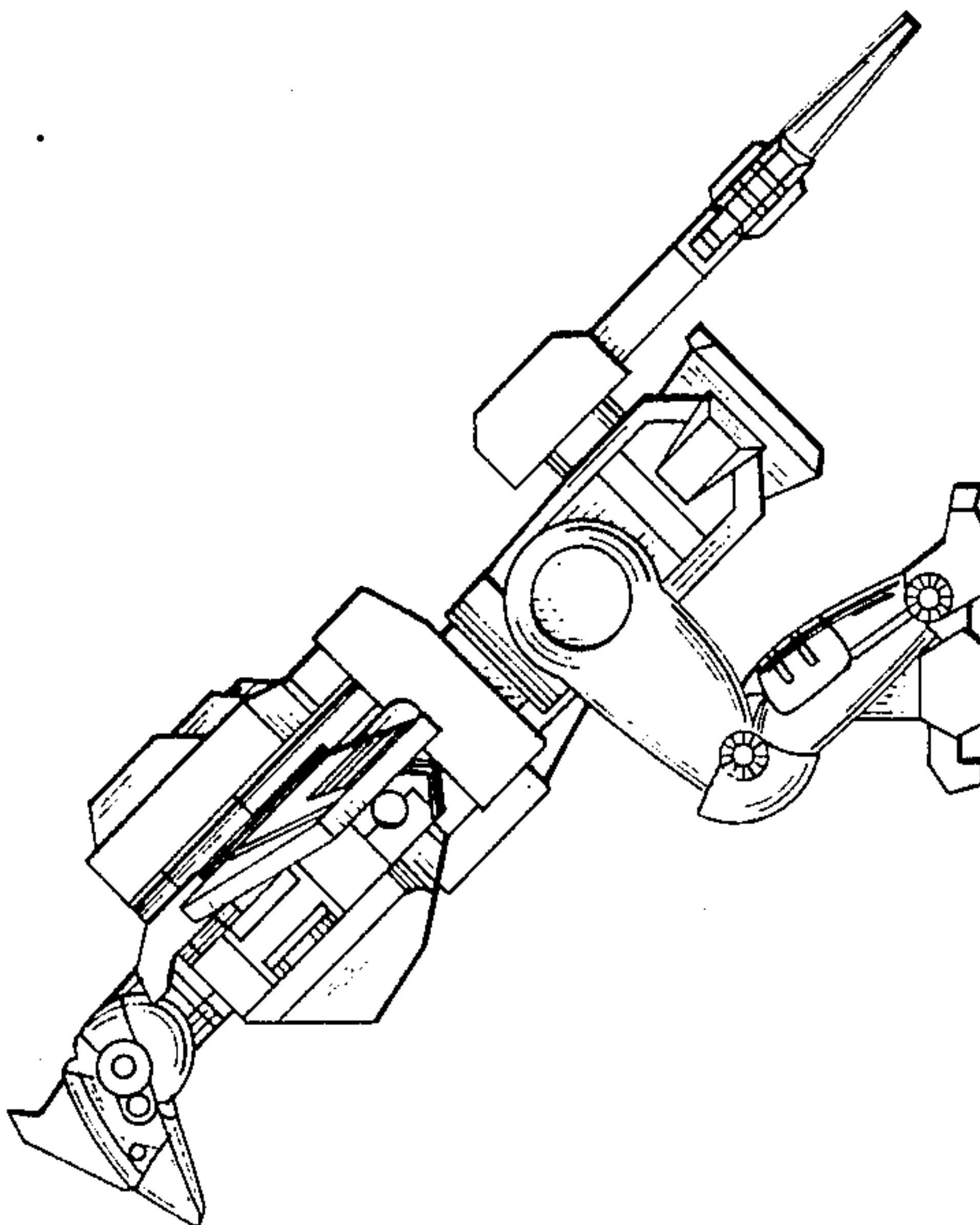


FIG. 5

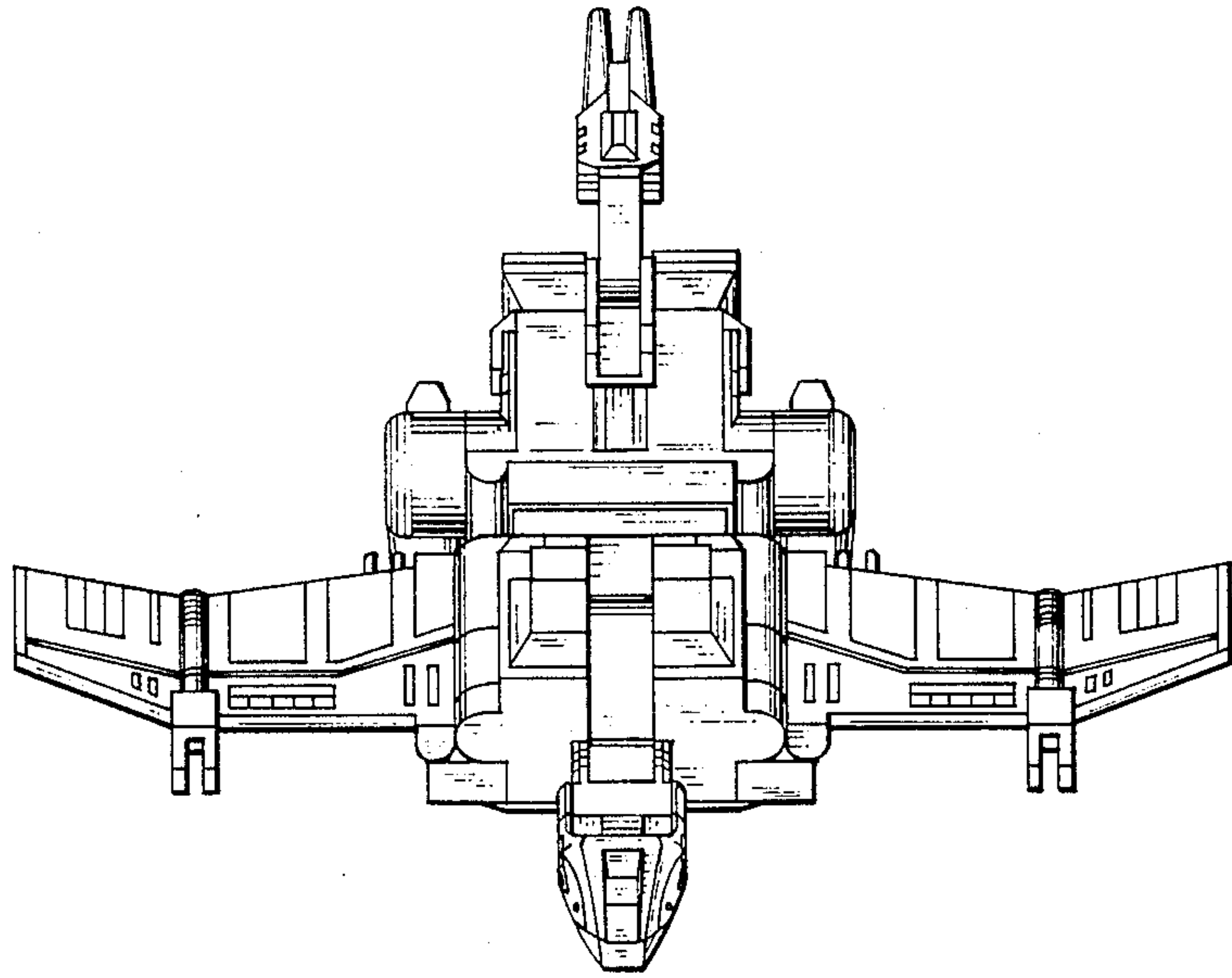


FIG. 6

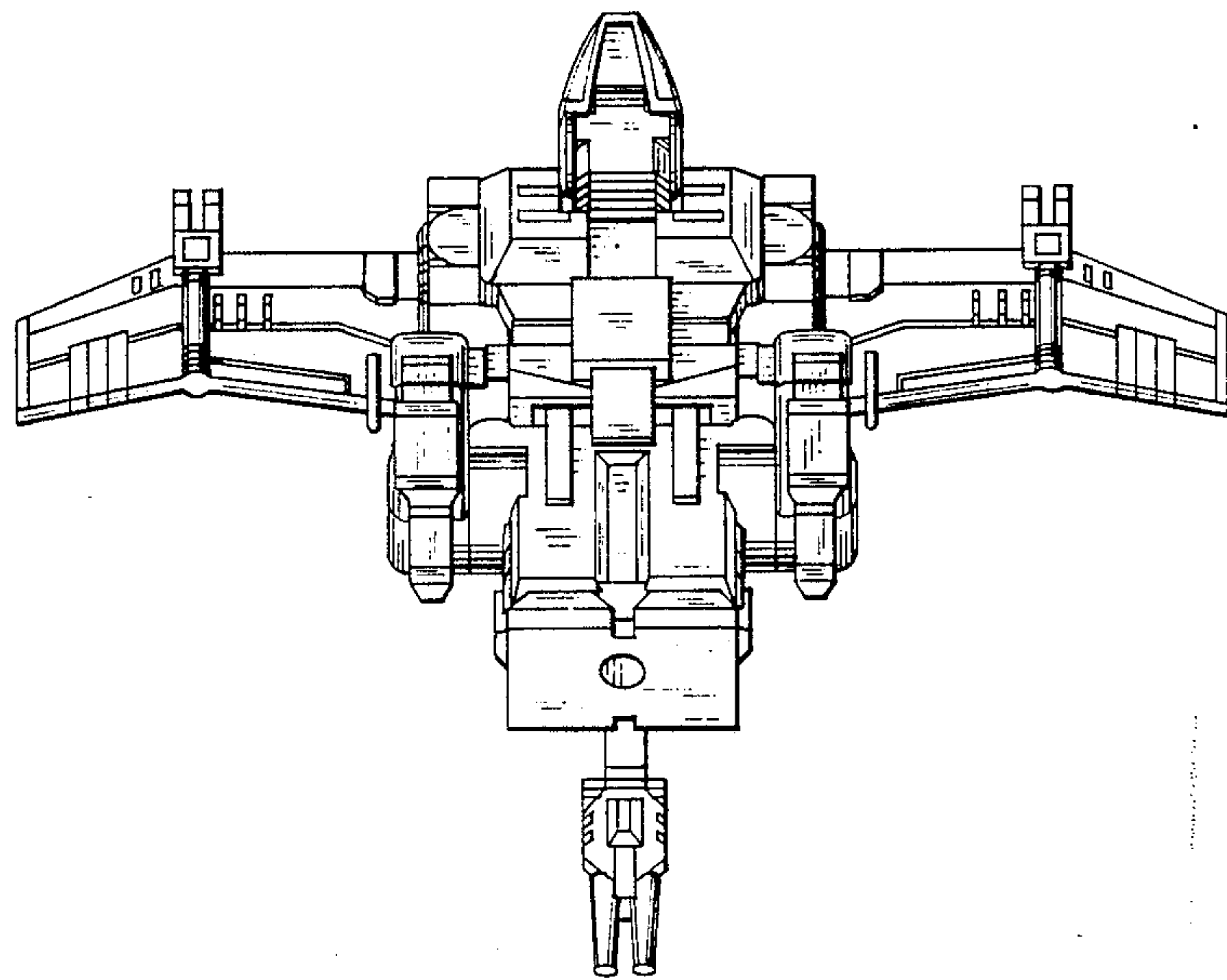


FIG. 9

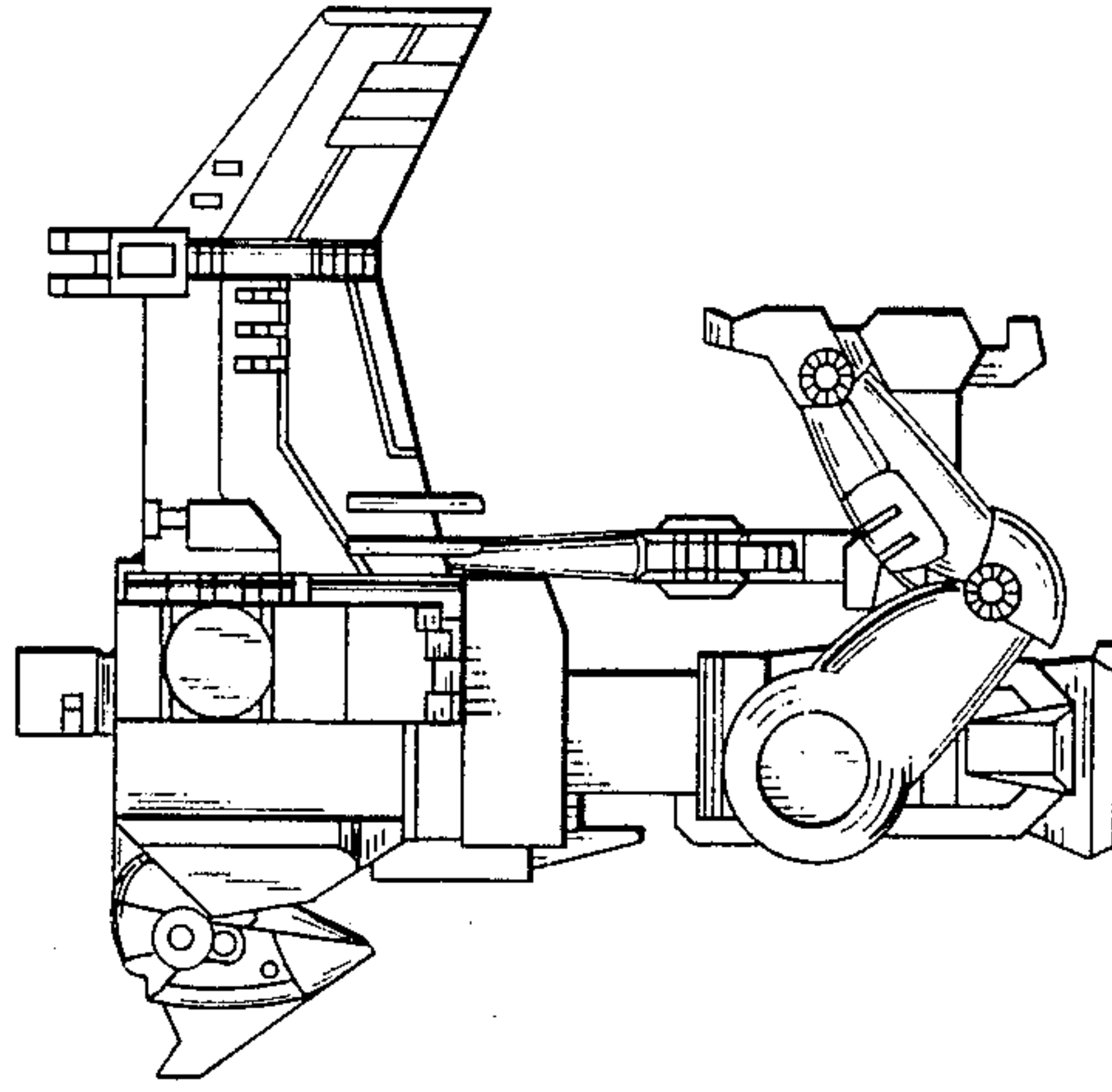


FIG. 8

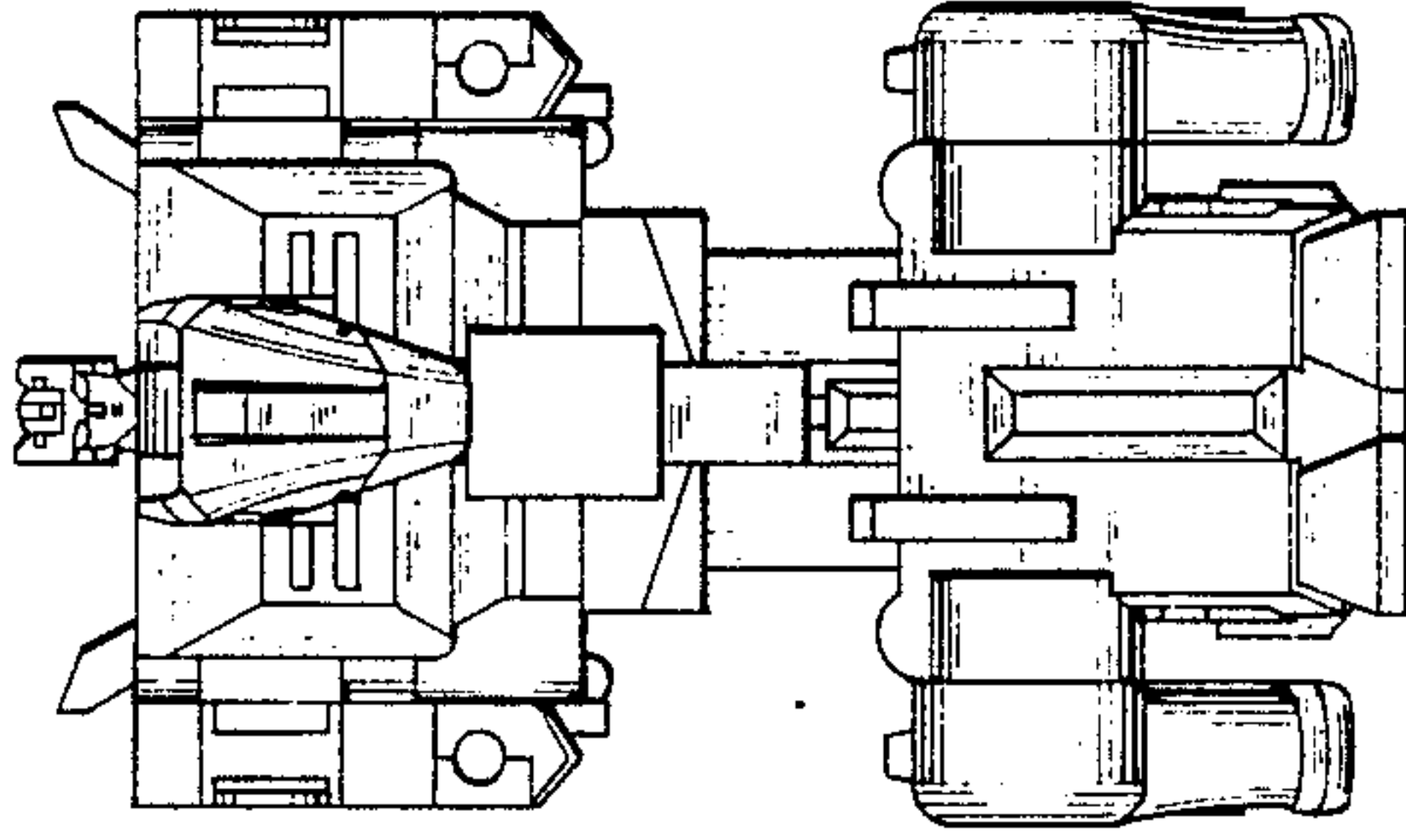


FIG. 7

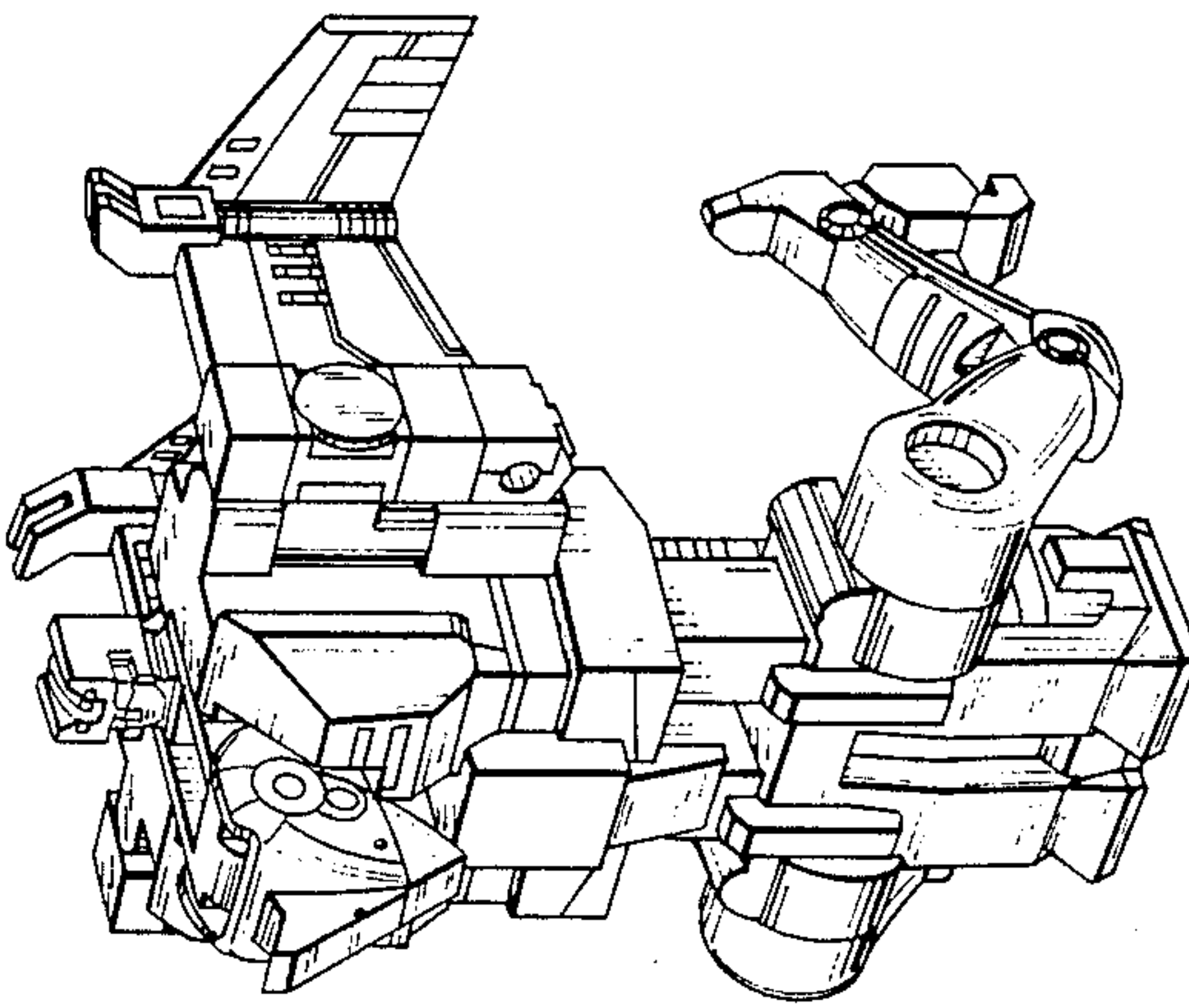


FIG. 10

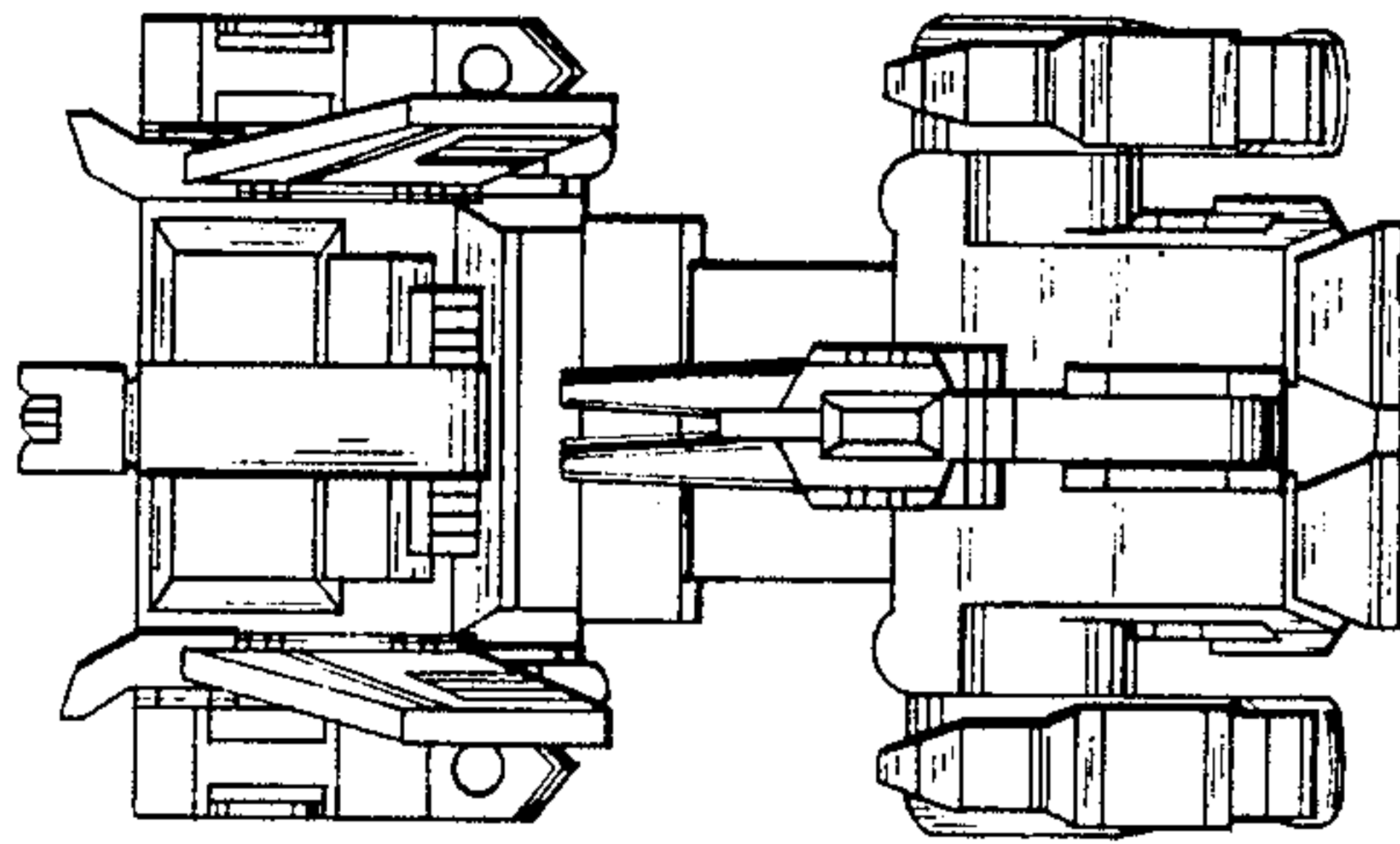


FIG. 11

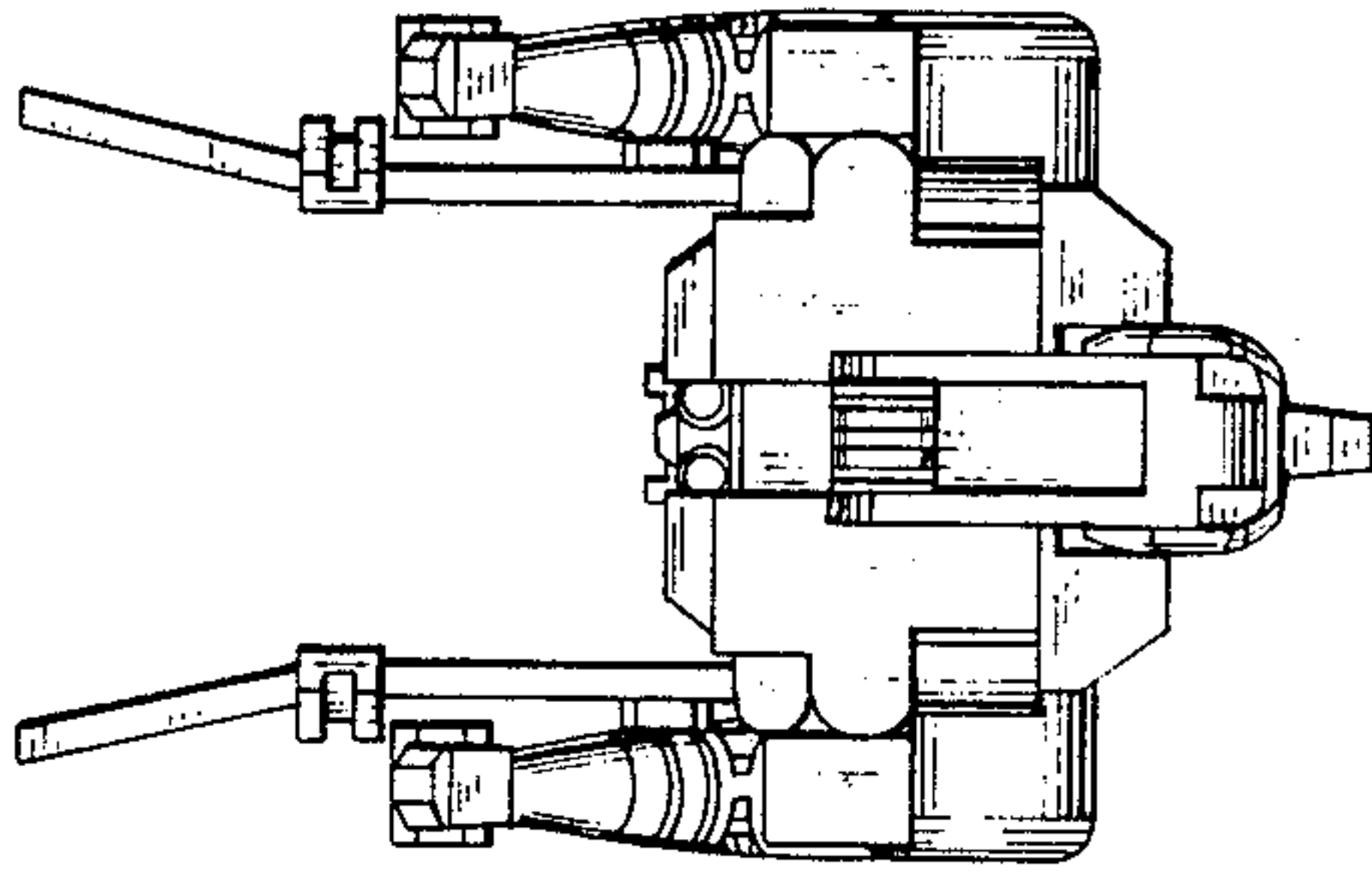


FIG. 12

