

[54] ROBOTIC-HUMANOID TOY ASSEMBLY

[75] Inventor: Daishirou Shibukawa, Matsudo, Japan

[73] Assignee: Takara Co., Ltd., Tokyo, Japan

[**] Term: 14 Years

[21] Appl. No.: 11,558

[22] Filed: Feb. 6, 1987

[30] Foreign Application Priority Data

Dec. 2, 1986 [JP] Japan 61-47700
[52] U.S. Cl. D21/150
[58] Field of Search D21/150; 273/376, 487, 273/97-100, 71-75

[56]

References Cited

U.S. PATENT DOCUMENTS

D. 286,420 10/1986 Ohno D21/150
D. 297,039 8/1988 Matsumoto D21/150

Primary Examiner—Melvin B. Feifer
Attorney, Agent, or Firm—Price, Gess & Ubell

[57]

CLAIM

The ornamental design for a robotic-humanoid toy assembly, as shown and described.

DESCRIPTION

FIG. 1 is a front perspective view of a robotic-humanoid toy assembly showing my new design; FIG. 2 is a front elevational view thereof; FIG. 3 is a right side elevational view thereof; FIG. 4 is a left side elevational view thereof; FIG. 5 is a rear elevational view thereof; FIG. 6 is a top plan view thereof; and FIG. 7 is a bottom plan view thereof.

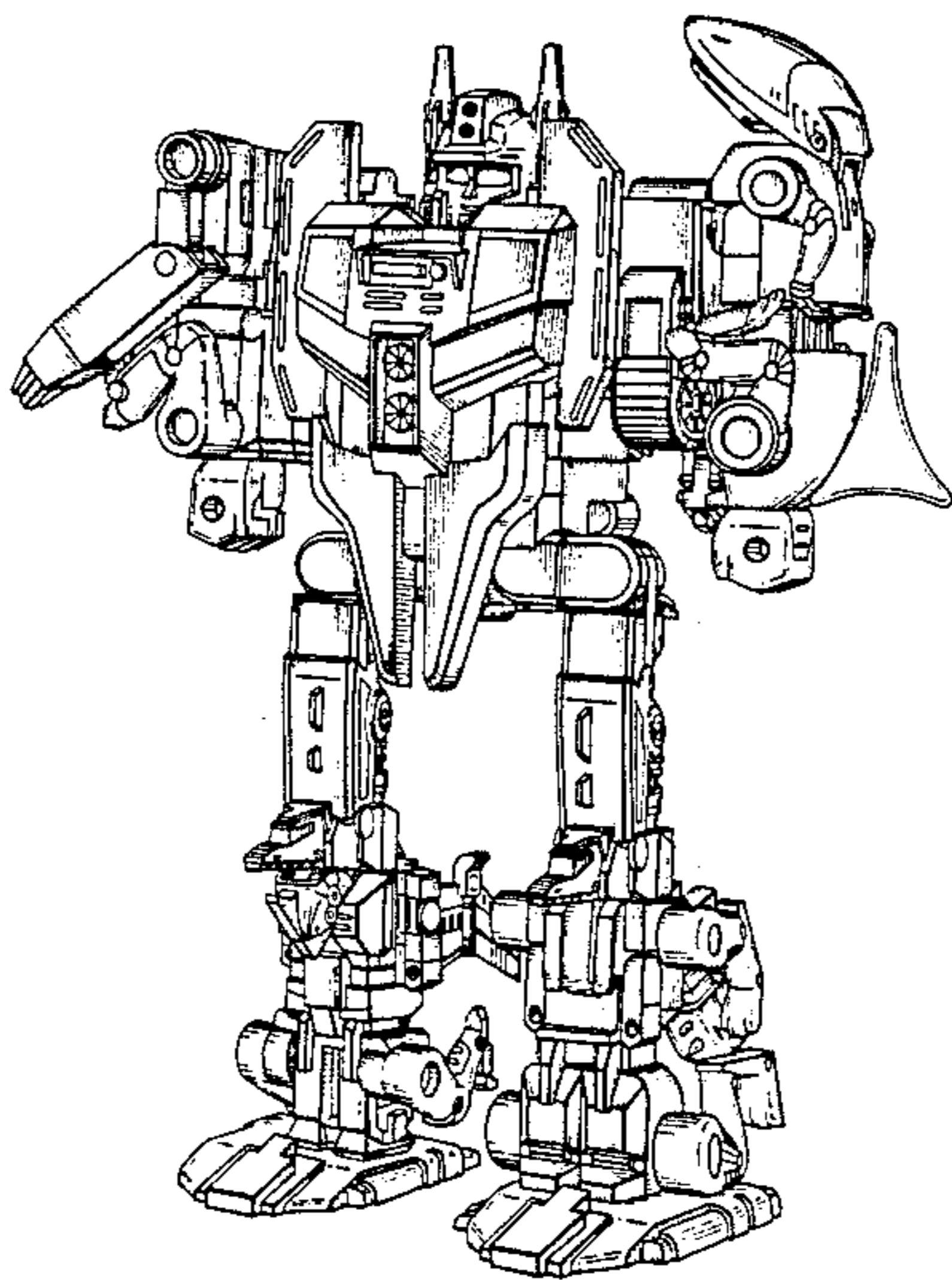


FIG. 1

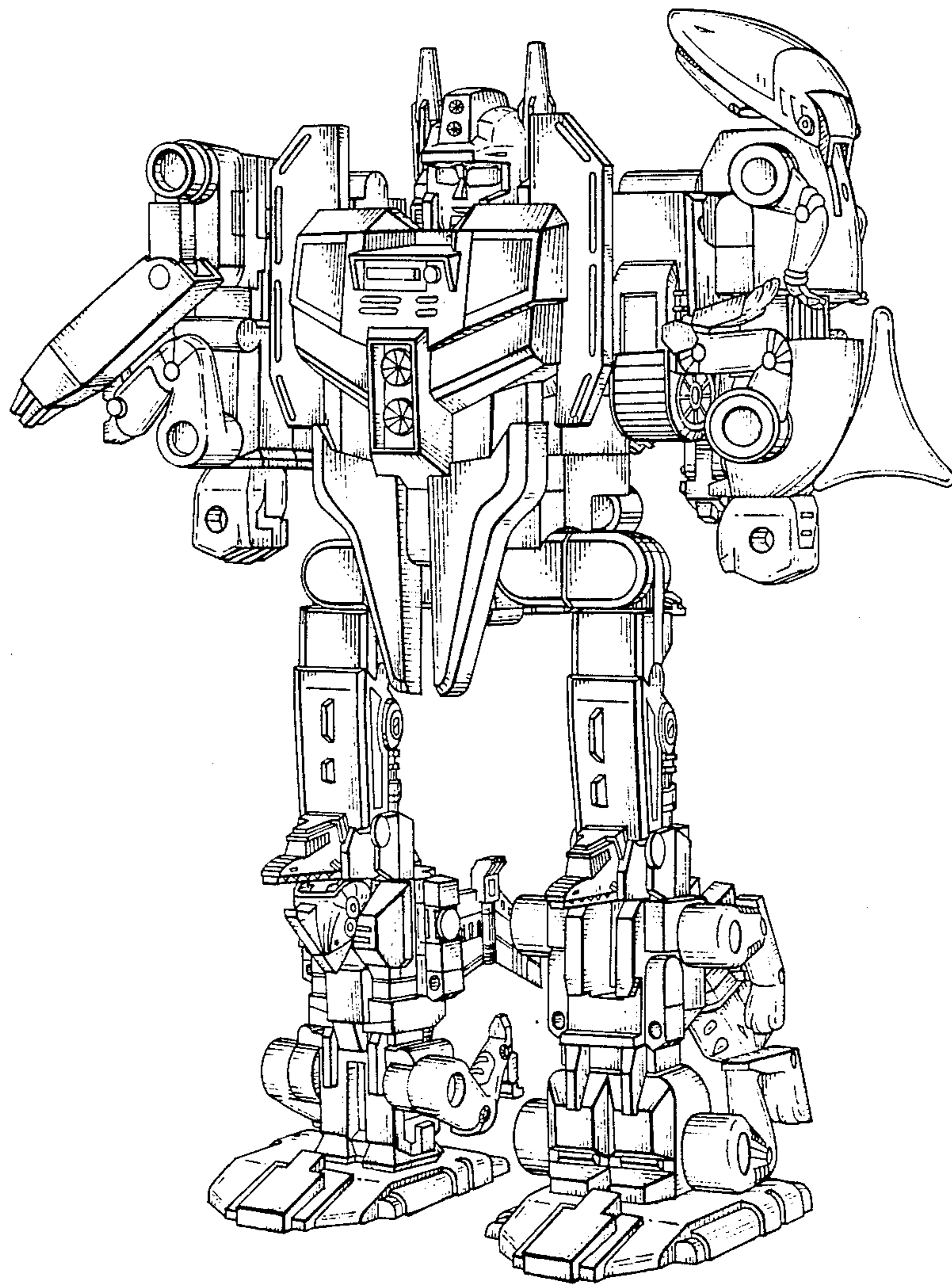


FIG. 2

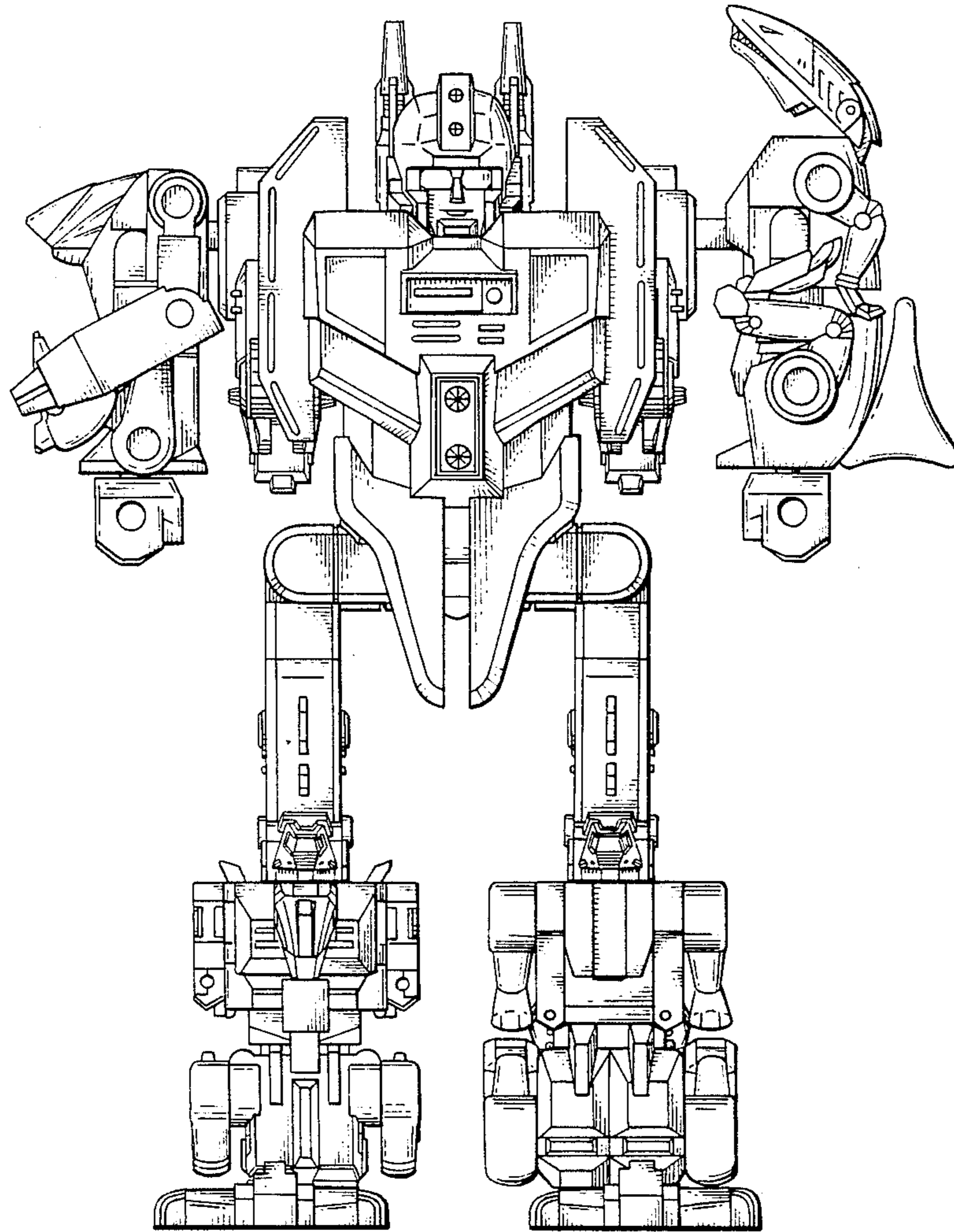


FIG. 3

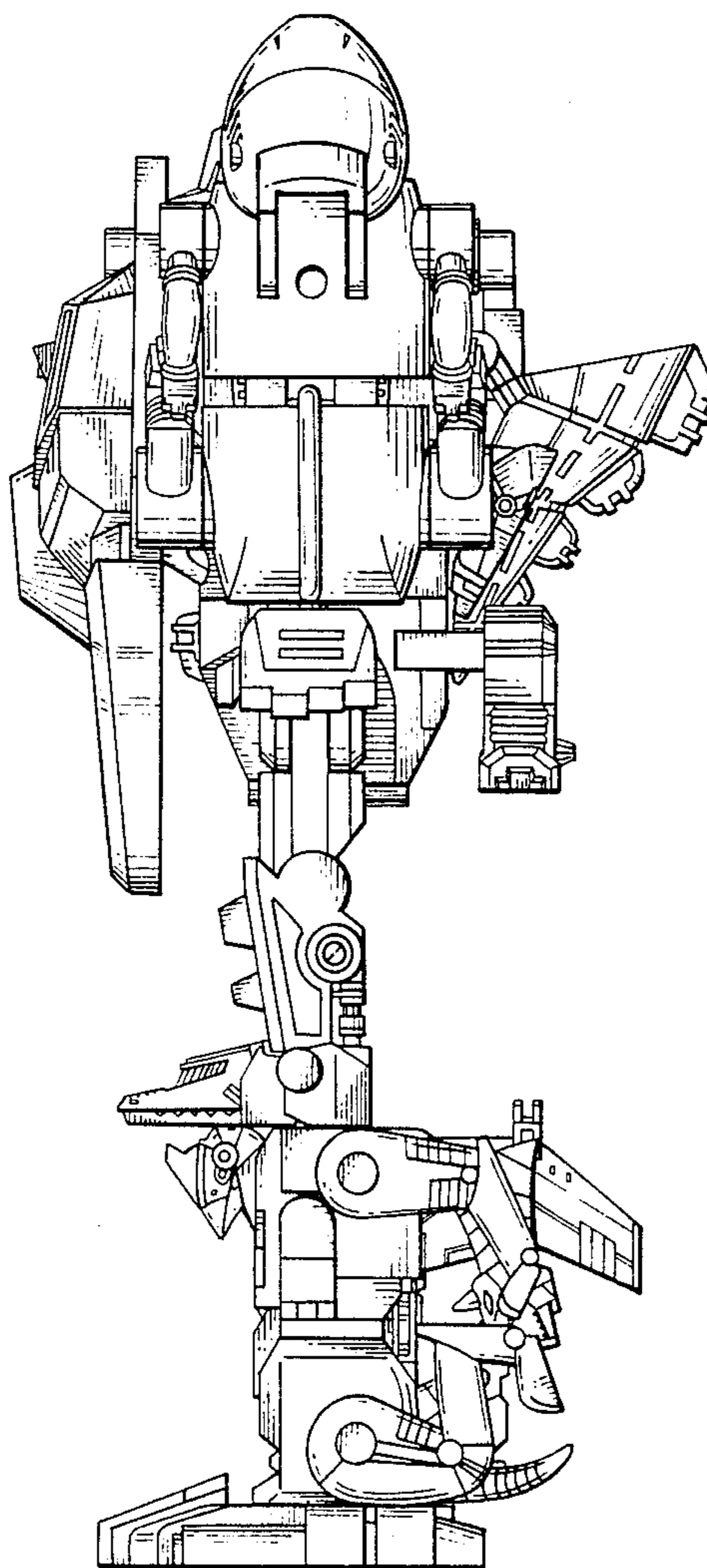


FIG. 4

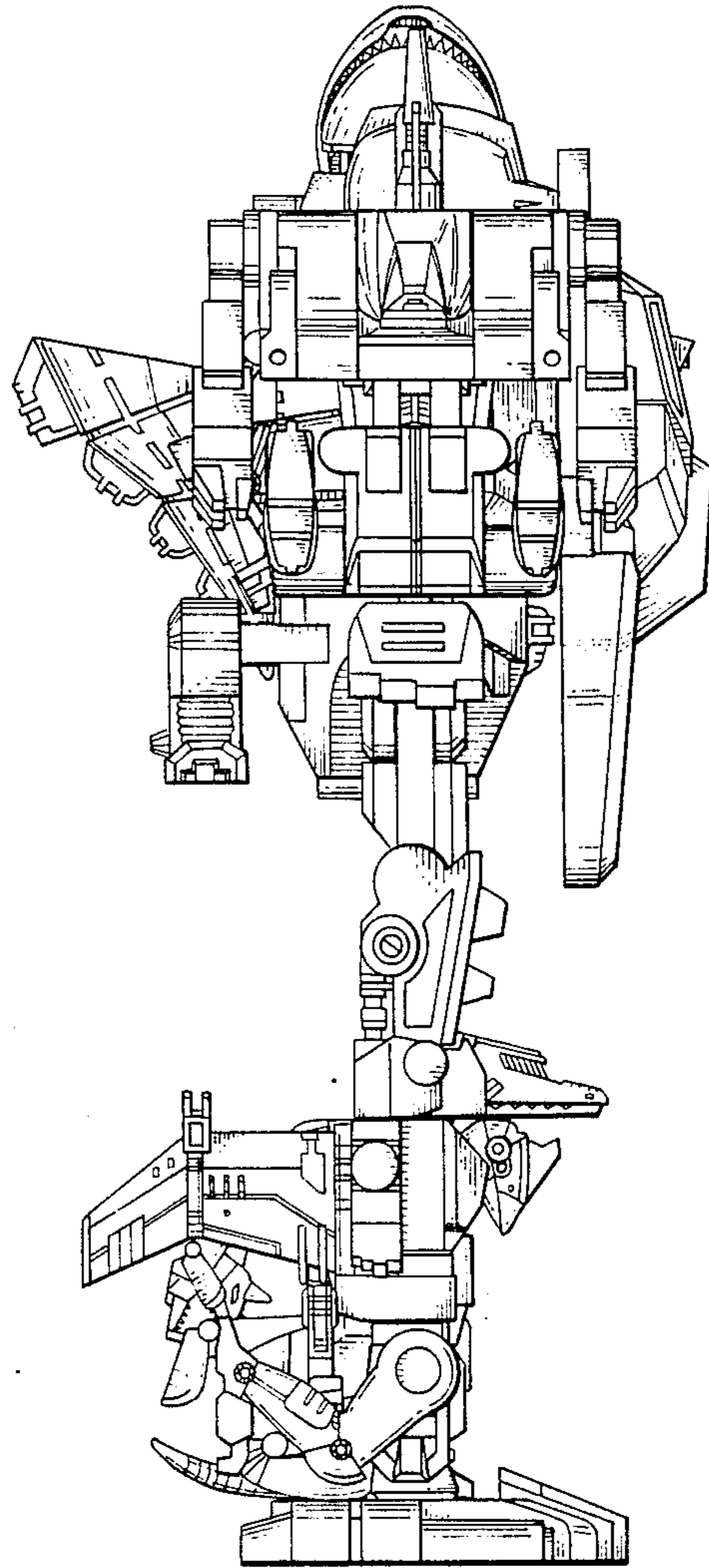


FIG. 5

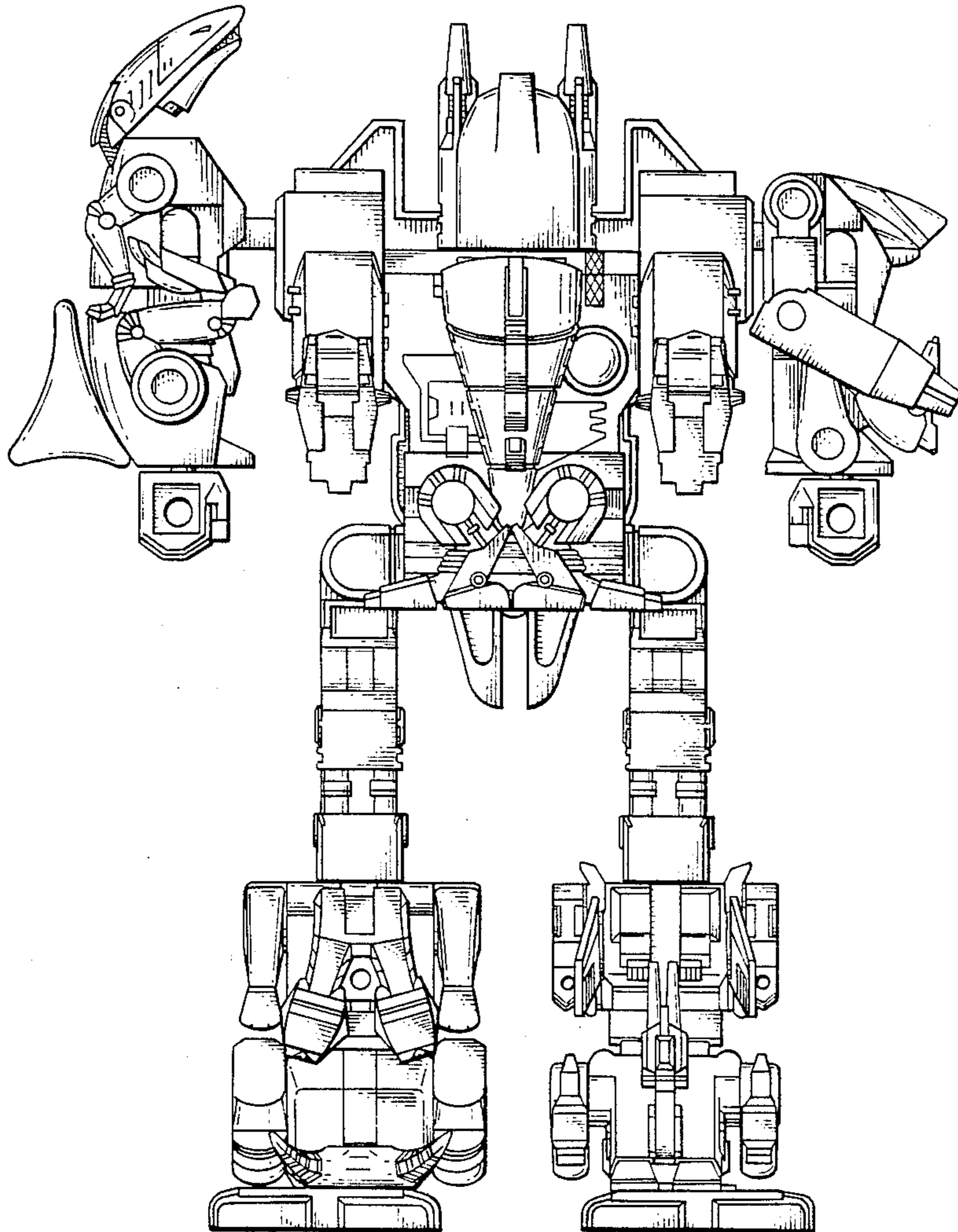


FIG. 6

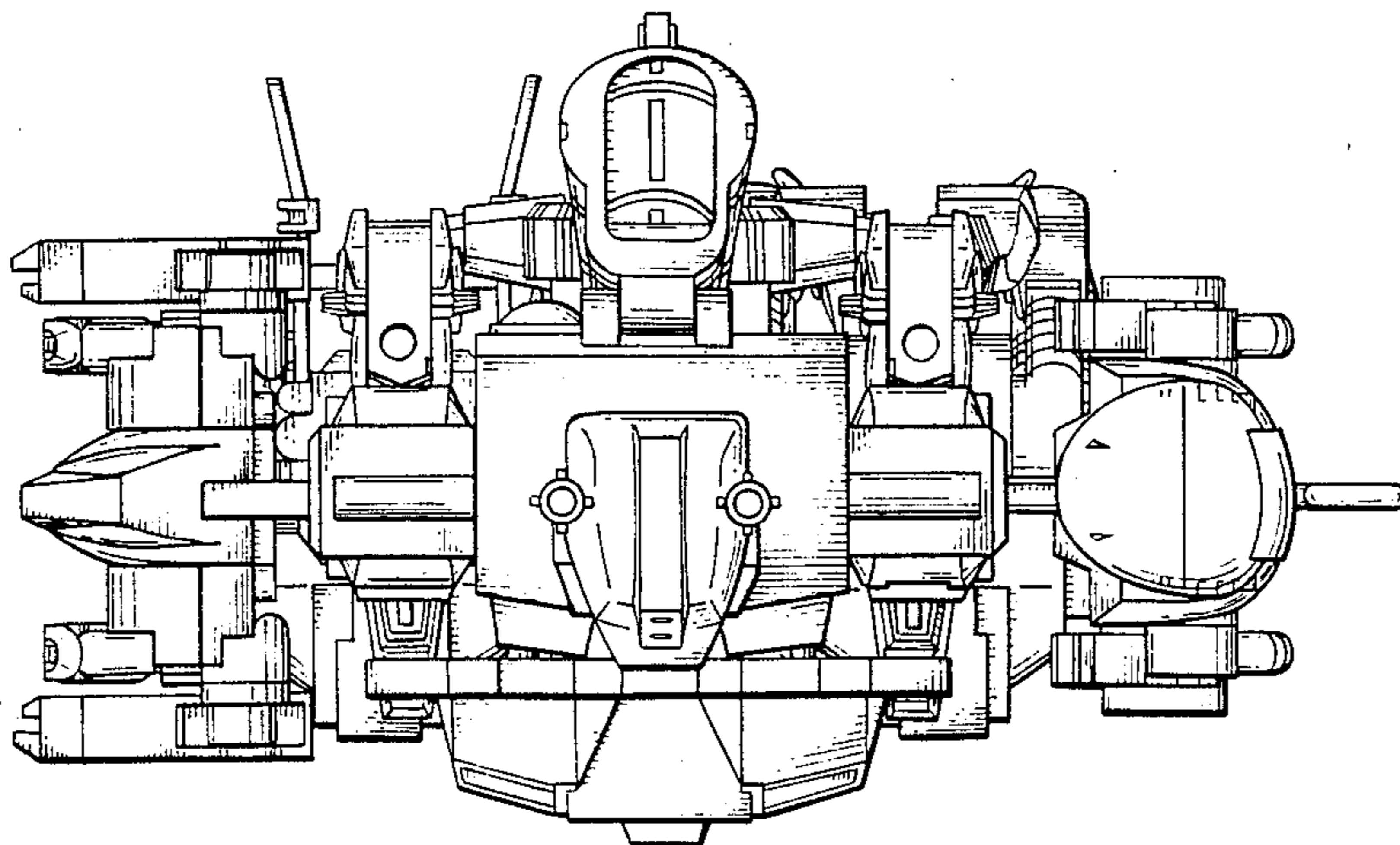


FIG. 7

